

[54] **STORM DOOR**

[76] **Inventor: Norma Collins, 4 Elm St., Peabody, Mass. 01960**

[\*\*] **Term: 14 Years**

[21] **Appl. No.: 465,911**

[22] **Filed: Feb. 14, 1983**

[52] **U.S. Cl. .... D25/48**

[58] **Field of Search ..... 52/455-458; 49/394, 489, 505, 399, 501; D25/48, 52**

[56]

**References Cited**

**U.S. PATENT DOCUMENTS**

D. 23,319	5/1894	Phillips .....	D25/48
D. 94,531	2/1935	Bemis .....	D25/48
3,024,501	3/1962	McPhail .....	D25/48 X
3,727,664	4/1973	Mennuto .....	D25/48 X

*Primary Examiner*—A. Hugo Word

[57]

**CLAIM**

The ornamental design for a storm door, as shown.

**DESCRIPTION**

FIG. 1 is a front view of the door;  
FIG. 2 is a side view of the door taken from the right of FIG. 1;  
FIG. 3 is a top view of the door taken from the bottom of FIG. 1.

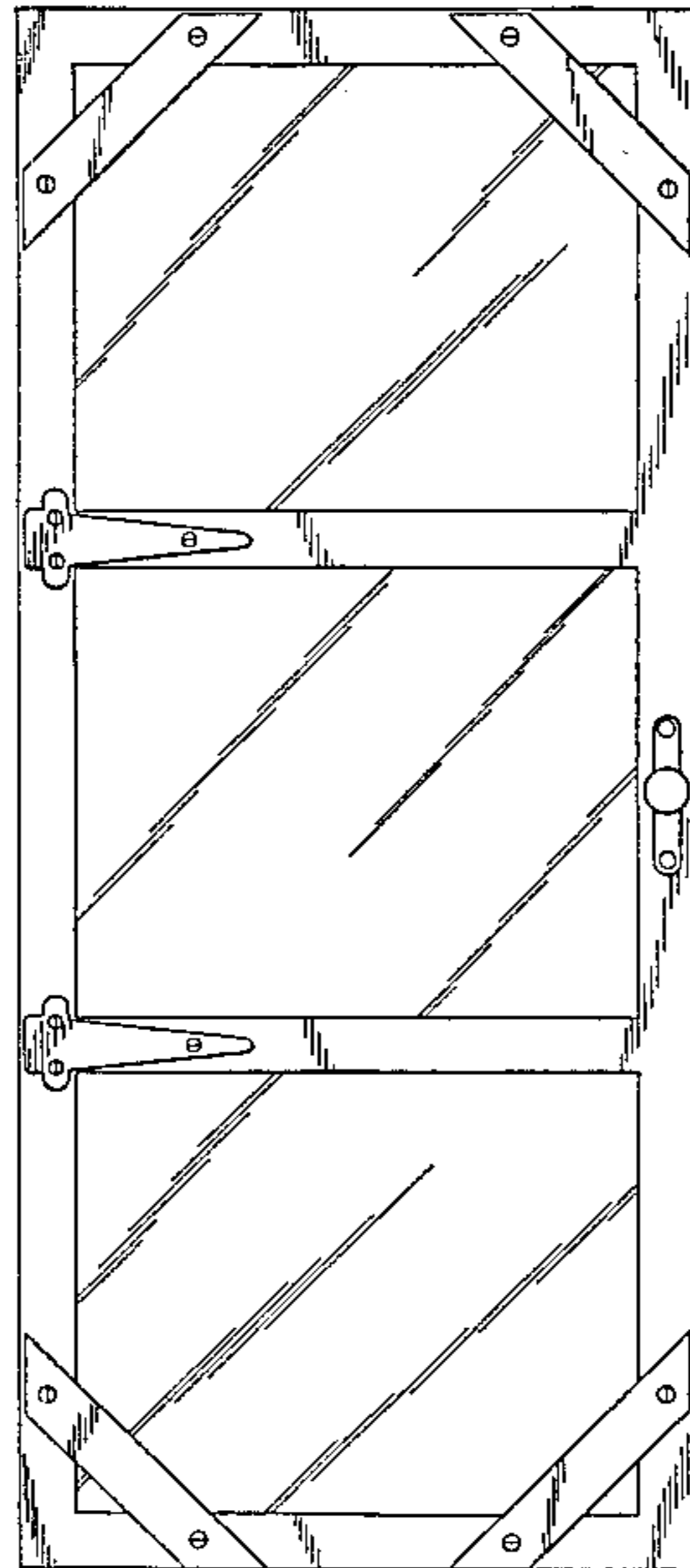


FIG 1

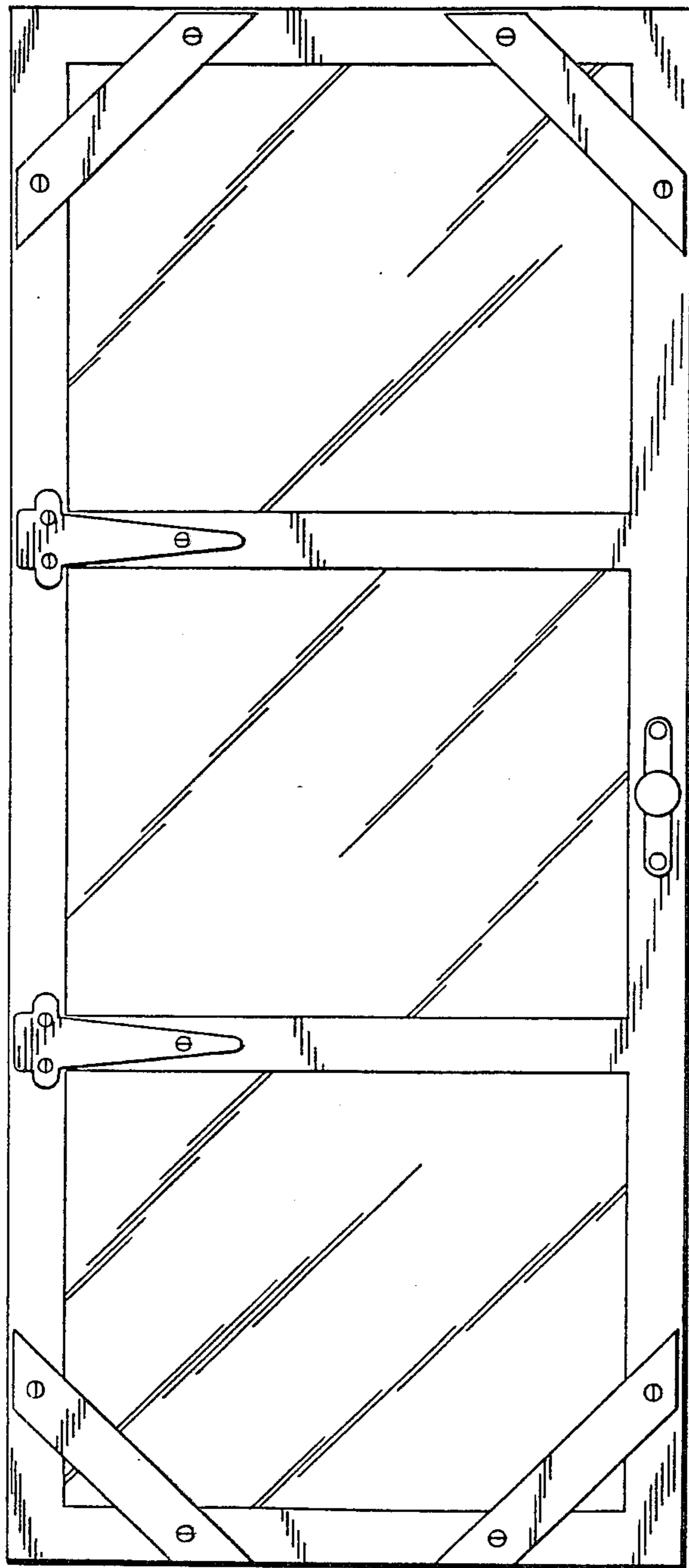


FIG 2

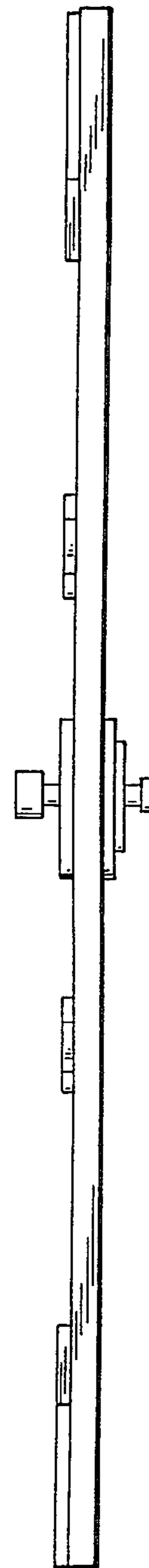


FIG 3

