

[54] OPTHALMIC CAMERA

3,762,803 10/1973 Papritz 351/206
4,192,591 3/1980 Yabaccio 354/62

[75] Inventor: Richard H. Seager, W. Mystic, Conn.

Primary Examiner—A. Hugo Word
Assistant Examiner—Stella Reid
Attorney, Agent, or Firm—Alan H. Spencer; Stephen Raines

[73] Assignee: Warner Lambert Technologies, Inc., Tex.

[**] Term: 14 Years

[21] Appl. No.: 451,352

[22] Filed: Dec. 20, 1982

[52] U.S. Cl. D24/8; D24/1.1; D24/17

[58] Field of Search D24/1.1, 8, 17; D16/182; 351/206, 208; 354/62

[57] CLAIM

The ornamental design for an ophthalmic camera, as shown and described.

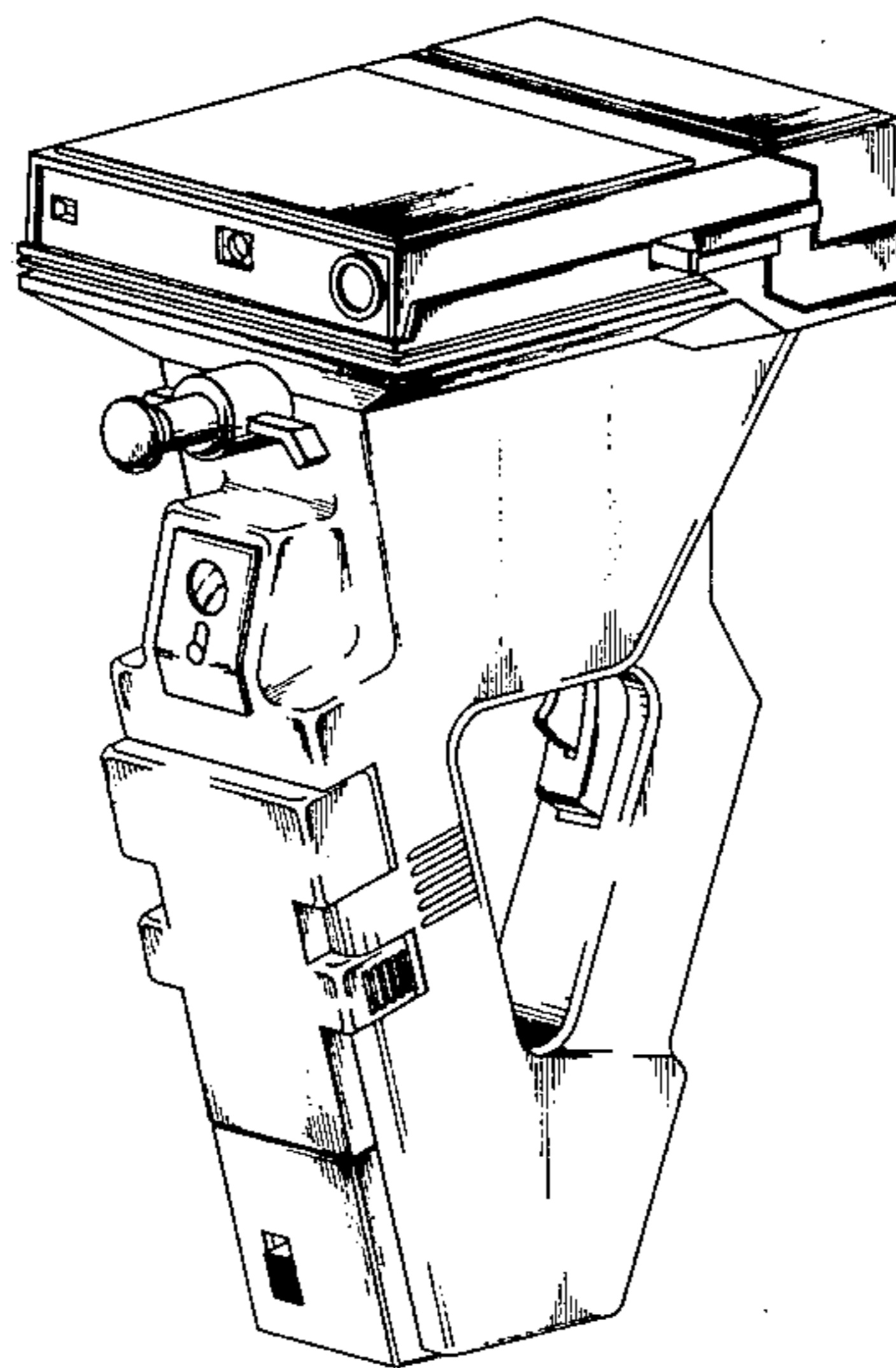
DESCRIPTION

FIG. 1 is a right front perspective view of an ophthalmic camera showing my new design; FIG. 2 is a front elevational view of the ophthalmic camera; FIG. 3 is a rear elevational view of the ophthalmic camera; FIG. 4 is a right side elevational view of the ophthalmic camera; FIG. 5 is a top plan view of the ophthalmic camera; and FIG. 6 is a bottom plan view of the ophthalmic camera.

[56] References Cited

U.S. PATENT DOCUMENTS

D. 246,188 10/1977 Jordan D24/17
D. 270,564 9/1983 Machida et al. D24/1.1
2,441,370 5/1948 Pearce 354/62
3,199,426 8/1965 Kuwahara et al. 354/62



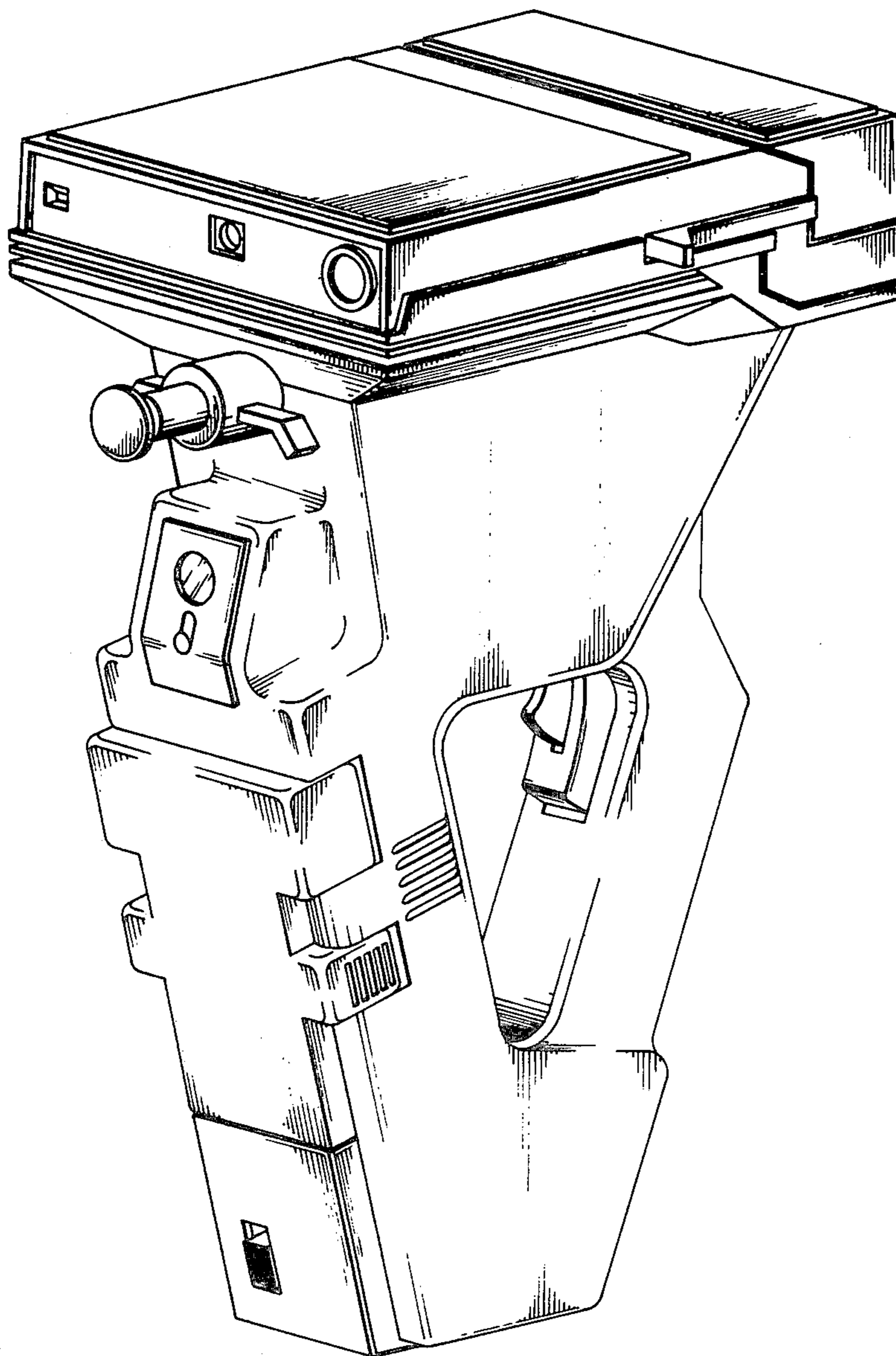


FIG. 1

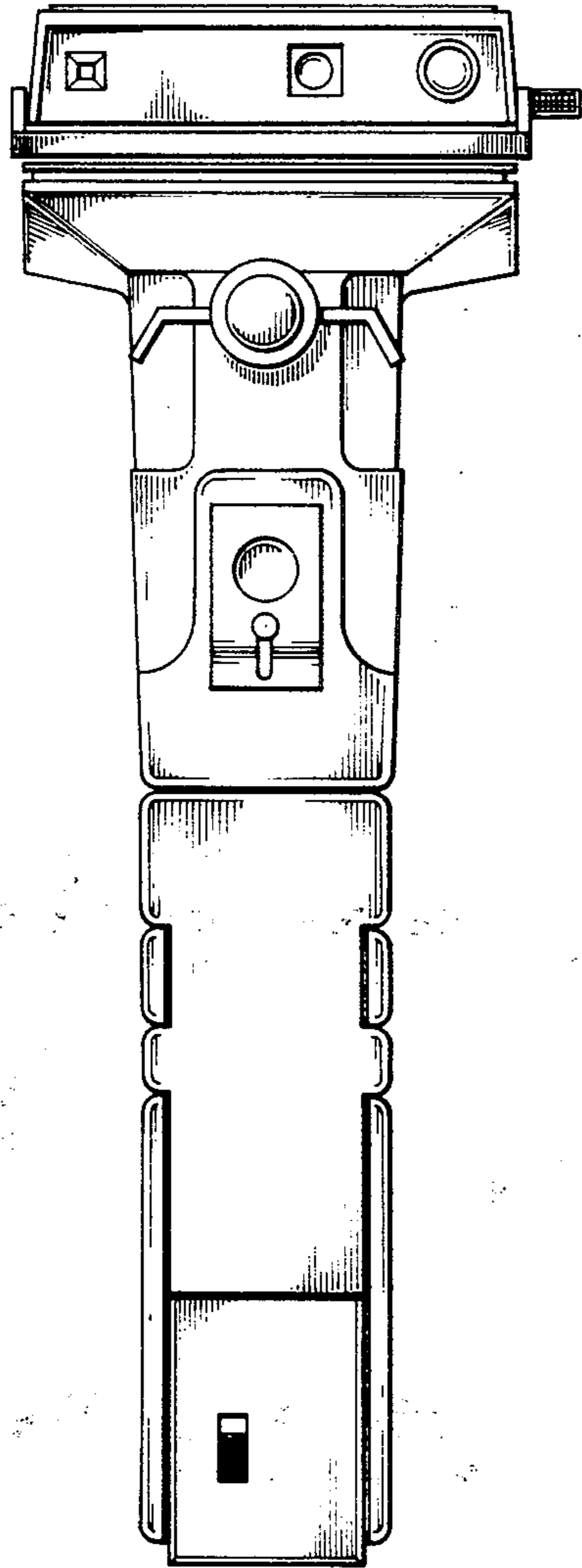


FIG. 2

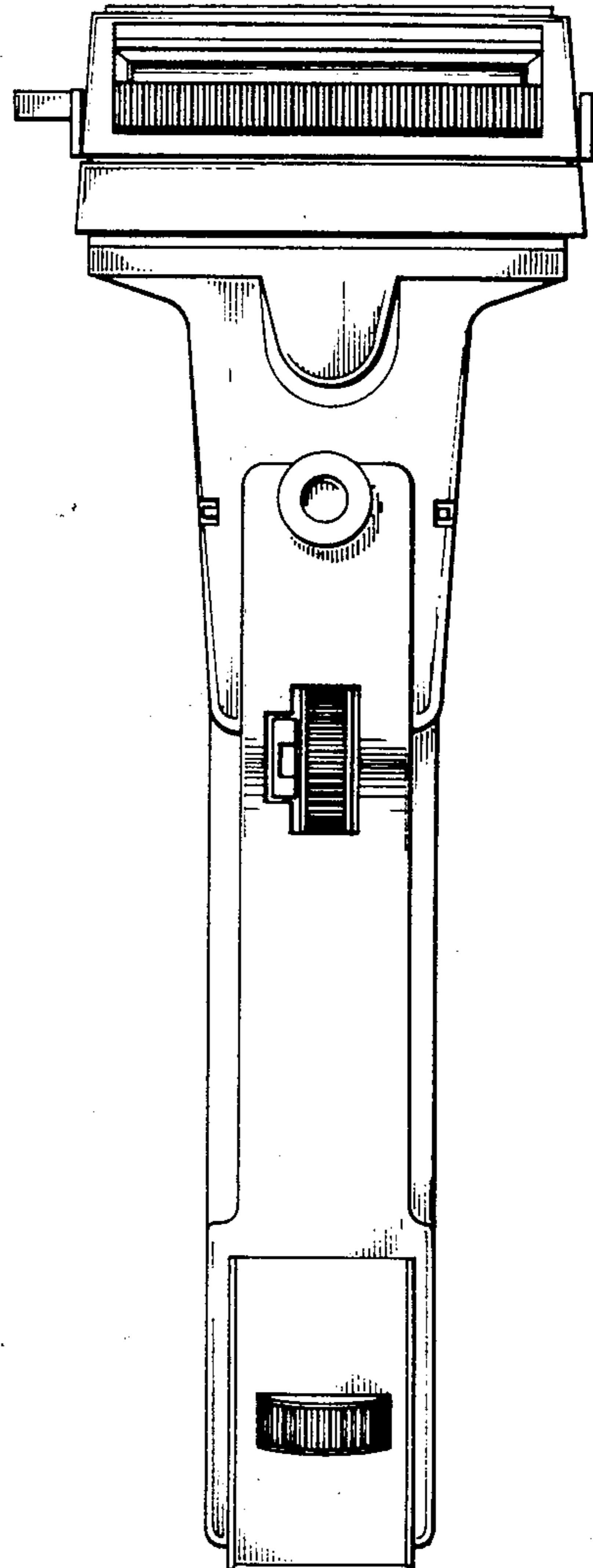


FIG. 3

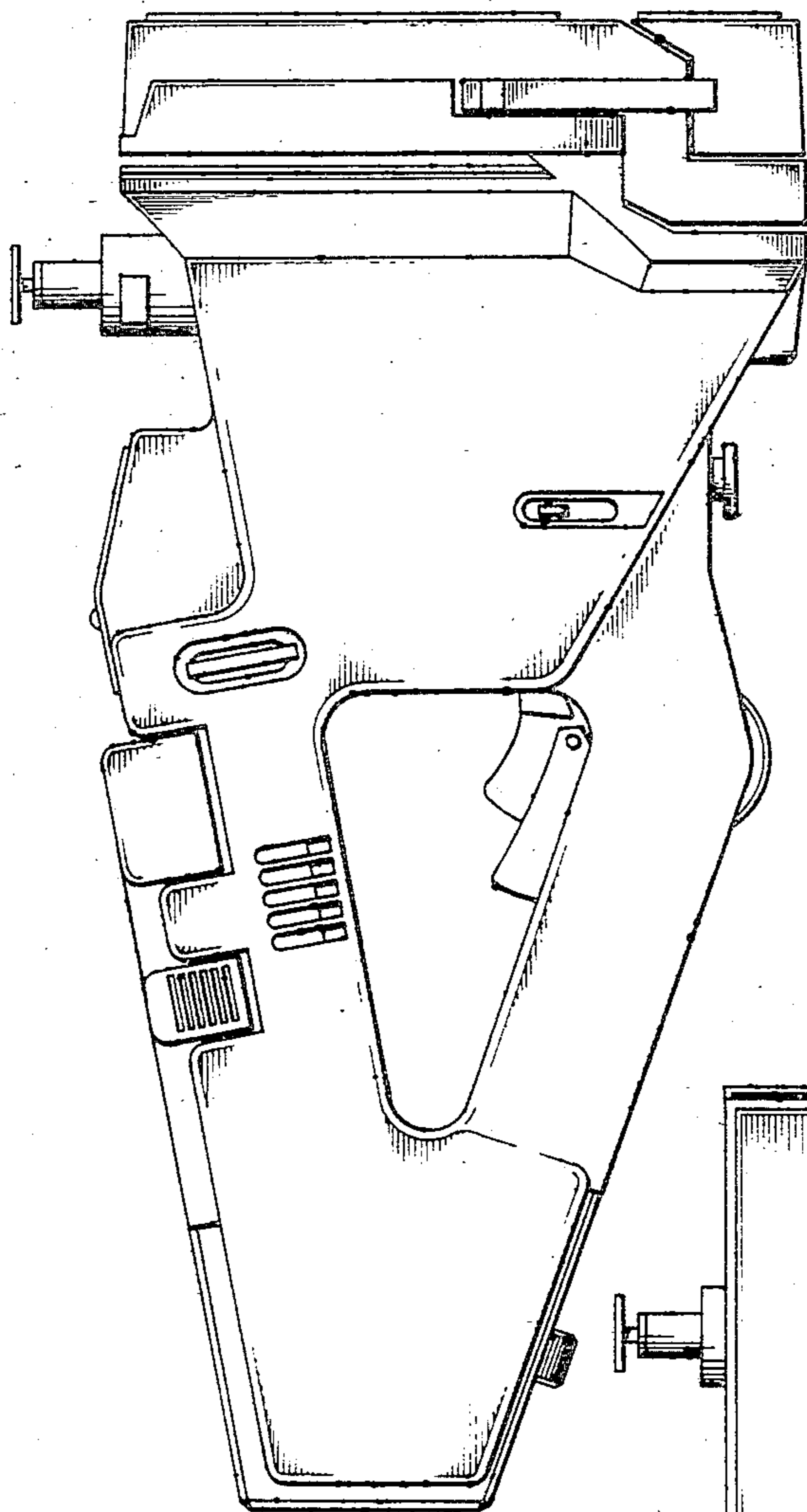


FIG. 4

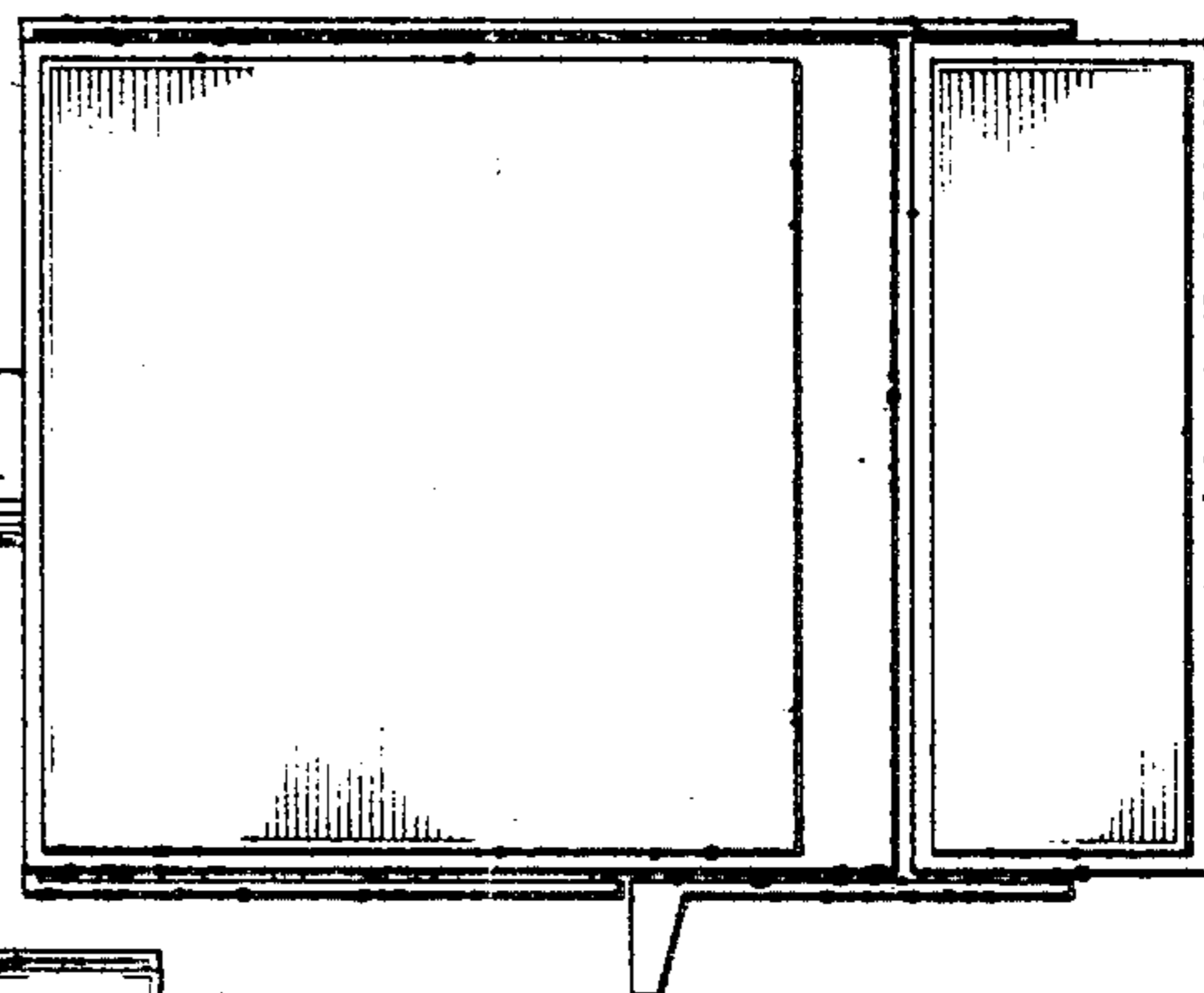


FIG. 5

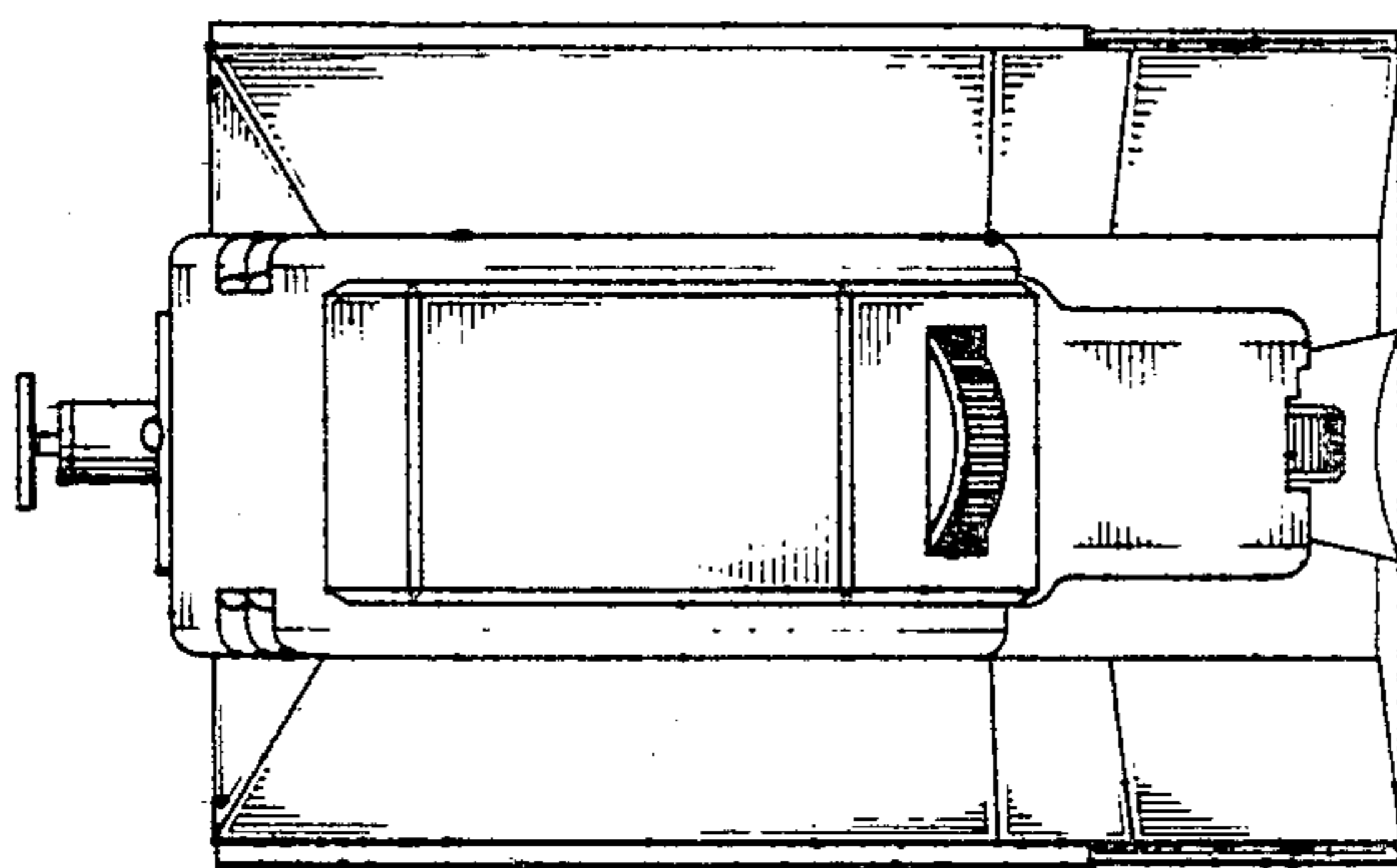


FIG. 6