

[54] FAUCET SET

[75] Inventor: Richard J. Paul, Los Angeles, Calif.

[73] Assignee: Paul Associates, Inc., Long Island City, N.Y.

[**] Term: 14 Years

[21] Appl. No.: 566,250

[22] Filed: Dec. 28, 1983

[52] U.S. Cl. D23/25

[58] Field of Search D23/23-32;
4/191, 192; 137/606, 801

[56] References Cited

U.S. PATENT DOCUMENTS

- D. 193,885 10/1962 Andrews D23/23
- D. 202,095 8/1965 Kelly D23/32
- D. 219,740 1/1971 Niemann D23/32
- D. 227,465 6/1973 Genaro et al. D23/23

- D. 227,467 6/1973 Genaro et al. D23/32
- D. 265,229 6/1982 Paul D23/25
- D. 271,514 11/1983 Paul D23/25
- D. 276,259 11/1984 Miller D23/25

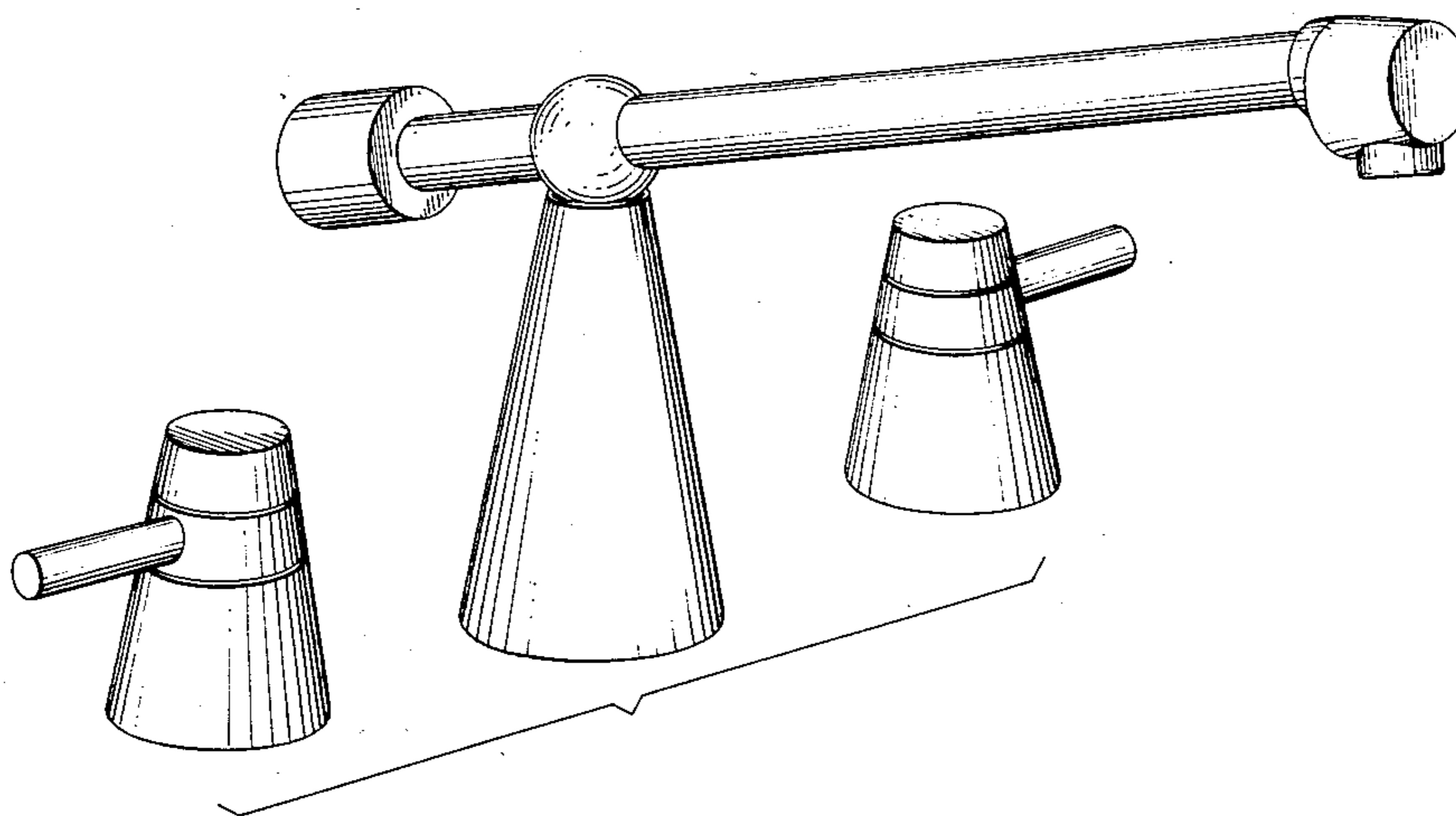
Primary Examiner—James R. Largen
Attorney, Agent, or Firm—Blum, Kaplan, Friedman,
Silberman & Beran

[57] CLAIM

The ornamental design for a faucet set, as shown and described.

DESCRIPTION

FIG. 1 is a perspective view taken from the top, front and left side of a faucet set showing my new design; FIG. 2 is a top plan view thereof; FIG. 3 is a front elevational view thereof; FIG. 4 is a right side elevational view thereof, the left side being a mirror image of the right side shown; FIG. 5 is a rear elevational view thereof; and FIG. 6 is a bottom plan view thereof.



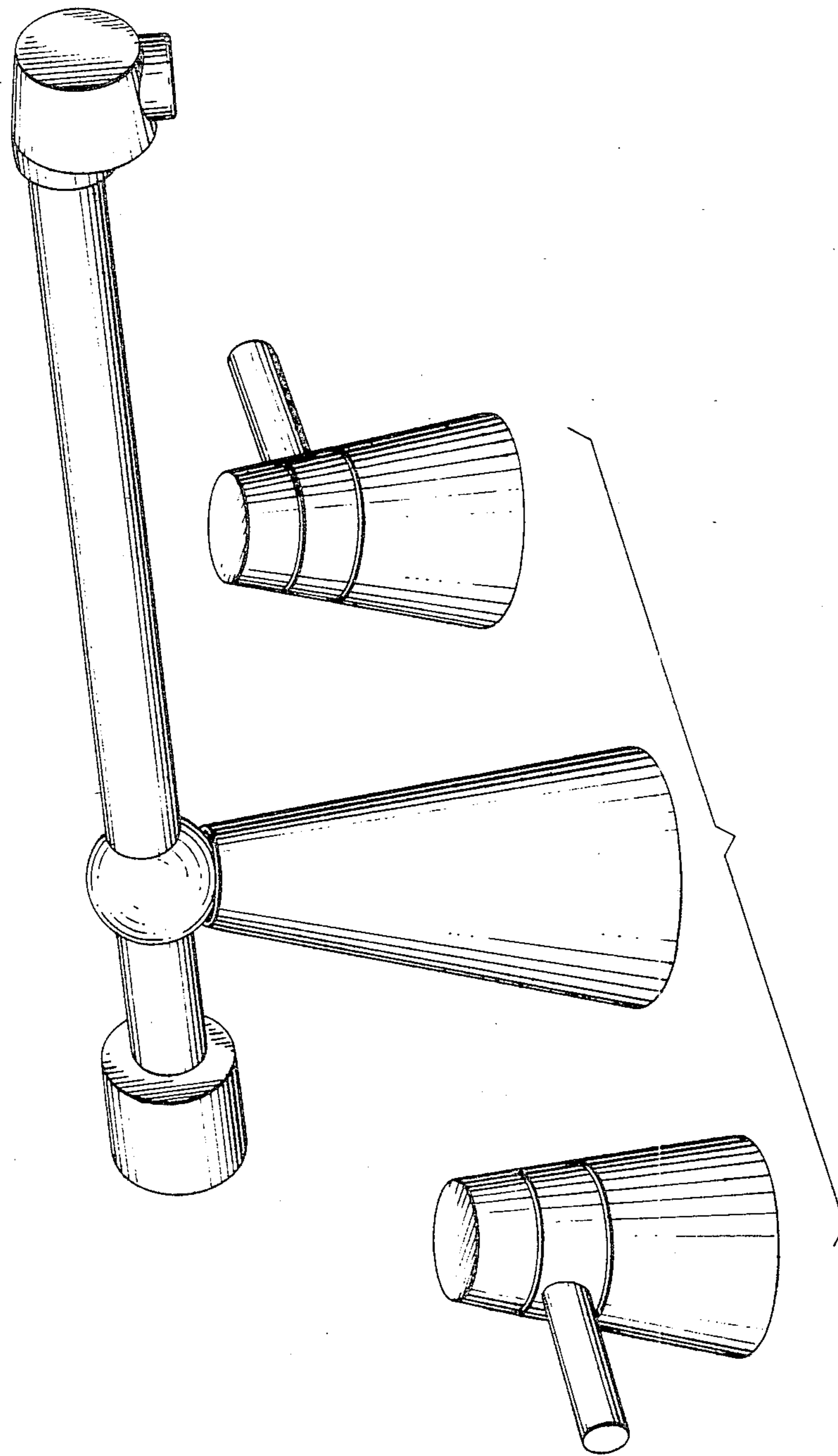


FIG. 1

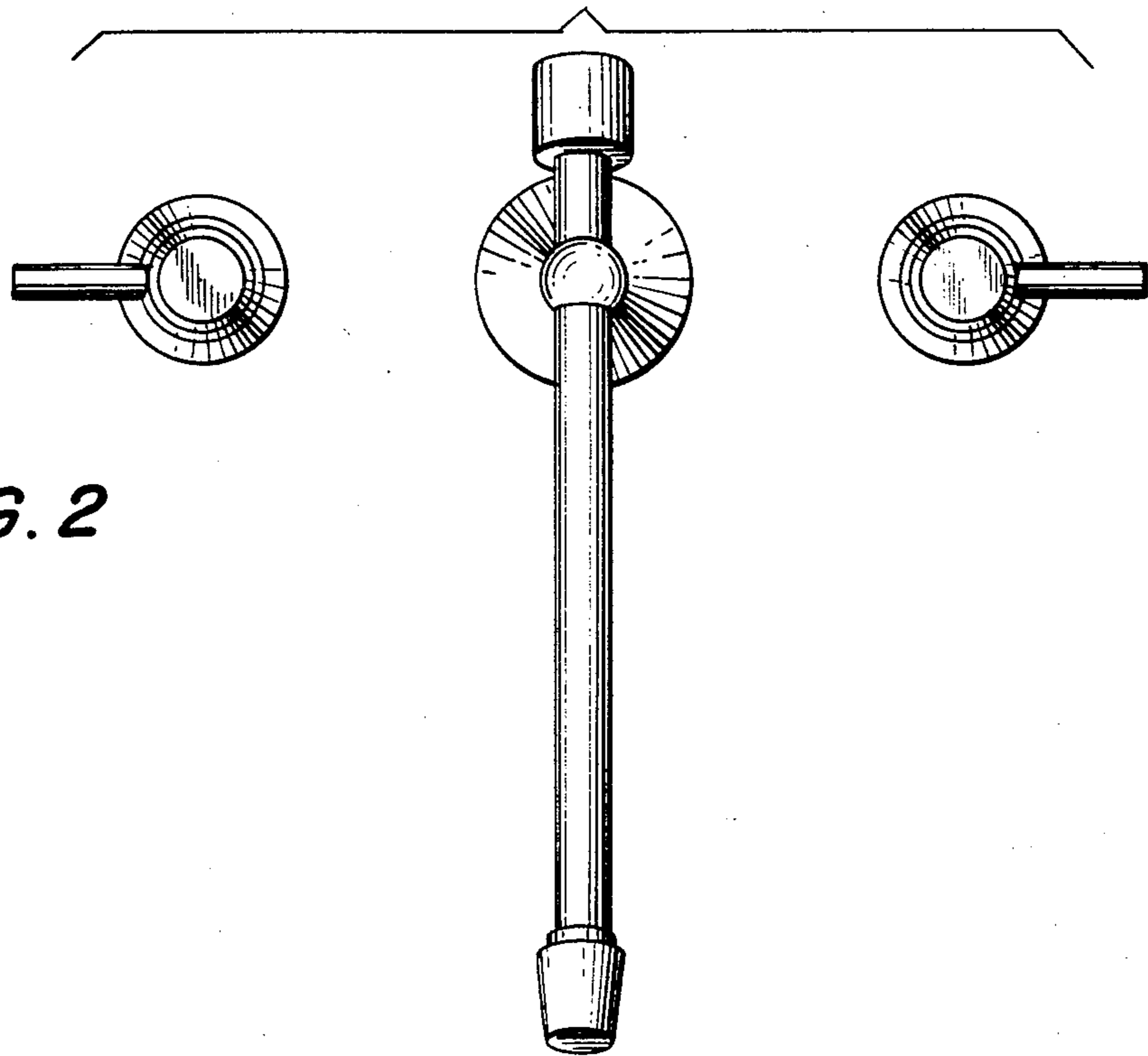


FIG. 2

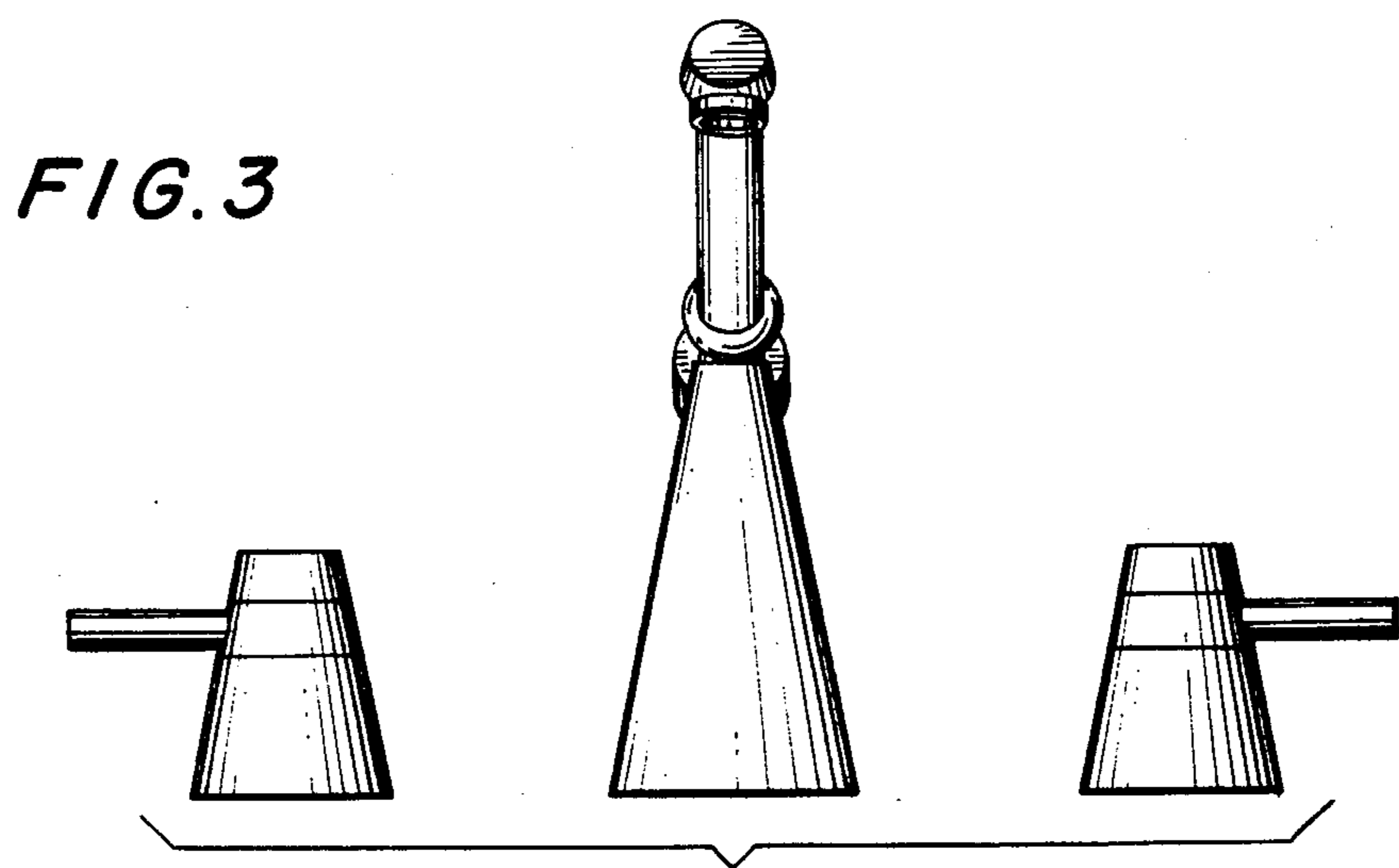


FIG. 3

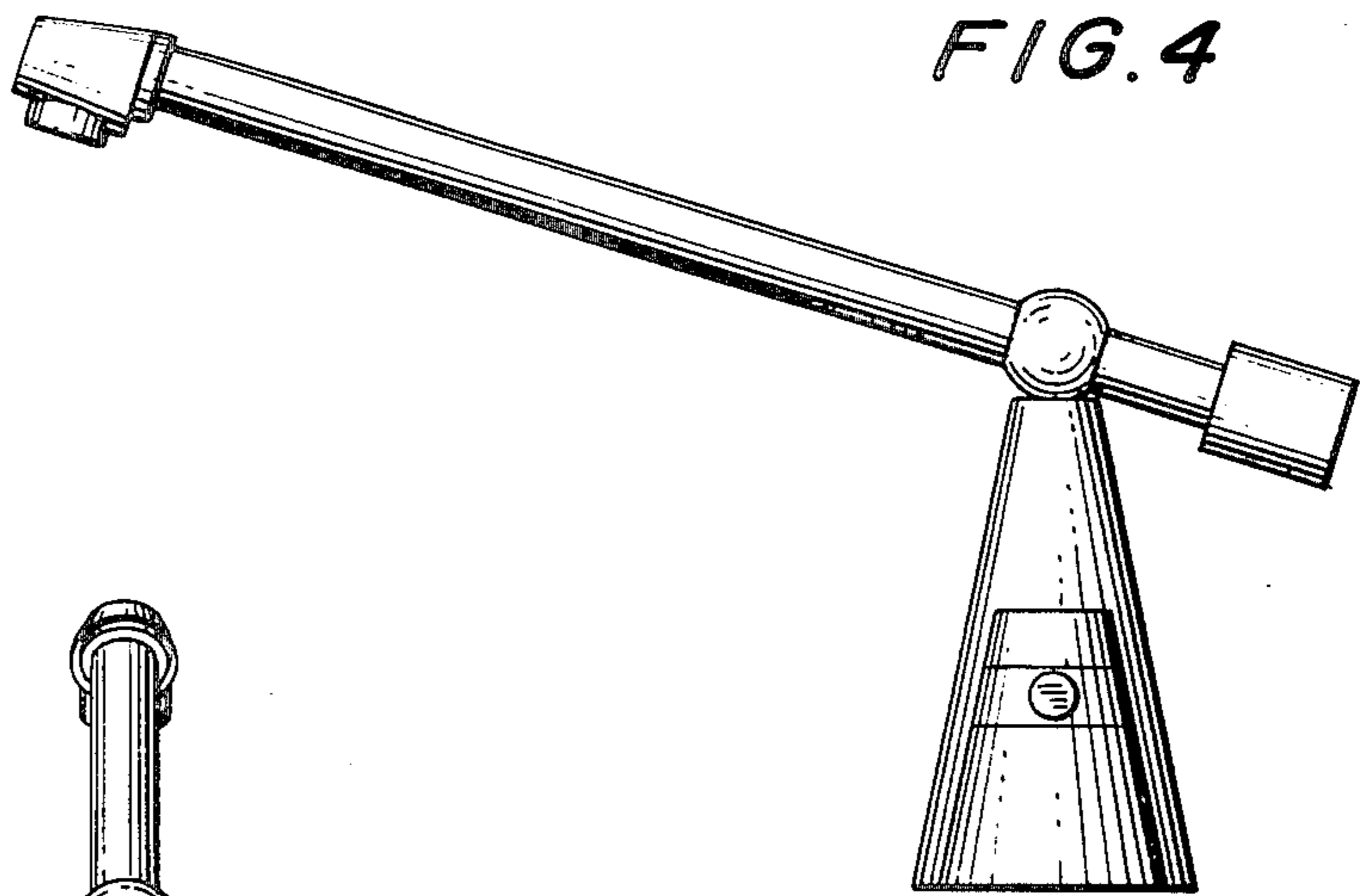


FIG. 4

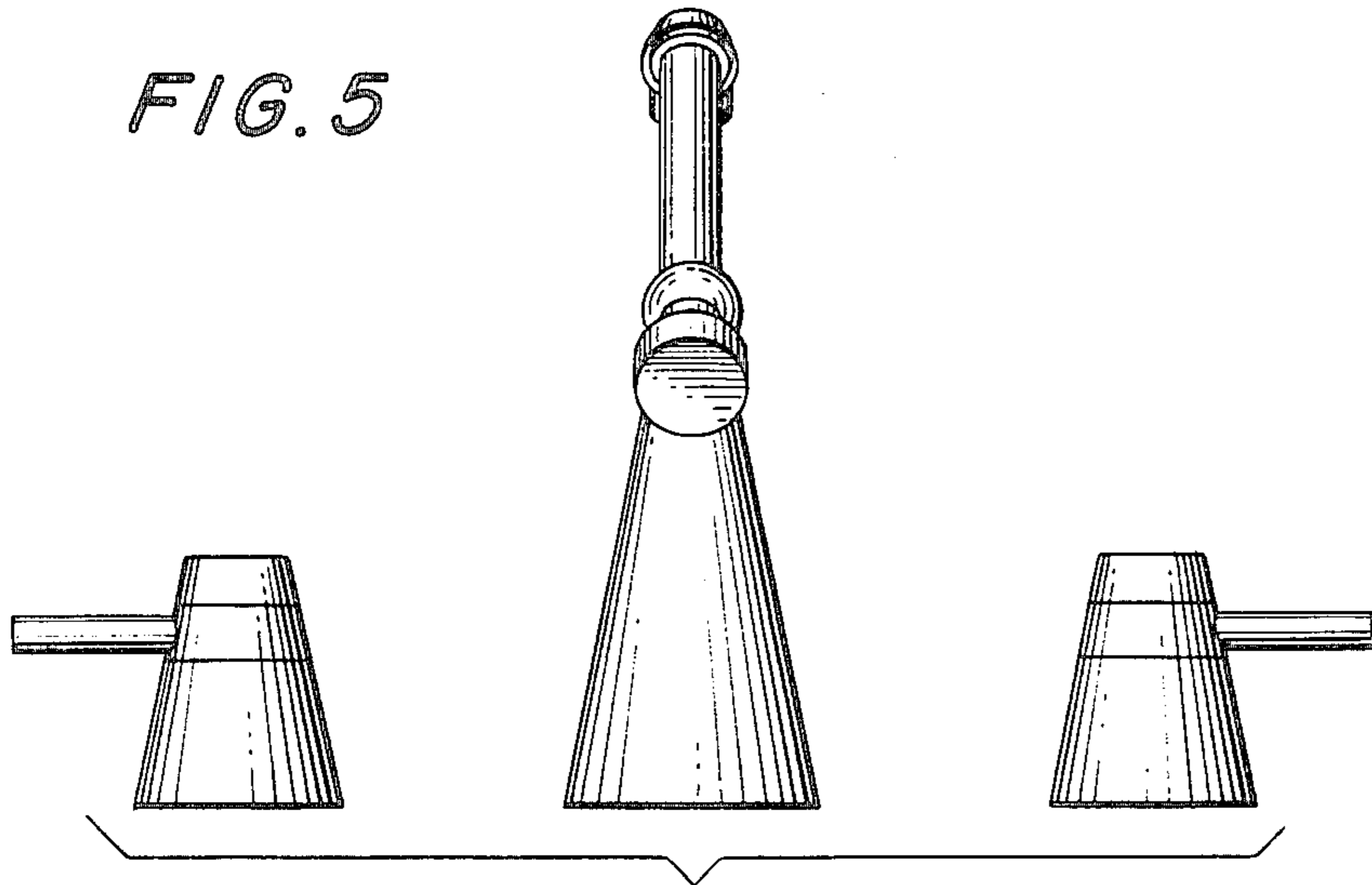


FIG. 5

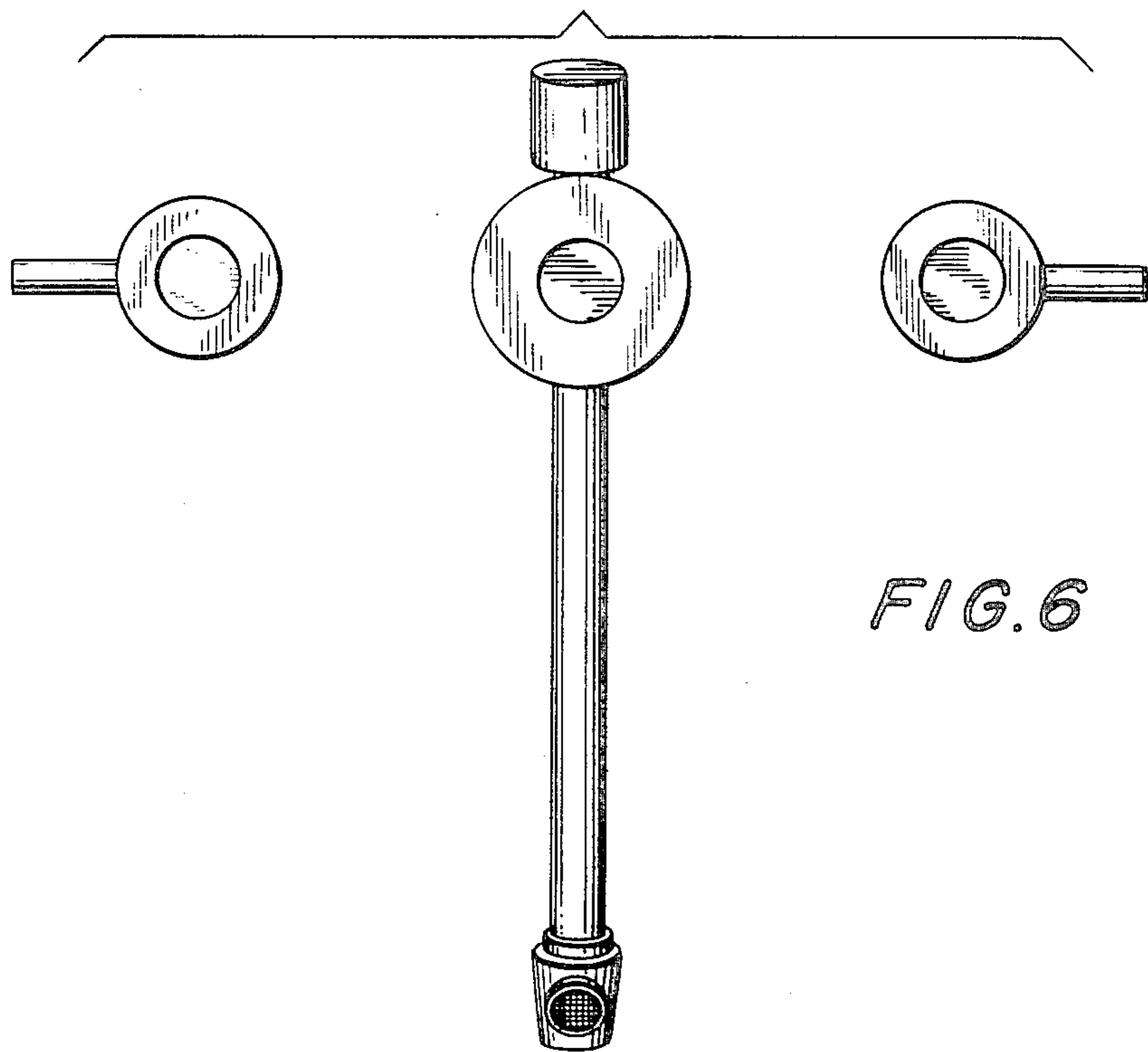


FIG. 6