

[54] FISHING REEL

4,331,303 5/1982 Moss ..... D22/25 X

[75] Inventors: Vernon R. Miller, Tulsa, Okla.;  
Edwin B. Hatch, West Bend, Wis.

Primary Examiner—A. Hugo Word  
Attorney, Agent, or Firm—Wood, Dalton, Phillips,  
Mason & Rowe

[73] Assignee: Brunswick Corporation, Skokie, Ill.

[57] CLAIM

[\*\*] Term: 14 Years

The ornamental design of a fishing reel, as shown and described.

[21] Appl. No.: 505,474

[22] Filed: Jun. 22, 1983

[52] U.S. Cl. .... D22/25

[58] Field of Search ..... D22/25; 242/84.1 R,  
242/84.1 A, 84.2 R, 84.2 A, 84.2 F, 84.21 A,  
84.4

DESCRIPTION

FIG. 1 is a perspective view of a front and side portion of the fishing reel showing our new design;  
FIG. 2 is a front elevation view thereof;  
FIG. 3 is a top plan view thereof;  
FIG. 4 is a side elevation view thereof;  
FIG. 5 is a back elevation view thereof;  
FIG. 6 is a bottom plan view thereof; and,  
FIG. 7 is a side elevation view opposite to the view shown in FIG. 4.

[56] References Cited

U.S. PATENT DOCUMENTS

D. 226,850 5/1973 Hull ..... D22/25  
3,296,731 1/1967 Wood ..... 242/84.21 A

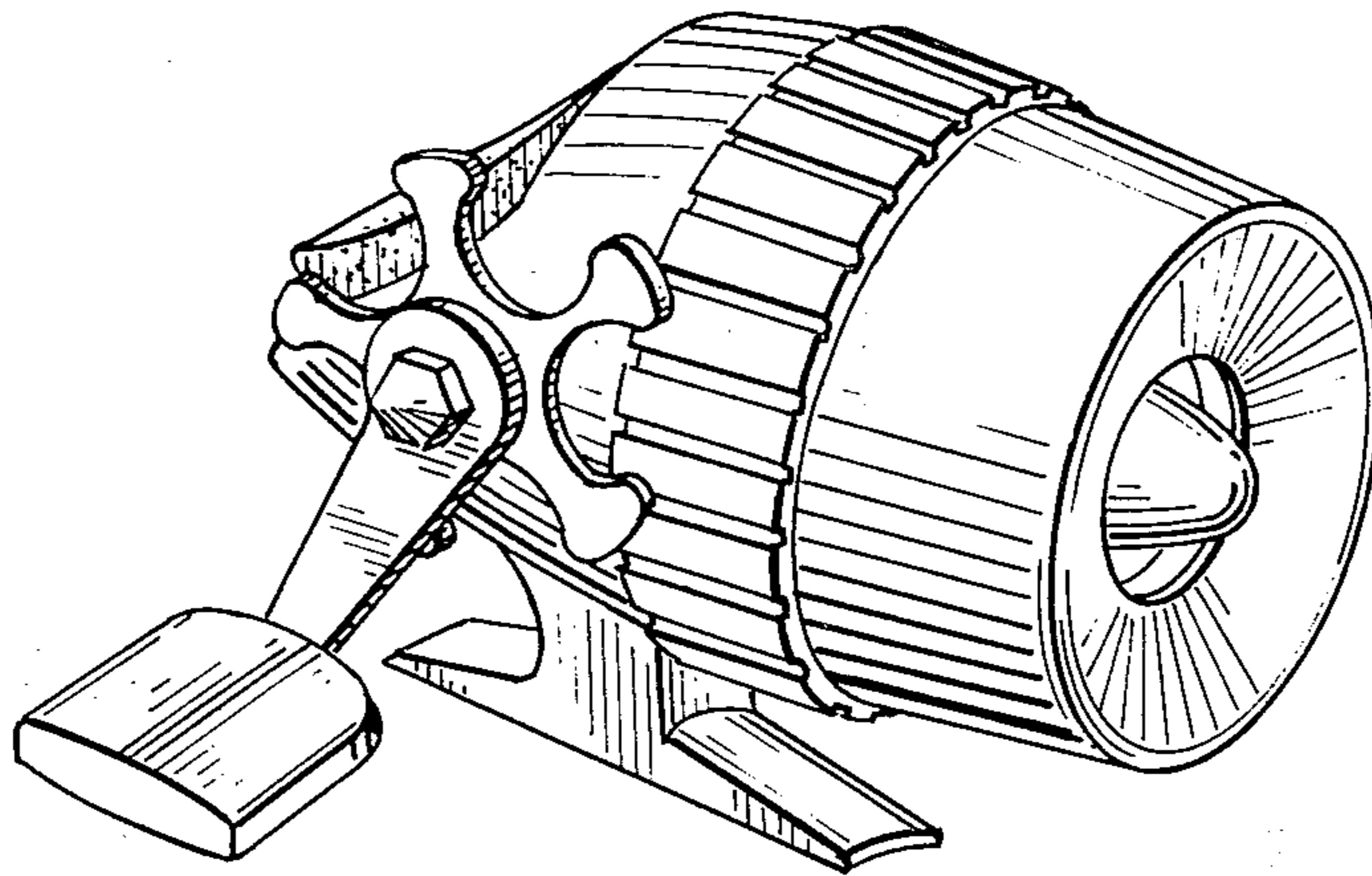


FIG. 1

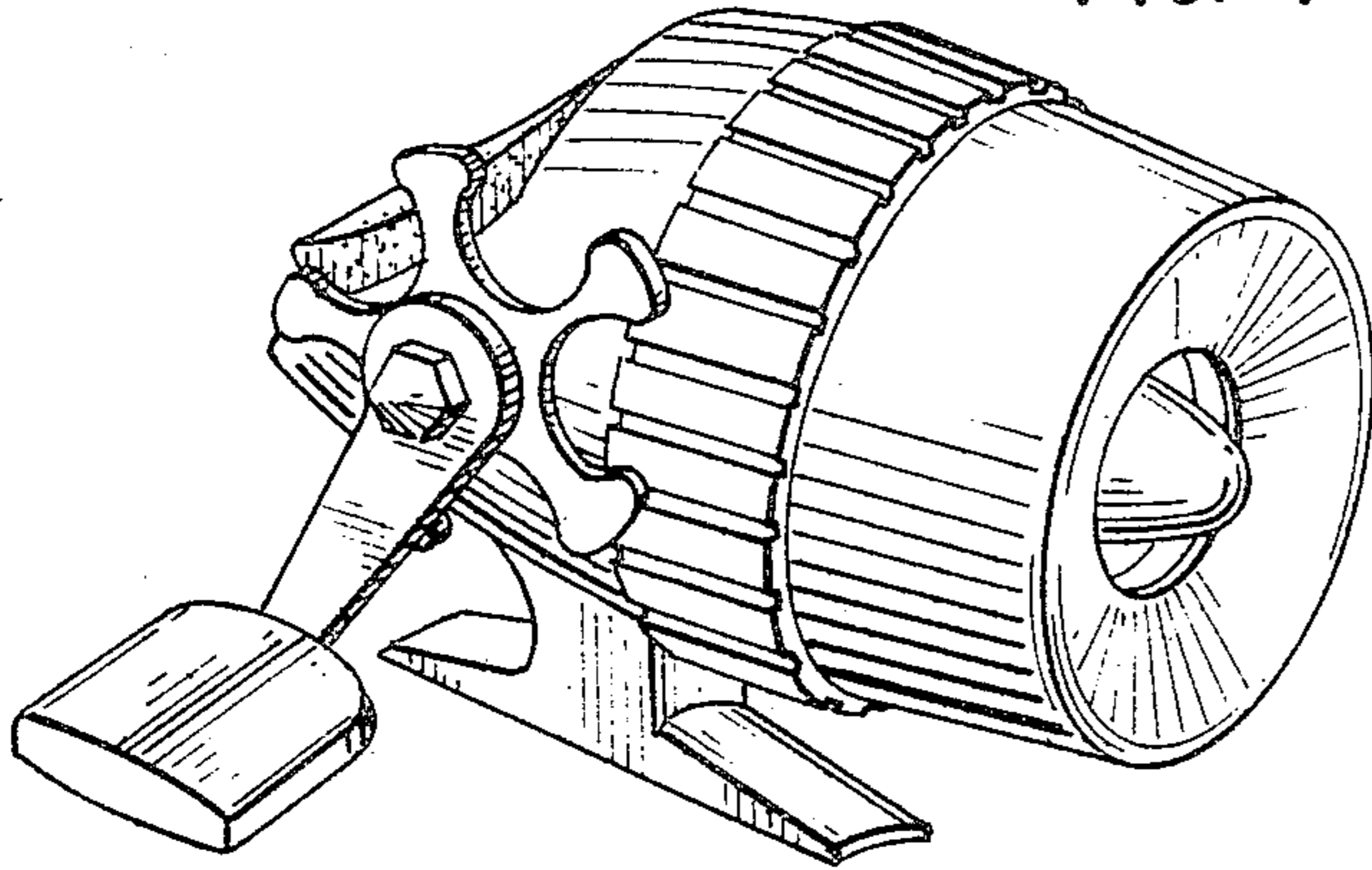


FIG. 2

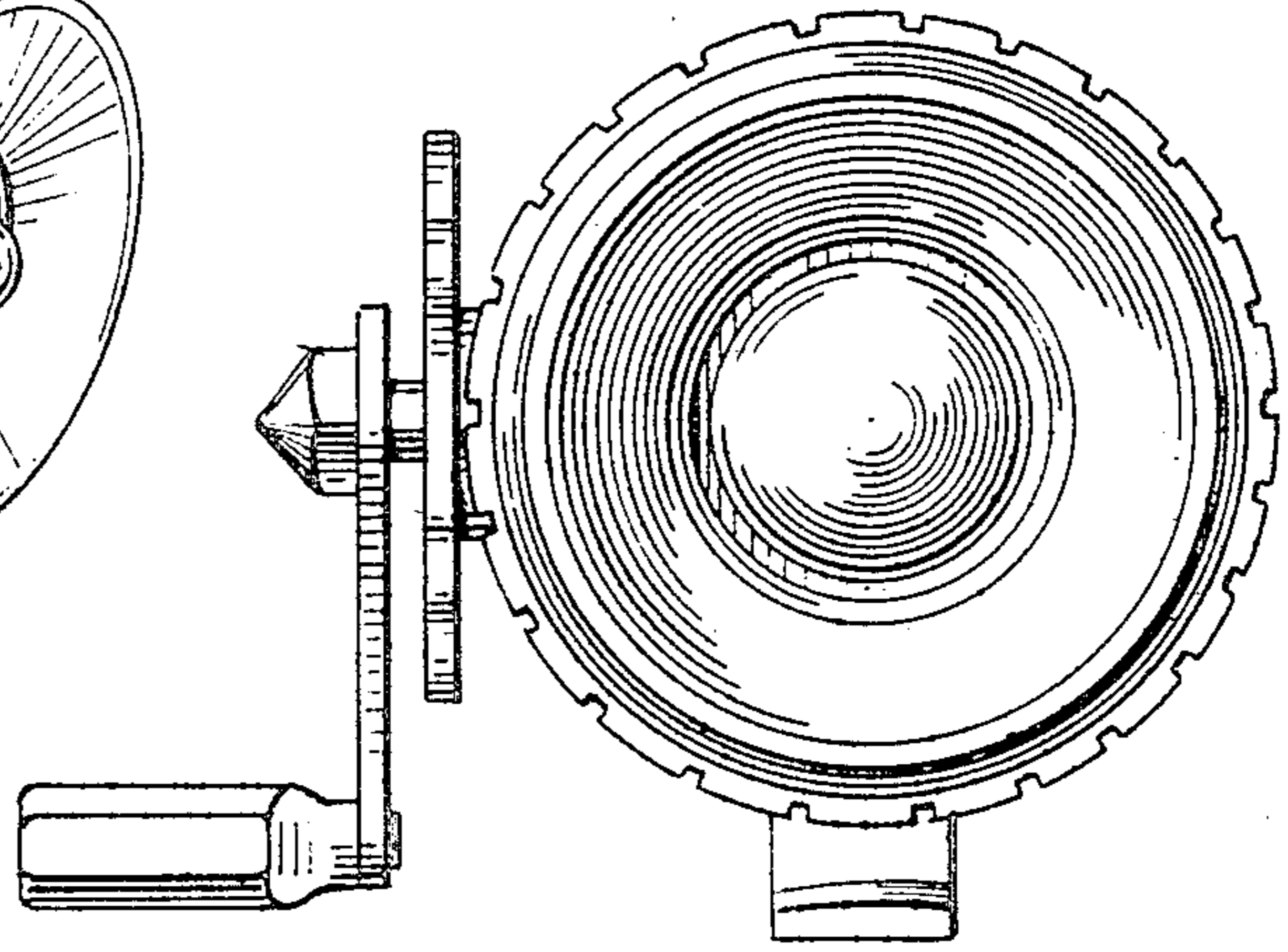


FIG. 3

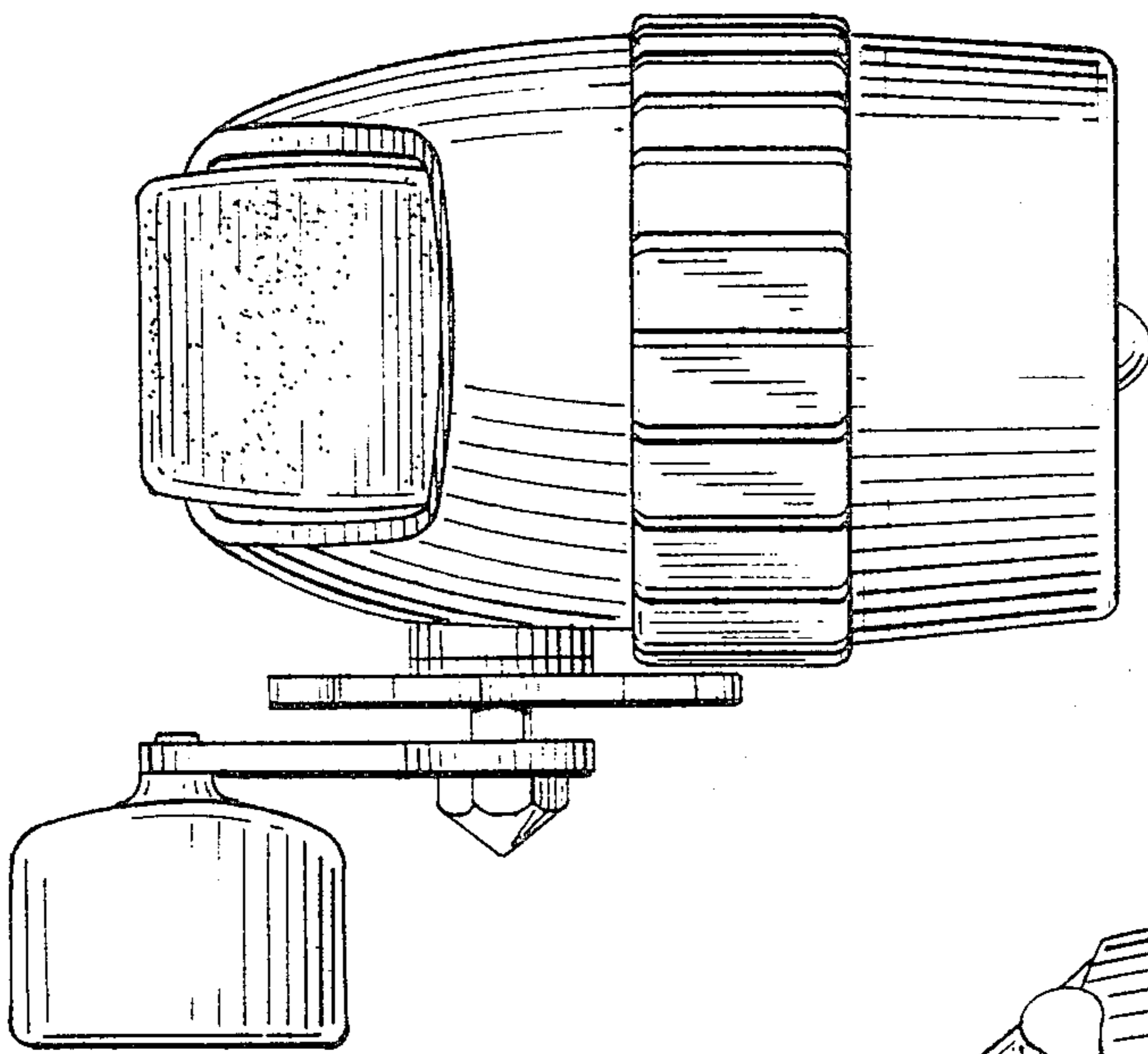


FIG. 4

