

[54] FISHING REEL

[75] Inventors: Richard J. Robbins, Derby, Kans.; Robert W. Fee, Ransom Canyon, Tex.; Vernon R. Miller, Tulsa, Okla.; Edwin B. Hatch, West Bend, Wis.

[73] Assignee: Brunswick Corporation, Skokie, Ill.

[\*\*] Term: 14 Years

[21] Appl. No.: 505,473

[22] Filed: Jun. 22, 1983

[52] U.S. Cl. .... D22/25

[58] Field of Search ..... D22/25; 242/84.1 R, 242/84.1 A, 84.2 R, 84.2 A, 84.2 F, 84.21 A, 84.4

[56] References Cited

U.S. PATENT DOCUMENTS

D. 226,850 5/1973 Hull ..... D22/25

3,296,731 1/1967 Wood ..... 242/84.21 A  
4,331,303 5/1982 Moss ..... D22/25 X

Primary Examiner—A. Hugo Word  
Attorney, Agent, or Firm—Wood, Dalton, Phillips, Mason & Rowe

[57] CLAIM

The ornamental design of a fishing reel, as shown and described.

DESCRIPTION

FIG. 1 is a perspective view of a front and side portion of the fishing reel showing our new design; FIG. 2 is a front elevation view thereof; FIG. 3 is a top plan view thereof; FIG. 4 is a side elevation view thereof; FIG. 5 is a back elevation view thereof; FIG. 6 is a bottom plan view thereof; and, FIG. 7 is a side elevation view opposite to the view shown in FIG. 4.

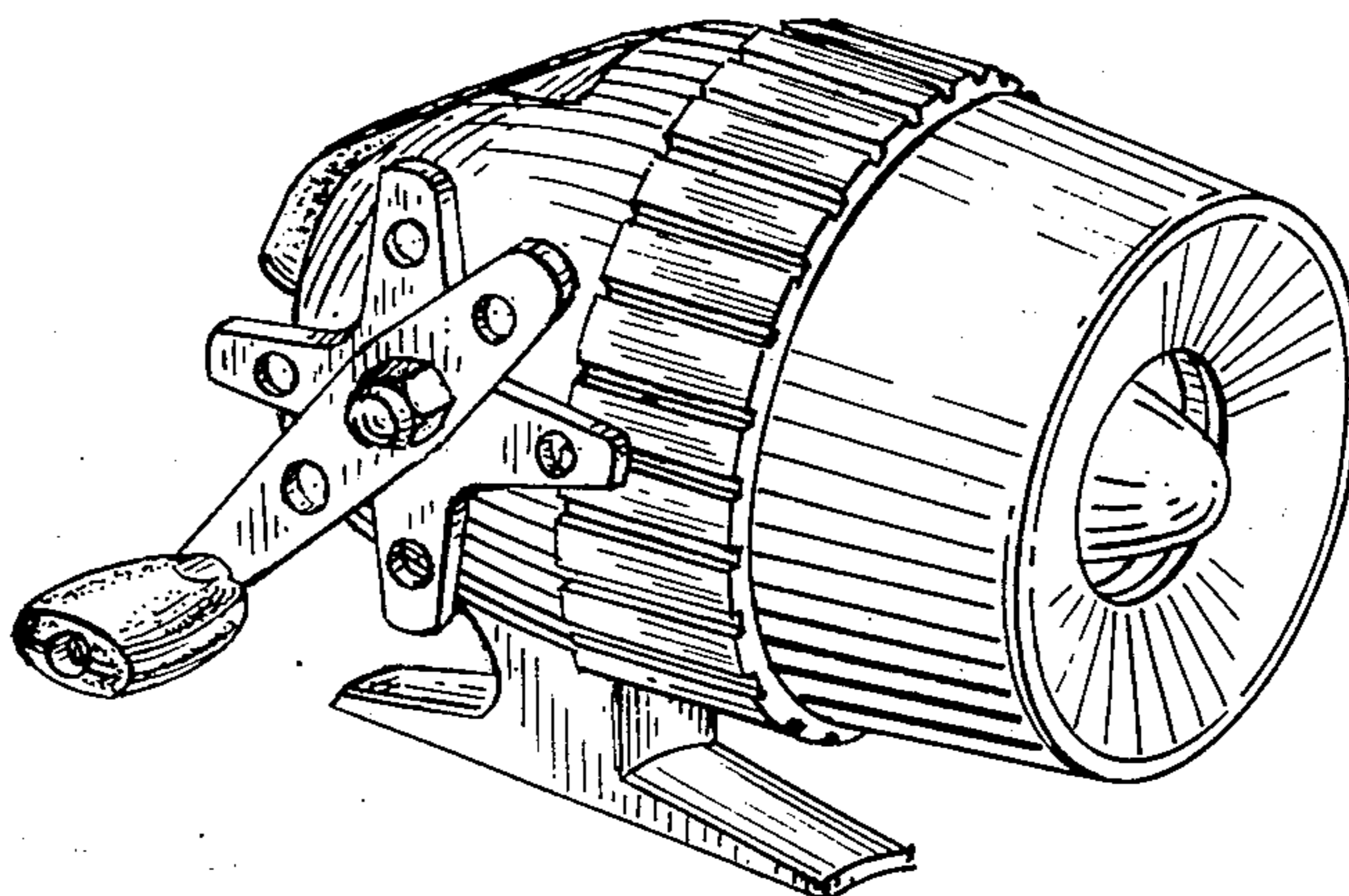


FIG. 1

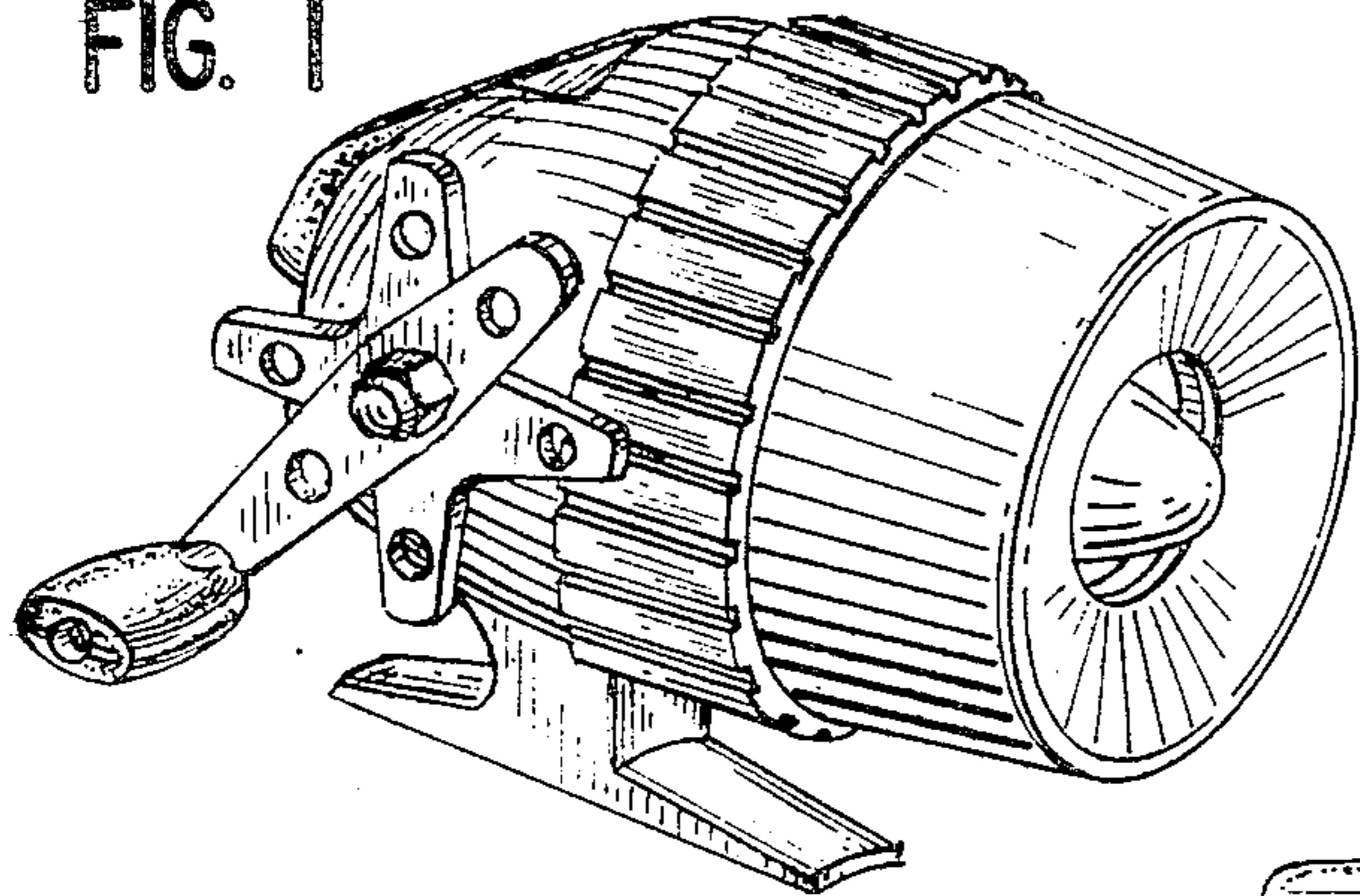


FIG. 2

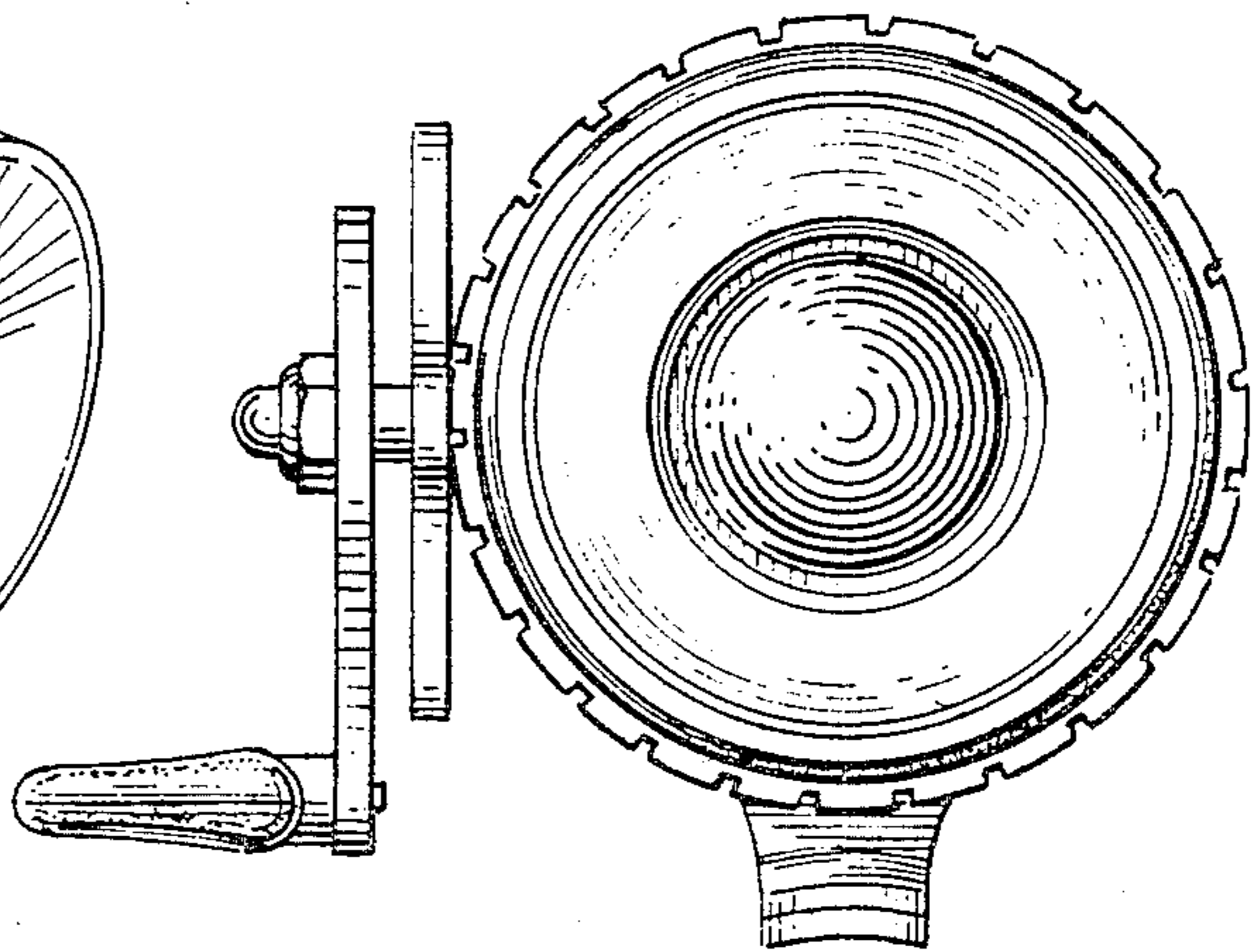


FIG. 3

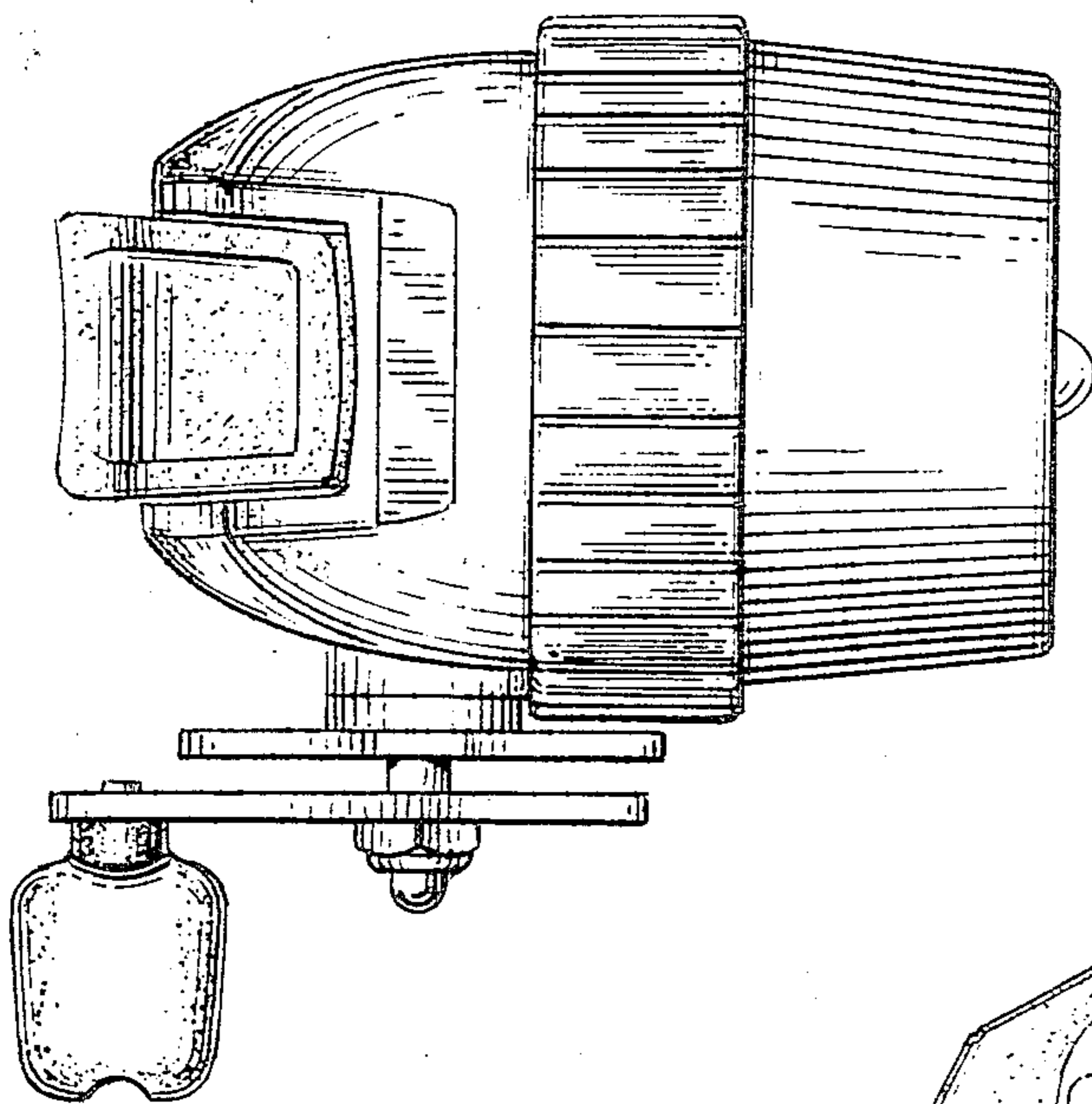


FIG. 4

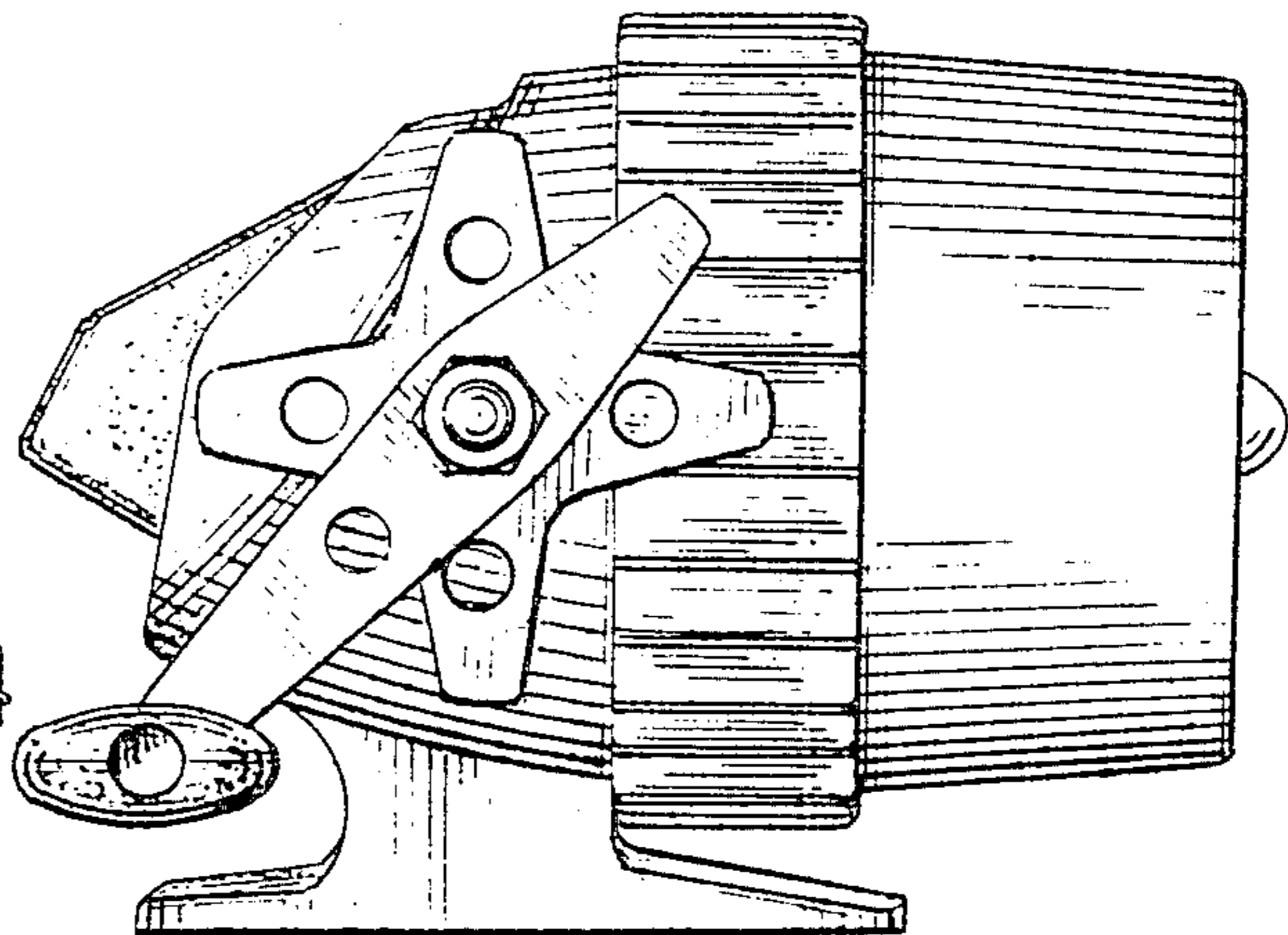


FIG. 5

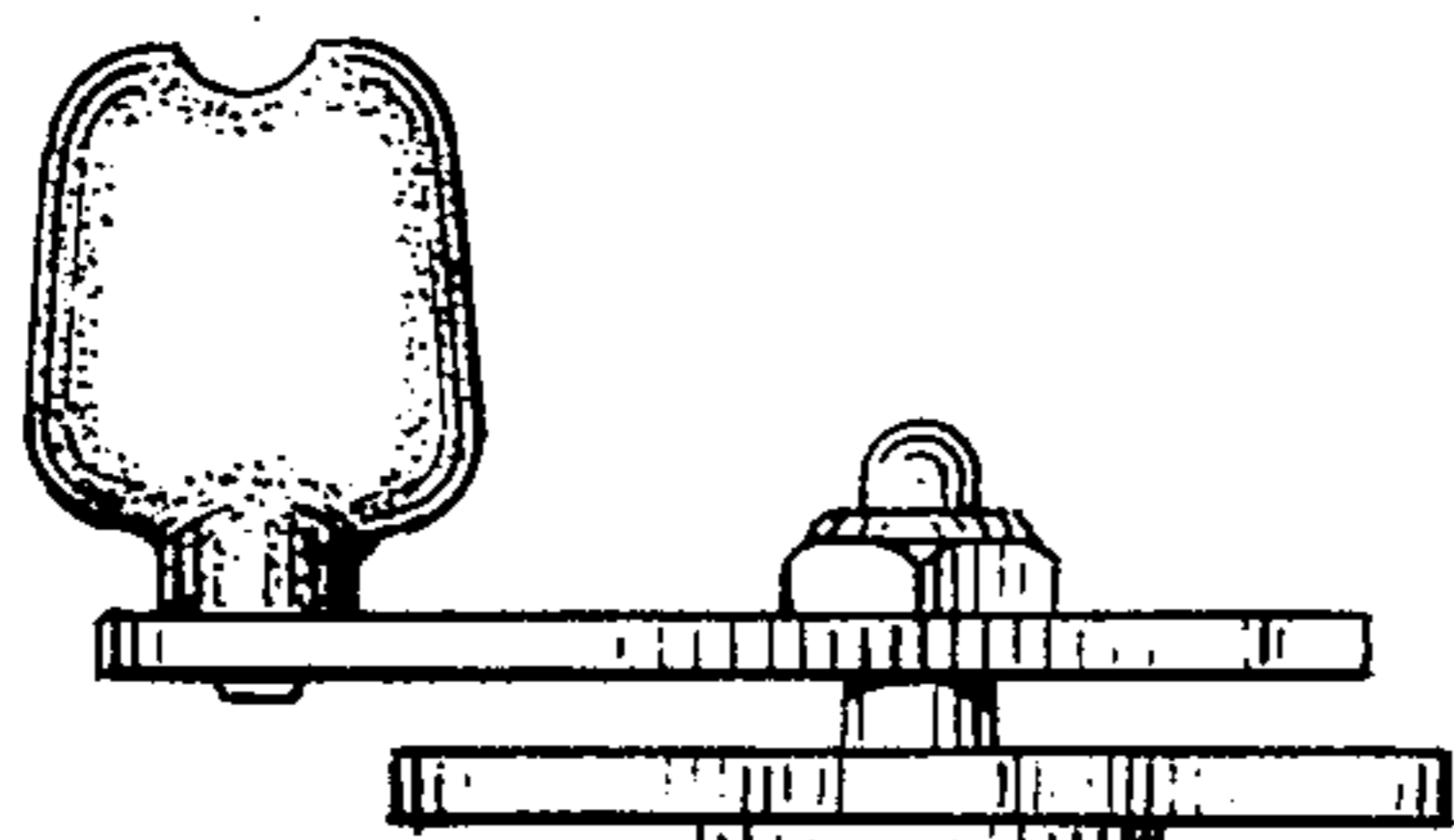
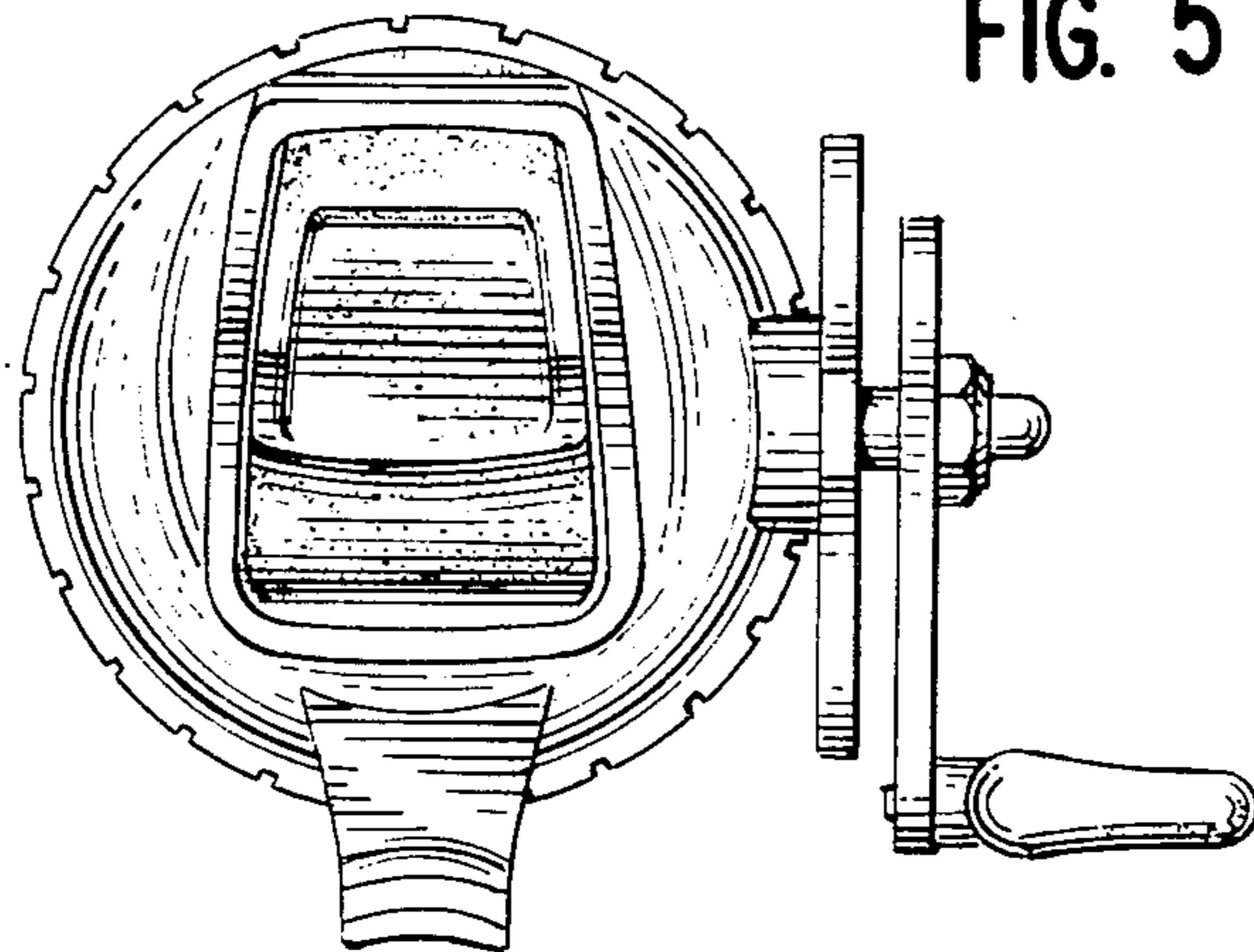


FIG. 6

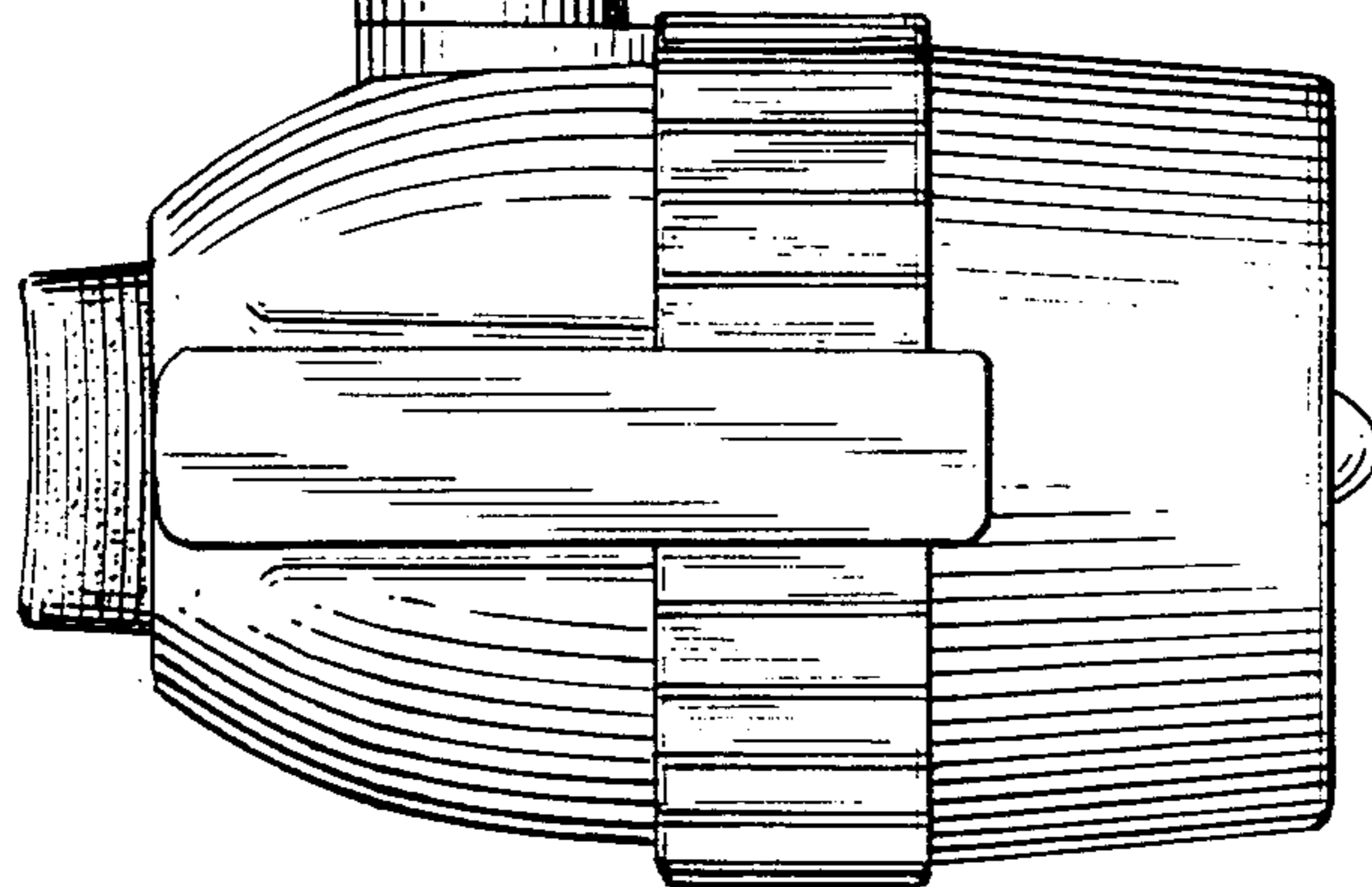


FIG. 7

