

[54] FISHING REEL

3,296,731 1/1967 Wood 242/84.21 A
4,331,303 5/1982 Moss D22/25 X

[75] Inventors: **Richard J. Robbins**, Derby, Kans.;
Robert W. Fee, Ransom Canyon,
Tex.; **Vernon R. Miller**, Tulsa, Okla.;
Edwin B. Hatch, West Bend, Wis.

Primary Examiner—A. Hugo Word
Attorney, Agent, or Firm—Wood, Dalton, Phillips,
Mason & Rowe

[73] Assignee: **Brunswick Corporation**, Skokie, Ill.

[57] CLAIM

[**] Term: **14 Years**

The ornamental design of a fishing reel, as shown and described.

[21] Appl. No.: **505,472**

DESCRIPTION

[22] Filed: **Jun. 22, 1983**

[52] U.S. Cl. **D22/25**

[58] Field of Search **D22/25; 242/84.1 R,**
242/84.1 A, 84.2 R, 84.2 A, 84.2 F, 84.21 A,
84.4

FIG. 1 is a perspective view of a front and side portion of the fishing reel showing our new design;
FIG. 2 is a front elevation view thereof;
FIG. 3 is a top plan view thereof;
FIG. 4 is a side elevation view thereof;
FIG. 5 is a back elevation view thereof;
FIG. 6 is a bottom plan view thereof; and,
FIG. 7 is a side elevation view opposite to the view shown in FIG. 4.

[56] References Cited

U.S. PATENT DOCUMENTS

D. 226,850 5/1973 Hull D22/25

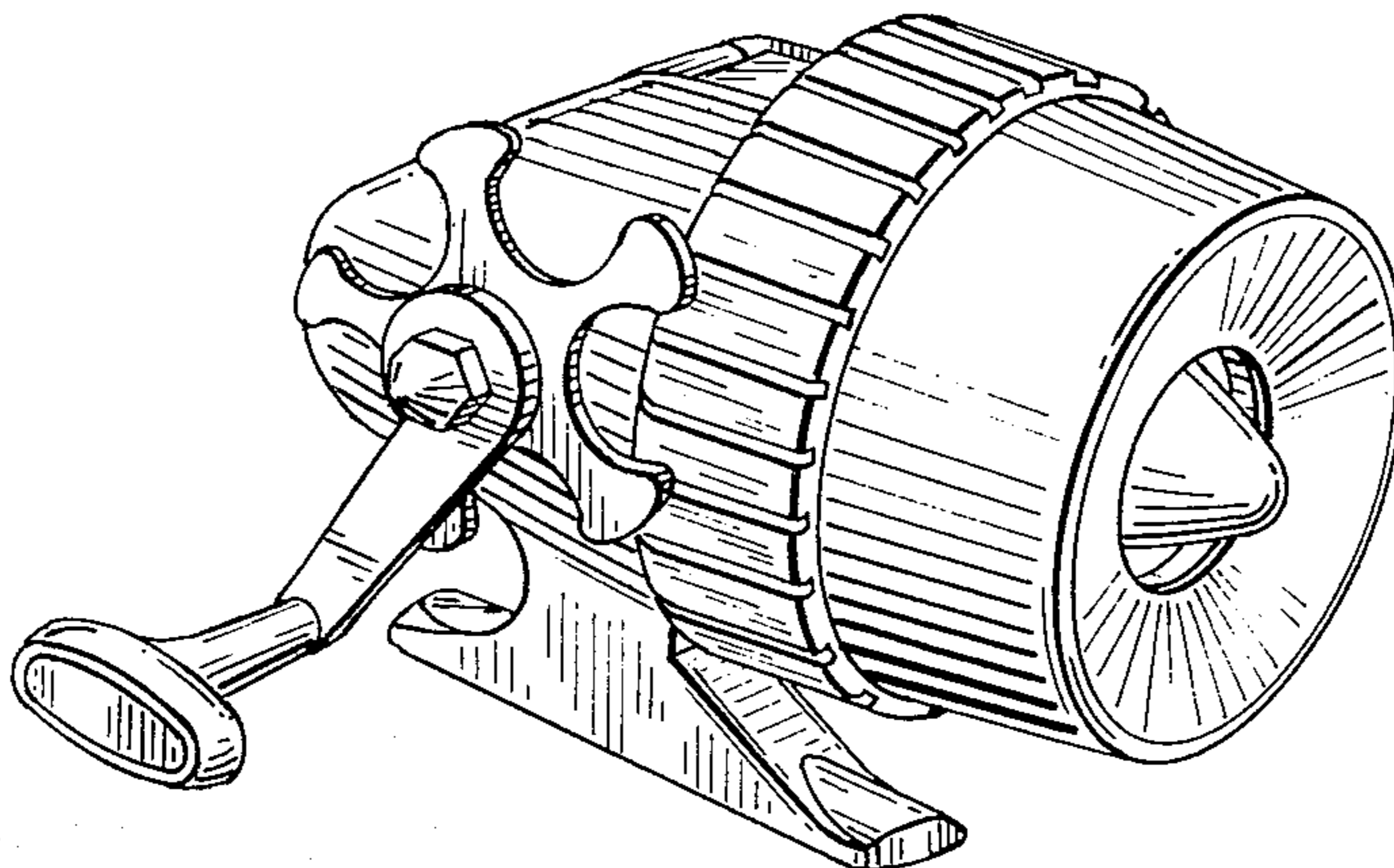


FIG. 1

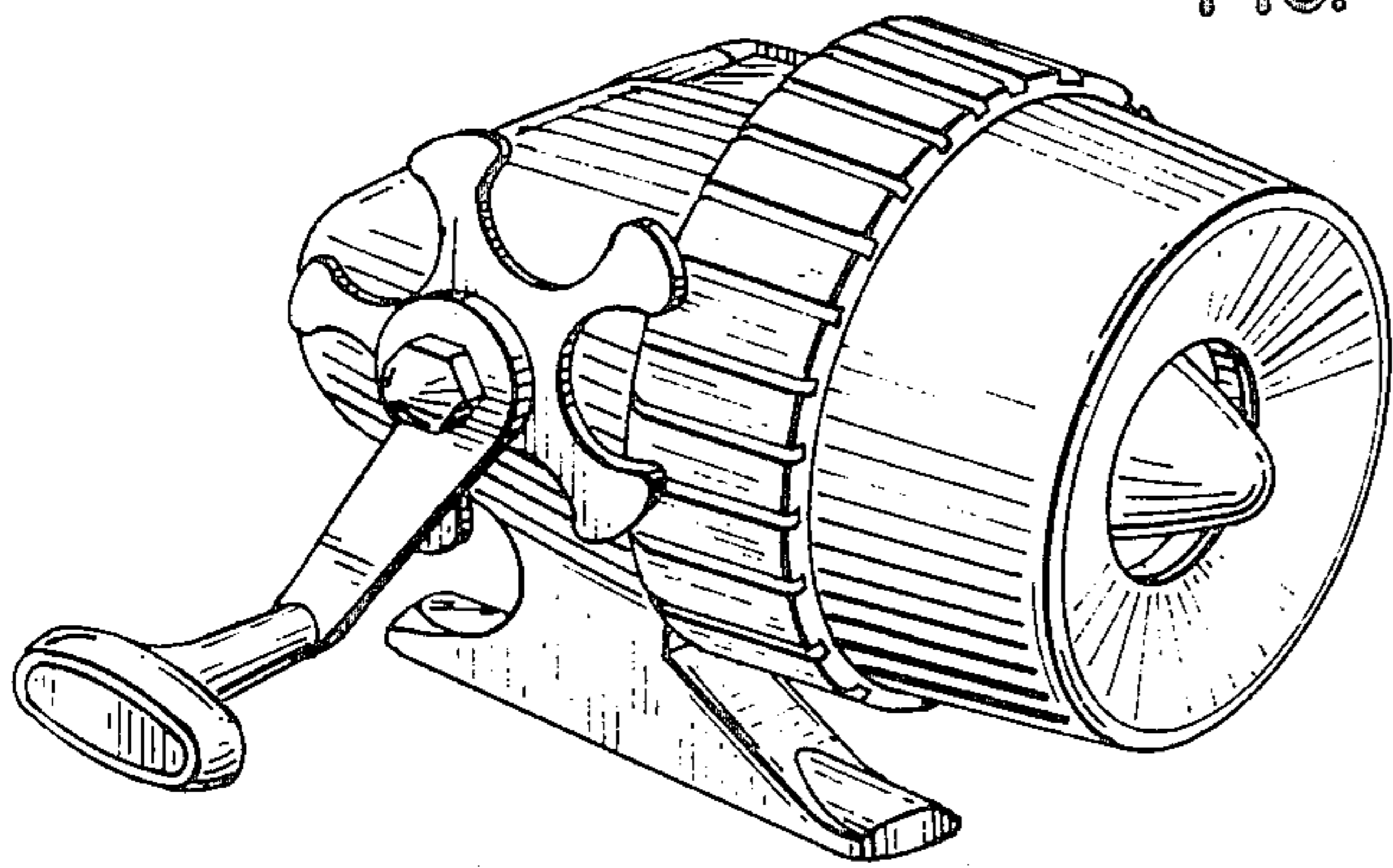


FIG. 2

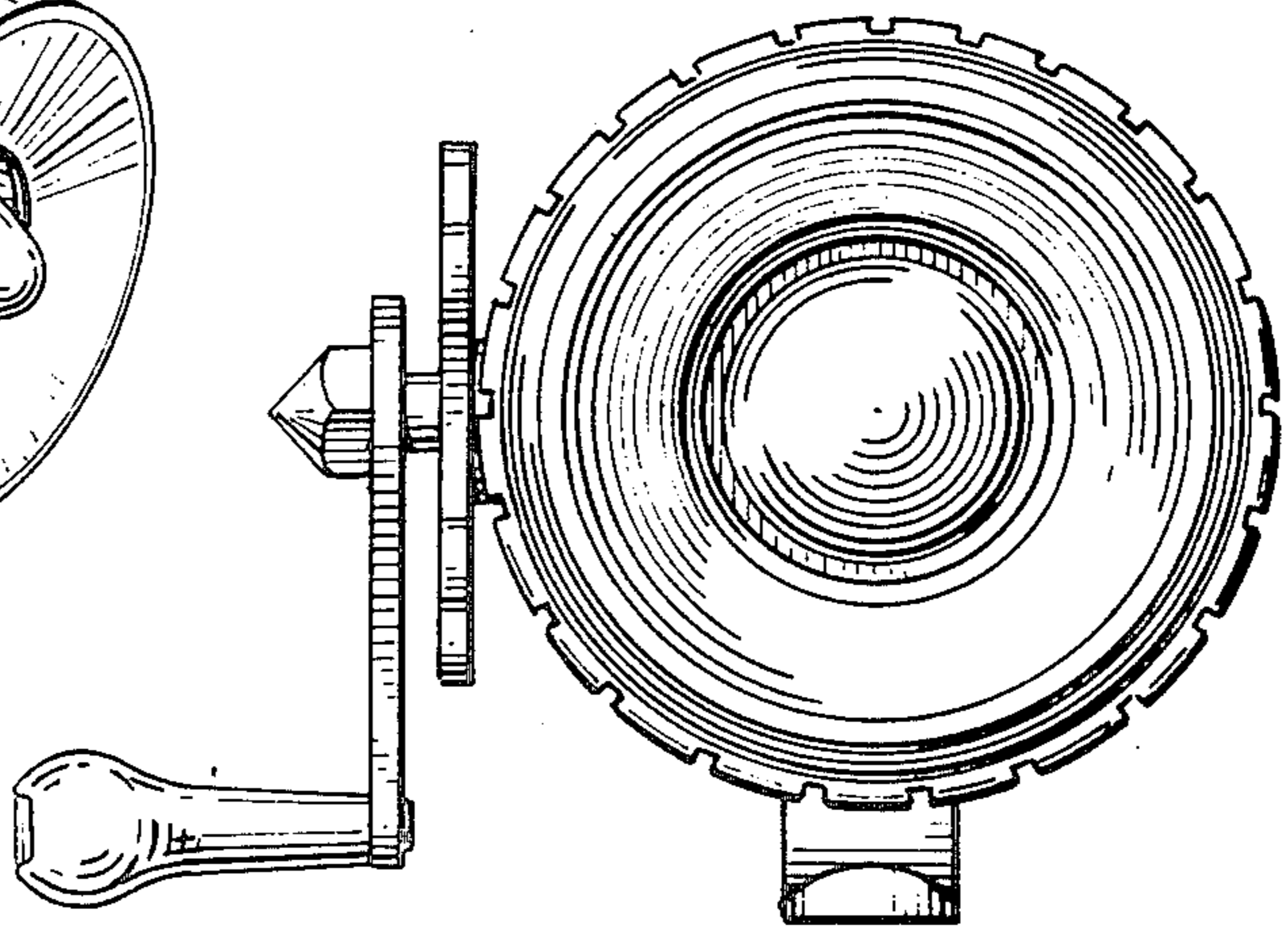


FIG. 3

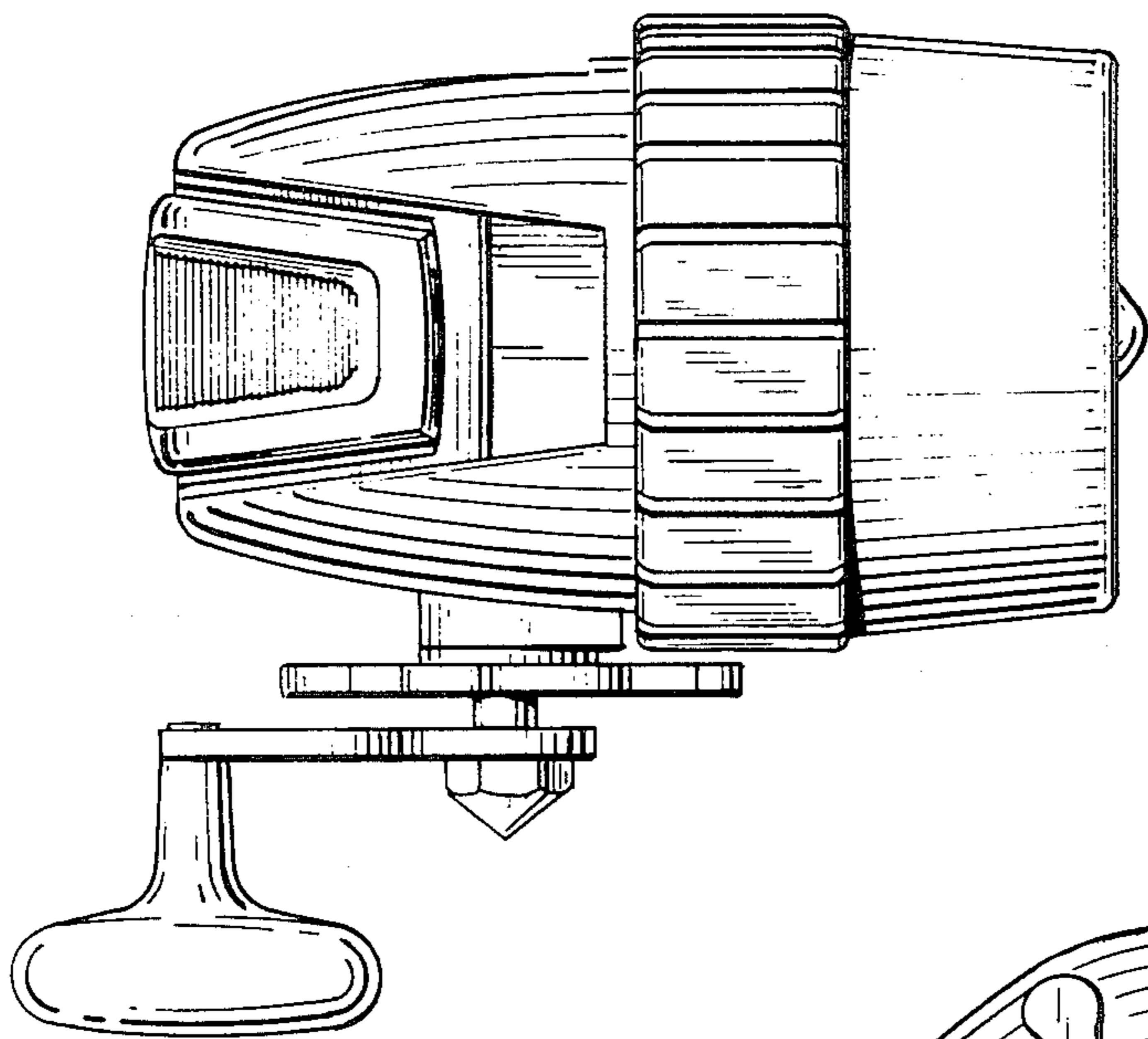


FIG. 4

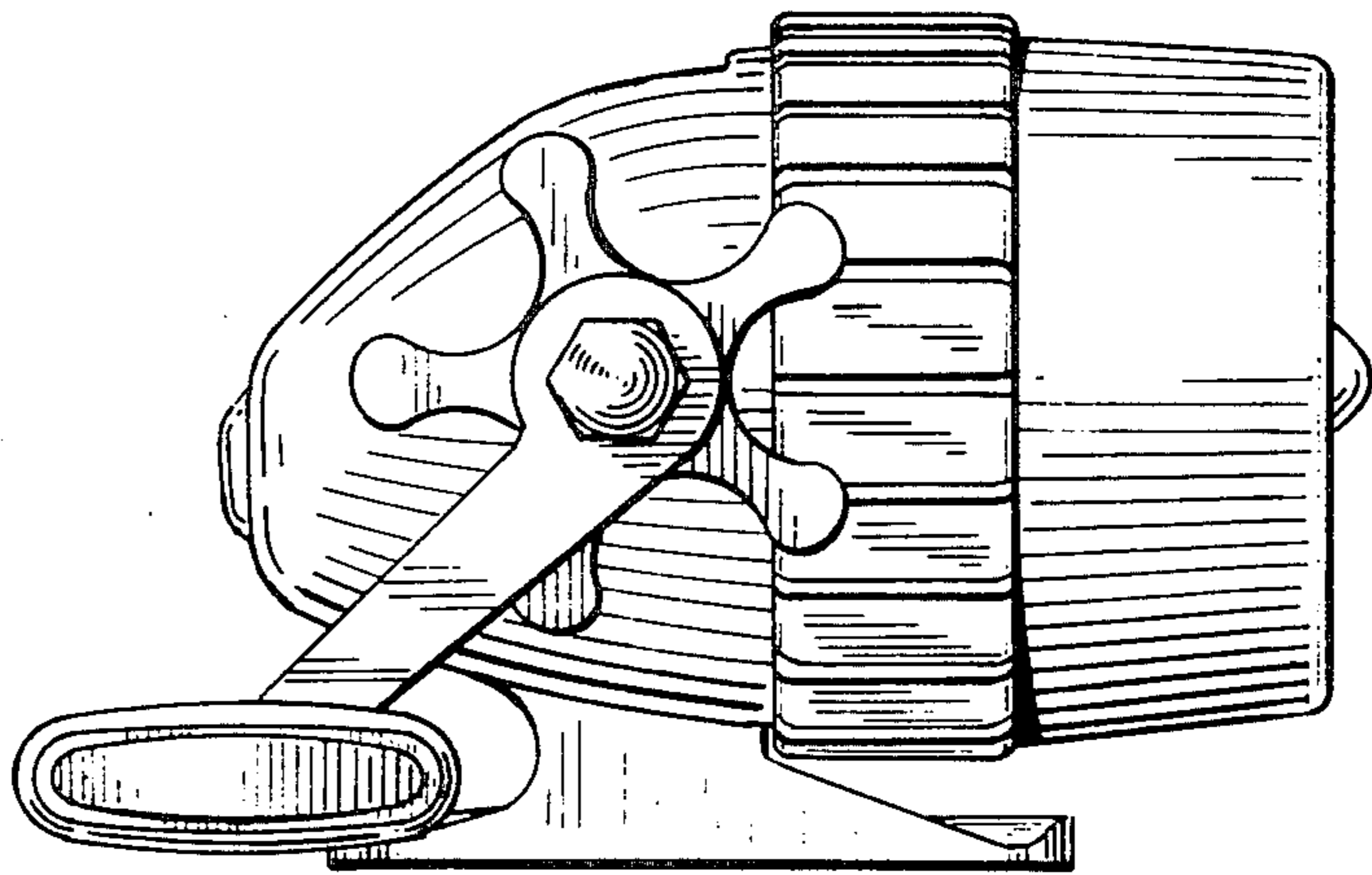


FIG. 5

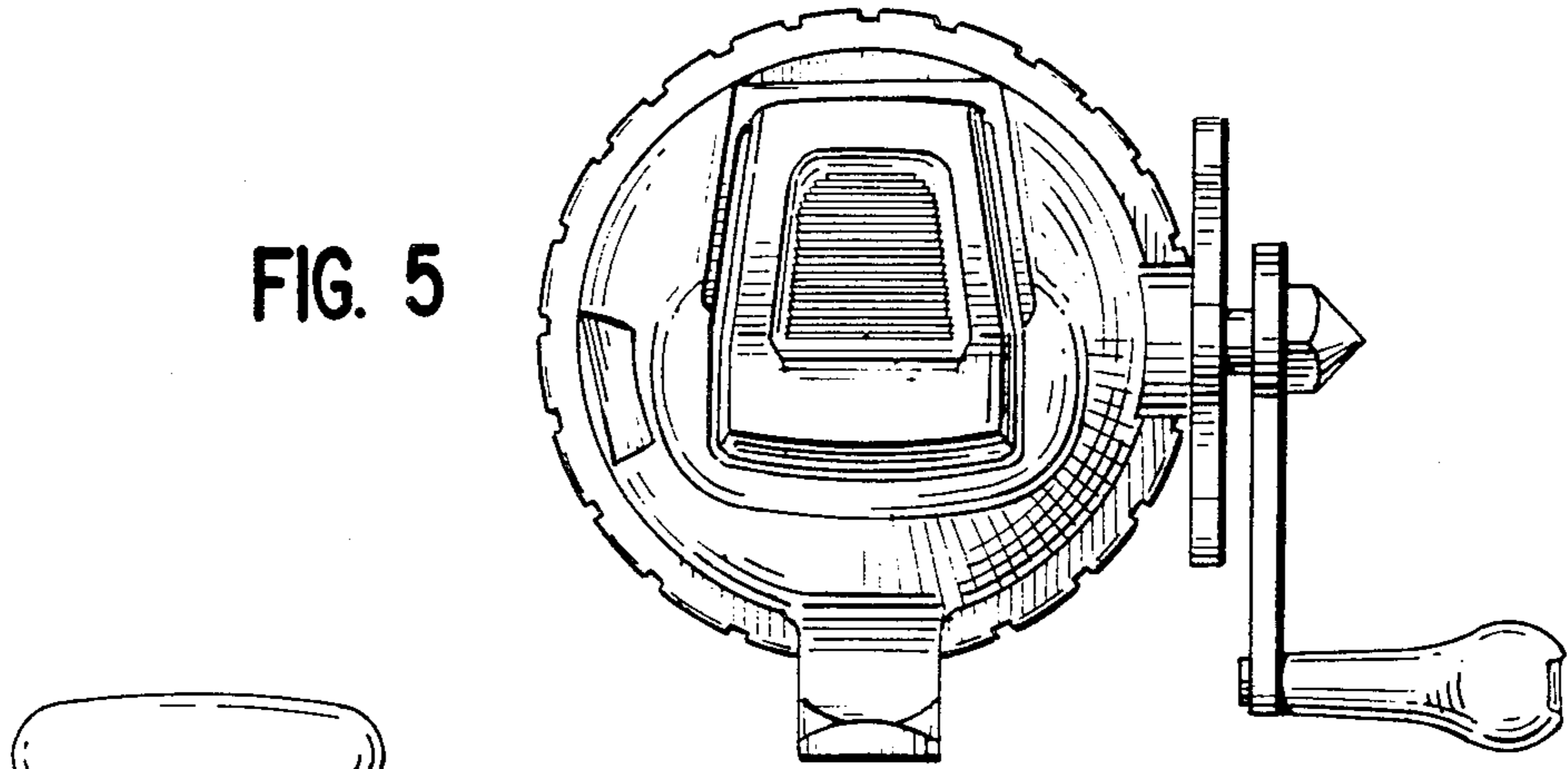


FIG. 6

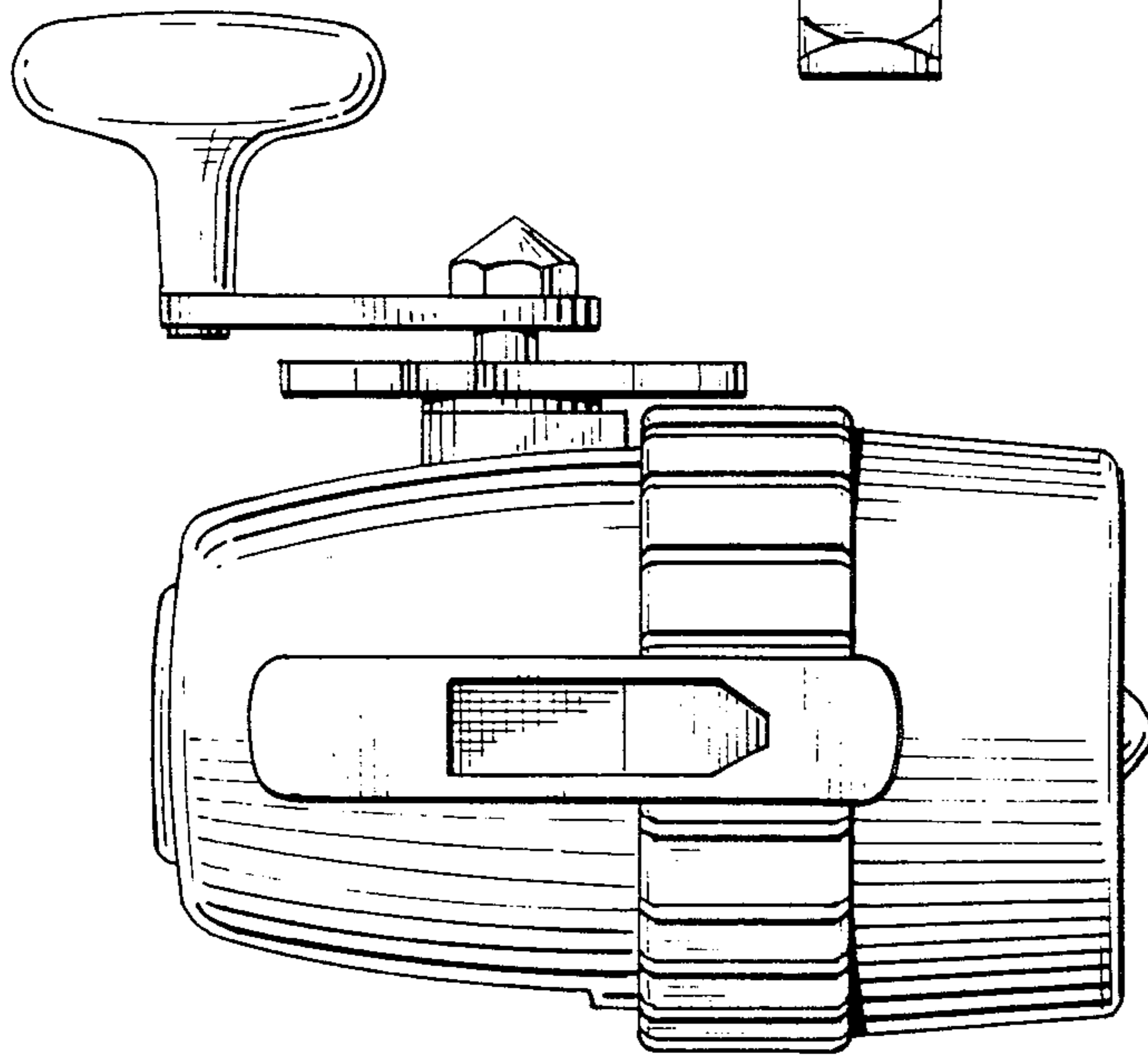


FIG. 7

