

[54] **TILTING HEALTH EXERCISER**

[75] Inventor: **Denny B. Law**, San Marcos, Calif.

[73] Assignee: **Unique Functional Products**, San Marcos, Calif.

[**] Term: **14 Years**

[21] Appl. No.: **543,396**

[22] Filed: **Oct. 17, 1983**

[52] U.S. Cl. **D21/191**

[58] Field of Search **D21/191-198;**
272/144, 134; 128/71; D24/64, 3

[56] **References Cited**

U.S. PATENT DOCUMENTS

4,232,662	11/1980	Barber	128/71
4,438,761	3/1984	McGowen	128/71
4,494,532	1/1985	Masuda et al.	272/144

FOREIGN PATENT DOCUMENTS

445717	2/1968	Switzerland	128/71
--------	--------	-------------	--------

OTHER PUBLICATIONS

Abercrombie & Fitch Catalog, 10-1981, p. 21, Item "J", Inversion System.

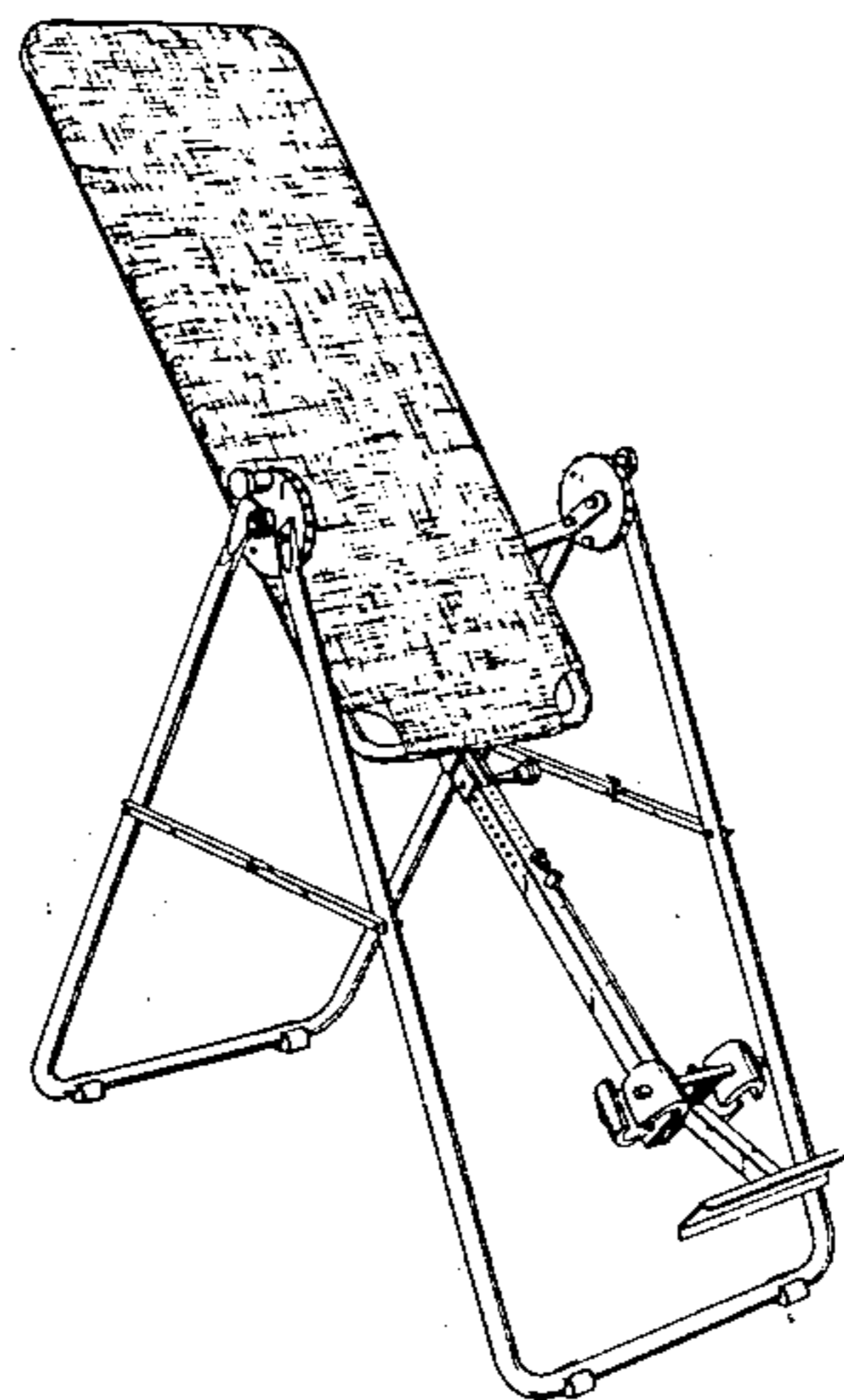
Primary Examiner—Charles A. Rademaker
Attorney, Agent, or Firm—Duane C. Bowen

[57] **CLAIM**

The ornamental design for a tilting health exerciser, as shown and described.

DESCRIPTION

FIG. 1 is a front perspective view of a tilting health exerciser showing my new design;
FIG. 2 is a side elevational view thereof, the side opposite being a mirror image;
FIG. 3 is a side elevational view thereof, the side opposite being a mirror image;
FIG. 4 is an enlarged perspective view thereof shown partially in fragment; and,
FIG. 5 is an enlarged perspective view thereof shown partially in fragment.



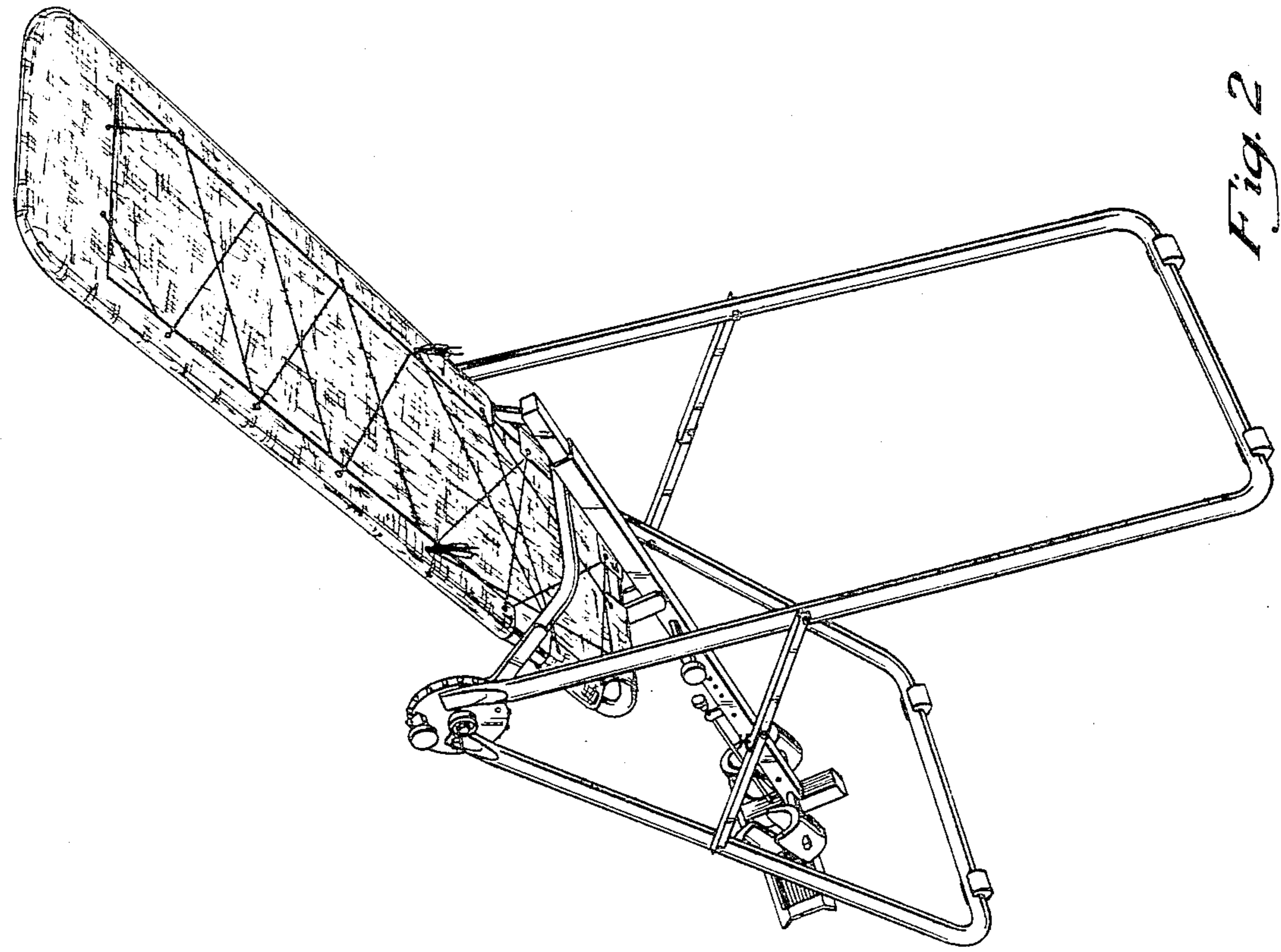


Fig. 2

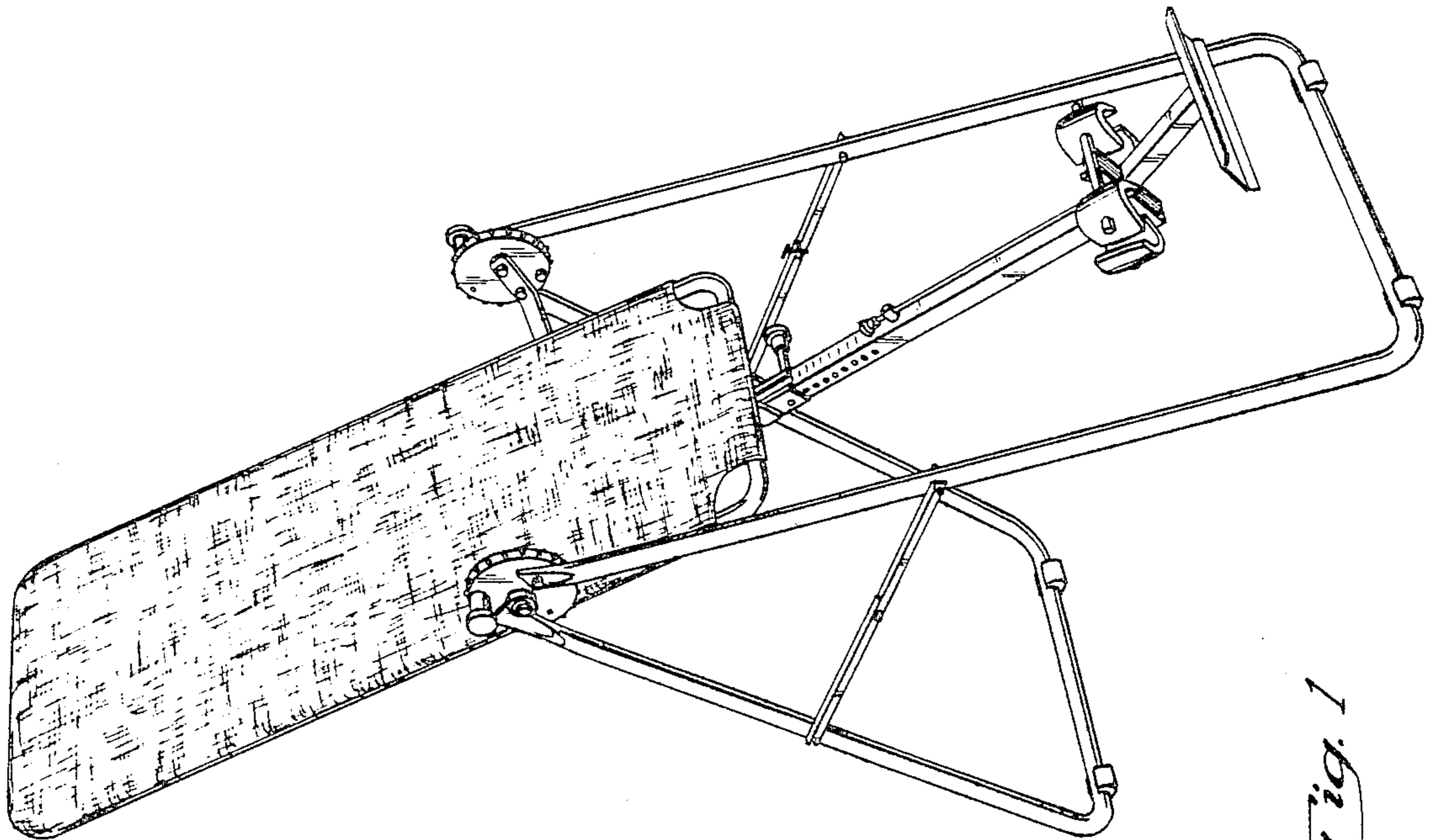


Fig. 1

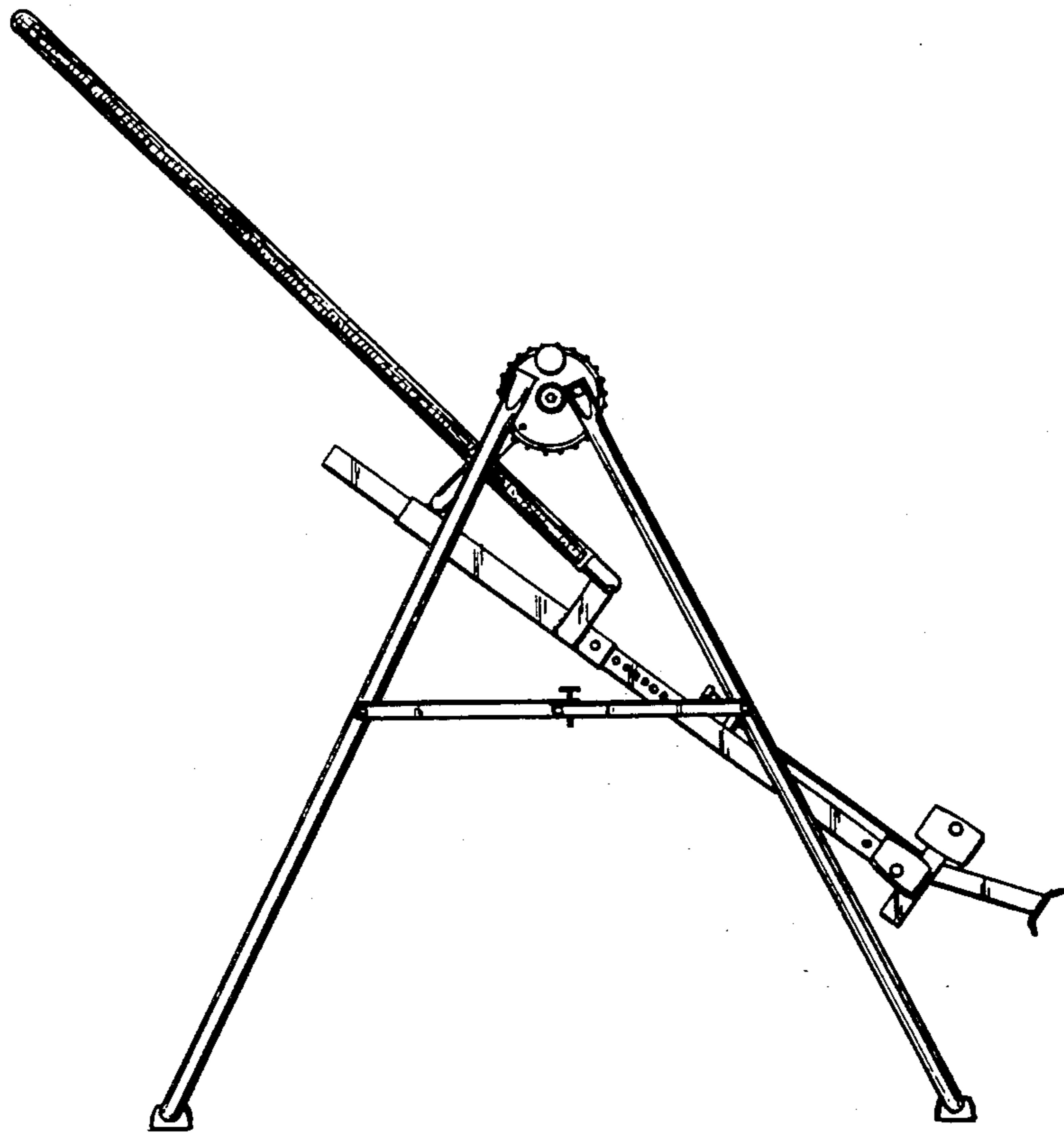


Fig. 3

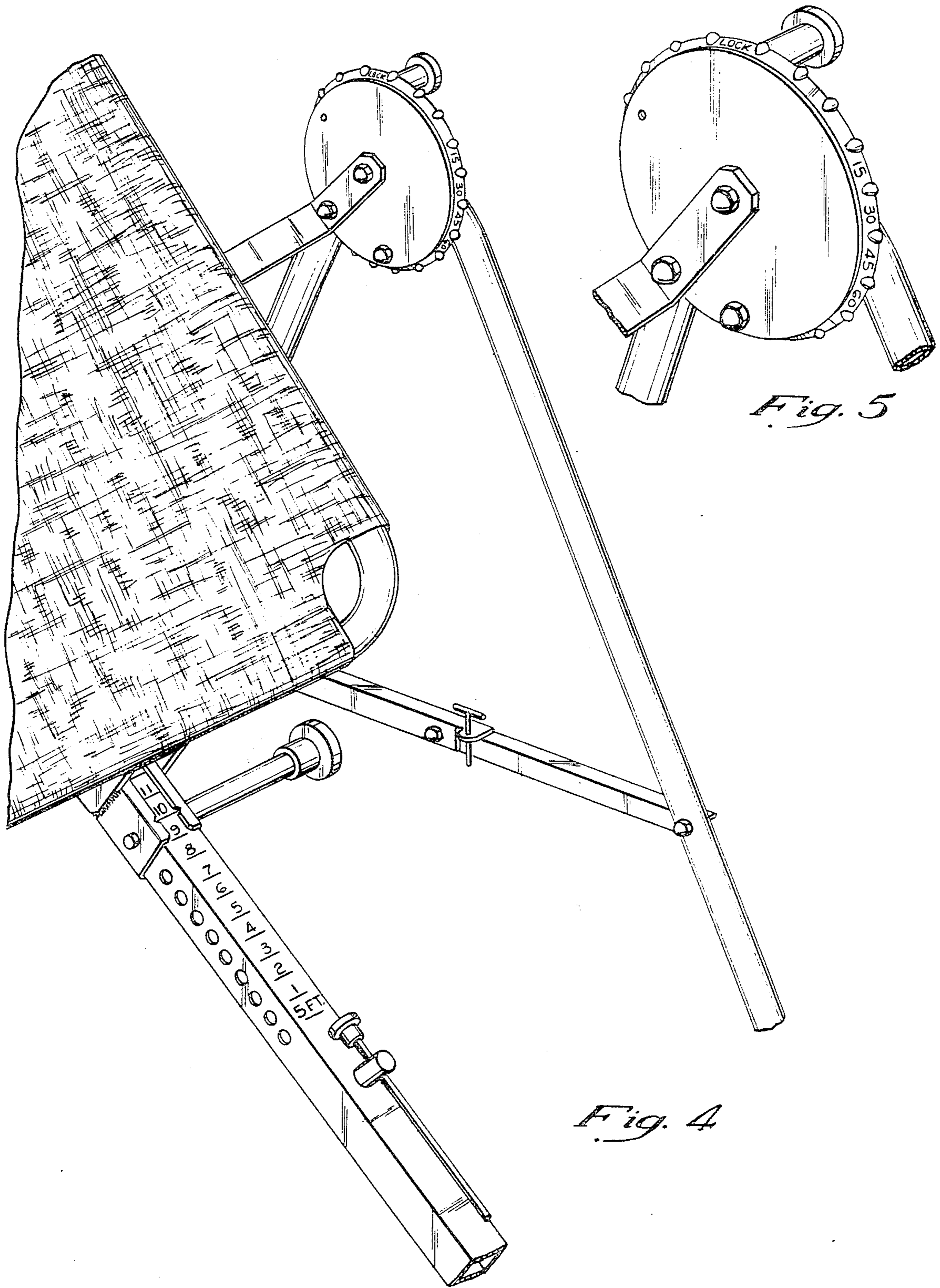


Fig. 5

Fig. 4