

[54] TOY CONSTRUCTION PIECE

[75] Inventor: Niels M. Pedersen, Billund, Denmark

[73] Assignee: Interlego A.G., Switzerland

[**] Term: 14 Years

[21] Appl. No.: 448,778

[22] Filed: Dec. 10, 1982

[52] U.S. Cl. D21/108

[58] Field of Search D21/104, 105, 108;
446/85, 87, 104, 111, 118, 120, 121, 124, 128;
D25/87, 88

[56] References Cited

U.S. PATENT DOCUMENTS

- D. 251,305 3/1979 Ceglia D25/87
- 2,690,032 9/1954 Zalkind 446/102

- 3,597,875 8/1971 Christiansen 446/128
- 4,270,303 6/1981 Xanthopoulos 446/128

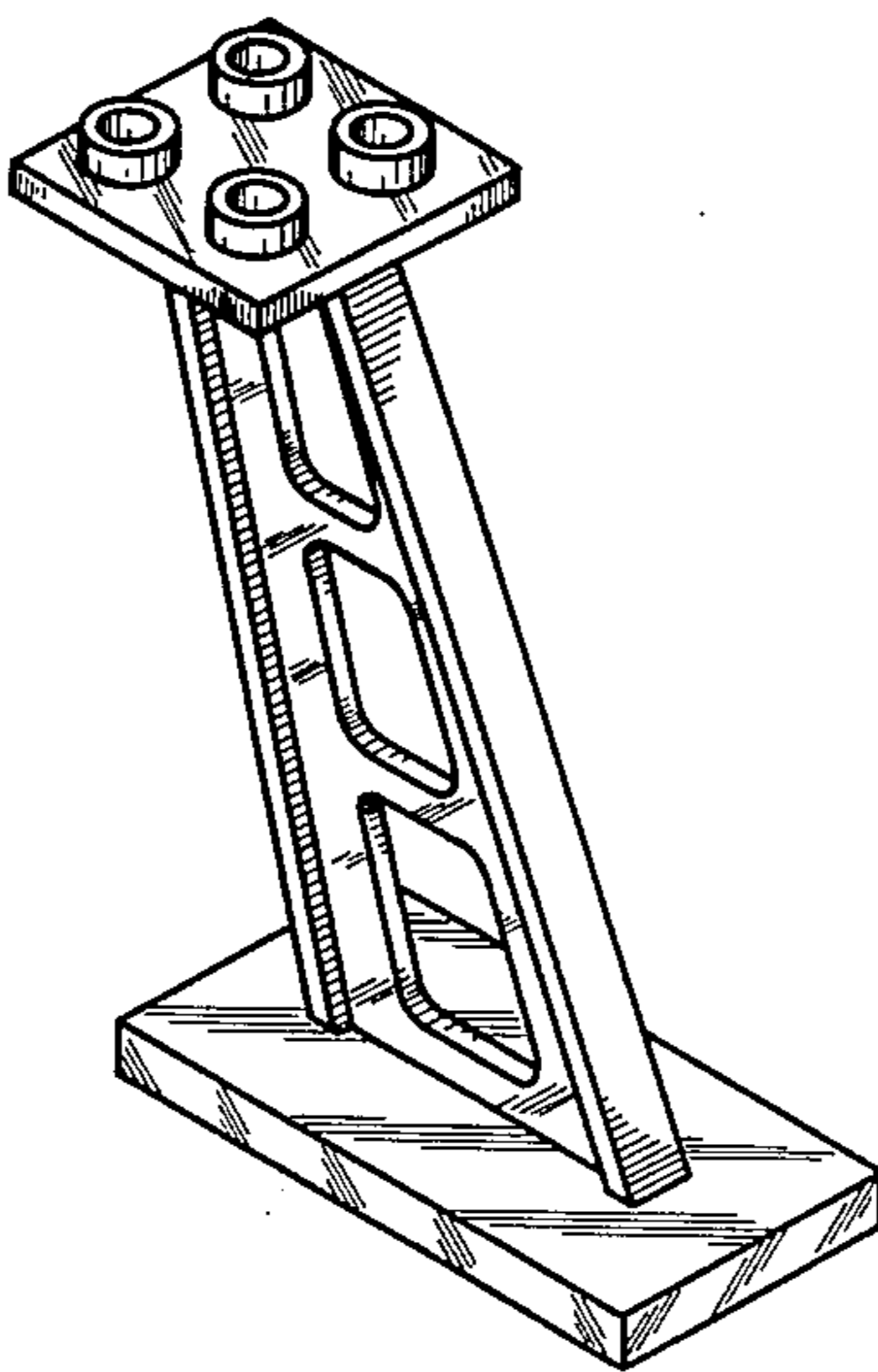
Primary Examiner—Charles A. Rademaker
Attorney, Agent, or Firm—Kane, Dalsimer, Kane,
Sullivan & Kurucz

[57] CLAIM

The ornamental design for a toy construction piece, as shown.

DESCRIPTION

FIG. 1 is a perspective view of a toy construction piece showing my new design;
FIG. 2 is a bottom plan view thereof;
FIG. 3 is a front elevational view thereof, the side opposite being a mirror image;
FIG. 4 is a side elevational view thereof; and,
FIG. 5 is a top plan view thereof.



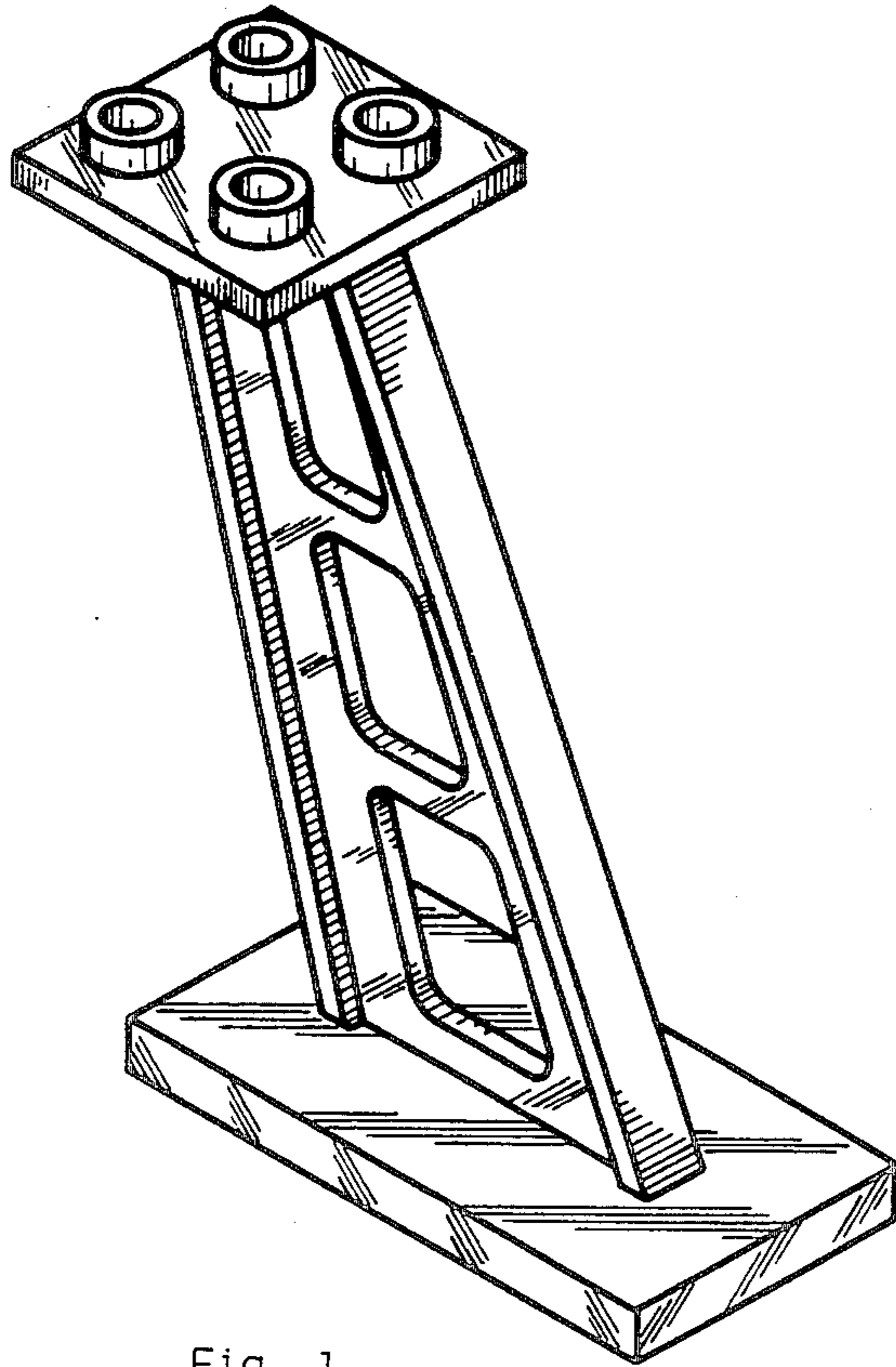


Fig. 1

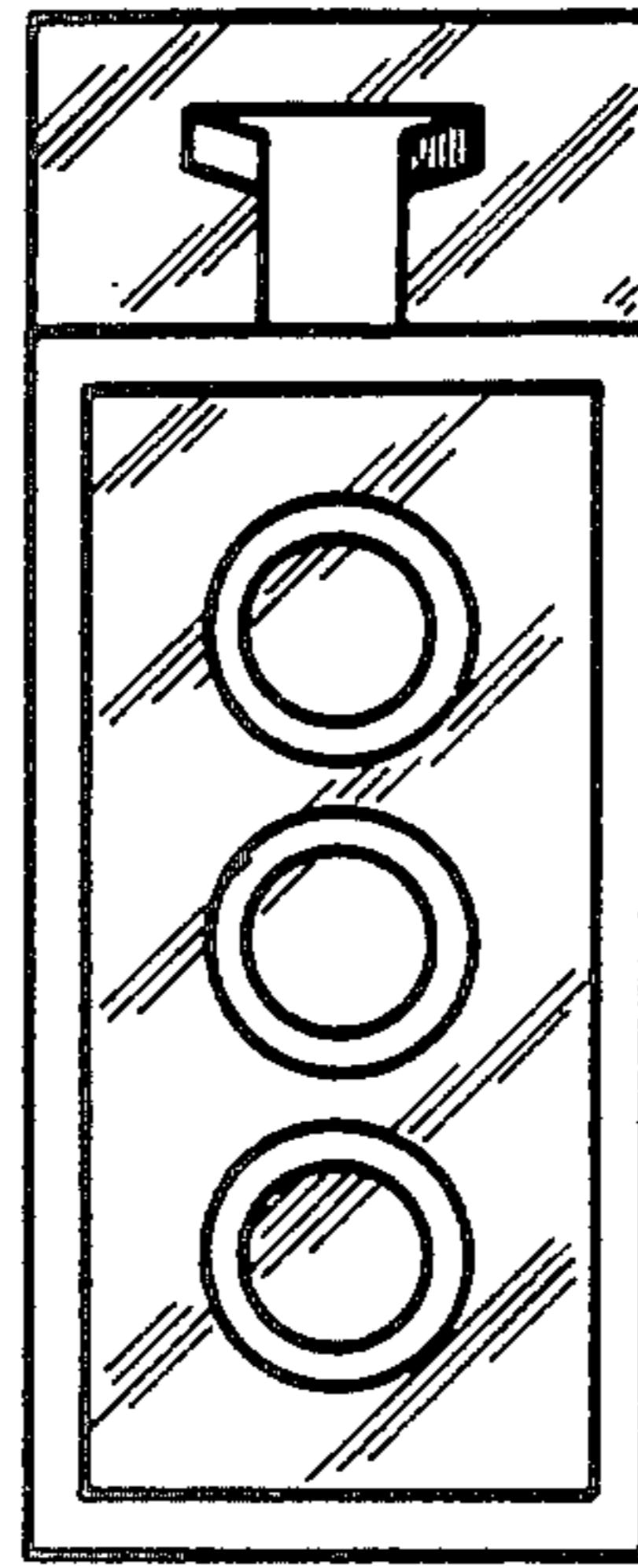


Fig. 2

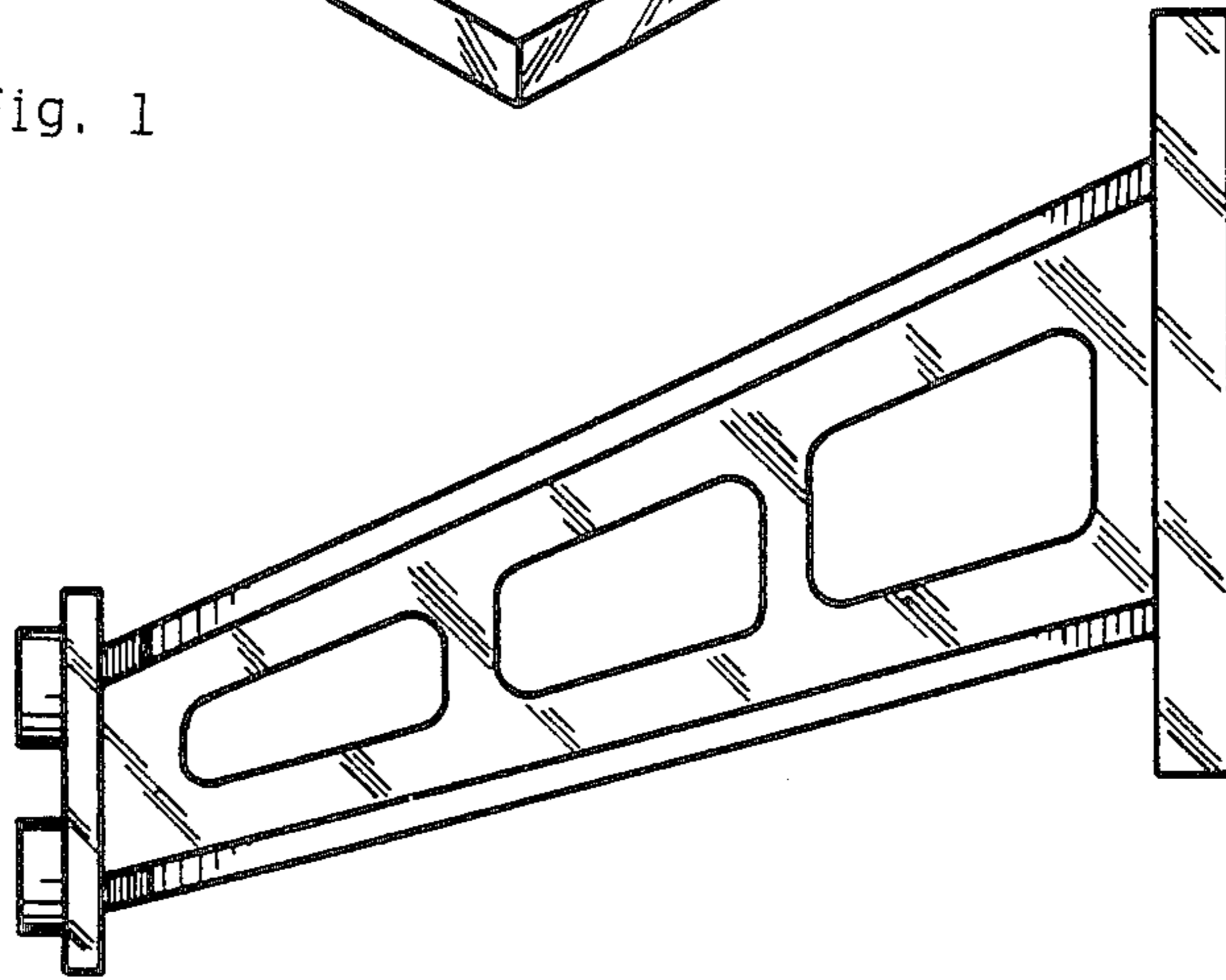


Fig. 3

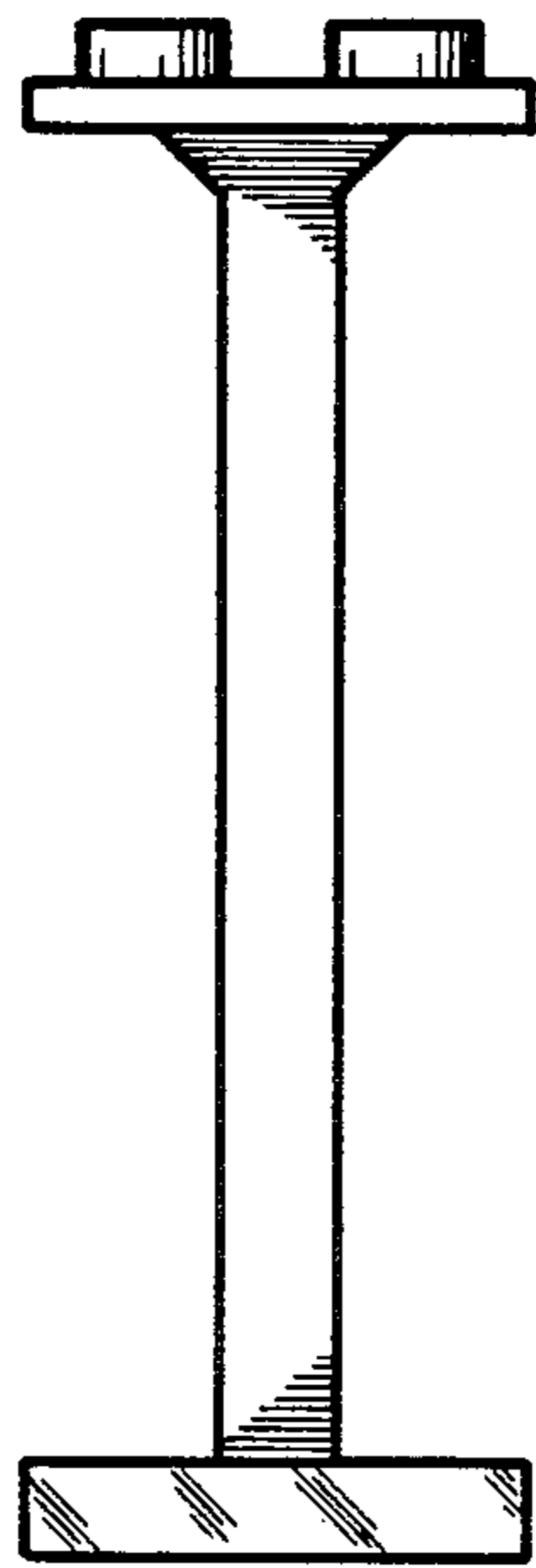


Fig. 4

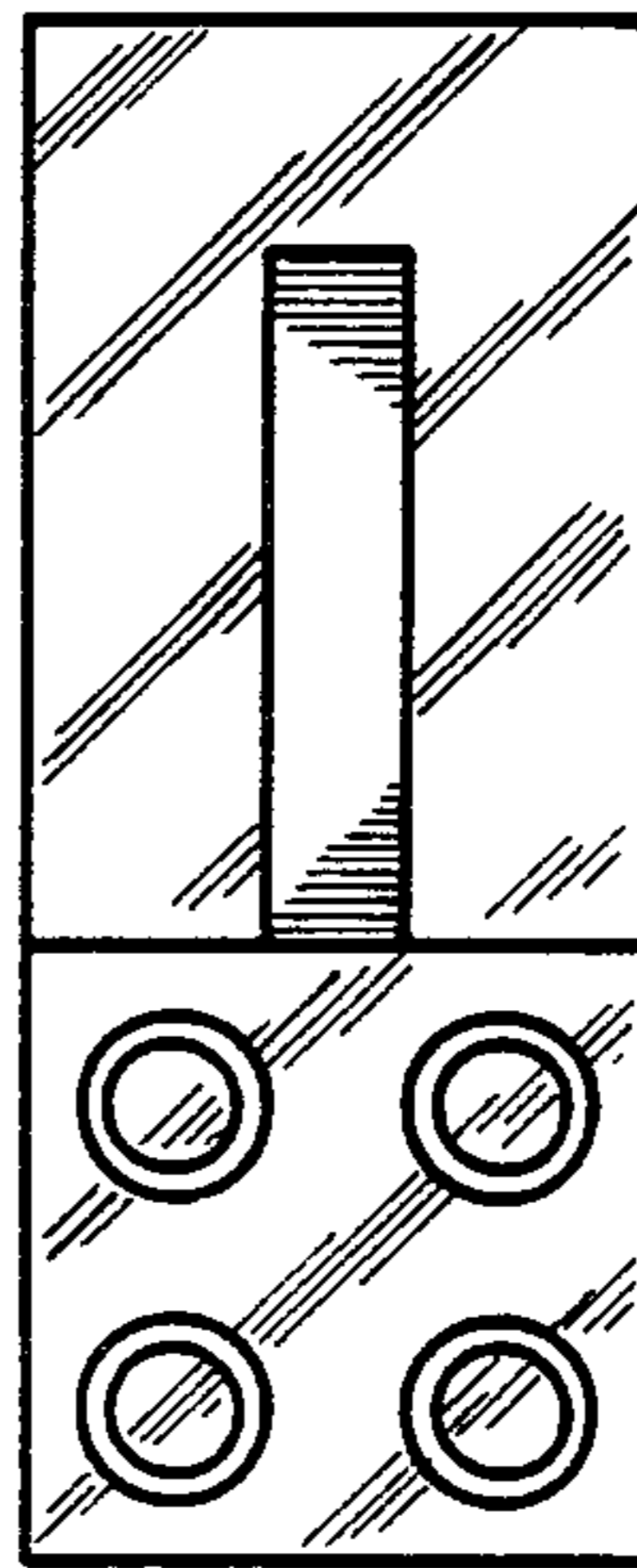


Fig. 5