

[54] TOY SPACECRAFT

[75] Inventor: Steven W. Begg, Maidenhead, England

[73] Assignee: Anderson Burr Pictures Limited, London, England

[**] Term: 14 Years

[21] Appl. No.: 514,462

[22] Filed: Jul. 18, 1983

[30] Foreign Application Priority Data

Jan. 24, 1983 [GB] United Kingdom 1010985

[52] U.S. Cl. D21/87

[58] Field of Search D21/82, 87, 88, 89, D21/90, 124, 128; D12/319, 320, 321; 446/71, 72, 73, 34, 52, 56, 61, 66

[56] References Cited

U.S. PATENT DOCUMENTS

- D. 200,368 2/1965 Cohen et al. D21/87
- D. 219,042 10/1970 King et al. D21/87
- D. 220,983 6/1971 Webb et al. D12/320
- D. 261,286 10/1981 Breneman D21/87

Primary Examiner—Charles A. Rademaker
Attorney, Agent, or Firm—Dressler, Goldsmith, Shore, Sutker & Milnamow, Ltd.

[57] CLAIM

The ornamental design for a toy spacecraft, substantially as shown.

DESCRIPTION

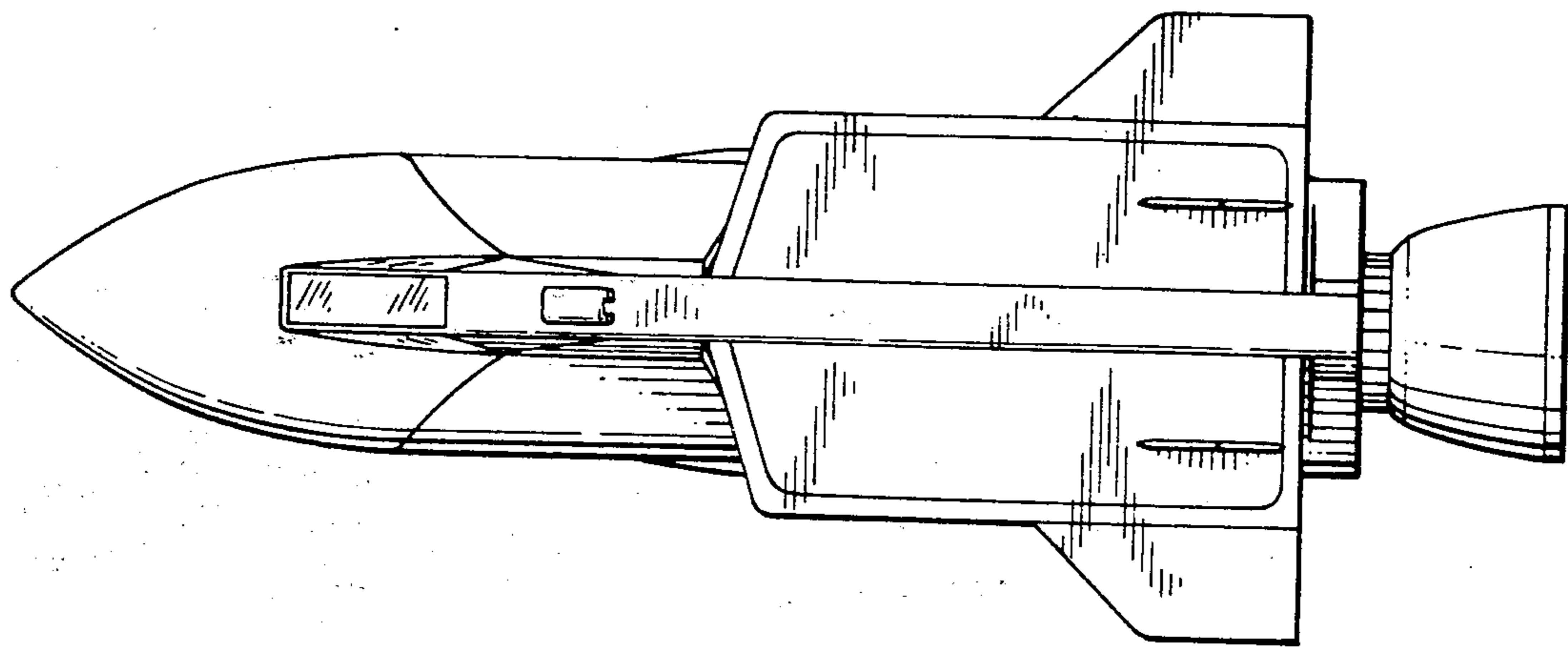
FIG. 1 is a side elevational view of a toy spacecraft showing my new design;

FIG. 2 is a top plan view thereof;

FIG. 3 is a front elevational view thereof;

FIG. 4 is a rear elevational view thereof; and,

FIG. 5 is a bottom plan view thereof.



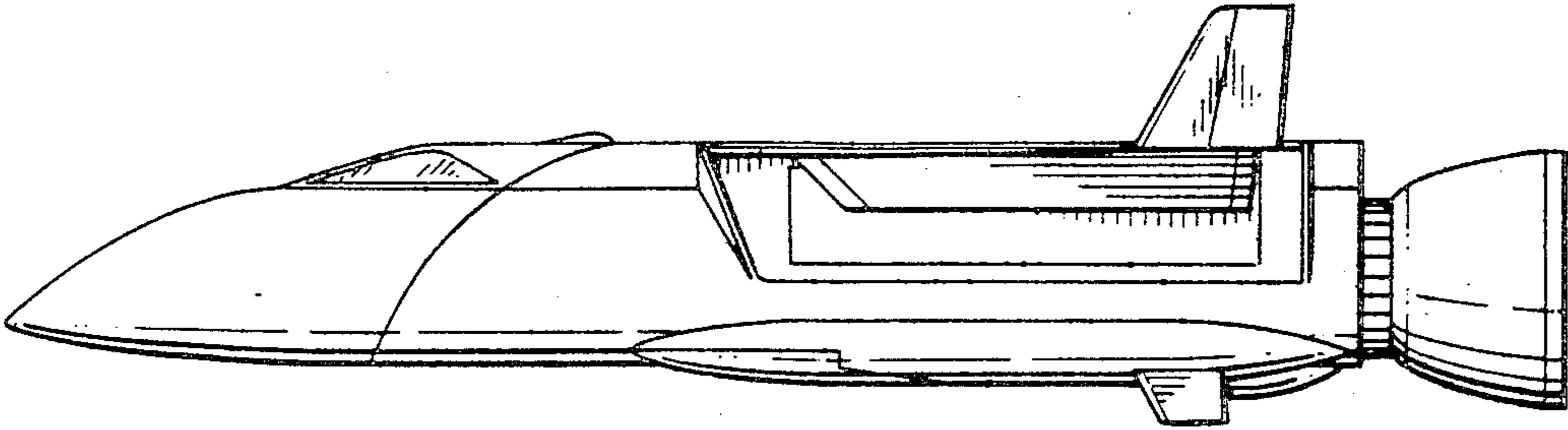


FIG. 1

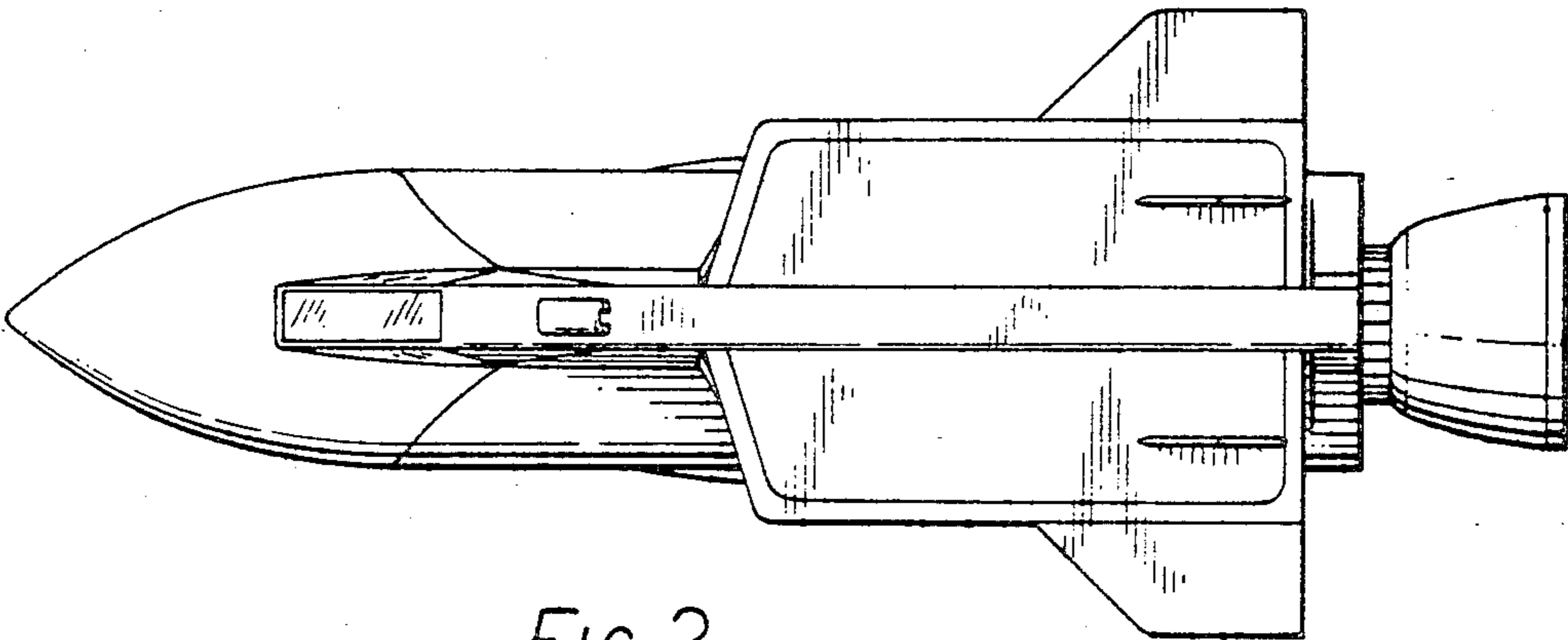


FIG. 2

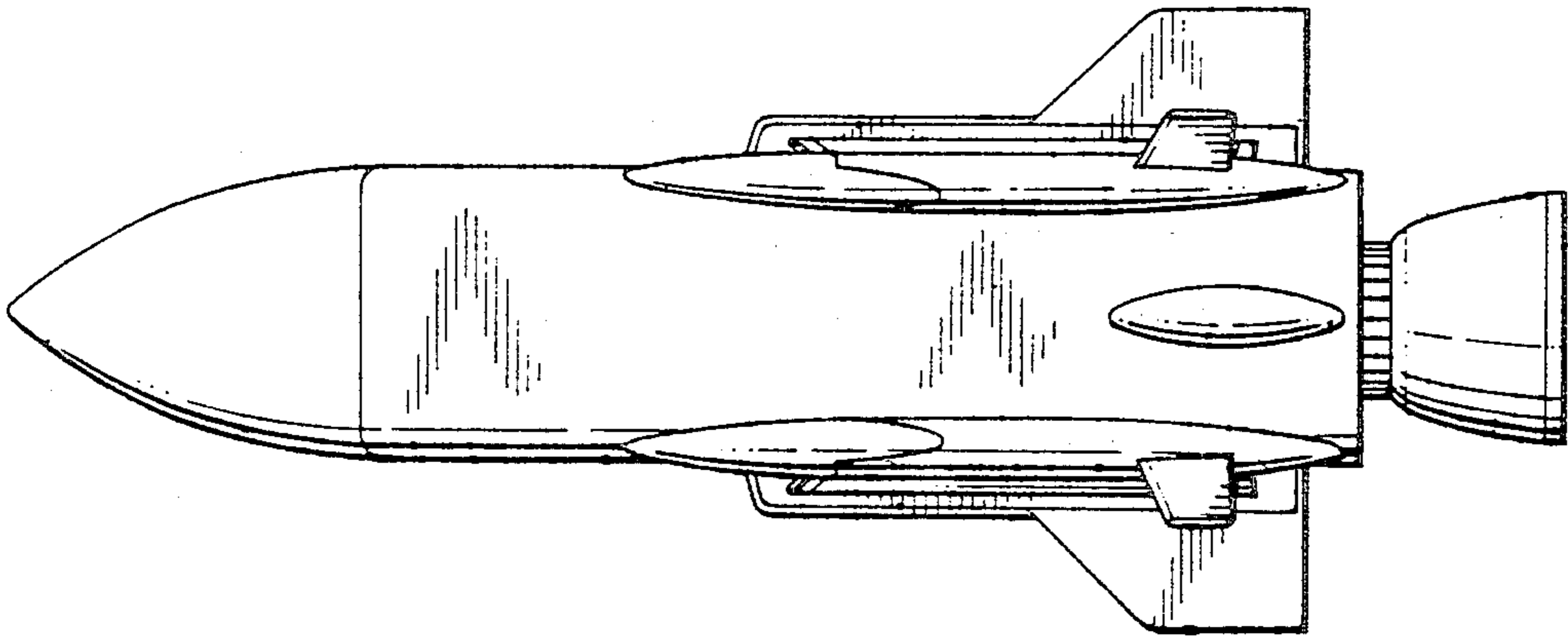


FIG. 5

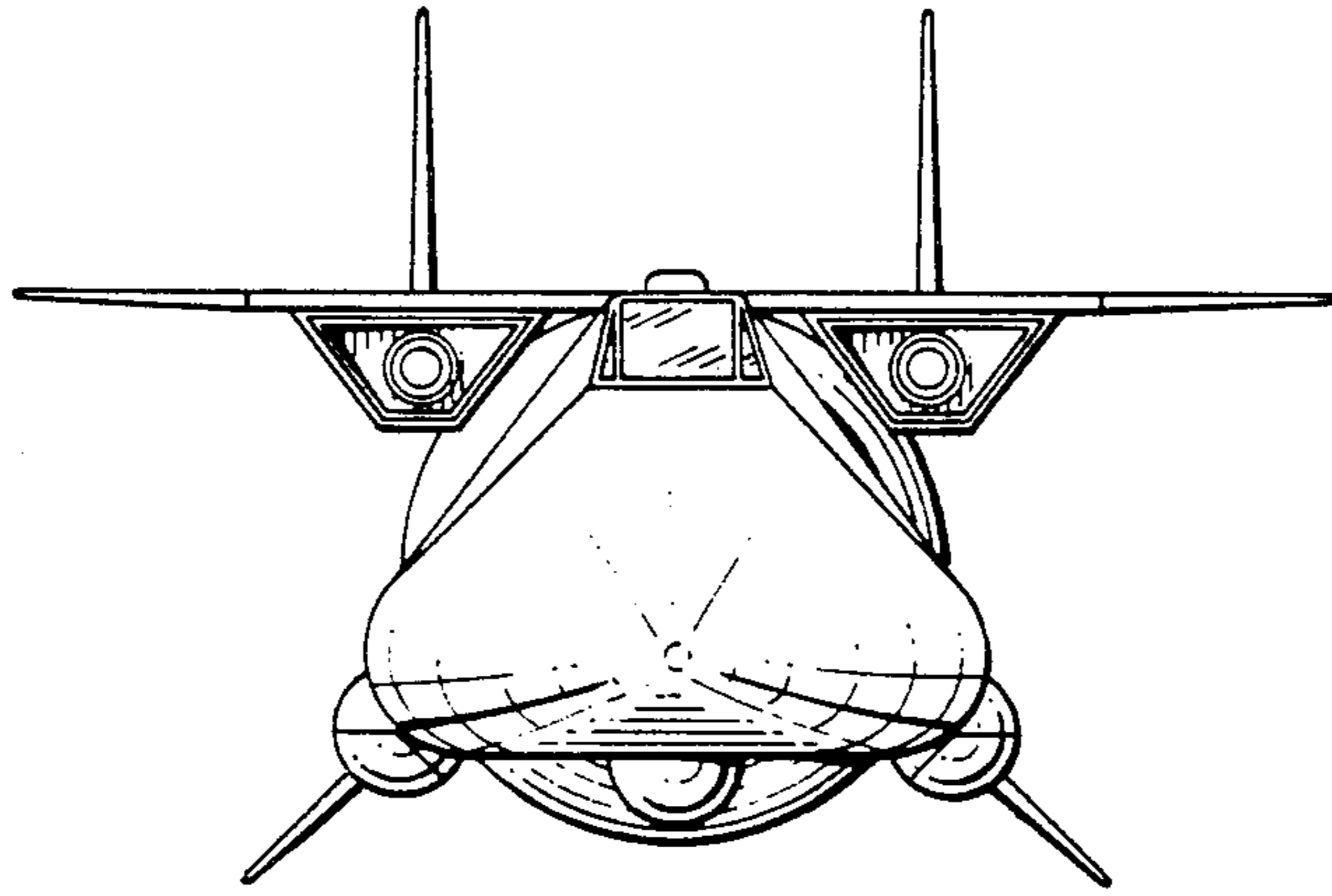


FIG. 3

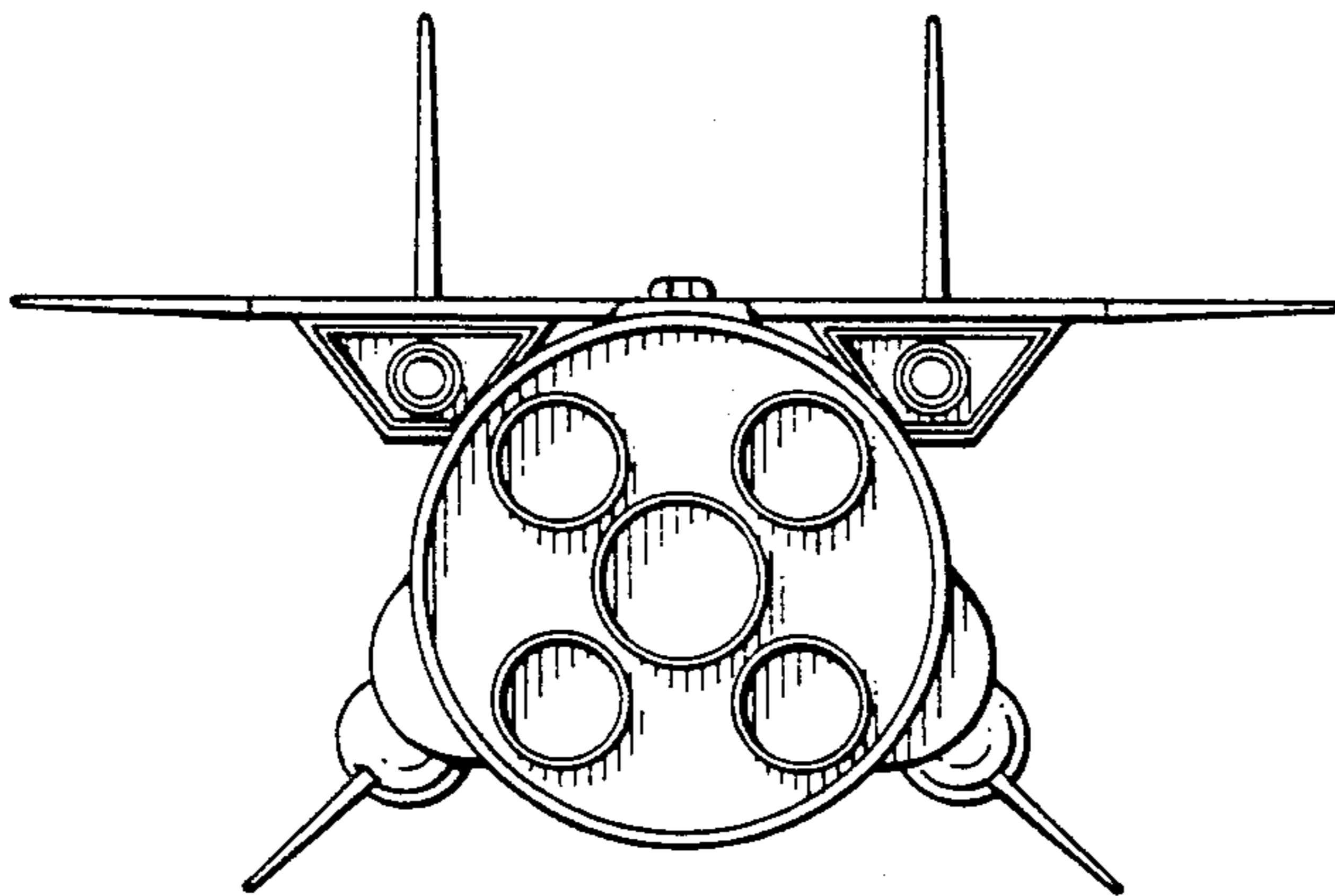


FIG. 4