

[54] TUNING MACHINE FOR GUITAR

D. 275,963 10/1984 Smith D17/20

[75] Inventor: Daniel J. Smith, La Habra, Calif.

OTHER PUBLICATIONS

[73] Assignee: Fender Musical Instruments Corporation, Fullerton, Calif.

Page 13 of Fender Musical Instruments (Assignee herein) 1982 catalog.

[**] Term: 14 Years

Primary Examiner—Jane E. Corrigan
Attorney, Agent, or Firm—Gausewitz, Carr, Rothenberg & Edwards

[21] Appl. No.: 492,347

[57] CLAIM

[22] Filed: May 6, 1983

The ornamental design for a tuning machine for guitar, substantially as shown and described.

[52] U.S. Cl. D17/20

[58] Field of Search D17/14, 15, 18-20;
84/306

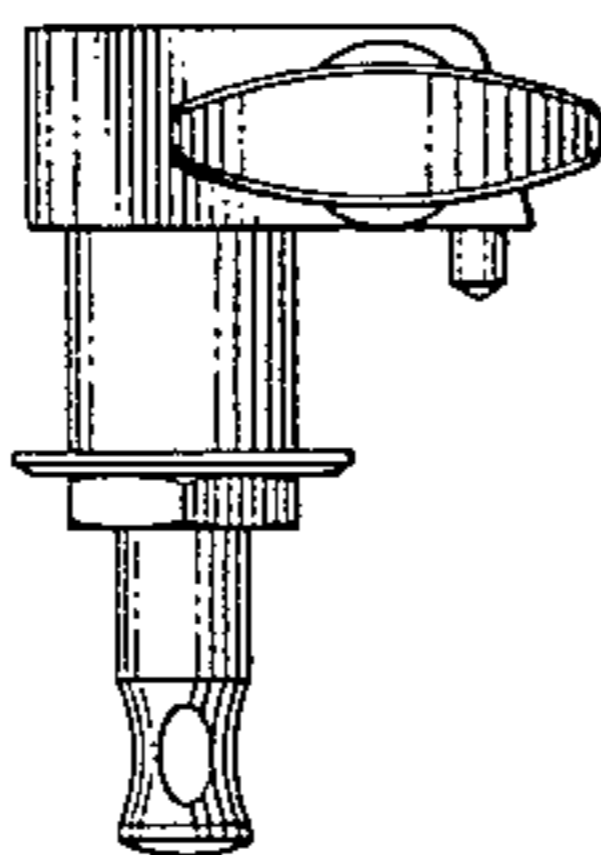
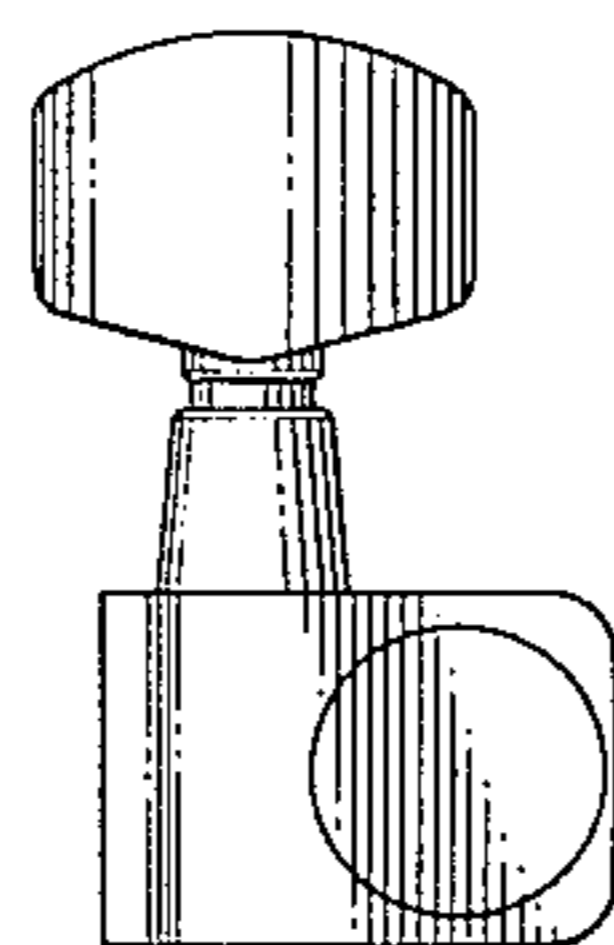
DESCRIPTION

[56] References Cited

U.S. PATENT DOCUMENTS

- D. 216,049 11/1969 Dreyer D17/20
- D. 247,863 5/1978 Sasaki D17/14
- D. 249,583 9/1978 Worthing et al. D17/20
- D. 259,199 5/1981 Kelly et al. D17/14

FIG. 1 is a top plan view of a tuning machine for a guitar showing my new design;
FIG. 2 is a left side elevational view;
FIG. 3 is a right side elevational view;
FIG. 4 is a rear elevational view;
FIG. 5 is a front elevational view; and
FIG. 6 is a bottom plan view.



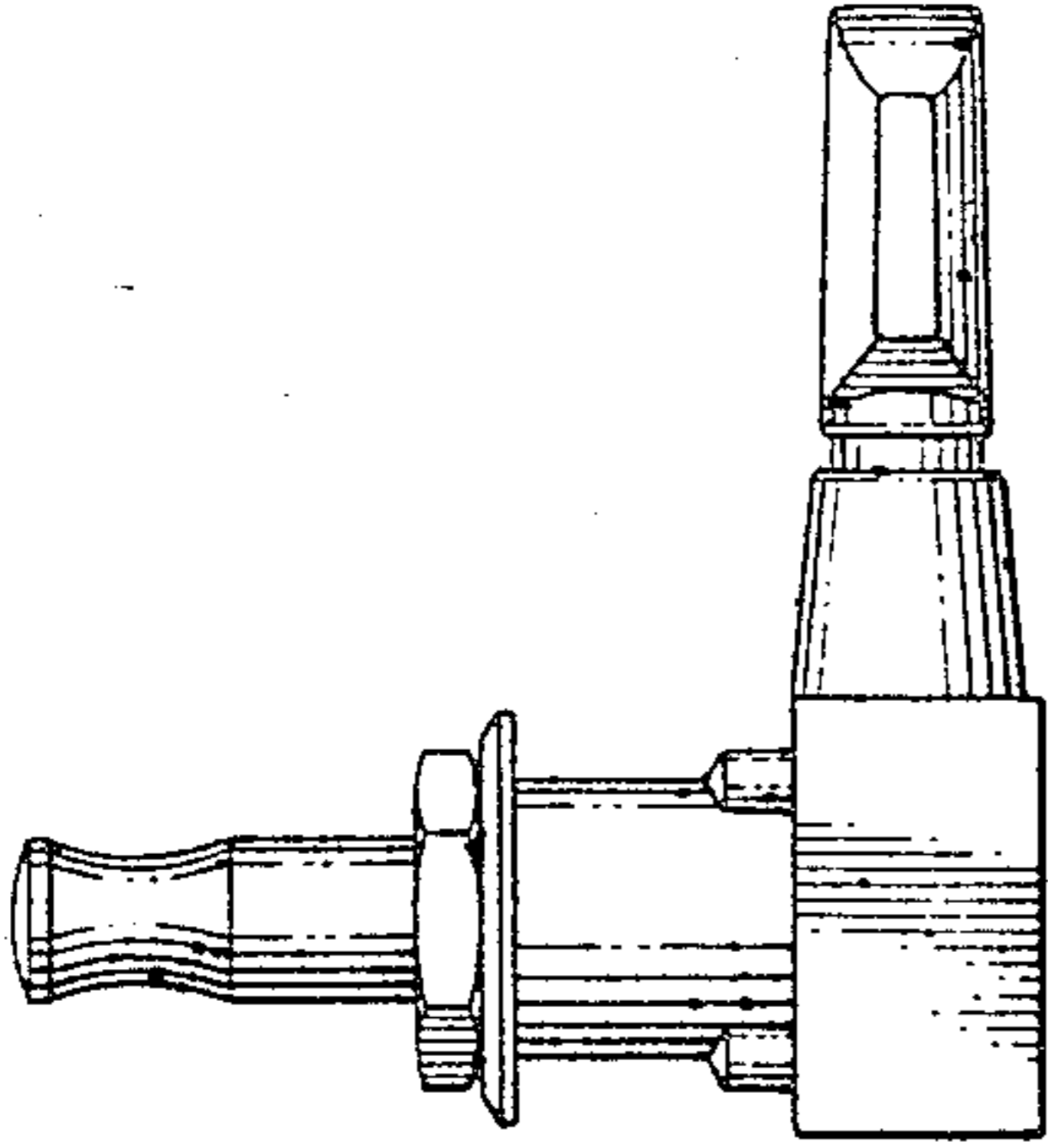


FIG. 2.

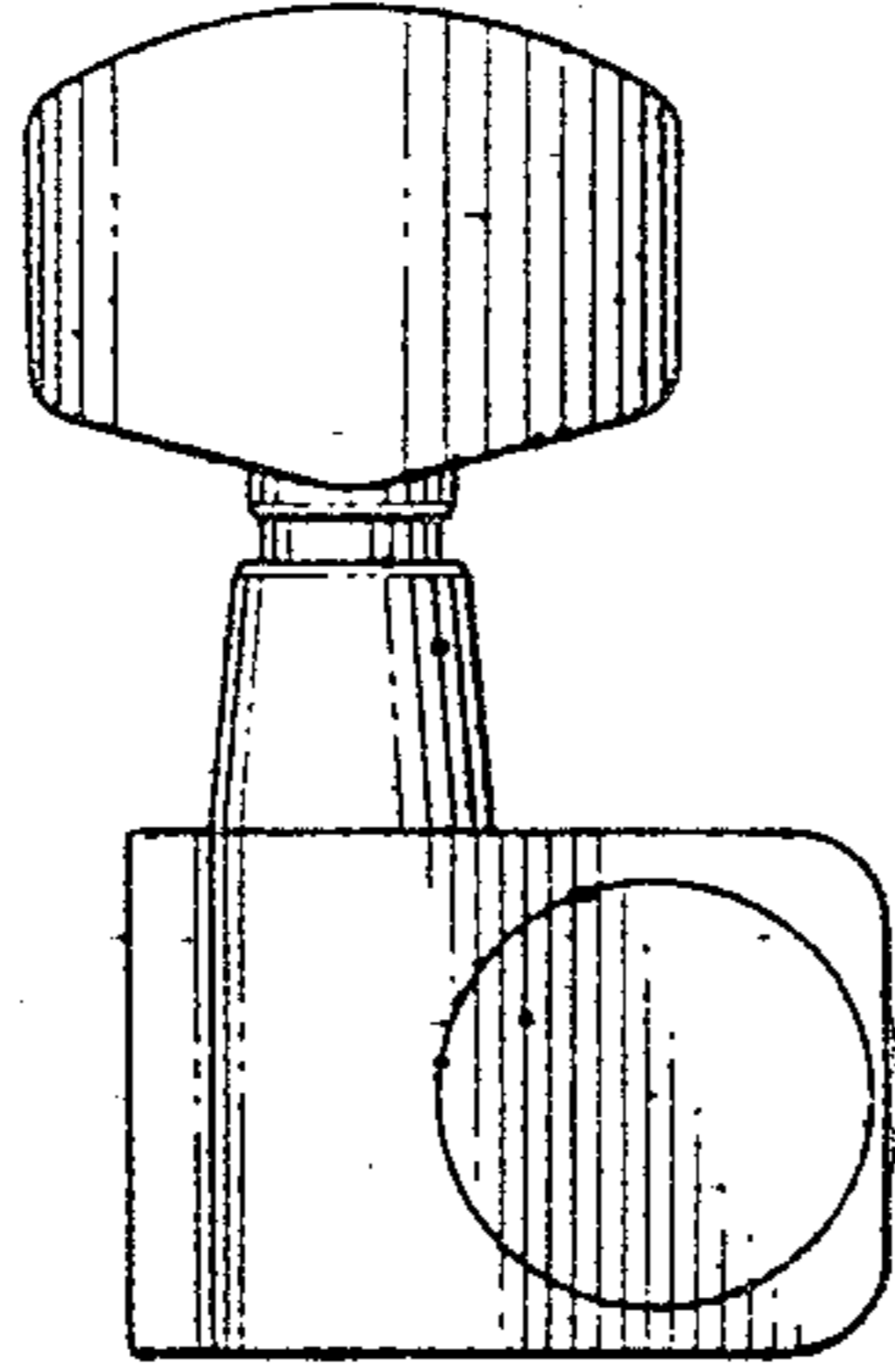


FIG. 1.

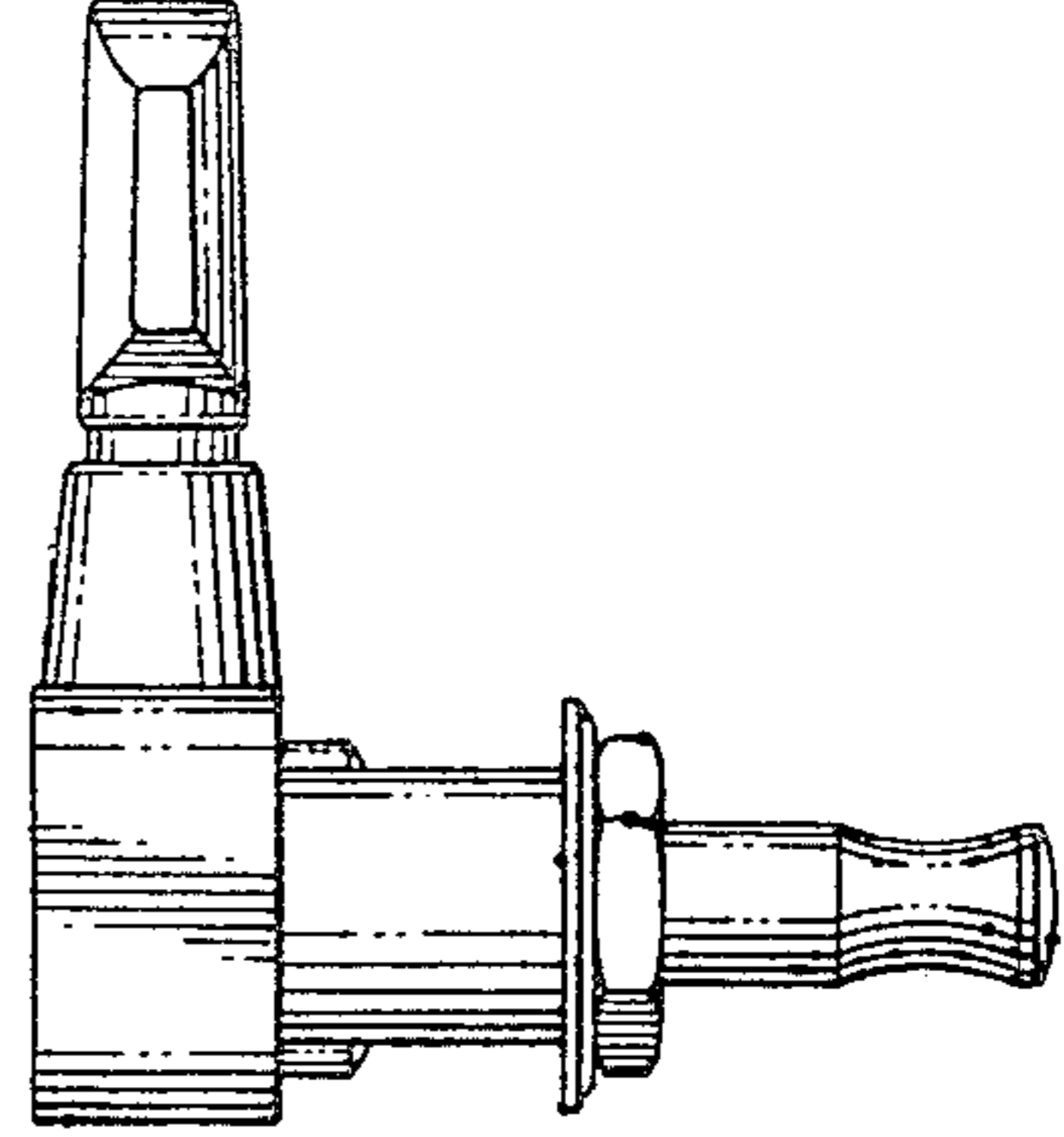


FIG. 3.

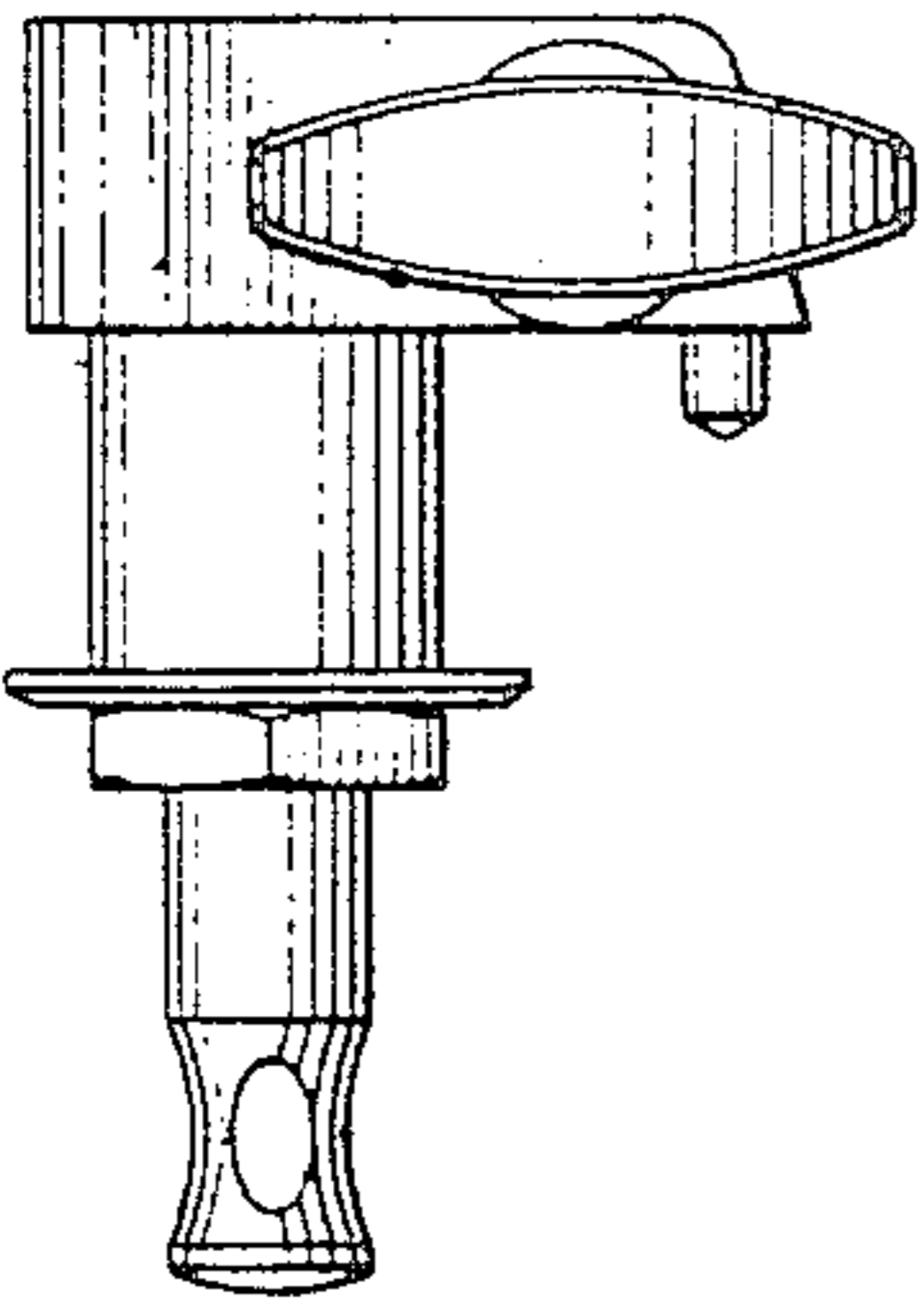


FIG. 4.

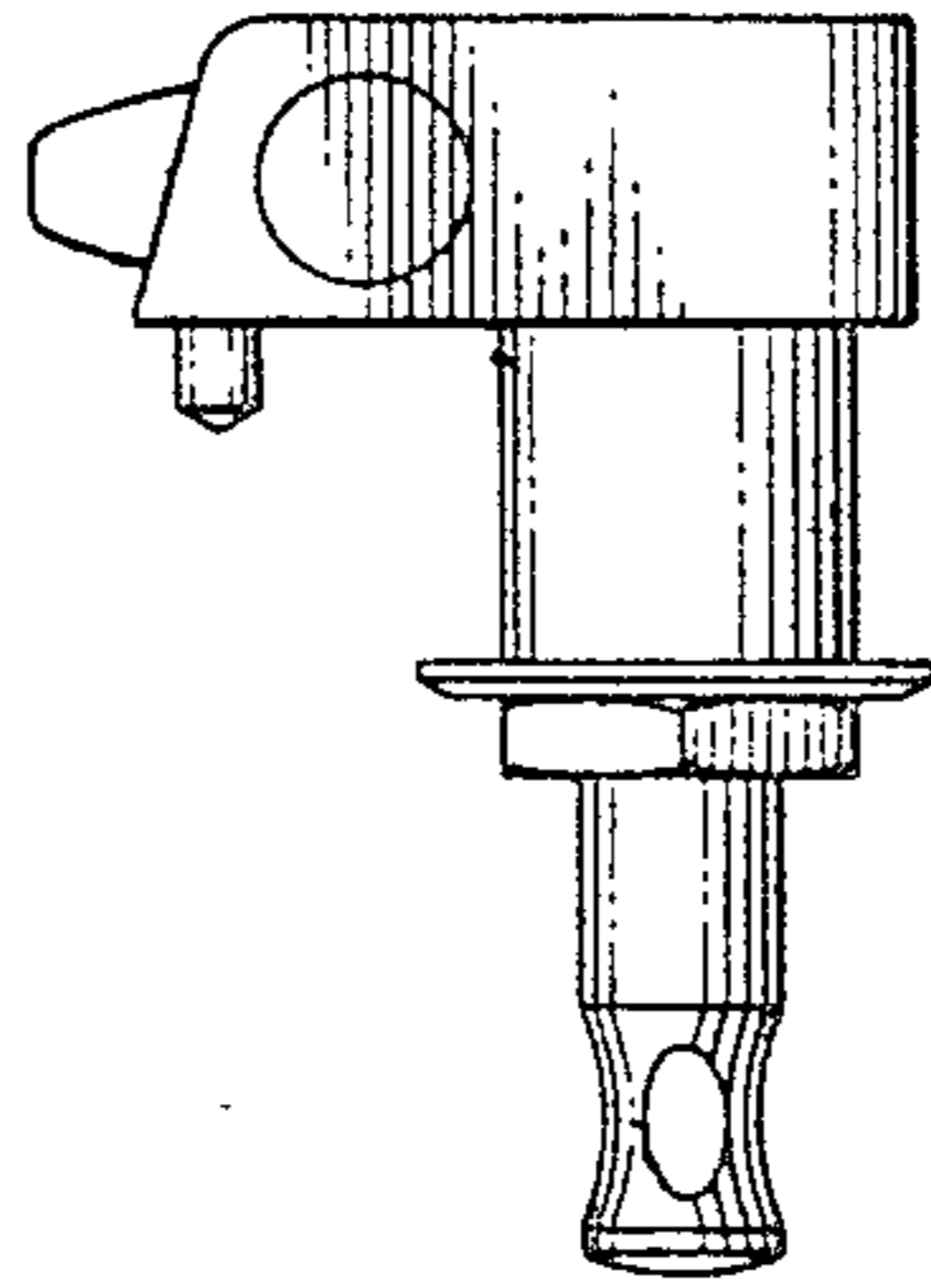


FIG. 5.

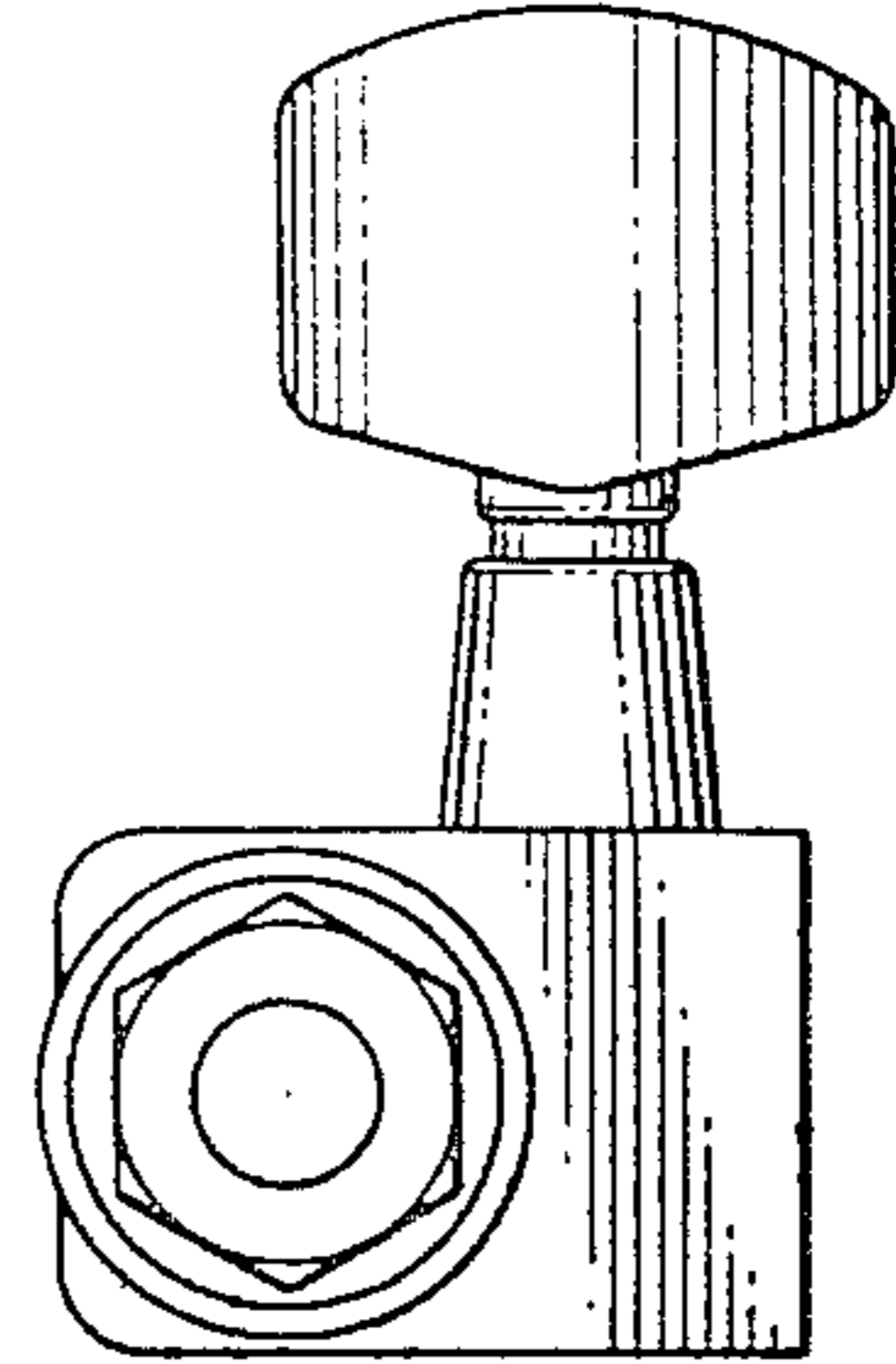


FIG. 6.