

[54] STRING TREE FOR GUITARS

[75] Inventor: John F. Page, La Mirada, Calif.

[73] Assignee: Fender Musical Instruments Corporation, Fullerton, Calif.

[\*\*] Term: 14 Years

[21] Appl. No.: 492,346

[22] Filed: May 6, 1983

[52] U.S. Cl. .... D17/20

[58] Field of Search ..... D17/14, 15, 18-20; 84/314 N, 297 R, 267

[56] References Cited

U.S. PATENT DOCUMENTS

3,427,916 2/1969 Fender ..... 84/267  
4,248,127 2/1981 Lieber ..... 84/314 N

OTHER PUBLICATIONS

*The Guitar Book*, T. Wheeler, ©'74, Harper & Row, N.Y., p. 116, top photo, string guide. Pages 4,12,14,18,20 and 22 of Fender Musical Instruments (Assignee herein) 1982 catalog.

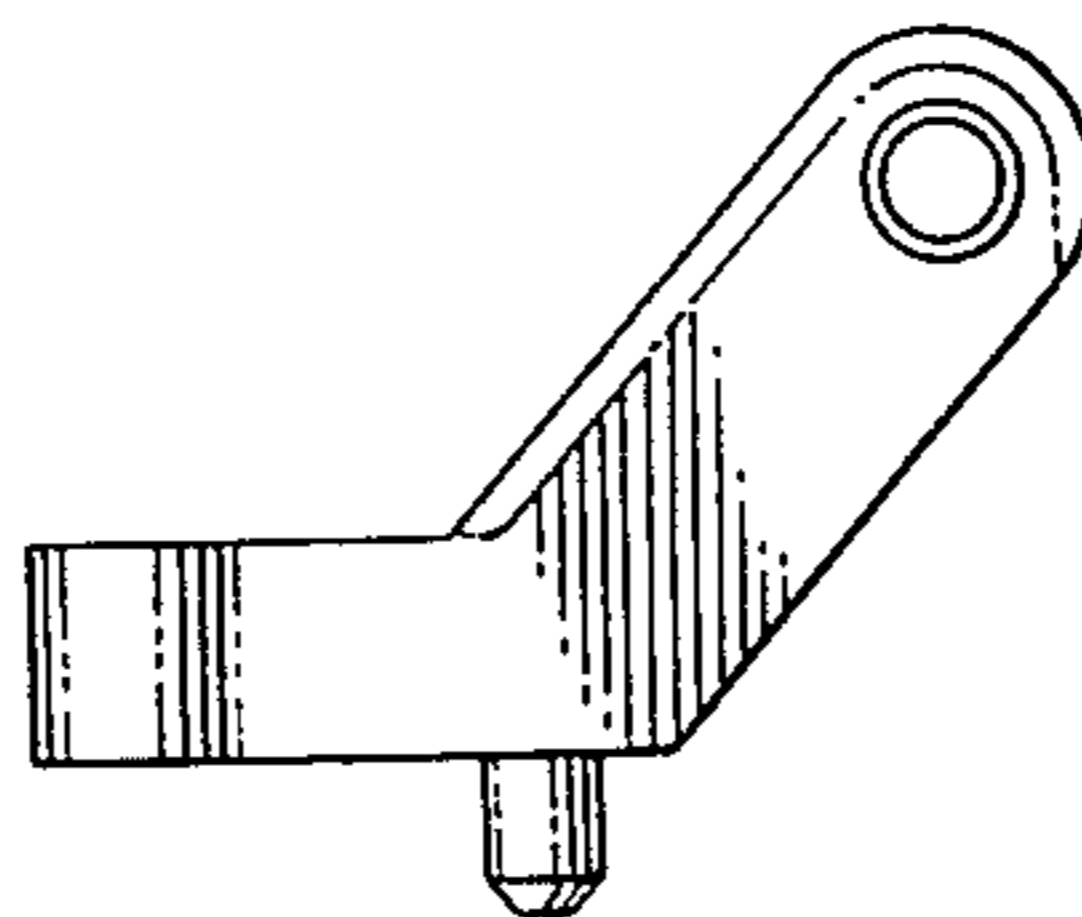
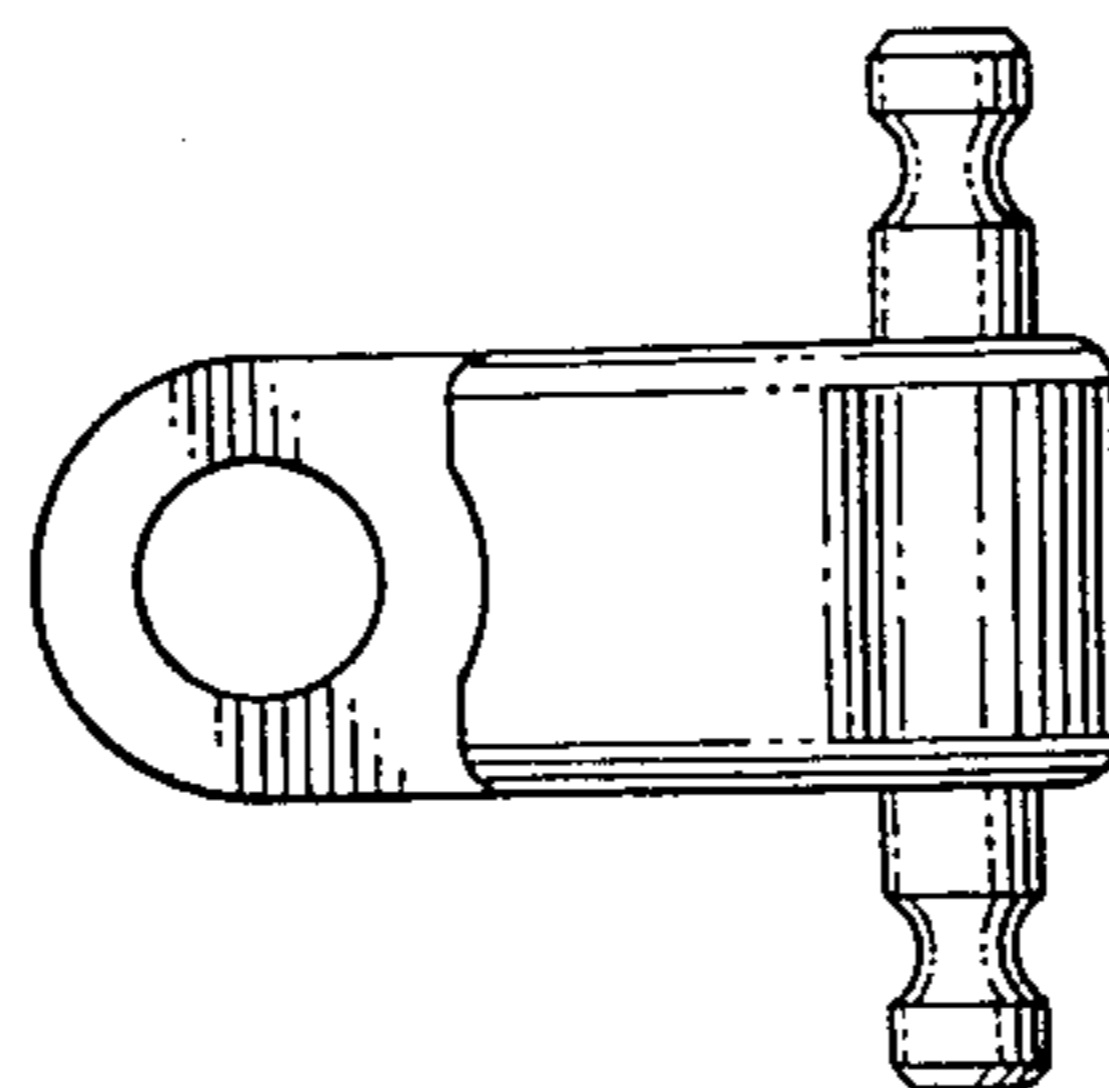
Primary Examiner—Jane E. Corrigan  
Attorney, Agent, or Firm—Gausewitz, Carr, Rothenberg & Edwards

CLAIM

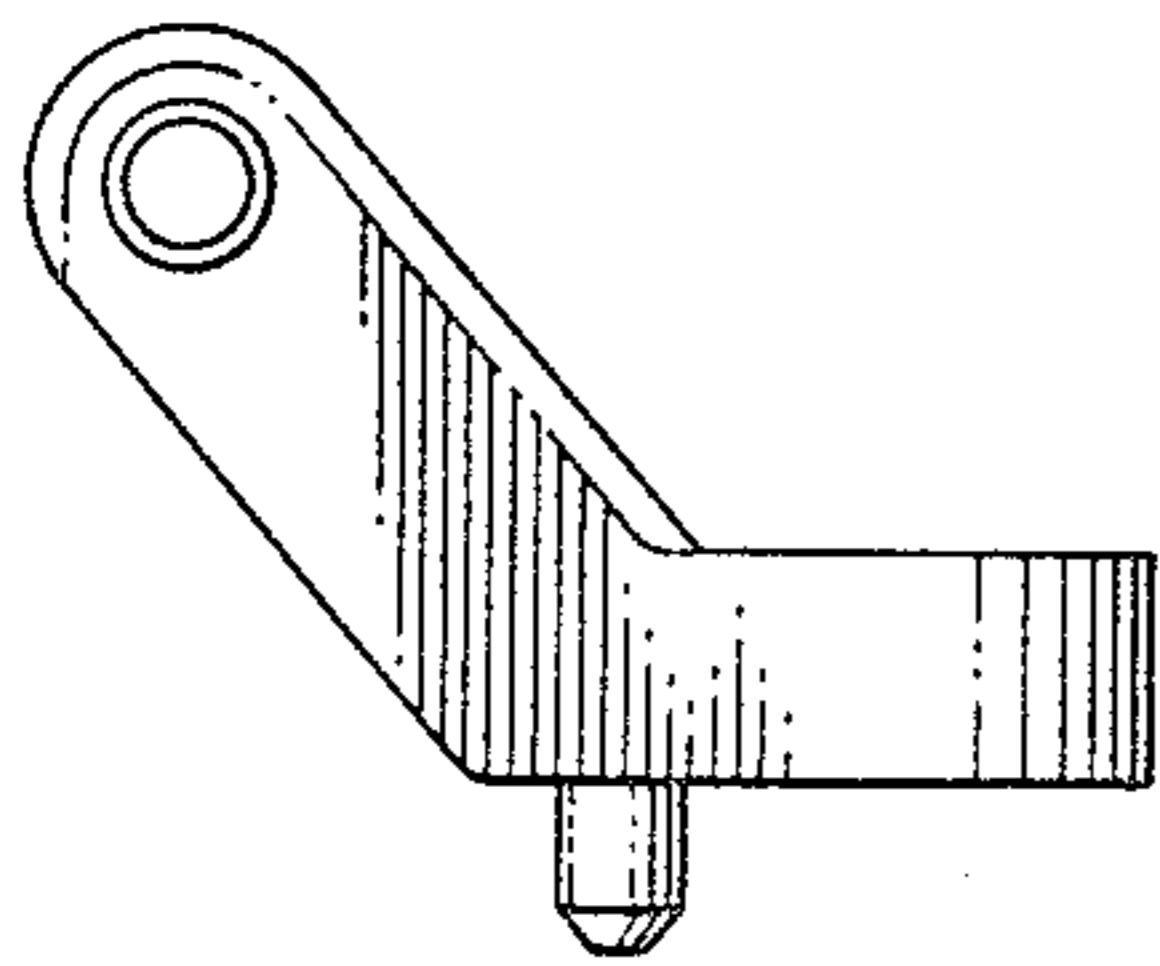
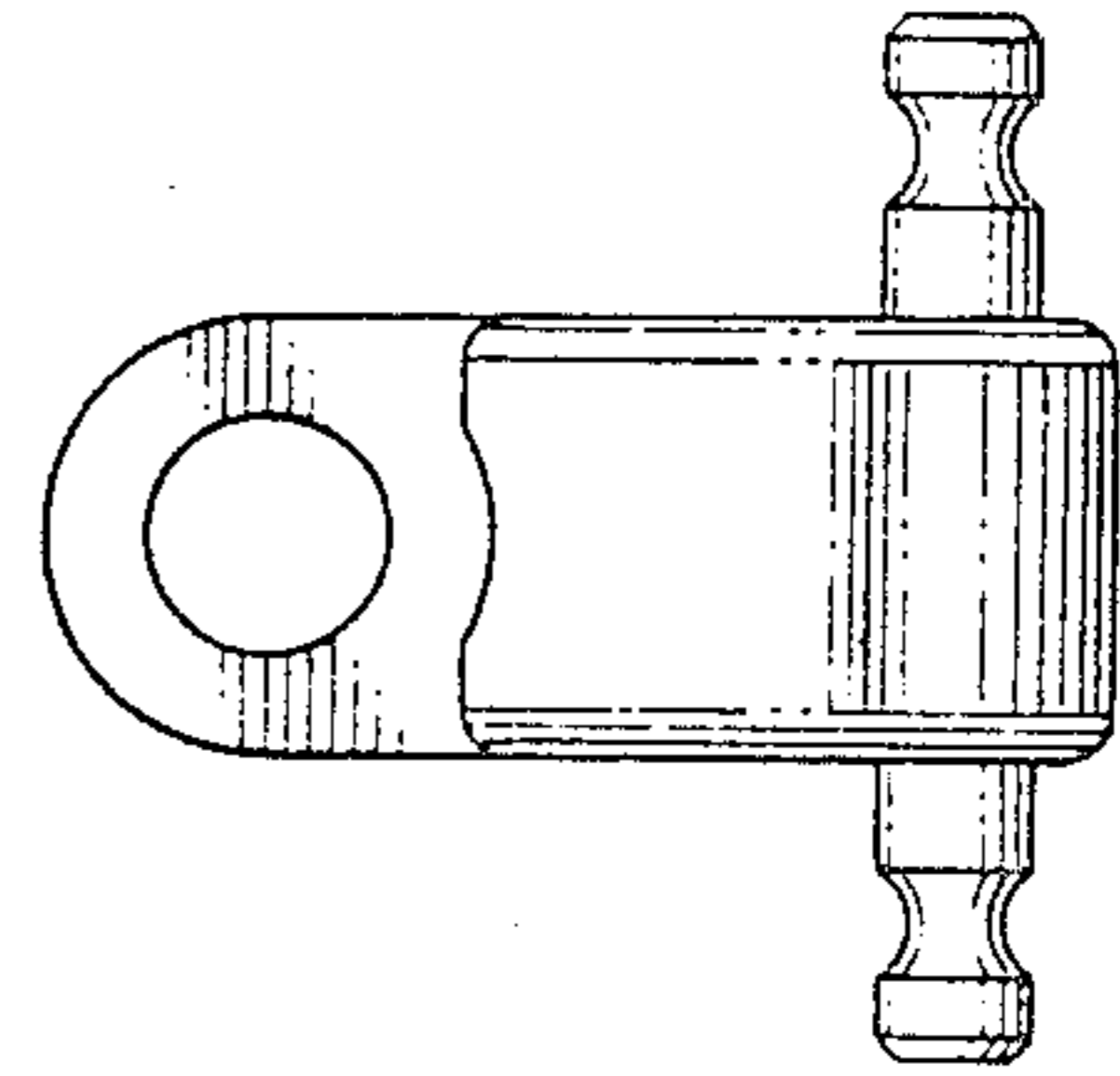
[57] The ornamental design for a string tree for guitars, substantially as shown and described.

DESCRIPTION

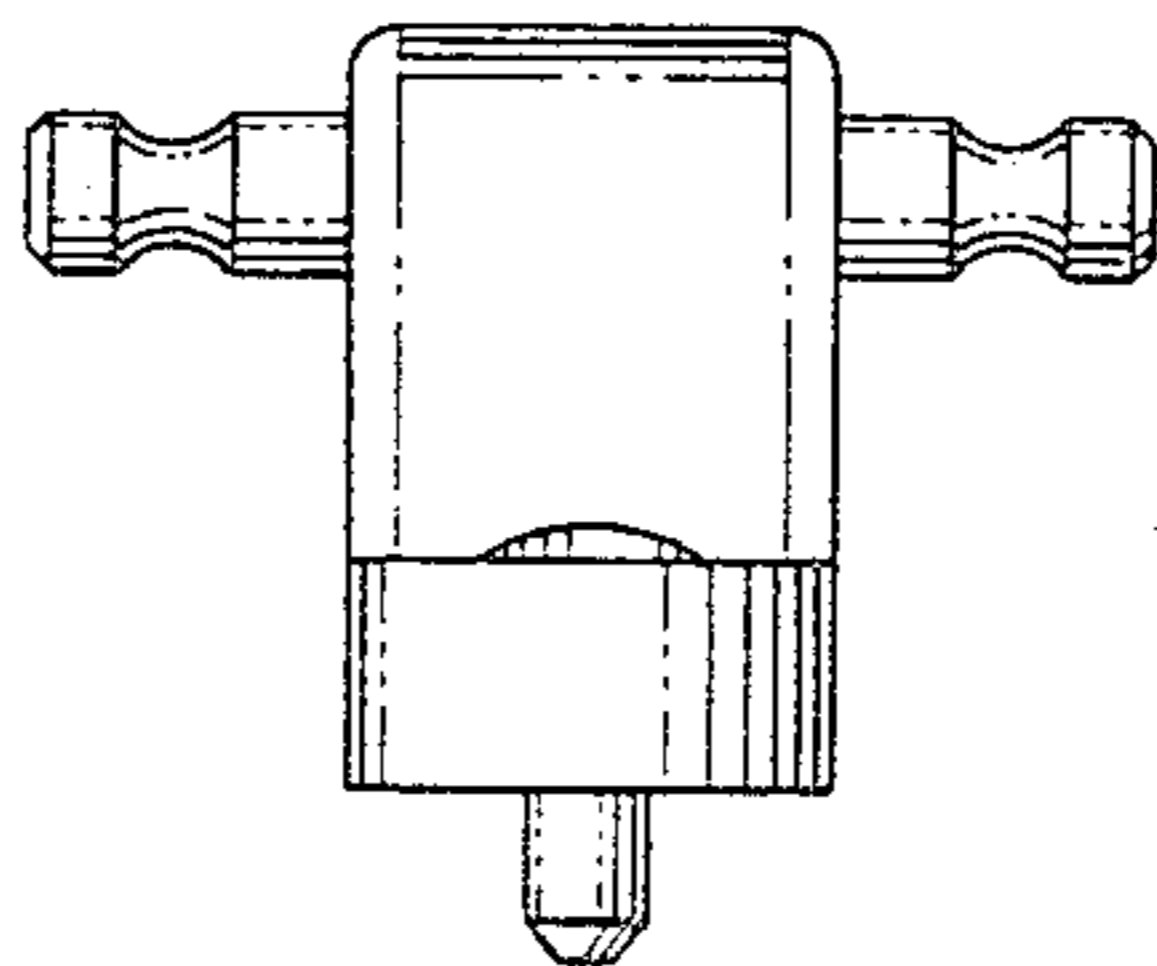
FIG. 1 is a top plan view of a string tree for guitars showing my new design;  
FIG. 2 is a left side elevational view;  
FIG. 3 is a right side elevational view;  
FIG. 4 is a front elevational view;  
FIG. 5 is a rear elevational view; and  
FIG. 6 is a bottom plan view.



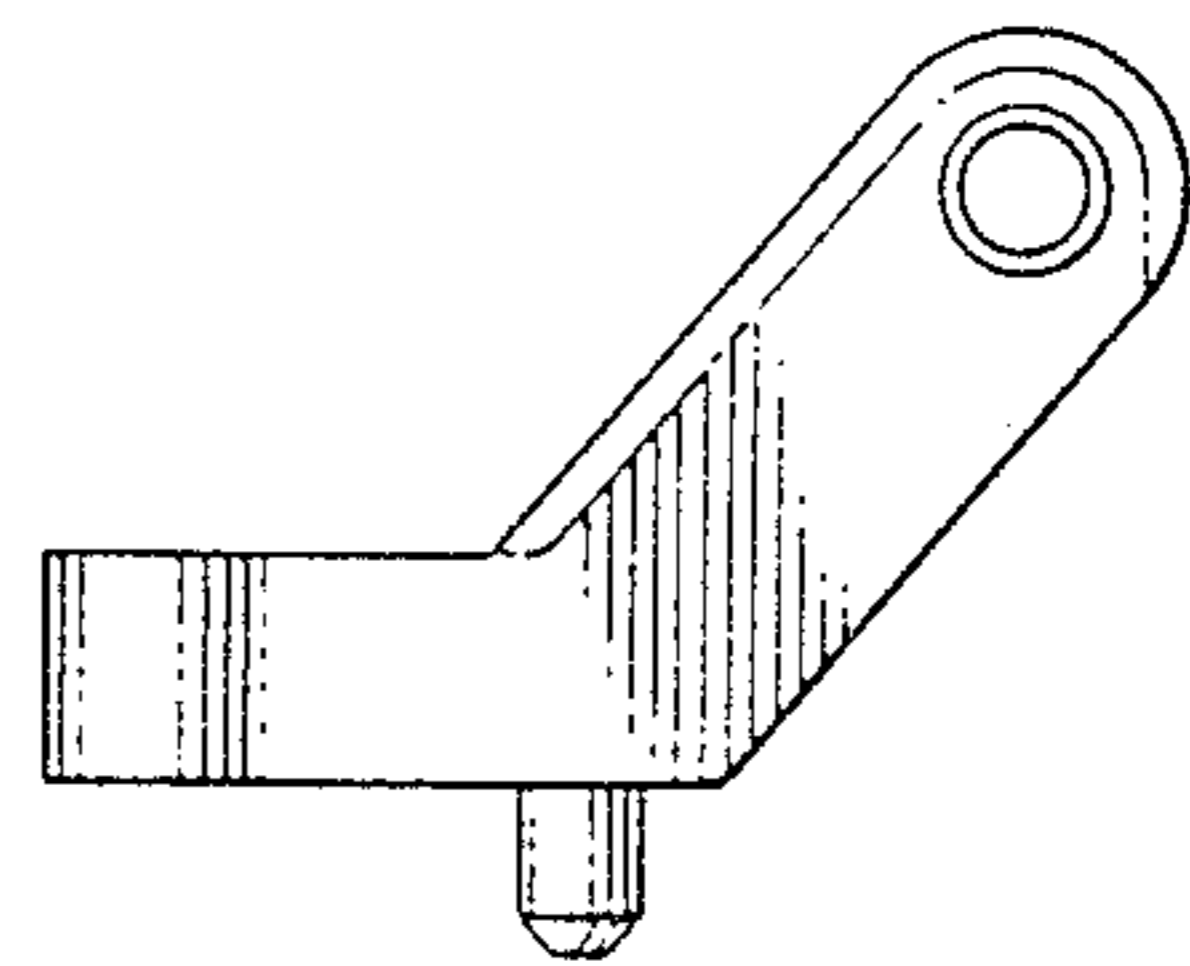
*FIG. 1.*



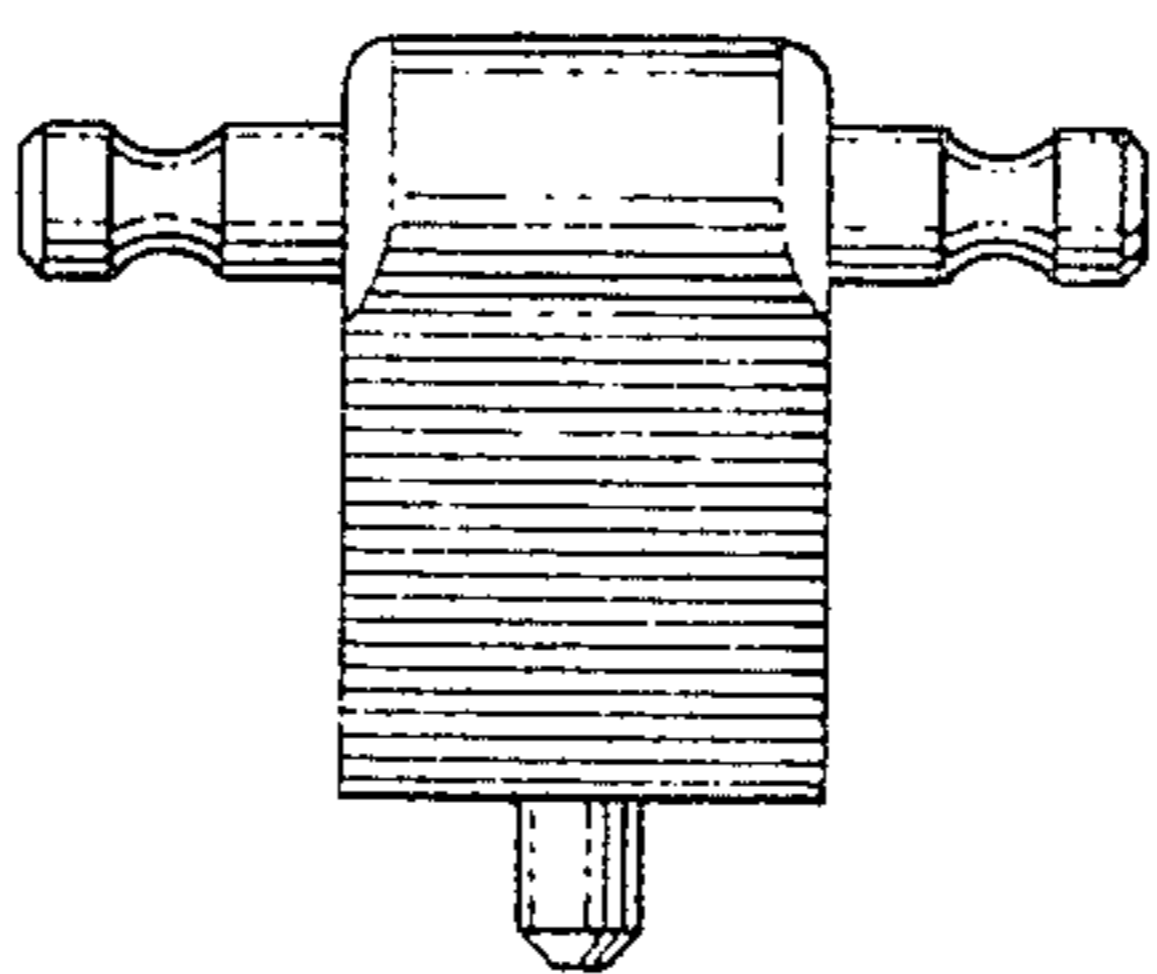
*FIG. 2.*



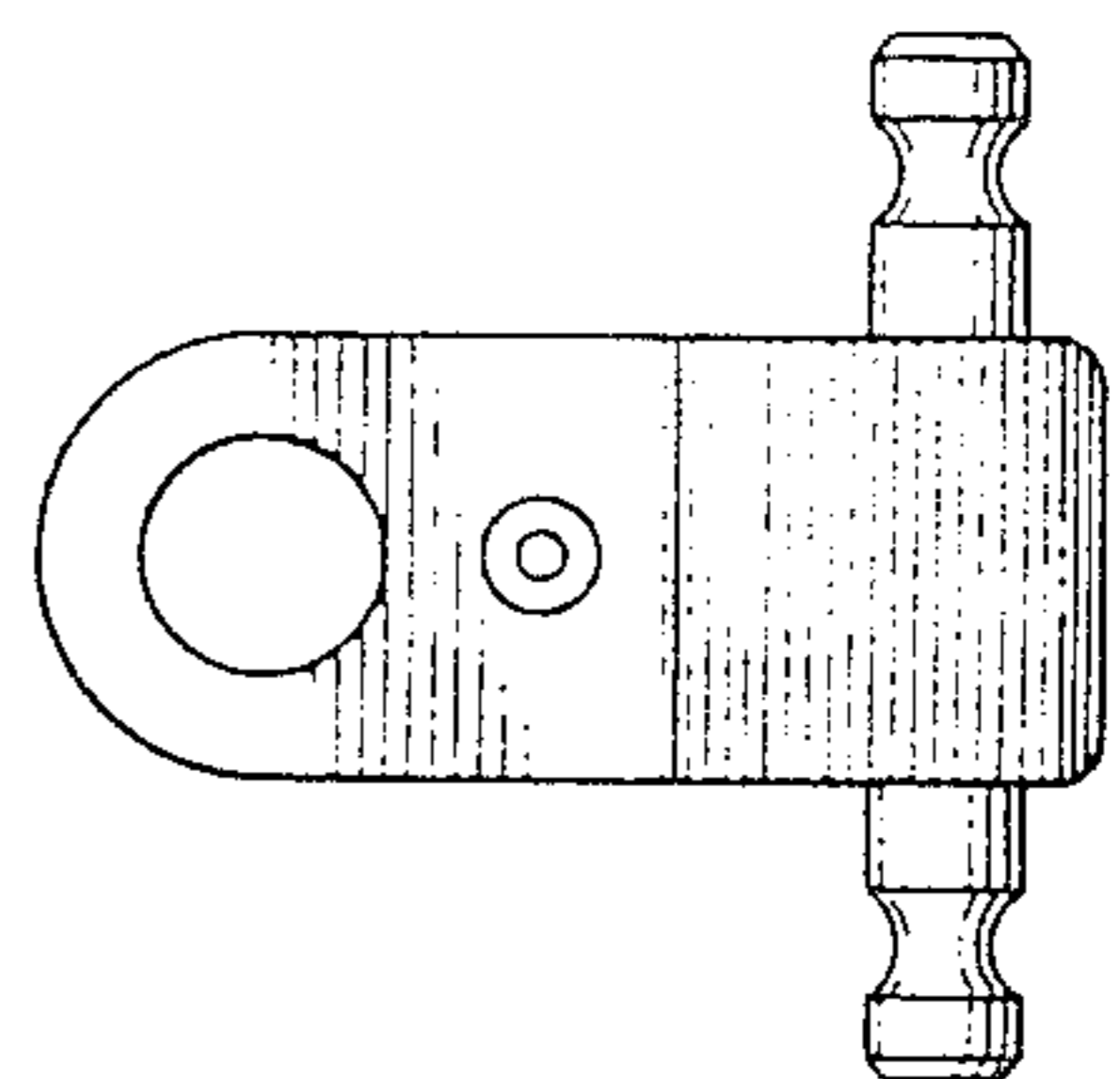
*FIG. 4.*



*FIG. 3.*



*FIG. 5.*



*FIG. 6.*