

[54] DUAL MODE DOCUMENT COPIER

[75] Inventors: Harry F. Eiland, Cerritos; Glen S. Keith, Cardiff By the Sea, both of Calif.

[73] Assignee: Xerox Corporation, Stamford, Conn.

[\*\*] Term: 14 Years

[21] Appl. No.: 513,936

[22] Filed: Jul. 14, 1983

[52] U.S. Cl. .... D16/30

[58] Field of Search ..... D16/27-32, D16/30; 355/3 R, 3 SH, 5-11, 14 SH, 18-19, 44-45, 51, 54, 64-65

[56] References Cited

U.S. PATENT DOCUMENTS

- D. 243,238 2/1977 Olson ..... D16/30
- D. 255,456 6/1980 Bevilacqua ..... D16/30
- D. 266,568 10/1982 Sakow ..... D16/30
- D. 270,539 9/1983 Horie ..... D16/30
- 4,334,764 6/1982 Rawson ..... 355/3 SH X

Primary Examiner—Nelson C. Holtje

Attorney, Agent, or Firm—Franklyn C. Weiss

[57] CLAIM

The ornamental design for a dual mode document copier, or the like, as shown.

DESCRIPTION

FIG. 1 is a front and top-left perspective view of a dual mode document copier or the like showing our new design;

FIG. 2 is a front elevational view thereof;

FIG. 3 is a right side elevational view thereof;

FIG. 4 is a rear elevational view thereof;

FIG. 5 is a left side elevational view thereof;

FIG. 6 is a top plan view thereof;

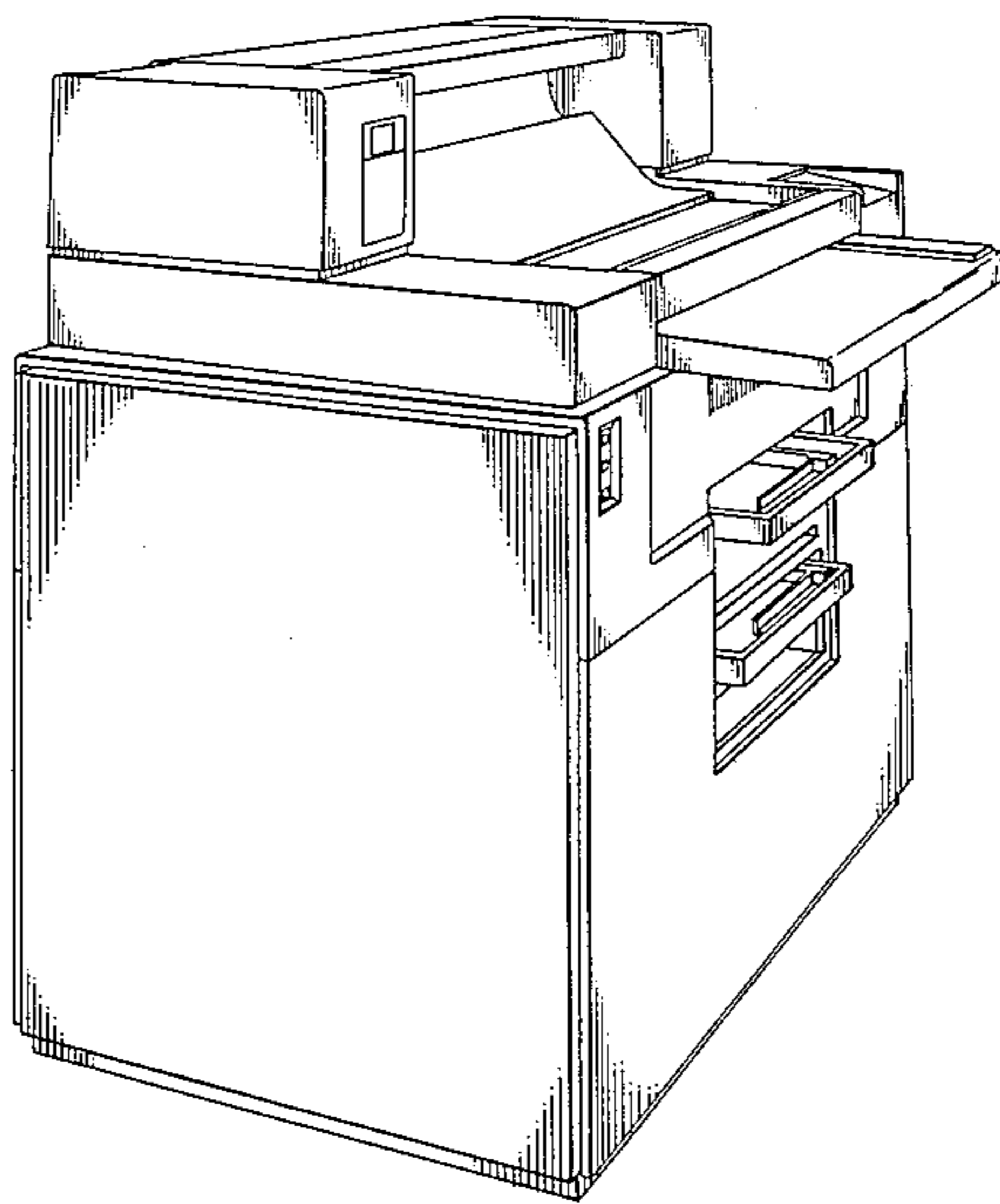
FIG. 7 is a rear elevational view thereof in a different mode position;

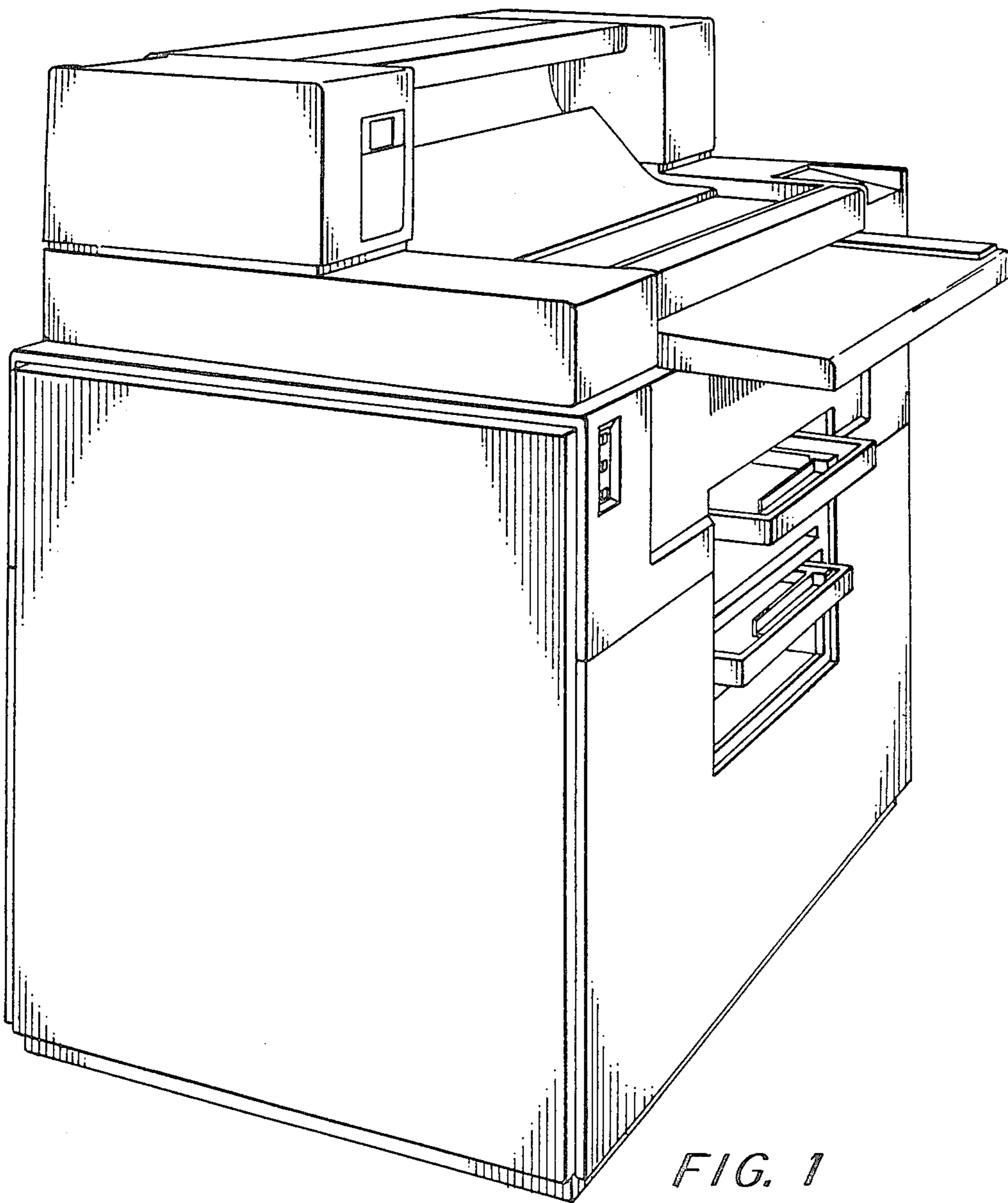
FIG. 8 is a left side elevational view thereof in a different mode position;

FIG. 9 is a front elevational view thereof in a different mode position;

FIG. 10 is a right side elevational view thereof in a different mode position;

FIG. 11 is a top plan view thereof in a different mode position.





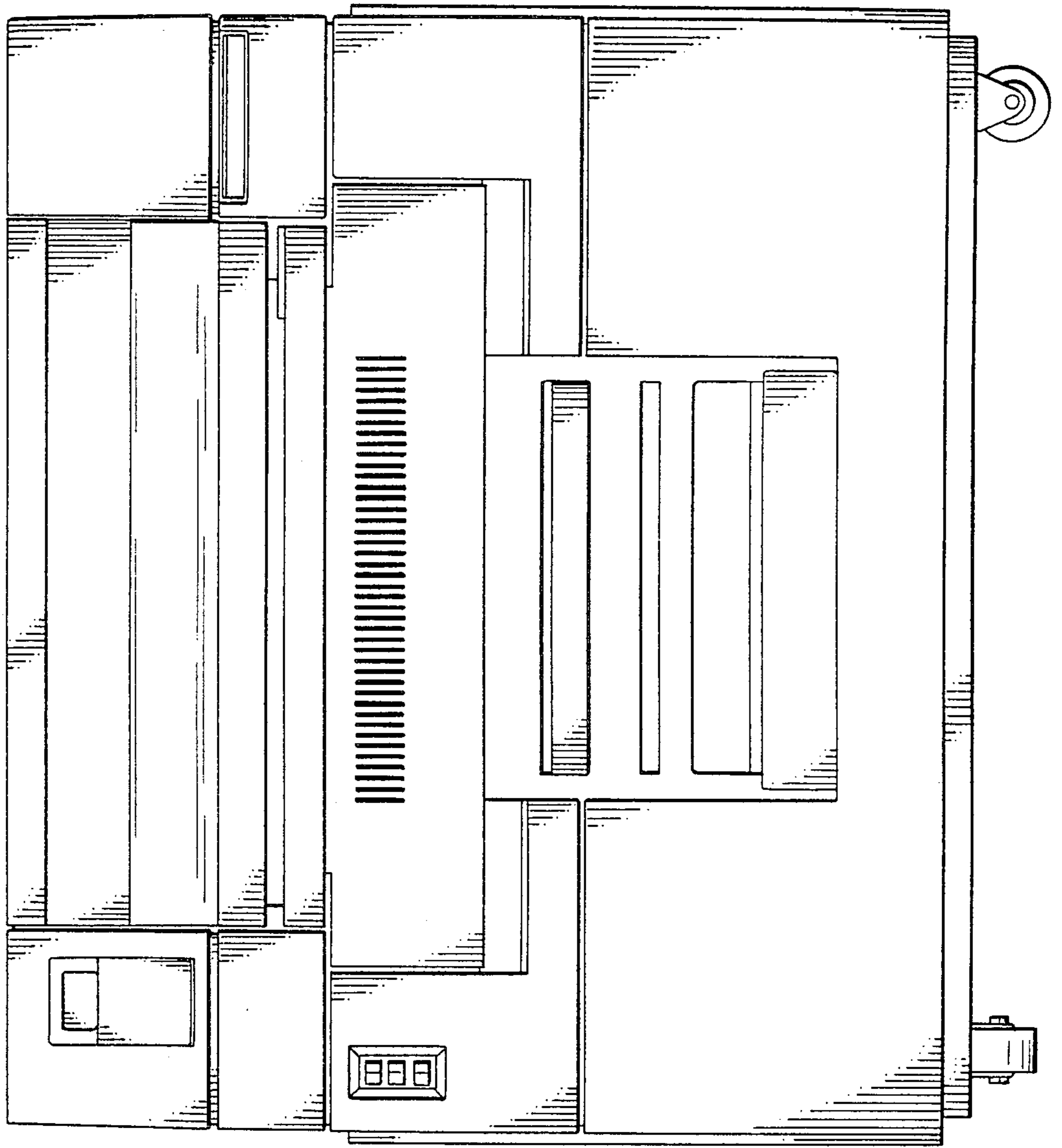


FIG. 2

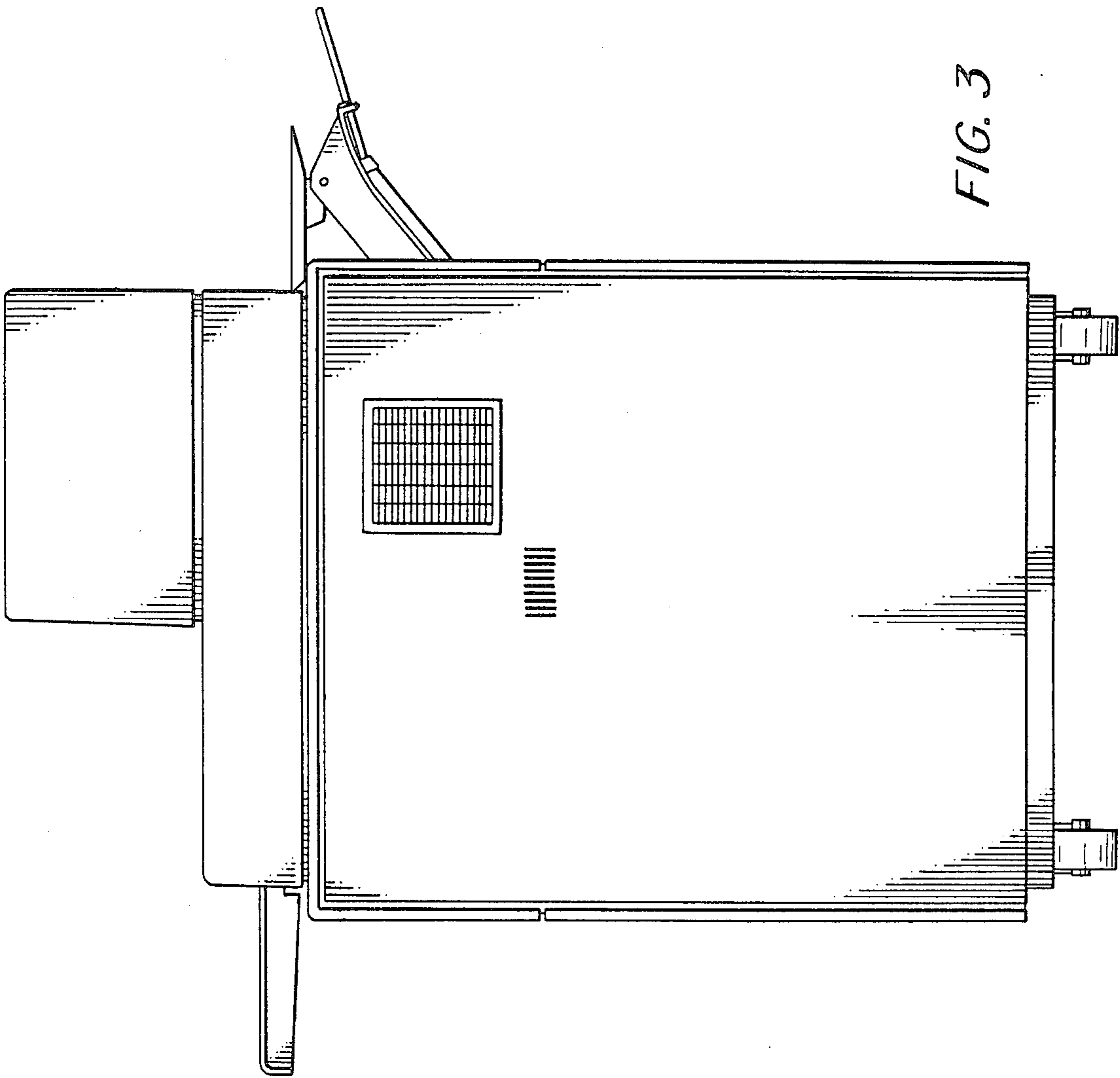


FIG. 3

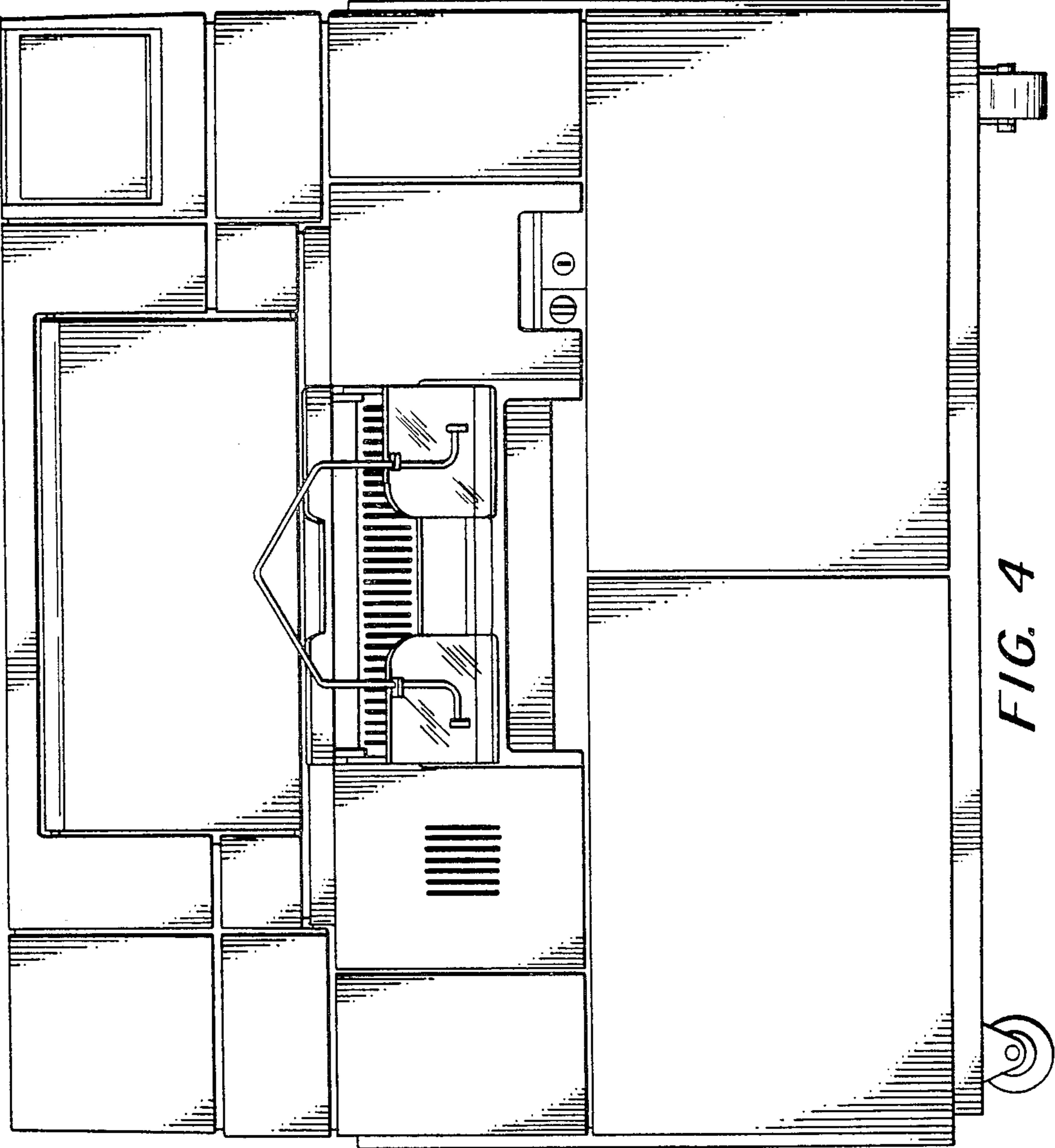


FIG. 4

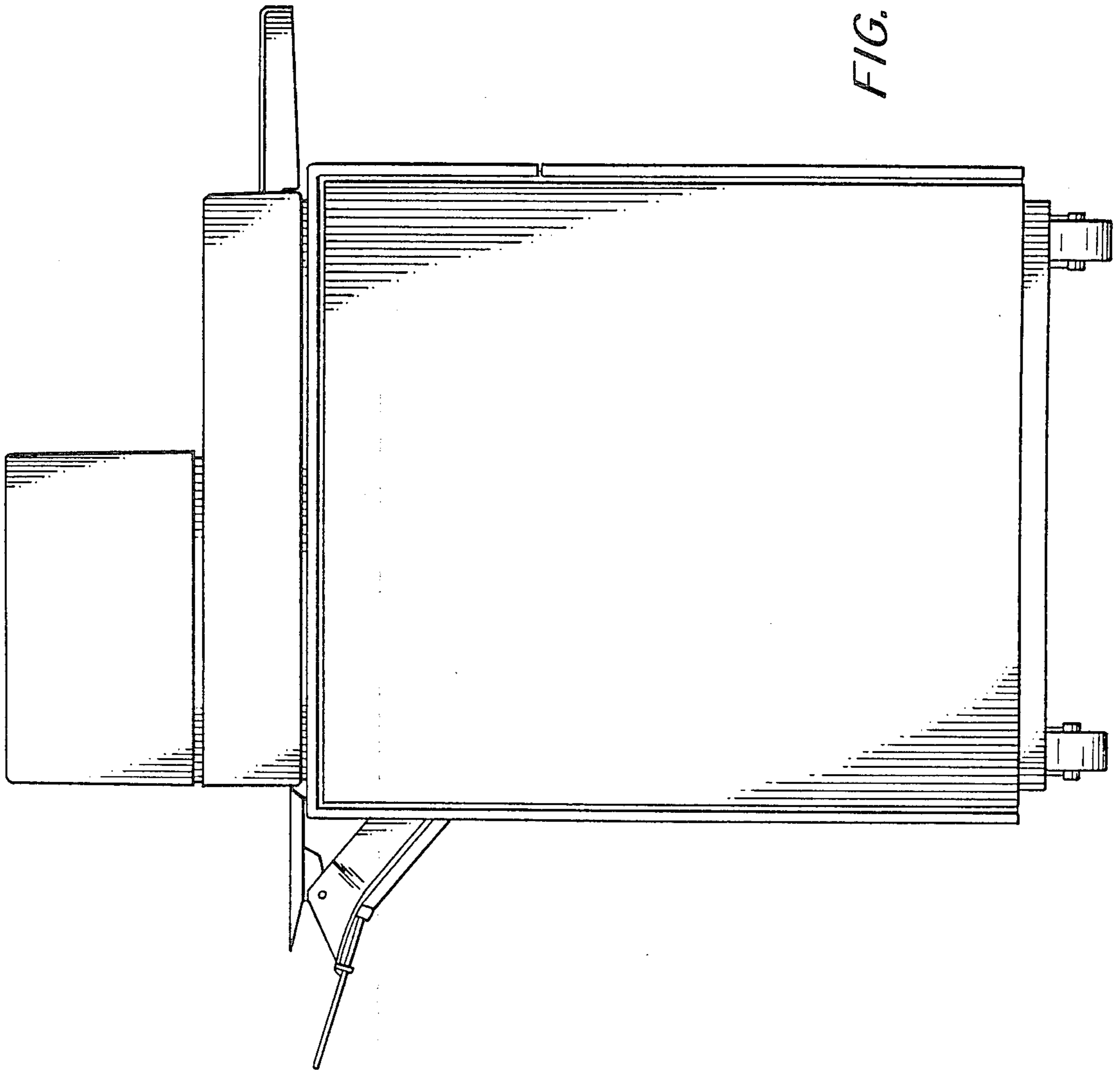


FIG. 5

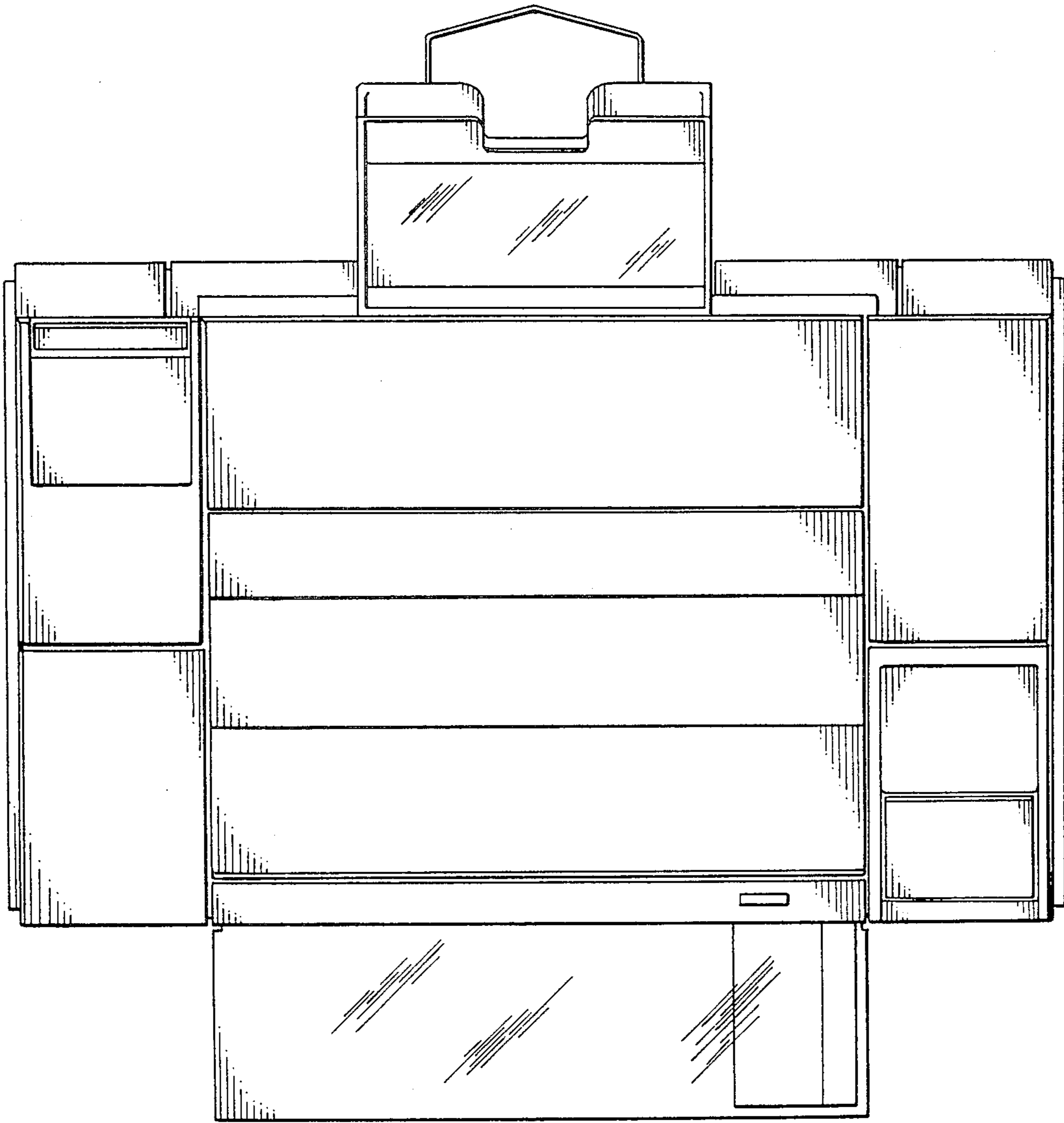


FIG. 6

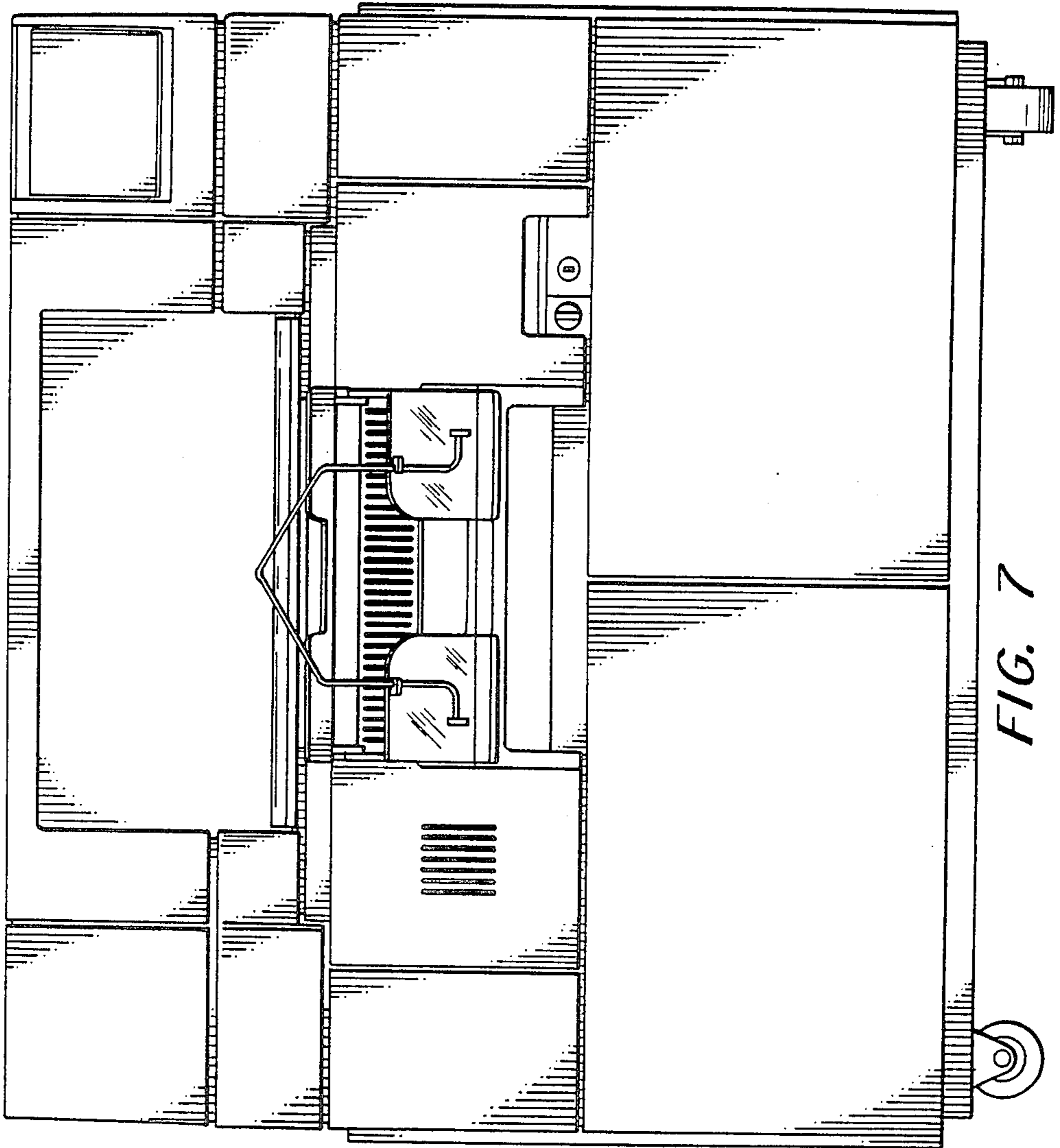


FIG. 7



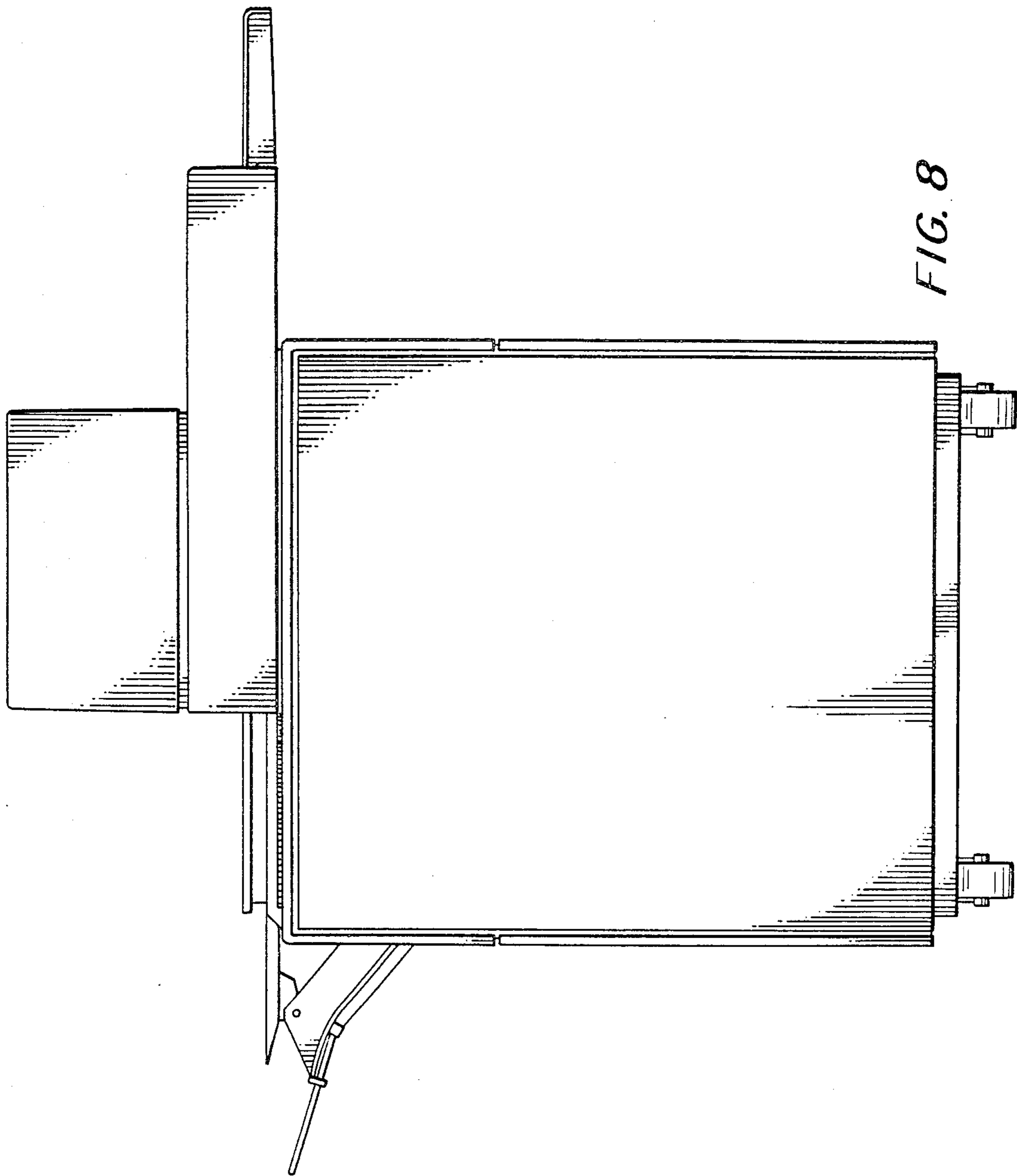


FIG. 8

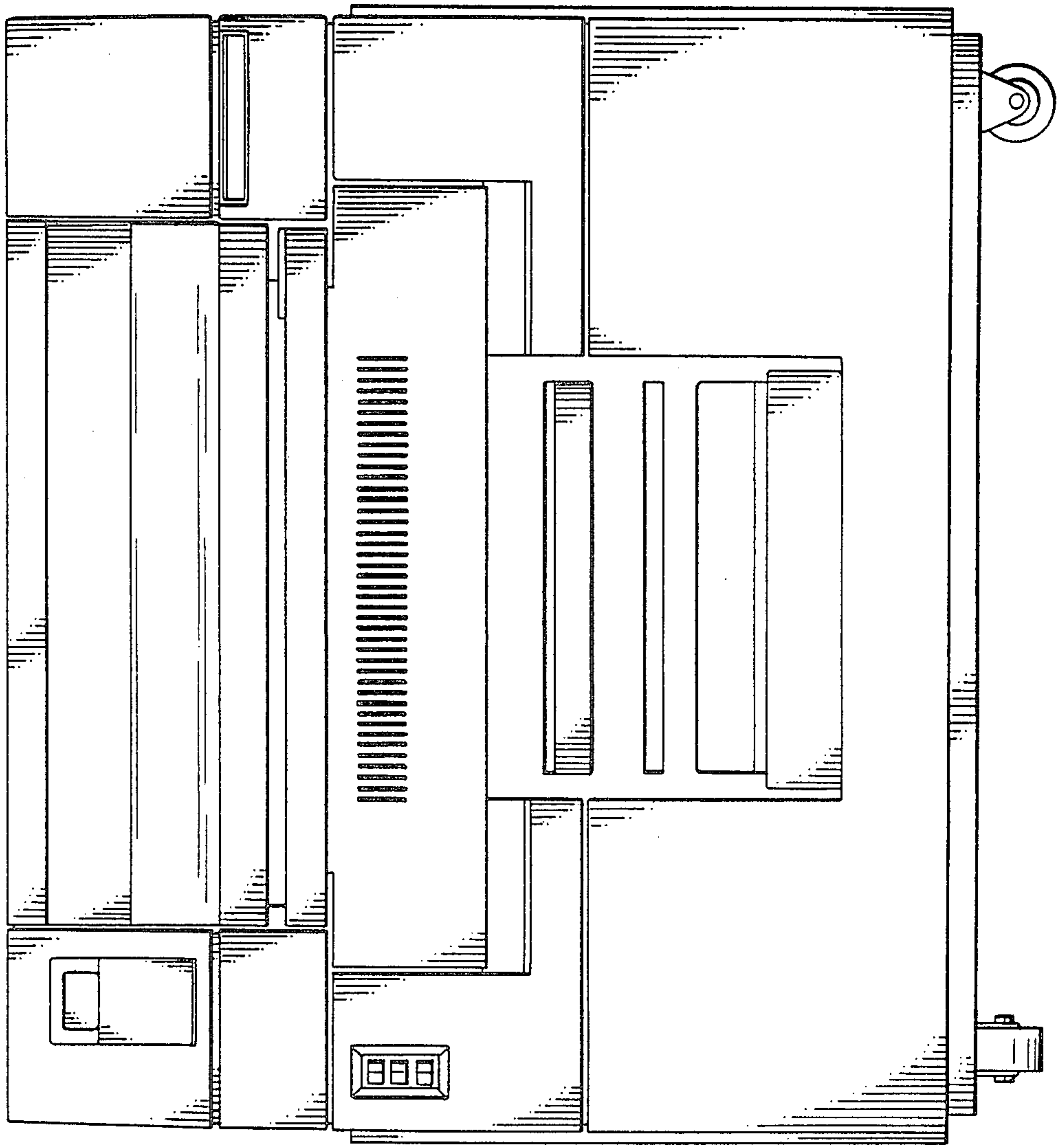


FIG. 9

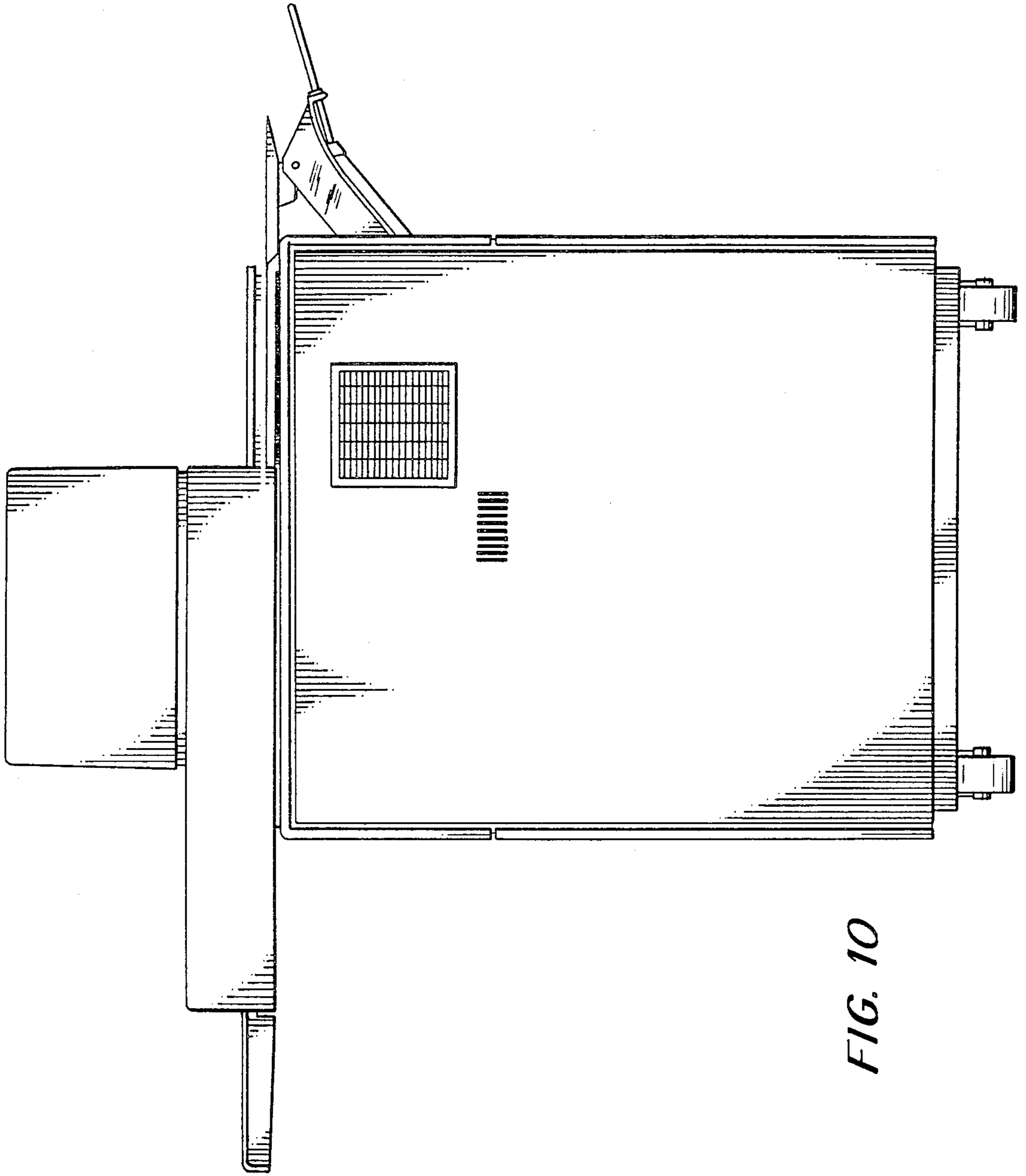


FIG. 10

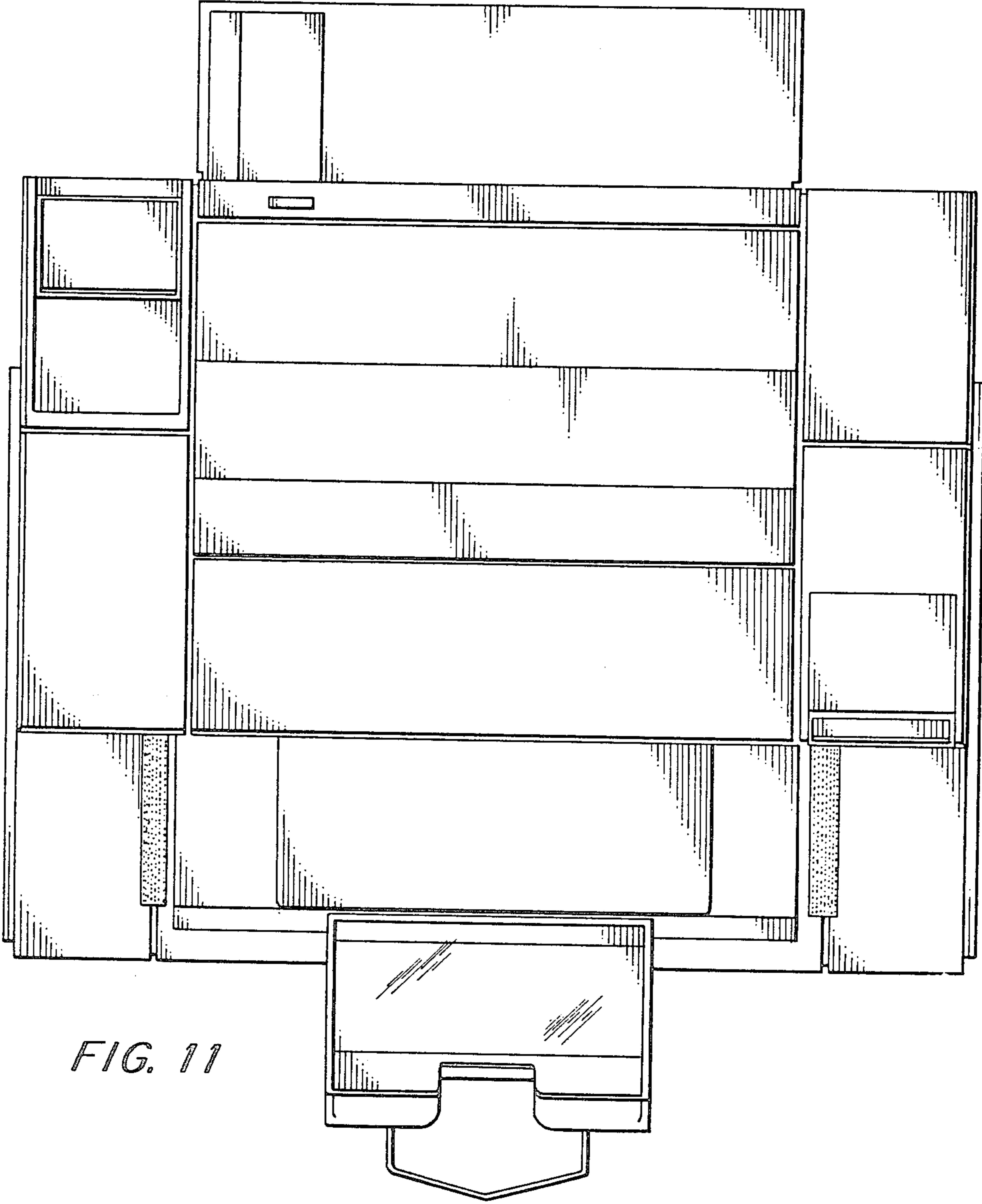


FIG. 11