

[54] CUTTING INSERT FOR A TOOL HOLDER

[75] Inventors: Reuven Porat, Nahariya; David Tzola, Kiryat Motzkin, both of Israel

[73] Assignee: Iscar Ltd., Nahariya, Israel

[\*\*] Term: 14 Years

[21] Appl. No.: 411,795

[22] Filed: Aug. 26, 1982

[52] U.S. Cl. .... D15/139

[58] Field of Search ..... D15/138, 139; 407/114-116; D25/80

[56] References Cited

U.S. PATENT DOCUMENTS

- 3,786,541 1/1974 Lundgren ..... 407/116
- 3,882,580 5/1975 Lundgren ..... 407/116

- 3,947,937 4/1976 Nertel ..... 407/116
- 4,056,872 11/1977 Seidel ..... 407/114
- 4,340,324 7/1982 McCreery ..... D15/139

FOREIGN PATENT DOCUMENTS

0005118 10/1979 European Pat. Off. .... 8/

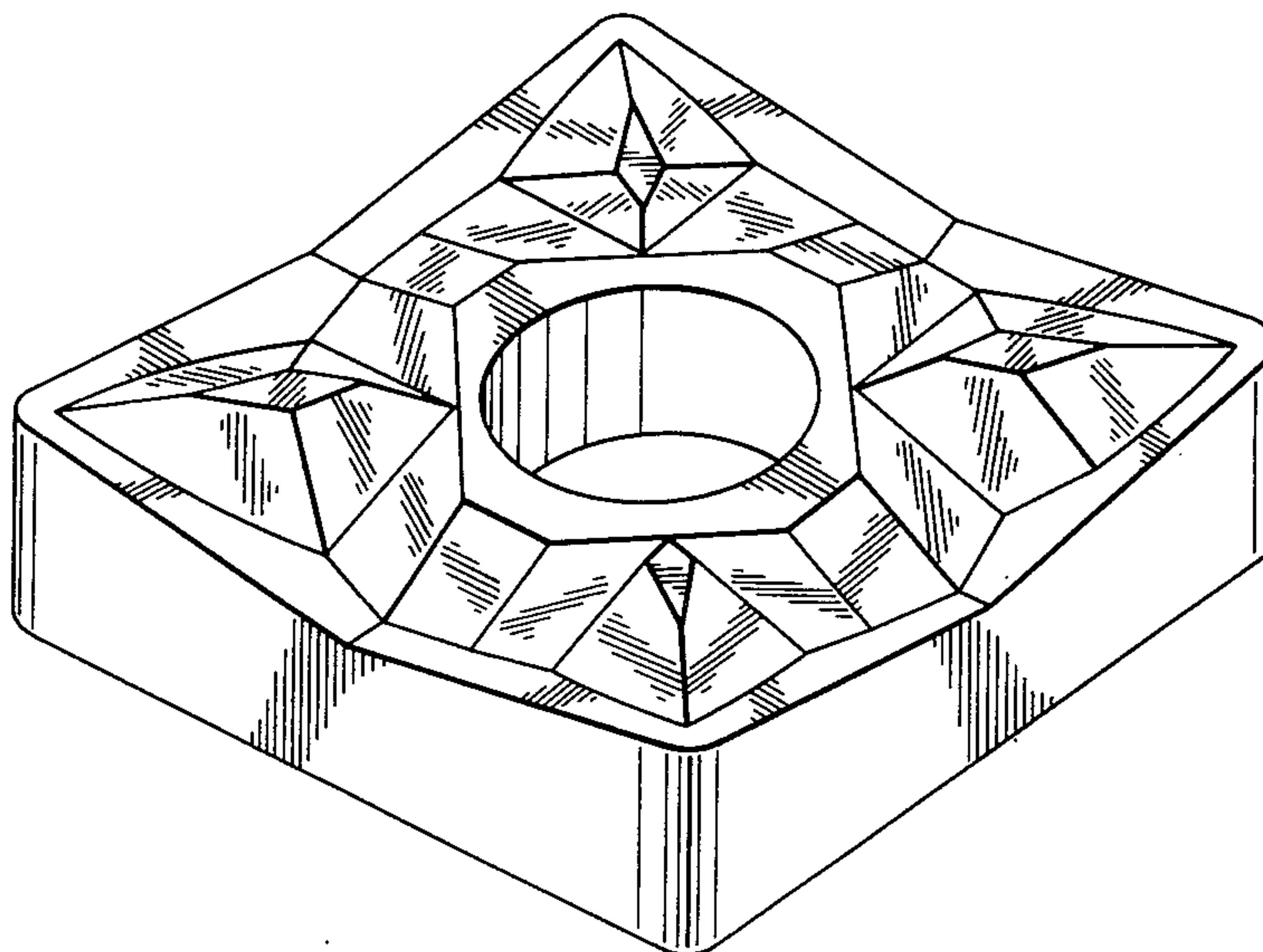
Primary Examiner—B. J. Bullock  
Assistant Examiner—Suzanne N. Gitlin  
Attorney, Agent, or Firm—Ladas & Parry

[57] CLAIM

The ornamental design for a cutting insert for a tool holder, as shown and described.

DESCRIPTION

The sole FIGURE is a perspective view of a cutting insert for a tool holder showing my new design. The undisclosed bottom is plain and unornamented.



***Fig. 1***

