

[54] MODULAR TELEPHONE DIALER UNIT

[75] Inventor: Michael Mitchell, Huntsville, Ala.

[73] Assignee: GTE Business Communication Systems Inc., Northlake, Ill.

[**] Term: 14 Years

[21] Appl. No.: 490,913

[22] Filed: May 2, 1983

[52] U.S. Cl. D14/62; D14/52

[58] Field of Search D14/59, 60, 62, 53, D14/52, 4, 114, 92, 94, 30, 32, 37, 38; 179/179, 178, 100 R, 100 C, 100 L, 101, 102, 103, 90 AD, 90 A

[56] References Cited

U.S. PATENT DOCUMENTS

- D. 250,891 1/1979 Renard D14/66
- D. 254,493 3/1980 Grusso et al. D14/66
- D. 258,062 1/1981 Cusimano et al. D14/52
- D. 259,722 6/1981 Fuller et al. D14/94
- D. 263,590 3/1982 Fukushima et al. D14/66
- D. 265,735 8/1982 Fukushima et al. D14/66

- D. 266,087 9/1982 Nakamura et al. D14/59
- D. 270,637 9/1983 Fukushima et al. D14/66
- D. 275,753 10/1984 Mohan D14/59
- 4,488,009 12/1984 Sherman 179/100 D

OTHER PUBLICATIONS

Telephony Mag., 10-12-1981, Northern Telecom Ad on p. 59, lowerset shown, right-end of illustration.

Primary Examiner—Wallace R. Burke

Assistant Examiner—Horace B. Fay

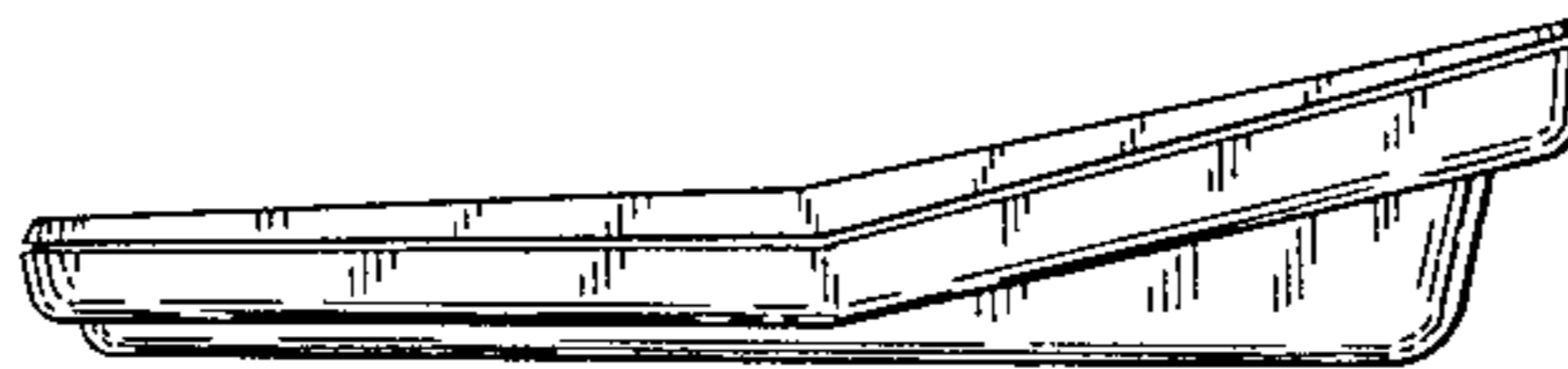
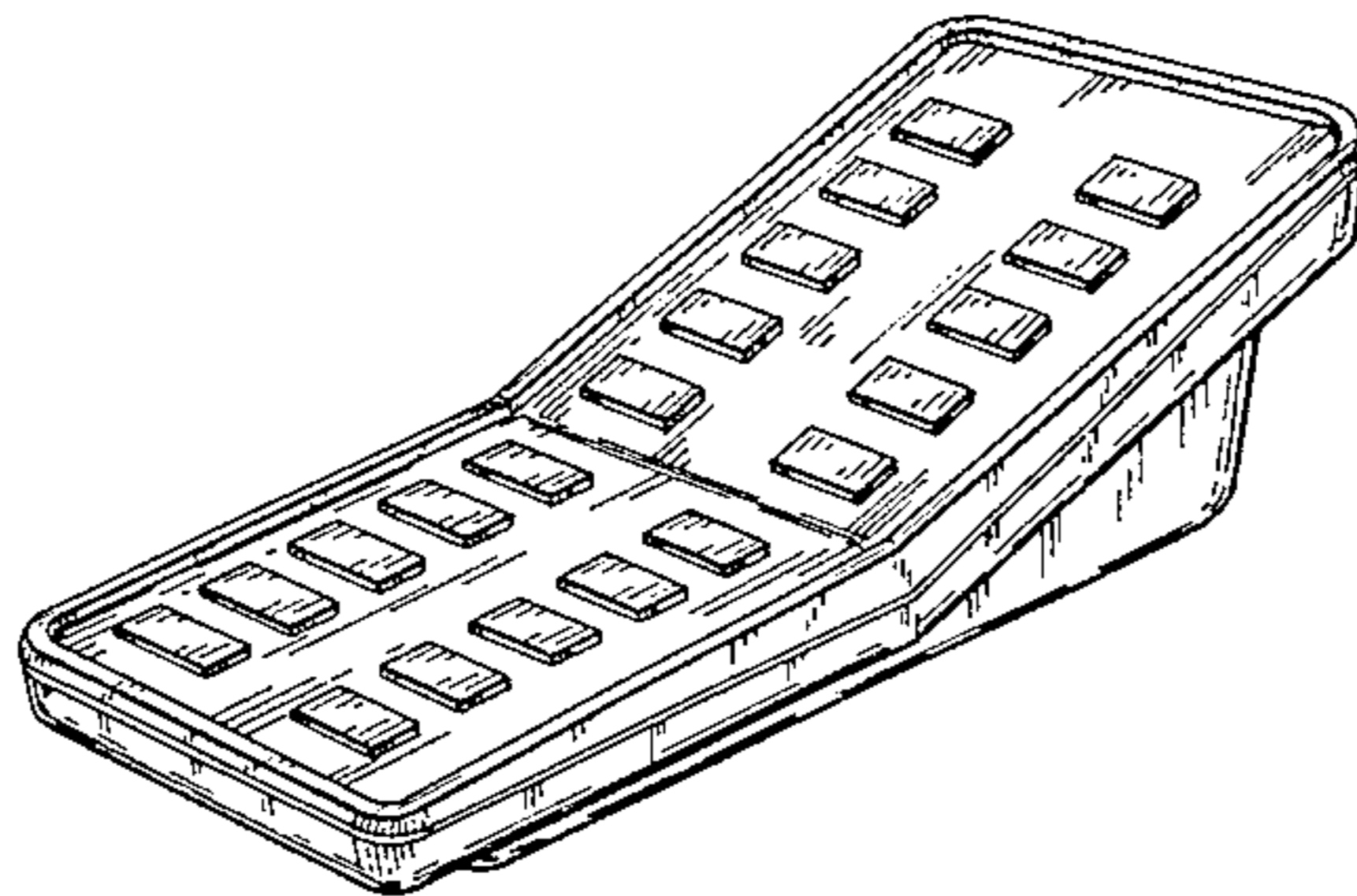
Attorney, Agent, or Firm—Robert J. Black; Gregory G. Hendricks

[57] CLAIM

The ornamental design for a modular telephone dialer unit, as shown.

DESCRIPTION

FIG. 1 is a perspective view of a modular telephone dialer unit, showing my new design; FIG. 2 is a front elevation thereof; and FIG. 3 is a rear elevation thereof; and FIG. 4 is a left side elevational view thereof; FIG. 5 is a top plan view, thereof.



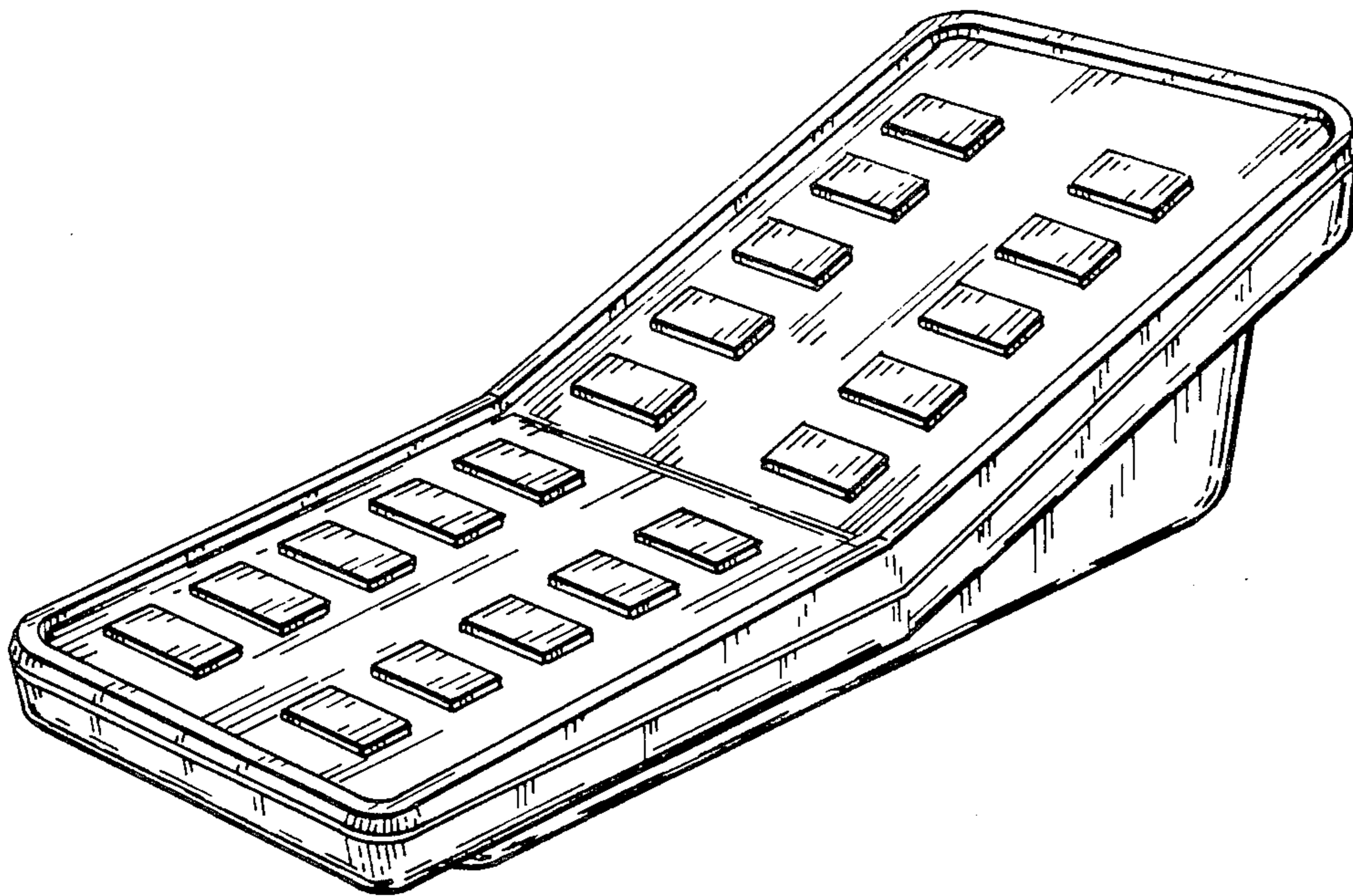


FIG. 1

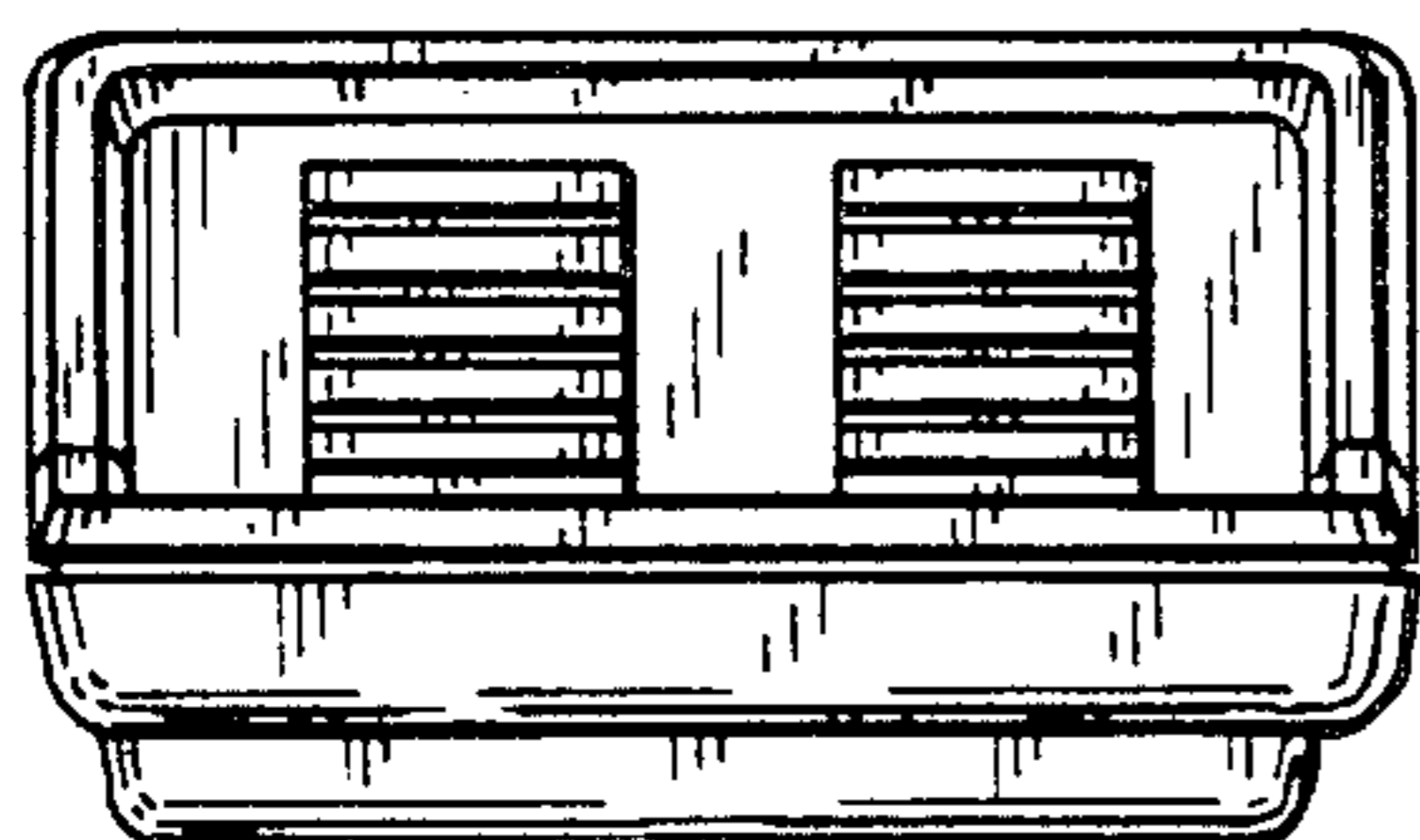


FIG. 2

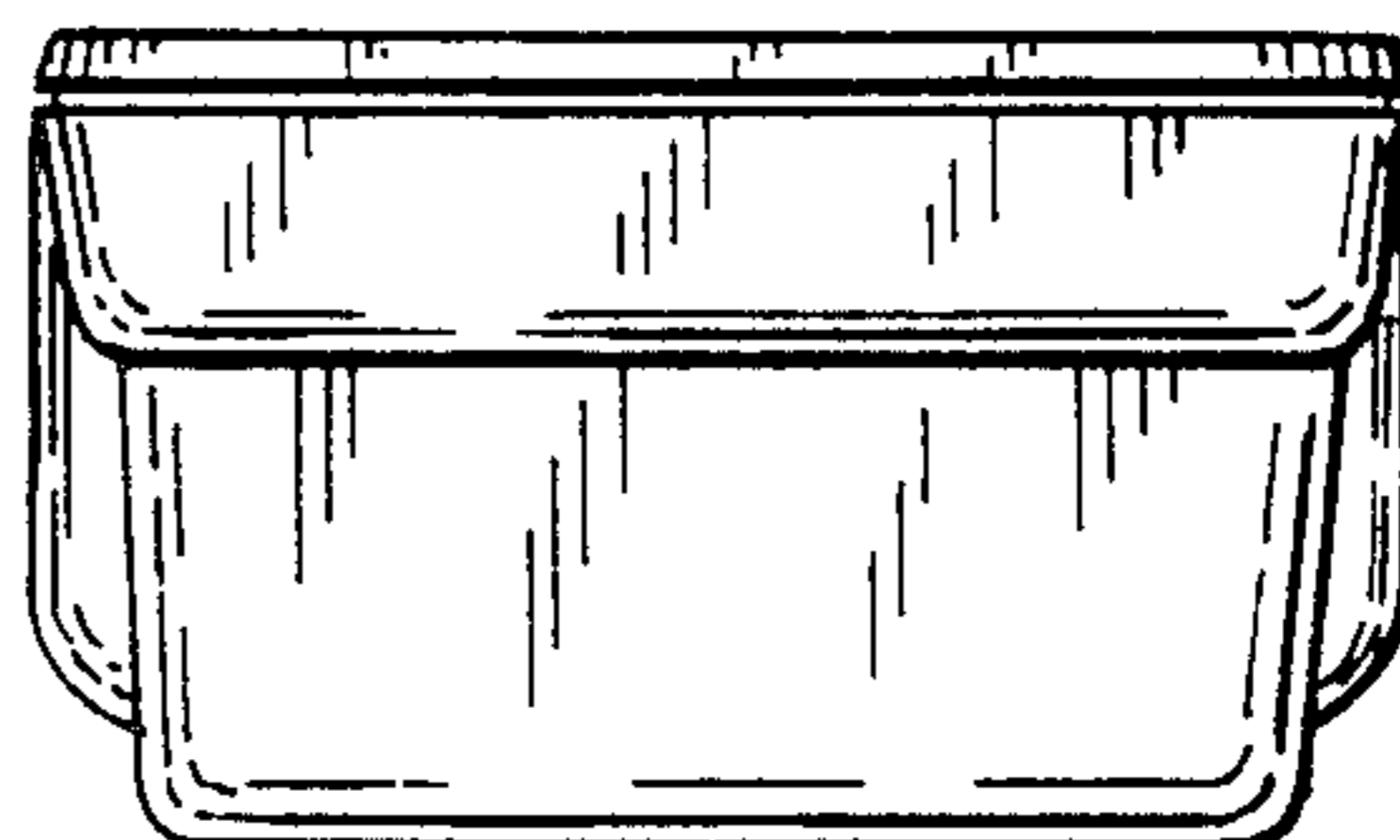


FIG. 3

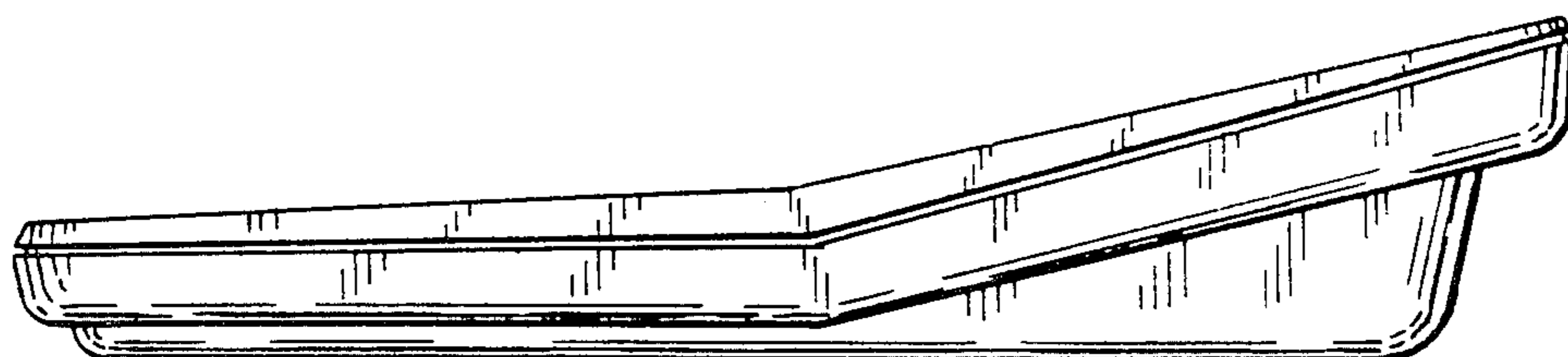


FIG. 4

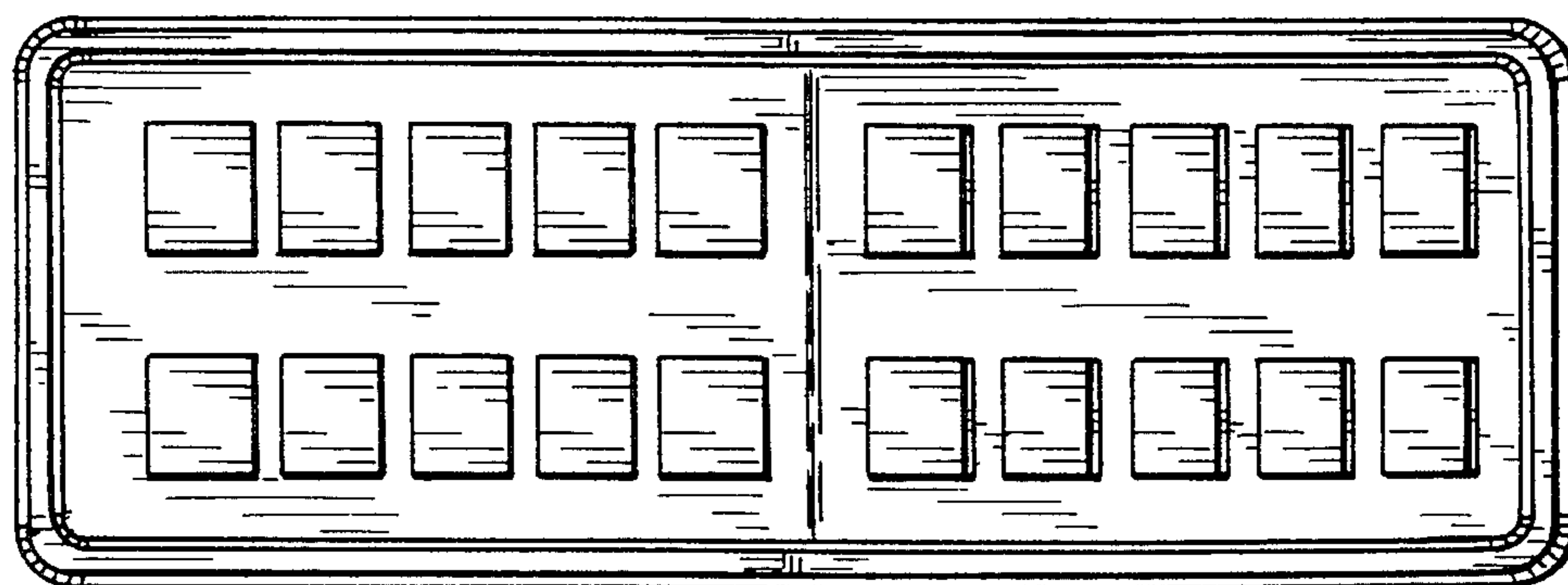


FIG. 5