

[54] TELEPHONE STAND

[75] Inventors: Donald M. Genaro, Haworth, N.J.; John N. McGarvey, Drexel Hill, Pa.

[73] Assignee: AT&T Bell Laboratories, Murray Hill, N.J.

[\*\*] Term: 14 Years

[21] Appl. No.: 468,945

[22] Filed: Feb. 23, 1983

[52] U.S. Cl. .... D14/60; D14/61

[58] Field of Search ..... D9/420, 423, 431, 430, D9/432; D13/40; 179/100 D, 100 C, 100 R, 179, 178; D12/192; D14/59, 60, 4, 53; 206/305

[56] References Cited

U.S. PATENT DOCUMENTS

D. 185,576	6/1959	Seibert, Jr. ....	D7/46
D. 198,378	6/1964	Baker .....	D14/4
D. 218,171	7/1970	Bunt et al. ....	D14/4
D. 225,649	12/1972	Ito .....	D14/4
D. 235,455	6/1975	Walz .....	D14/4
D. 238,585	1/1976	Darwood .....	D14/4
D. 245,325	9/1977	Lindquist .....	D13/40
D. 252,262	7/1979	Baker .....	D12/155

D. 259,918	7/1981	Hufton .....	D9/423
D. 269,775	7/1983	Hoese .....	D12/192

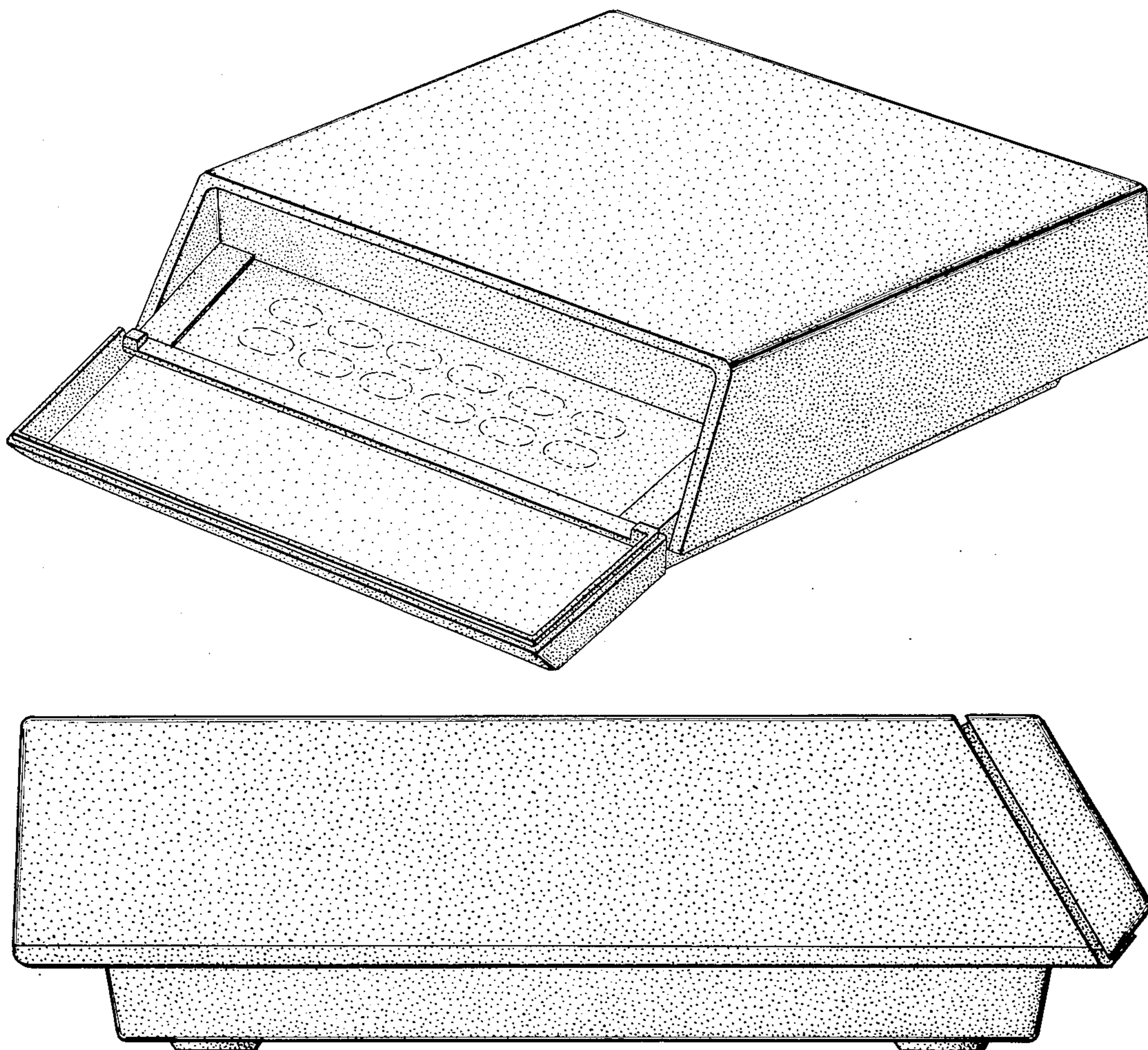
Primary Examiner—Wallace R. Burke  
Assistant Examiner—Horace B. Fay  
Attorney, Agent, or Firm—Michael A. Morra

[57] CLAIM

The ornamental design for a telephone stand, substantially as shown and described.

DESCRIPTION

FIG. 1 is a front, top and side perspective view of a telephone stand showing our new design;  
FIG. 2 is a similar perspective view thereof with the front of the stand being opened to show a recessed keypad, the broken line showing of keypad pushbuttons is for operative associational relationship only; and forms no part of the claim;  
FIG. 3 is a top plan view thereof;  
FIG. 4 is a left side elevational view thereof, with the right side elevational view being substantially a mirror image;  
FIG. 5 is a front end view of the stand as shown in FIG. 1;  
FIG. 6 is a rear end view thereof.



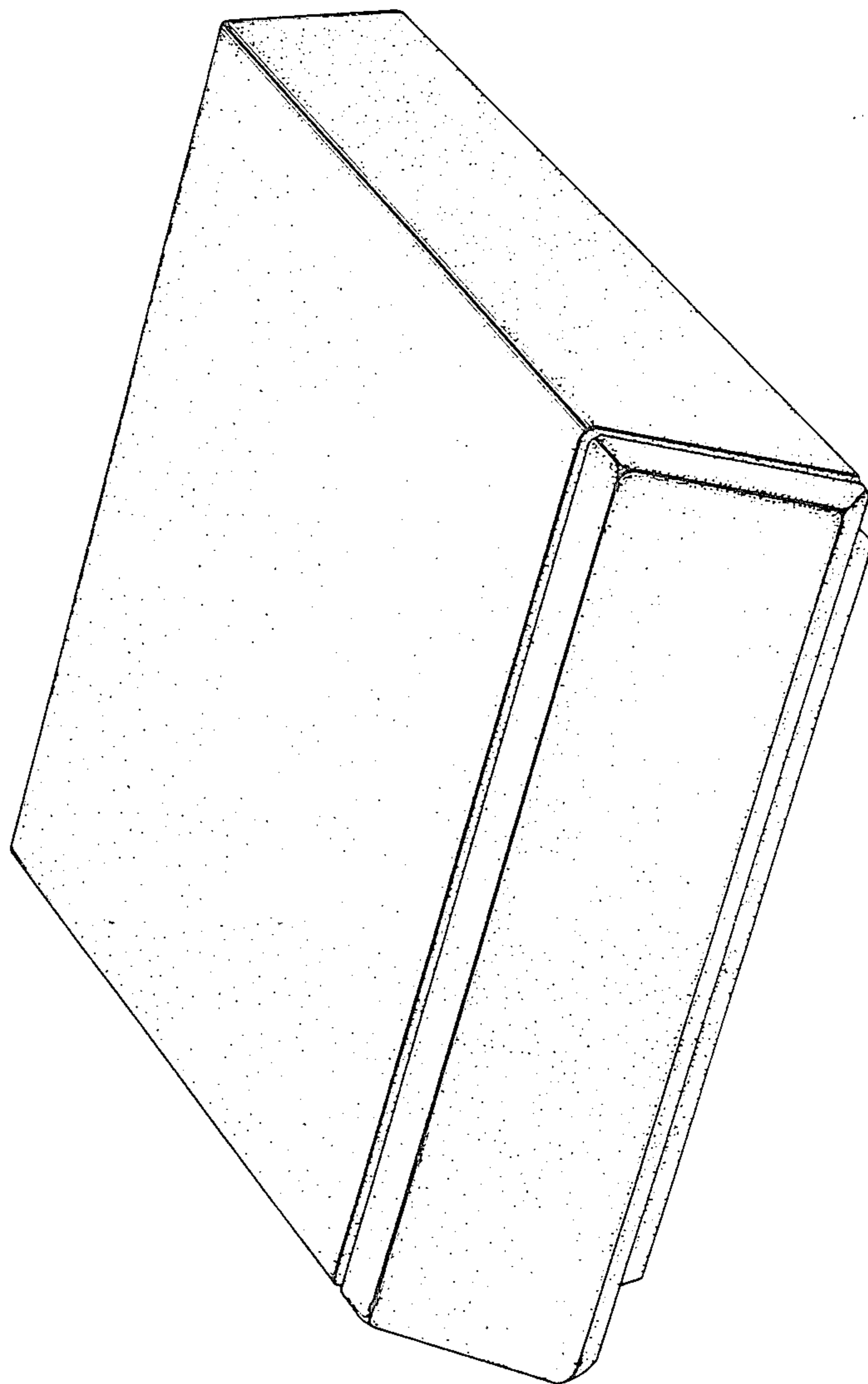


FIG. 1

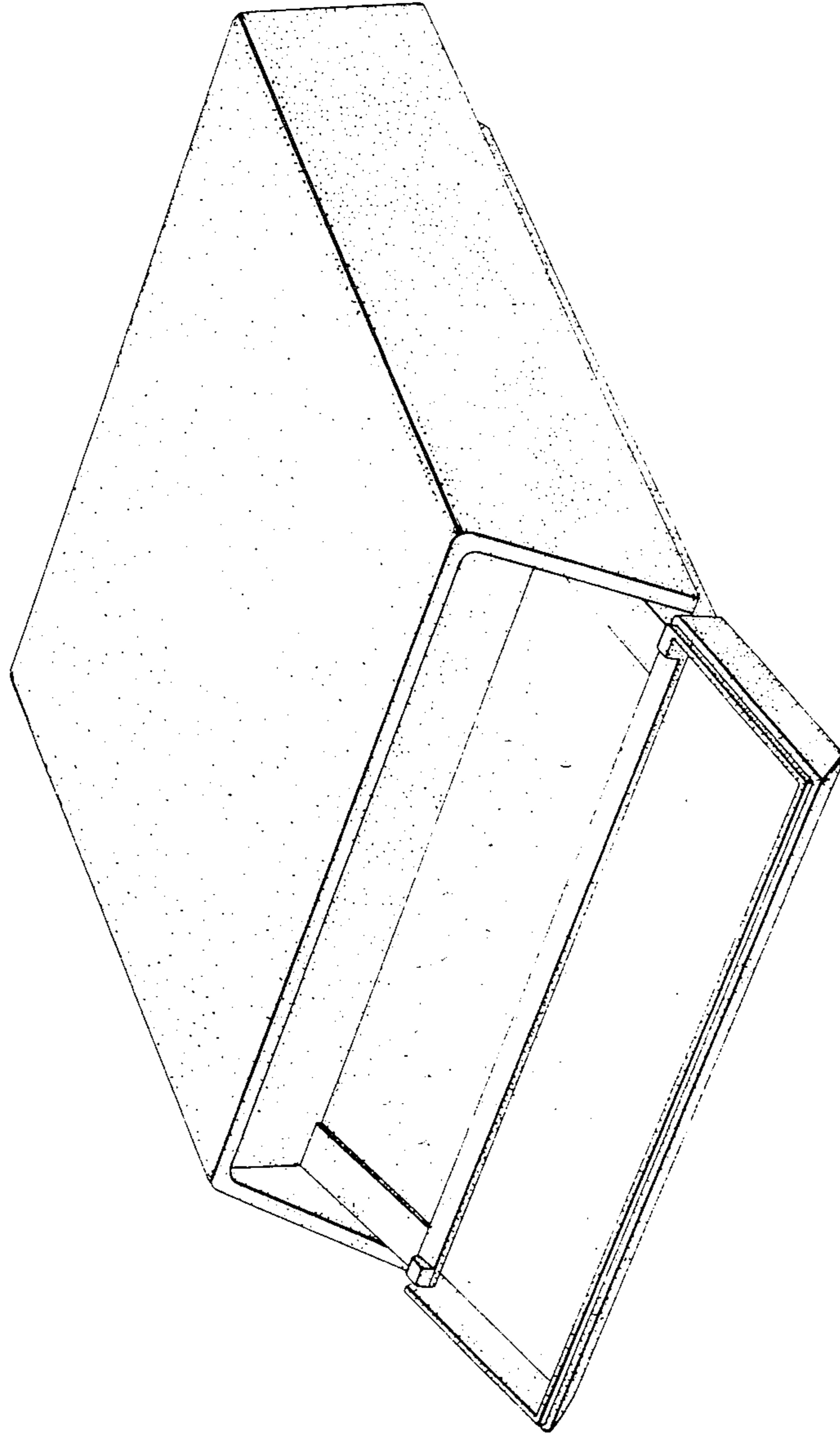


FIG. 2

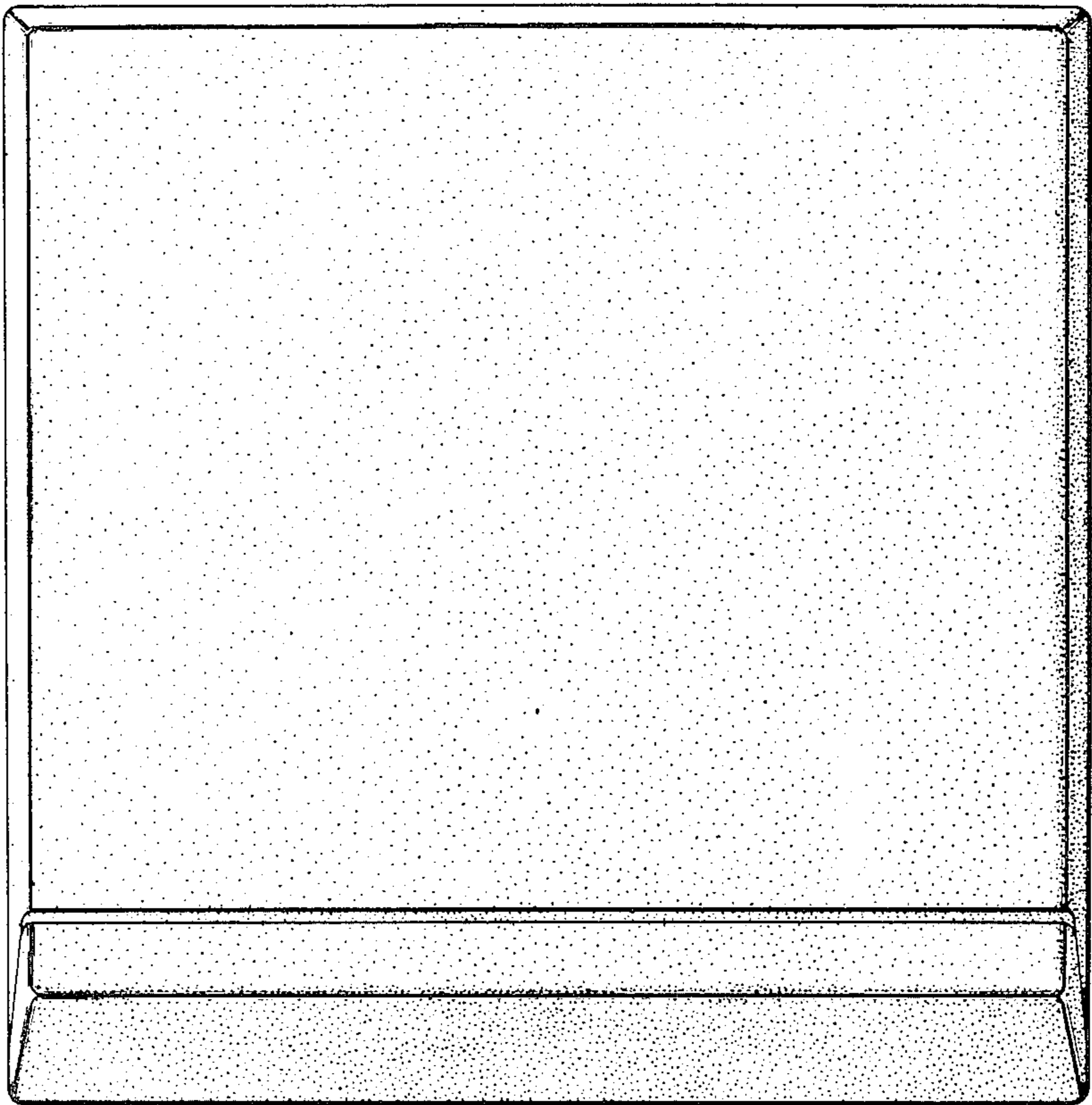


FIG. 4

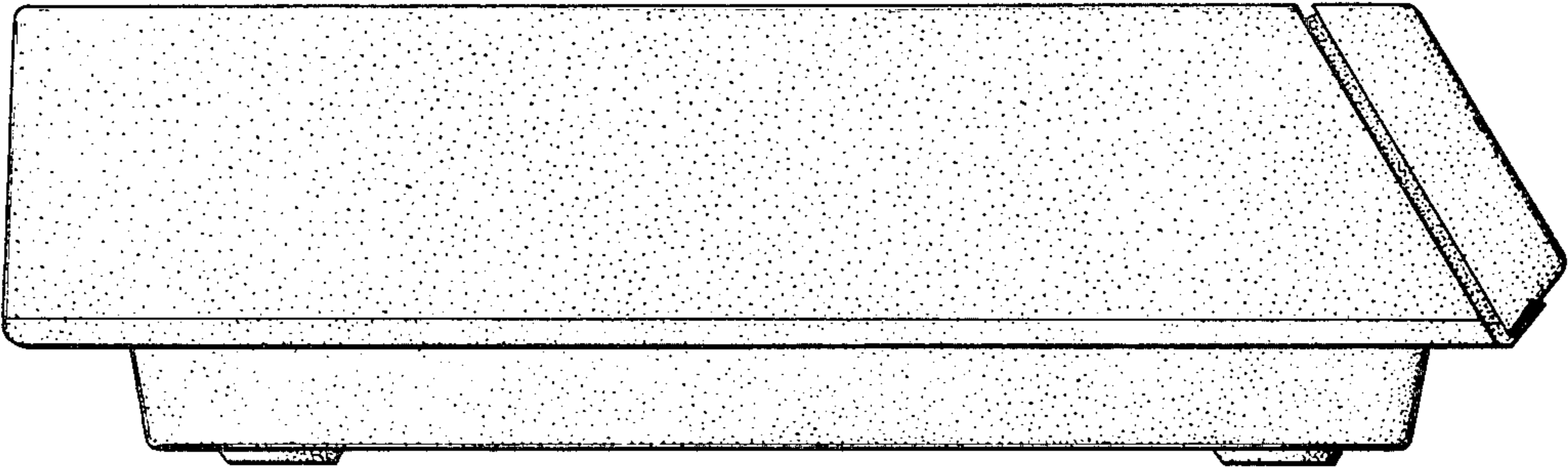


FIG. 5

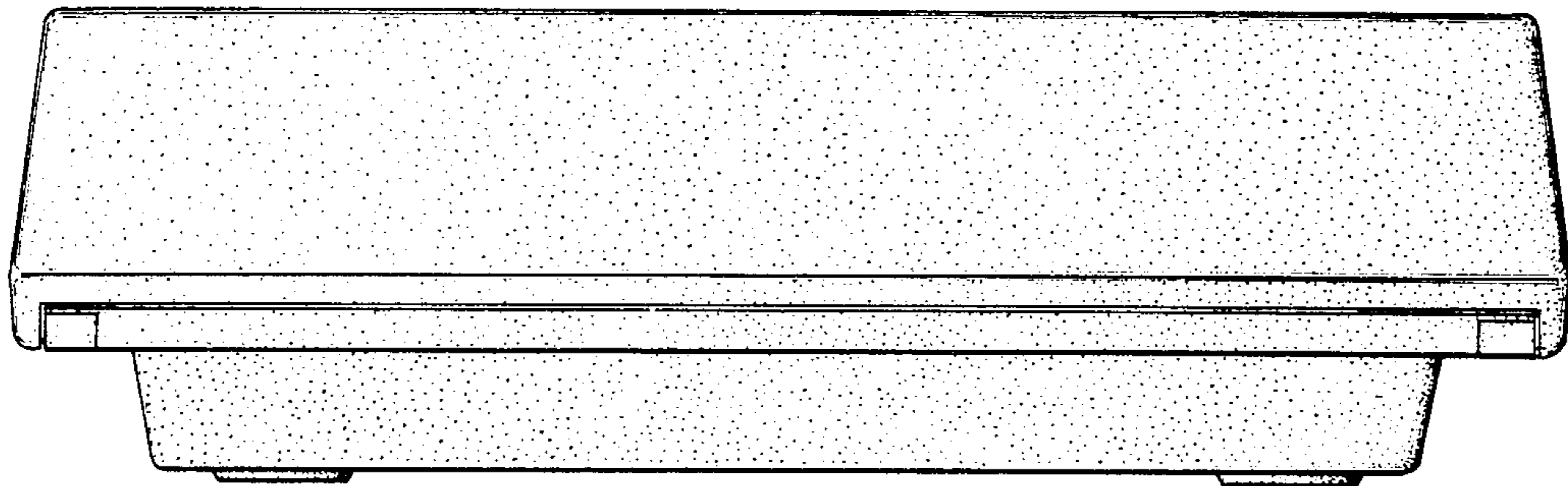


FIG. 6

