

United States Patent [19]

Walker, Jr.

[11] Patent Number: **Des. 280,504**

[45] Date of Patent: **** Sep. 10, 1985**

[54] **HANDSET TELEPHONE**

[75] Inventor: **Wesley F. Walker, Jr., Ringgold, Ga.**

[73] Assignee: **Walker Equipment Corporation, Ringgold, Ga.**

[**] Term: **14 Years**

[21] Appl. No.: **476,647**

[22] Filed: **Mar. 18, 1983**

[52] U.S. Cl. **D14/53; D14/63; D14/64**

[58] Field of Search **D14/52, 53, 63, 64, D14/58, 59; 179/100 R, 100 C, 100 D, 101, 102, 103**

[56] **References Cited**

U.S. PATENT DOCUMENTS

D. 256,465	8/1980	Tyler	D14/63
D. 269,874	7/1983	Huntington	D14/63
D. 270,157	8/1983	Boldt et al.	D14/63
D. 270,248	8/1983	Fukushima et al.	D14/53

D. 271,489	11/1983	Fukushima et al.	D14/53
D. 275,751	10/1984	Mahan	D14/53
4,153,822	5/1979	Ueda et al.	D14/63
4,354,063	10/1982	Kuka	D14/63

Primary Examiner—Wallace R. Burke
Assistant Examiner—Horace B. Fay
Attorney, Agent, or Firm—Seidel, Gonda, & Goldhammer

[57] **CLAIM**

The ornamental design for a handset telephone, substantially as shown and described.

DESCRIPTION

FIG. 1 is a perspective view of the handset telephone in accordance with my new design.

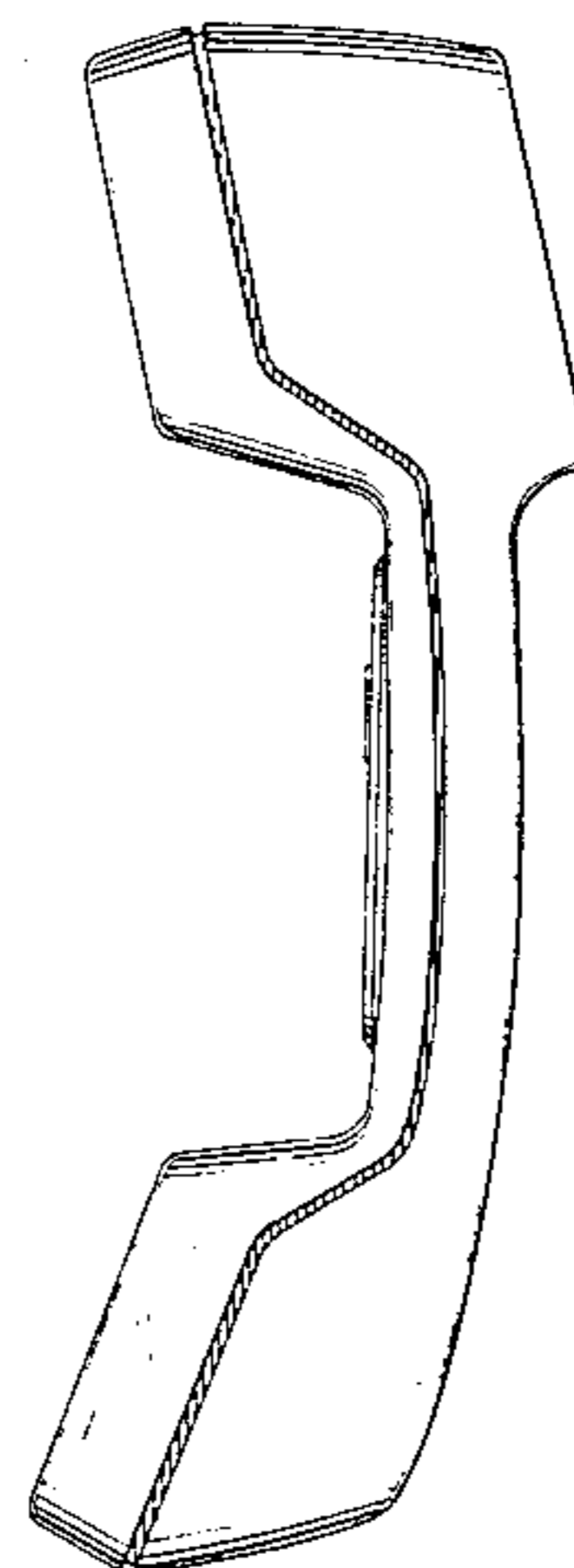
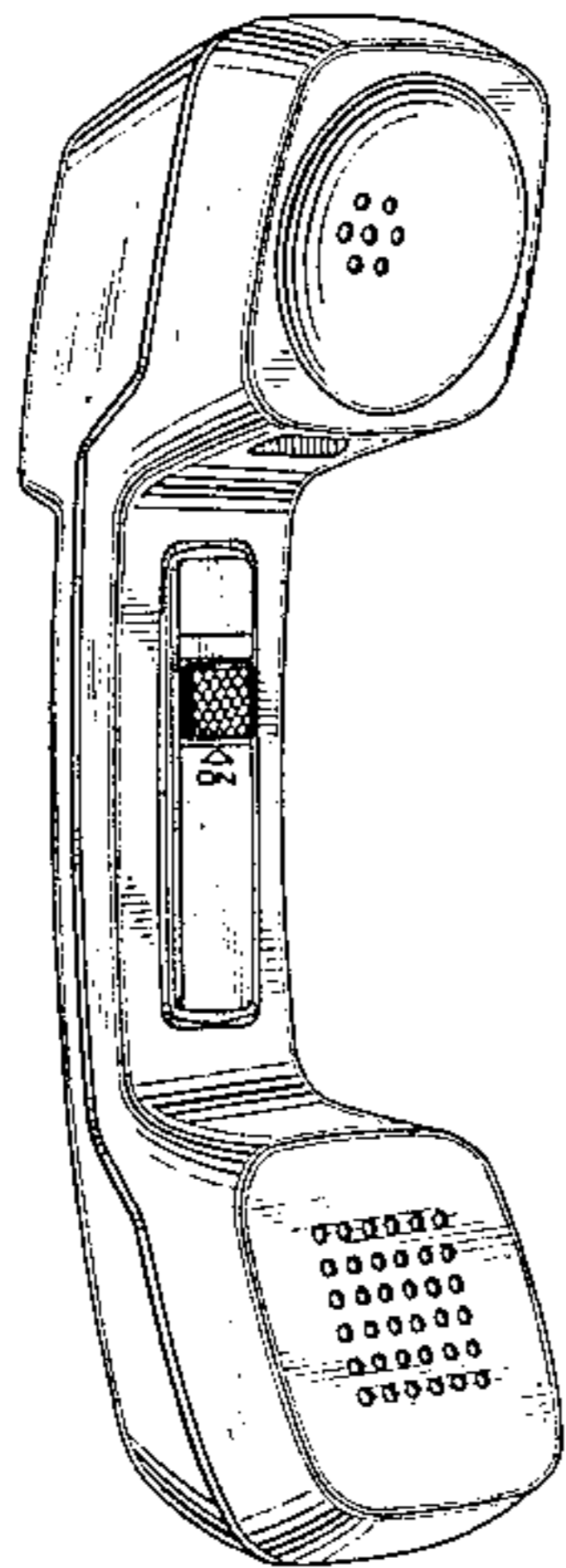
FIG. 2 is a front elevation thereof;

FIG. 3 is a right side elevation thereof, the left side elevation being identical;

FIG. 4 is a rear view thereof;

FIG. 5 is a top view thereof;

FIG. 6 is a bottom view thereof.



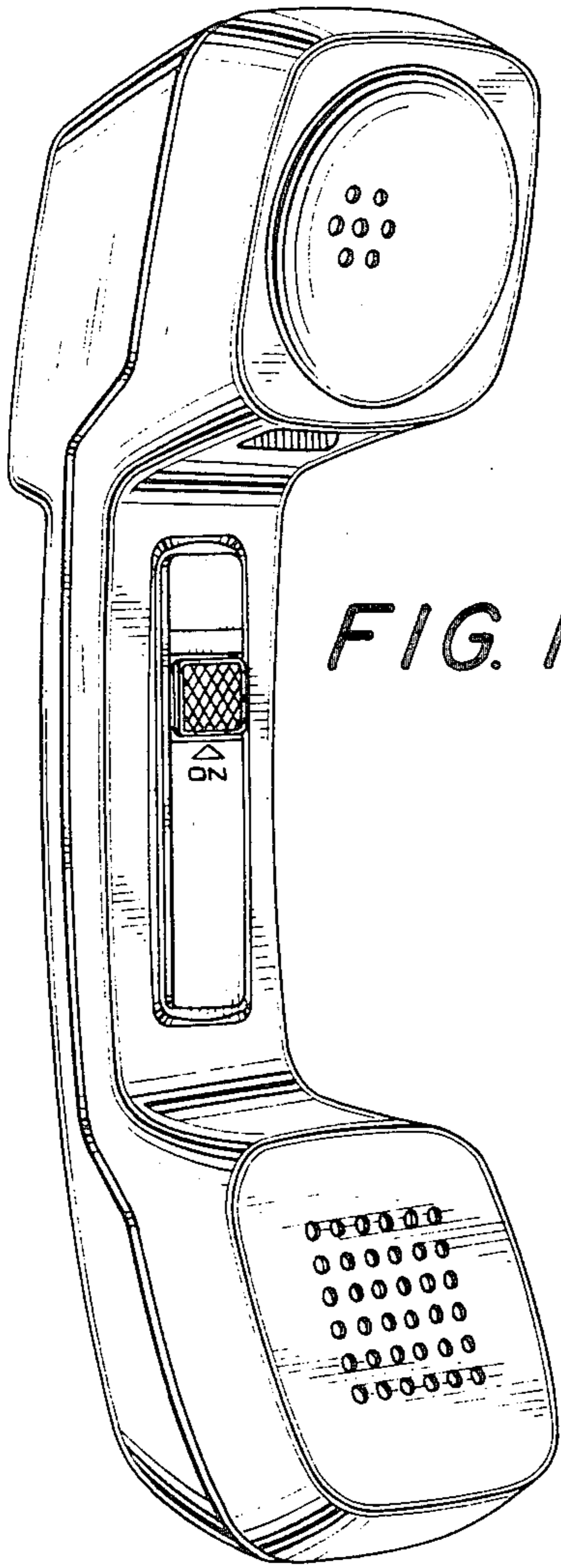


FIG. 1

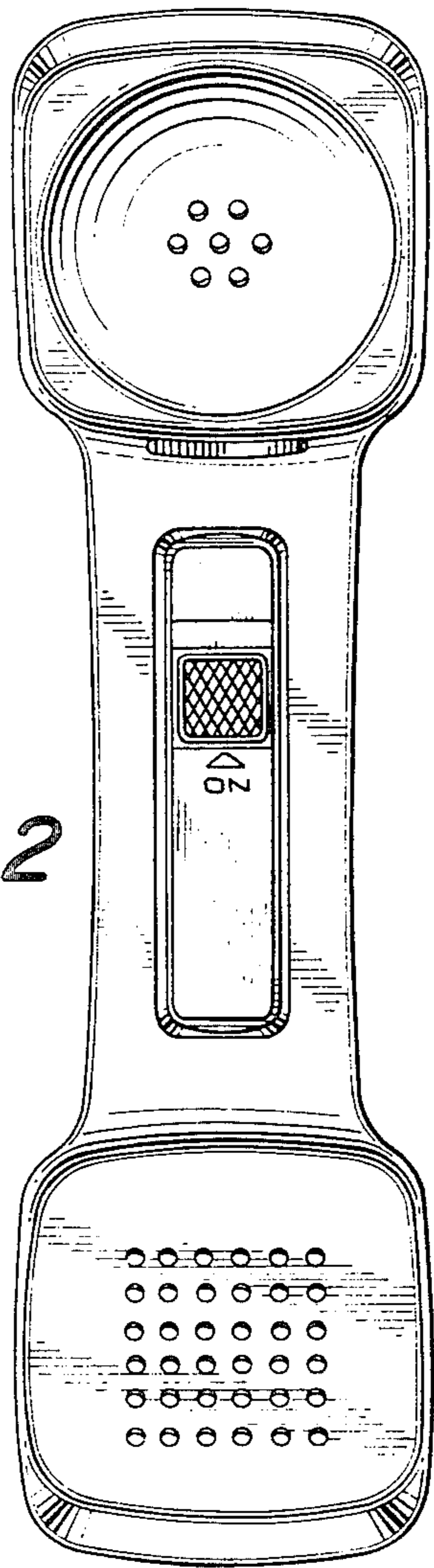


FIG. 2

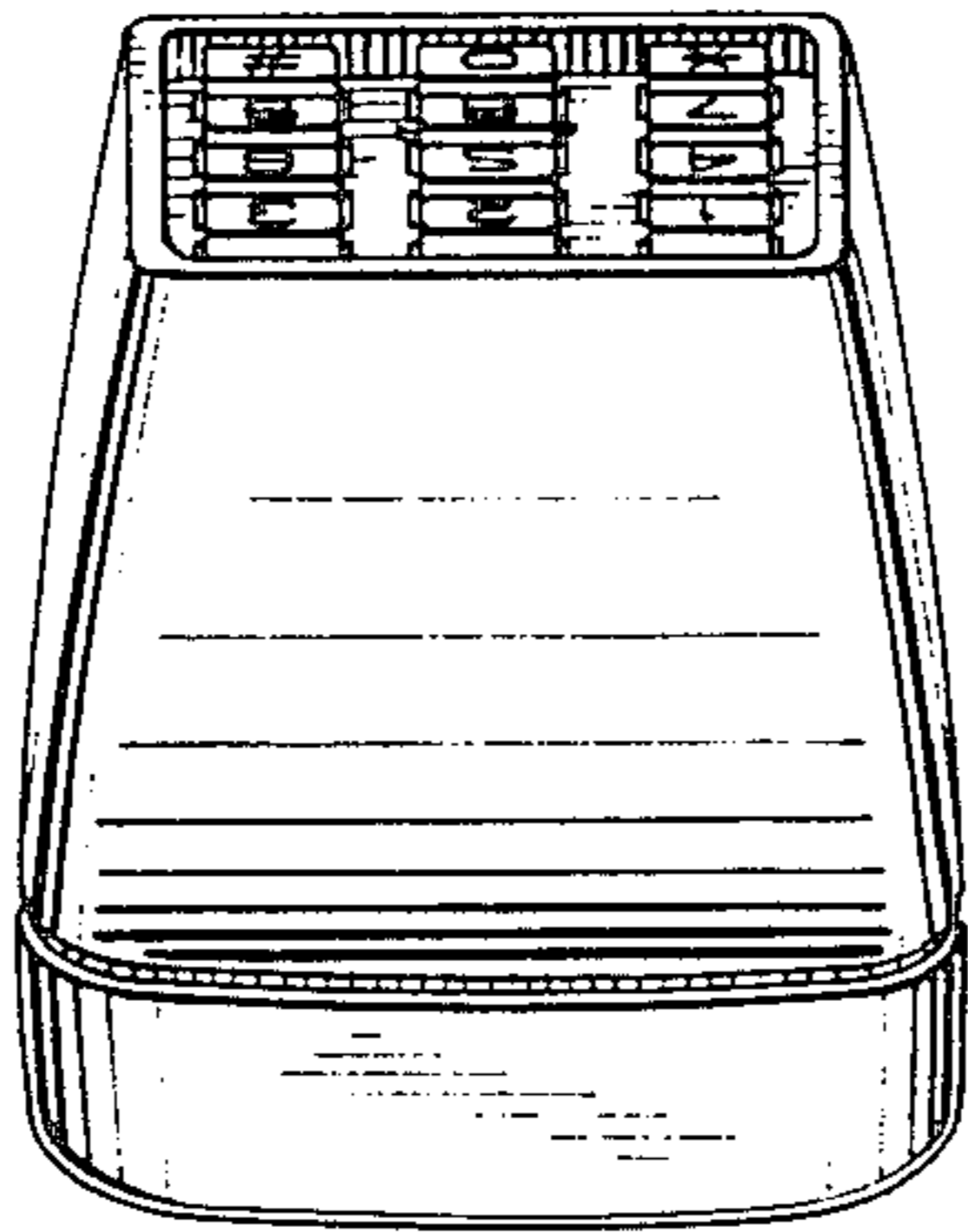


FIG. 5

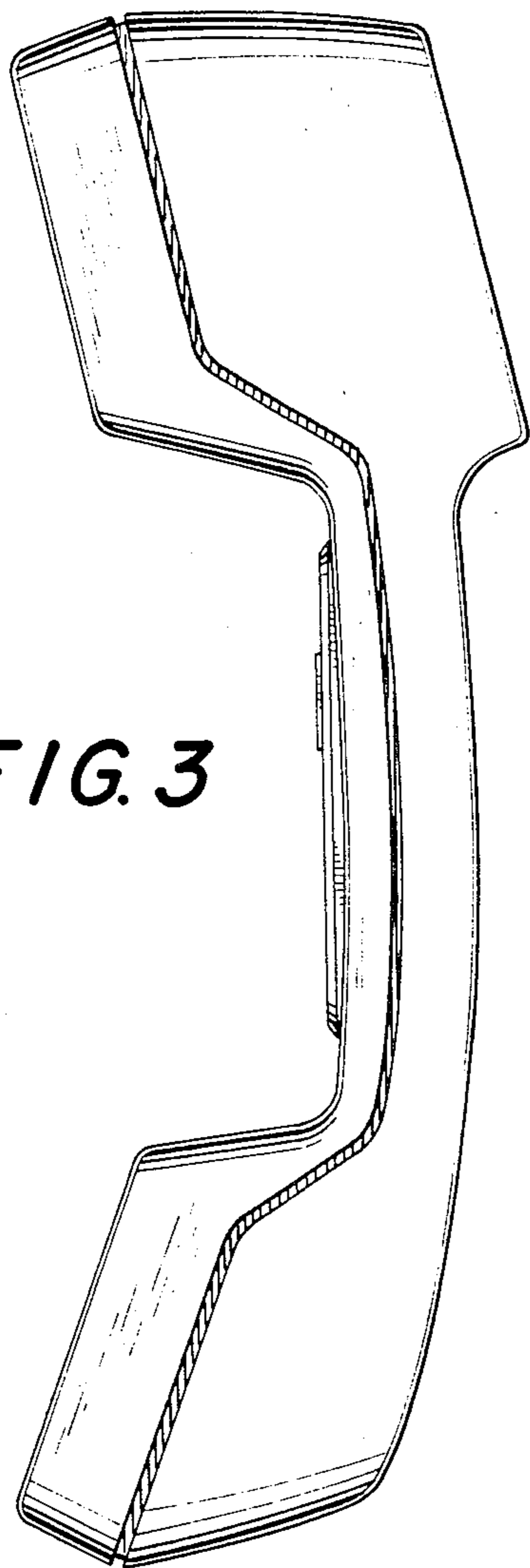


FIG. 3

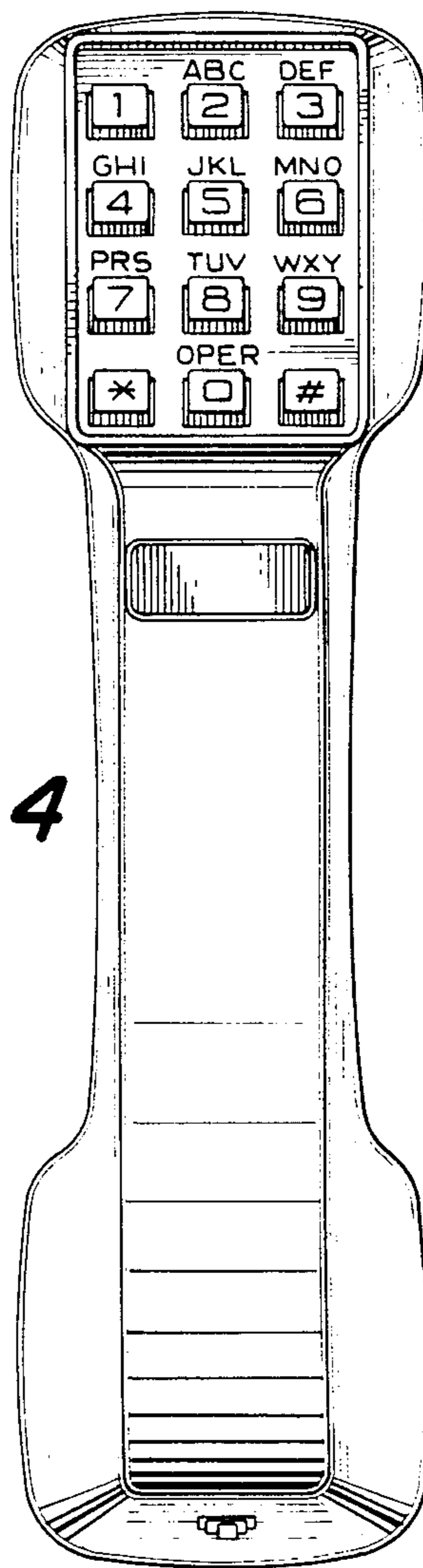


FIG. 4

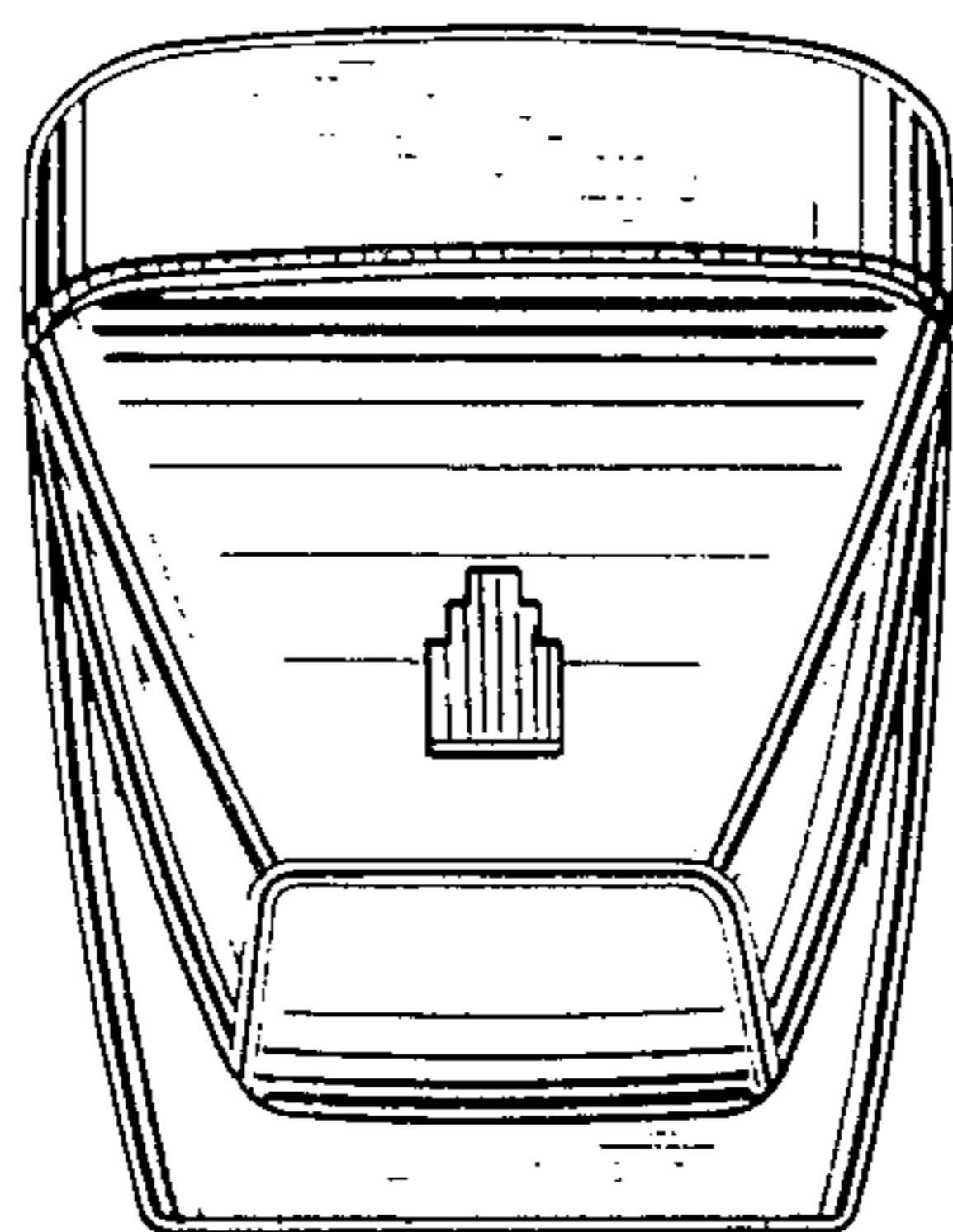


FIG. 6