

[54] PRESSURE-RESPONSIVE SWITCH

4,403,123 9/1983 Shek 200/61.89
4,473,729 9/1984 Ting et al. 200/83 B

[75] Inventor: Raymond J. H. Walters, East
Victoria Park, Australia

[73] Assignee: Values Pty. Ltd., Australia

[**] Term: 14 Years

[21] Appl. No.: 467,440

[22] Filed: Feb. 17, 1983

[52] U.S. Cl. D13/32

[58] Field of Search D13/32, 33, 37, 38,
D13/99; 200/5 R, 5 A, 6 R, 6 A, 155 R, 159 R,
293, 299, 303, 61.89, 83 B

[56] References Cited

U.S. PATENT DOCUMENTS

- D. 136,456 10/1943 Popp D13/37
- 3,848,517 11/1974 Hawke 200/83 B
- 3,944,769 3/1976 Wagner 200/83 B
- 4,192,399 3/1980 Otteson et al. 200/61.89
- 4,239,947 12/1980 Breitung et al. 200/61.89

OTHER PUBLICATIONS

Monitor Manufacturing, Inc. Bulletin #112, Monitor
Tilt Switch Model TC-1.
N. American Philips Controls Corp.—Timing & Control
Components brochure, p. 3, Gen. Duty Synchronous
Motors—Electrical Box Switches II.
Speidel Corporation—Pressure Switches Catalog, p. 11.

Primary Examiner—Wallace R. Burke

Assistant Examiner—Lynn Wilder

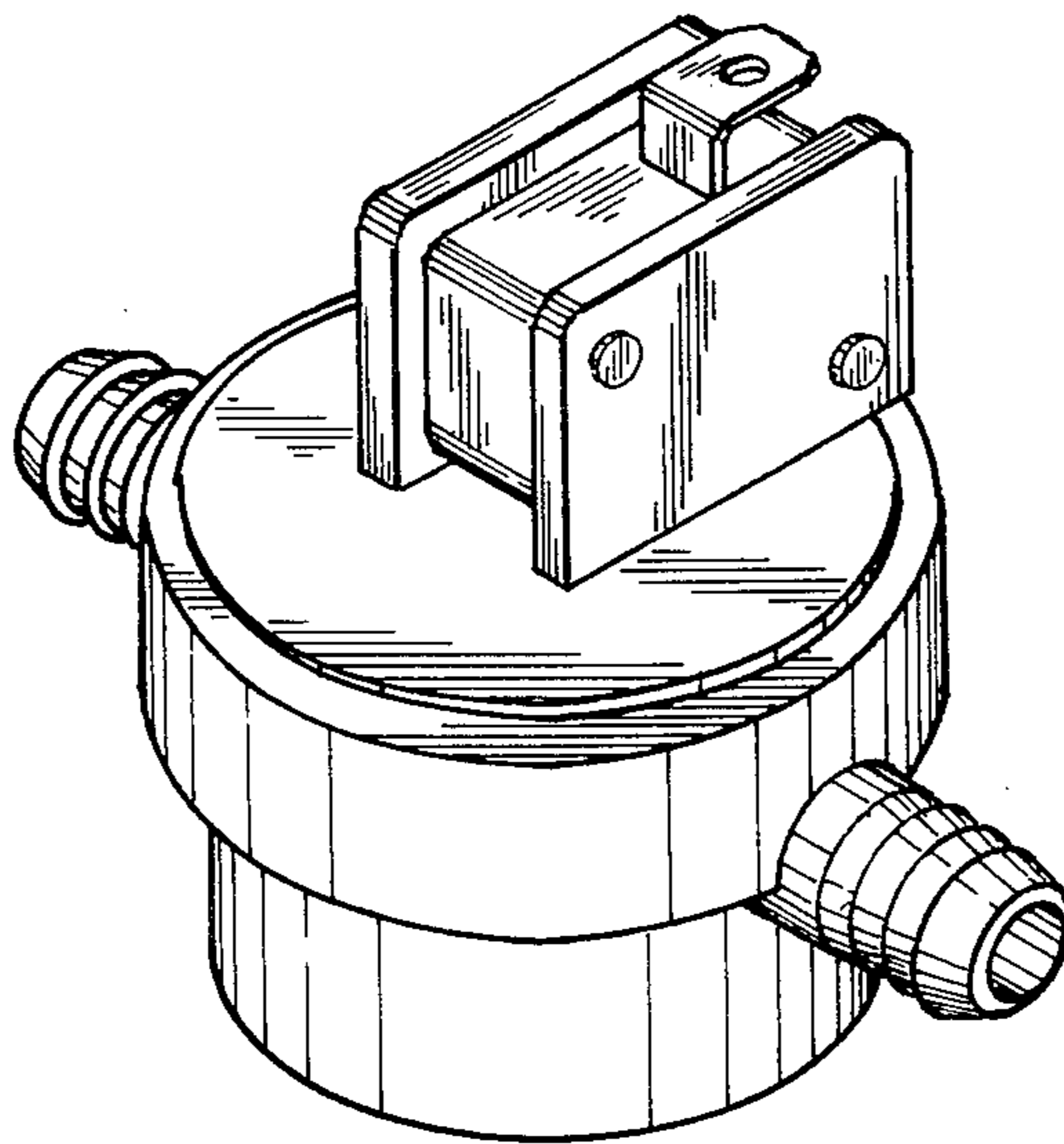
Attorney, Agent, or Firm—Harness, Dickey & Pierce

[57] CLAIM

The ornamental design for a pressure-responsive
switch, as shown and described.

DESCRIPTION

FIG. 1 is a top perspective view of a pressure-respon-
sive switch showing my new design; and
FIG. 2 is a bottom perspective view thereof.



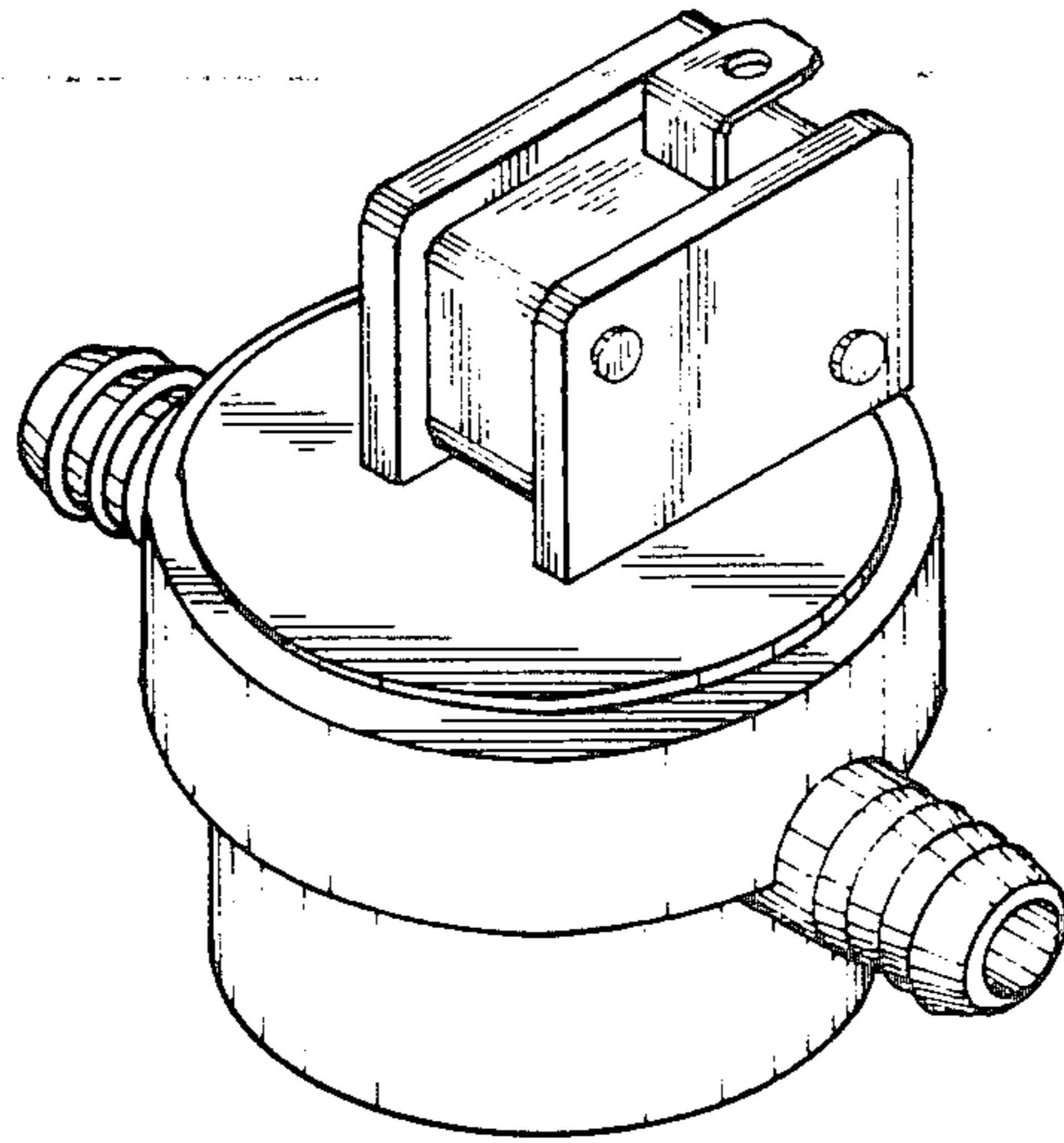


Fig. 1

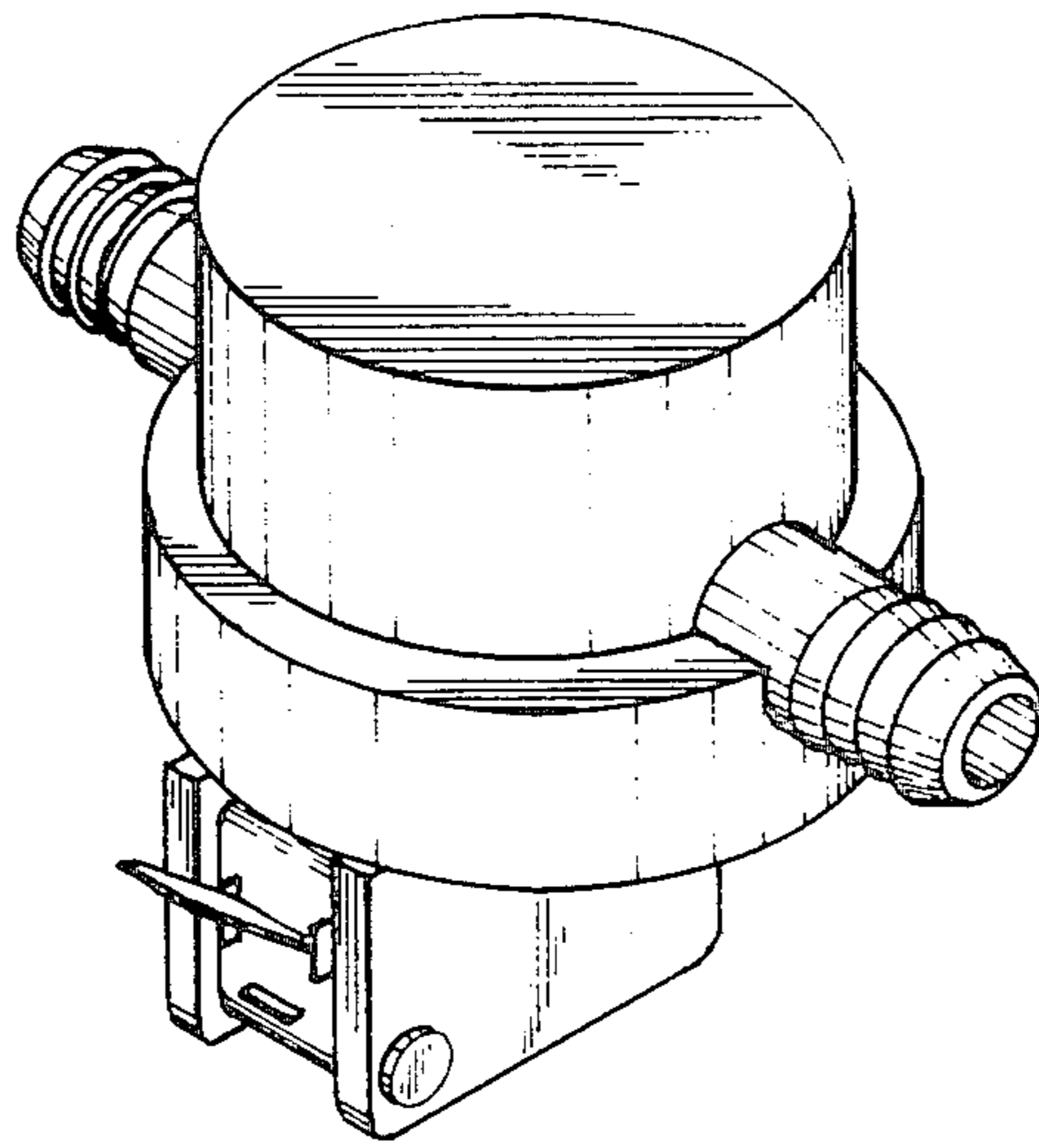


Fig. 2