

[54] SAILBOARD MAST TRACK

[76] Inventor: Gary Fontaine, 1280 Los Rios, Carmichael, Calif. 95608

[**] Term: 14 Years

[21] Appl. No.: 475,721

[22] Filed: Mar. 16, 1983

[52] U.S. Cl. D12/317

[58] Field of Search D12/317; 114/102, 104, 114/108, 112, 218, 204

[56] References Cited

U.S. PATENT DOCUMENTS

- D. 241,731 10/1976 Snyder D12/317
- 3,438,349 4/1969 Curtis et al. 114/102

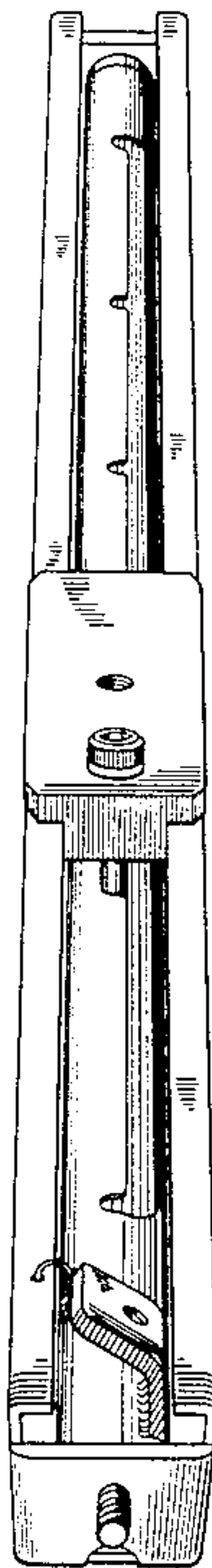
Primary Examiner—James M. Gandy
 Assistant Examiner—Kay H. Chin
 Attorney, Agent, or Firm—Mark C. Jacobs

[57] CLAIM

The ornamental design for a sailboard mast track, as shown and described.

DESCRIPTION

FIG. 1 is a top plan view of the sailboard mast track of this design.
 FIG. 2 is an inverted left side elevational view thereof, taken along line II—II of FIG. 1;
 FIG. 3 is a right side elevational view thereof, taken along line III—III of FIG. 1;
 FIG. 4 is a front elevational view thereof, taken along line IV—IV of FIG. 1;
 FIG. 5 is a rear elevational view taken along line V—V of FIG. 1;
 FIG. 6 is a bottom plan view taken along line VI—VI of FIG. 5;
 FIG. 7 is a top perspective view thereof, with the locking mechanism disengaged;
 FIG. 8 is a top perspective view thereof, with the locking mechanism engaged in one of a plurality of positions.



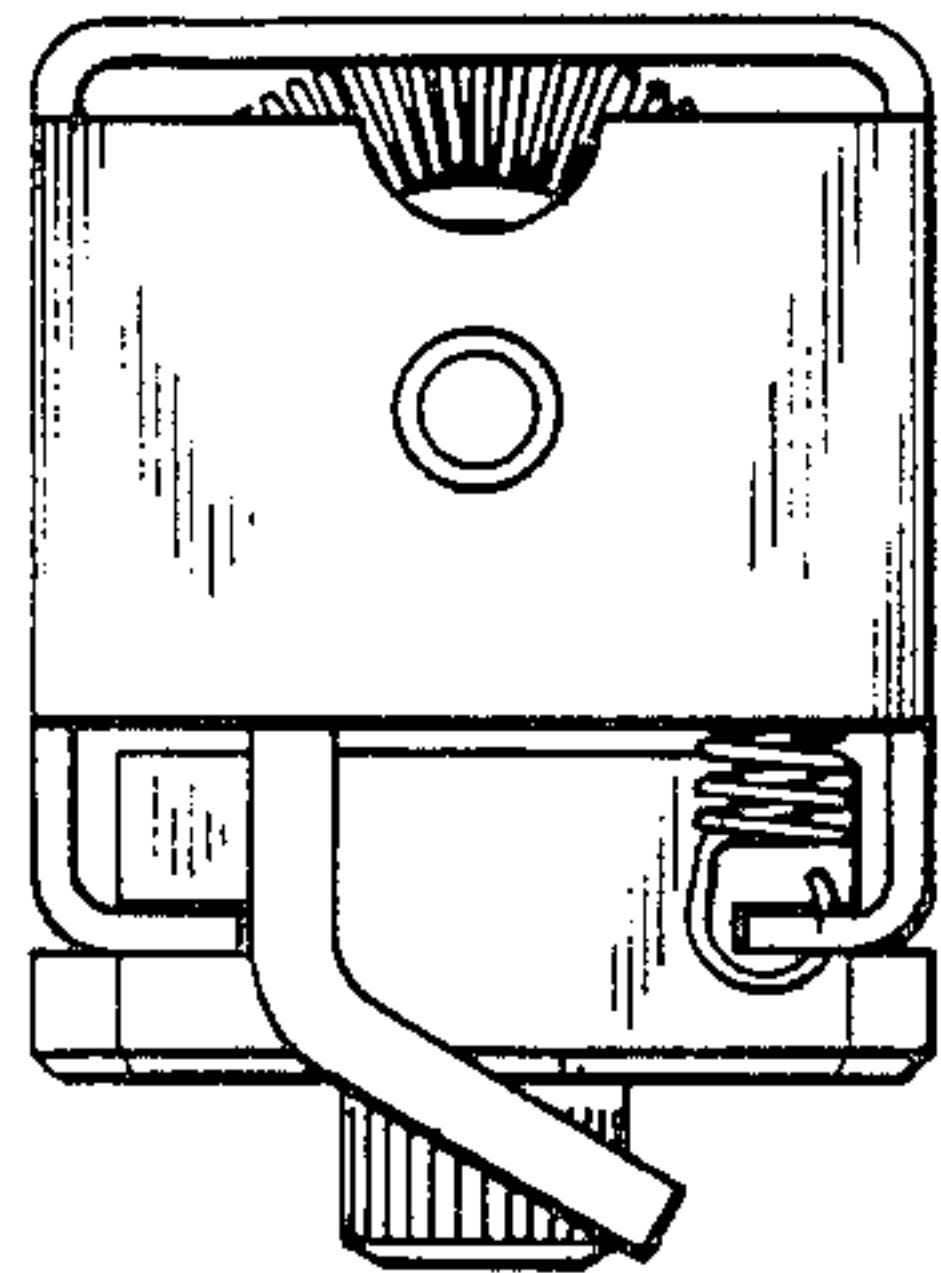
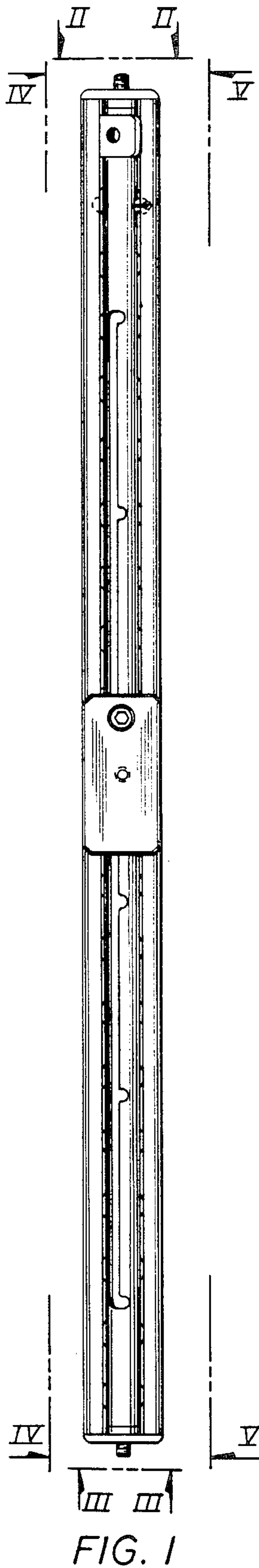


FIG. 2

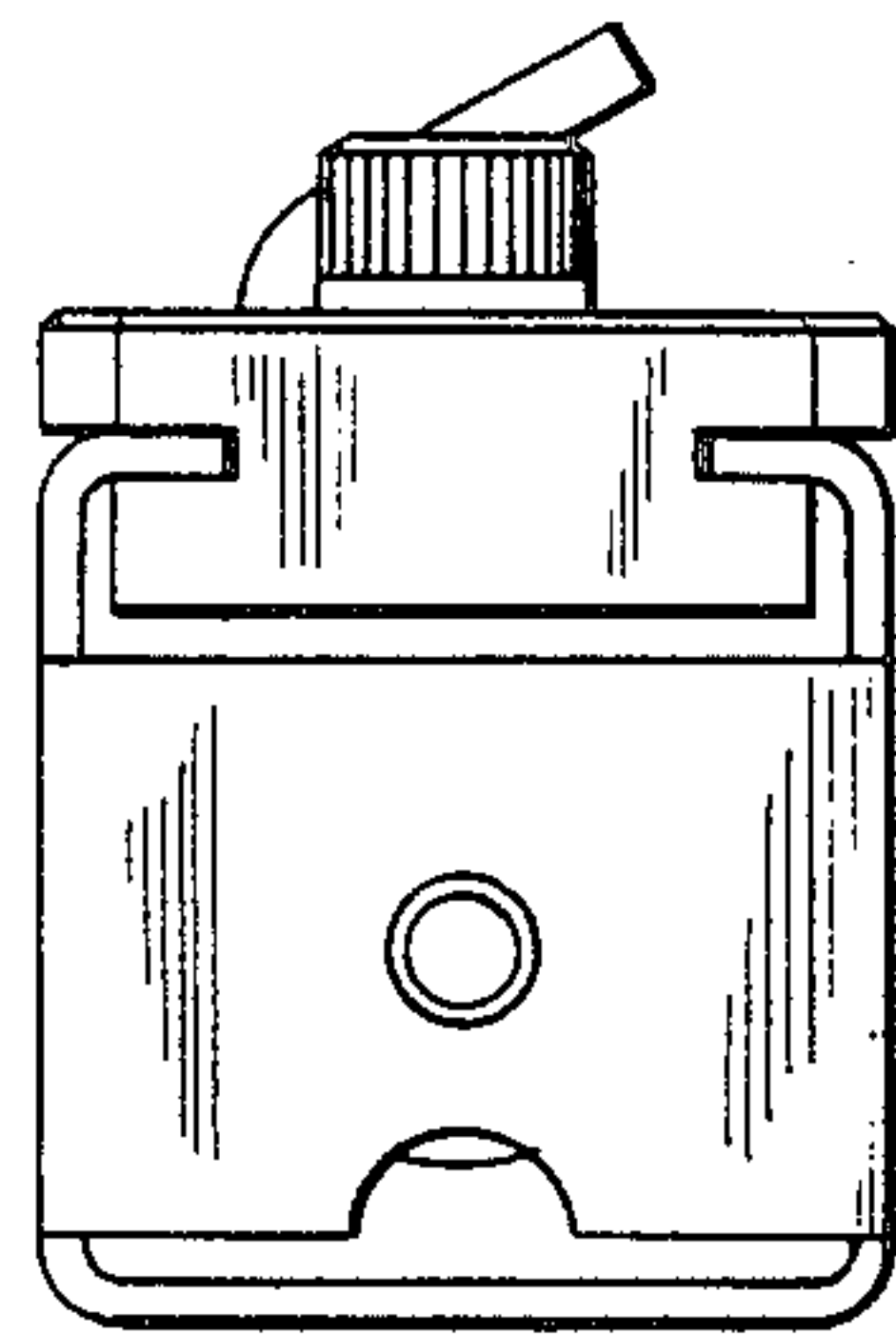


FIG. 3

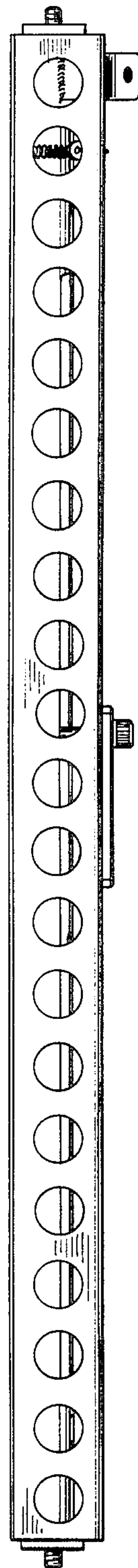


FIG. 4

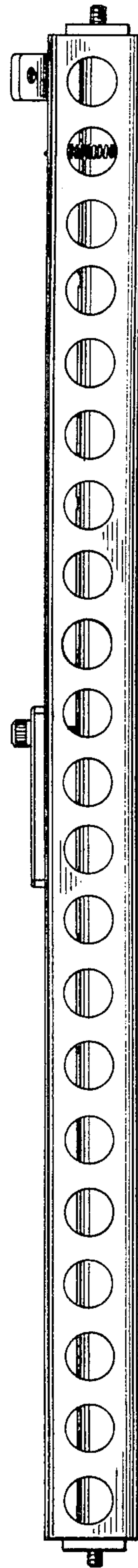


FIG. 5

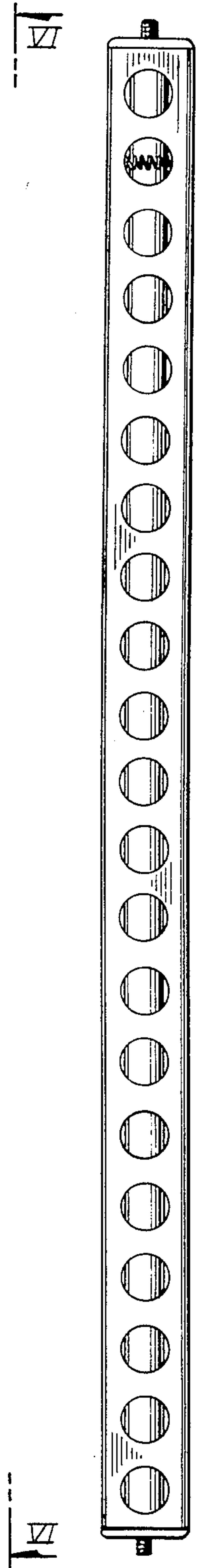


FIG. 6

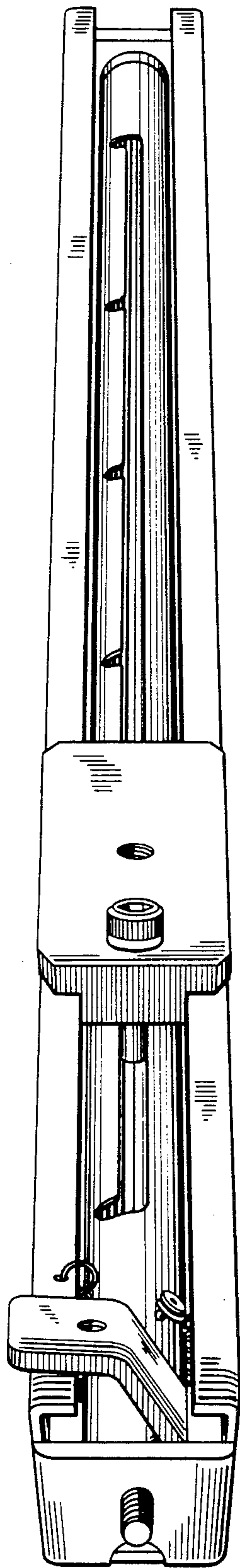


FIG. 7

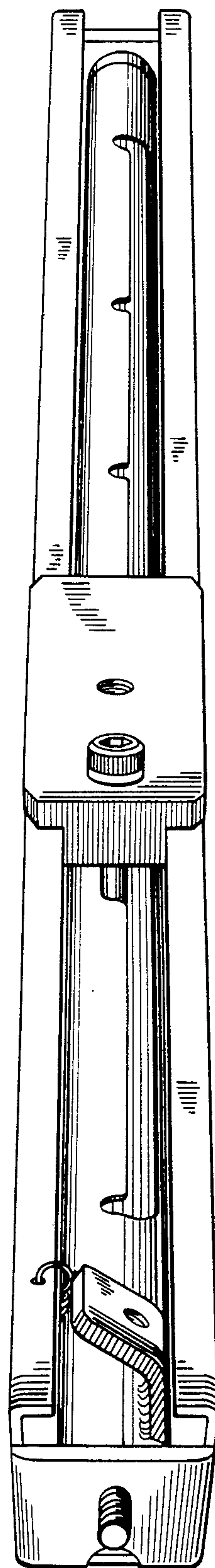


FIG. 8