

[54] SCRIBER TOOL

[76] Inventor: Howard B. Johnson, 1620 C Ackerman Dr., Lodi, Calif. 95240

[**] Term: 14 Years

[21] Appl. No.: 478,407

[22] Filed: Mar. 24, 1983

[52] U.S. Cl. D10/73; D19/38; D19/41

[58] Field of Search D19/35-41; D10/61, 64, 73; 33/18 R, 18 C, 23 E, 41 E, 41 B, 27 B, 30 G, 149 B, 149 R, 149 C-149 J, 153 C

[56] References Cited

U.S. PATENT DOCUMENTS

682,539	9/1901	Freuler	33/149 F
695,565	3/1902	Knapp	33/153 C
1,633,875	6/1927	Sweeney	33/149 F

FOREIGN PATENT DOCUMENTS

80009 1/1894 Fed. Rep. of Germany 33/149 B

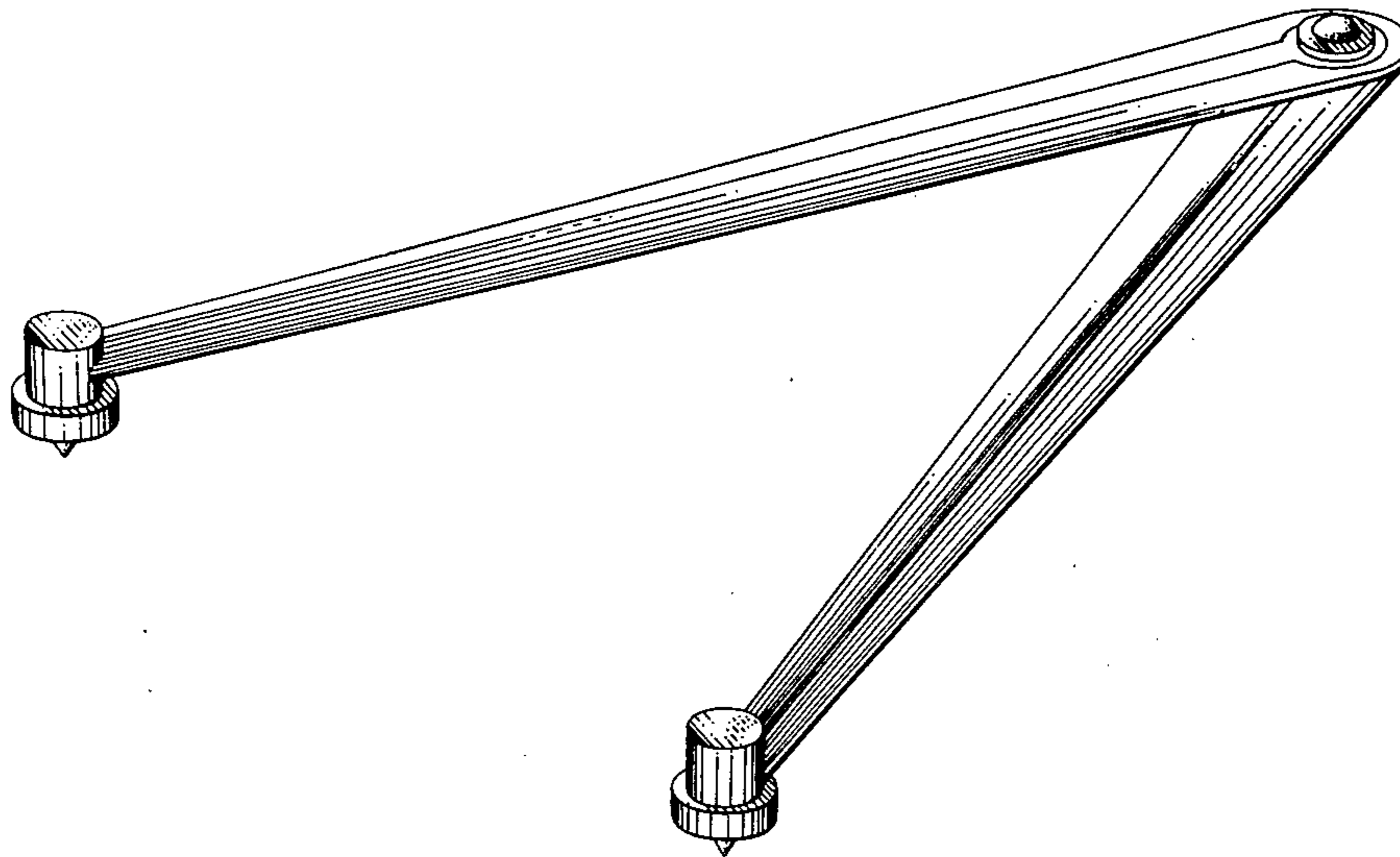
Primary Examiner—George P. Word
Attorney, Agent, or Firm—Lothrop & West

[57] CLAIM

The ornamental design for a scriber tool, as shown and described.

DESCRIPTION

FIG. 1 is a front perspective view of a scriber tool, in an open position, showing my new design; FIG. 2 is a top plan view thereof; FIG. 3 is a bottom plan view thereof; FIG. 4 is a front elevational view thereof; FIG. 5 is a rear elevational view thereof; FIG. 6 is a top plan view thereof in closed position; FIG. 7 is a left side elevational view of FIG. 6; FIG. 8 is a right side elevational view of FIG. 6; and, FIG. 9 is a sectional view thereof, to an enlarged scale, the plane of the section being indicated by the line 9—9 in FIG. 6.



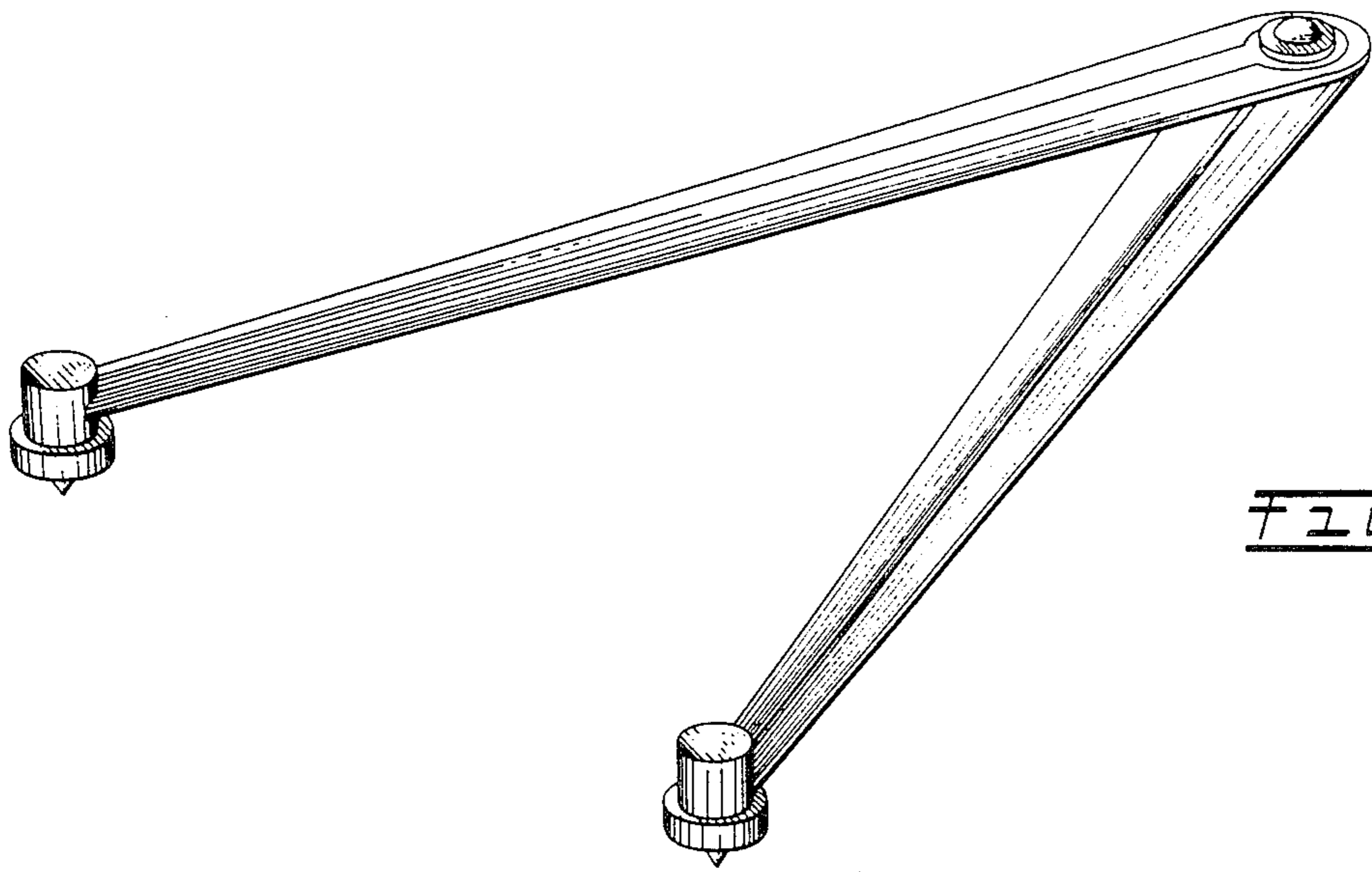


FIG-1

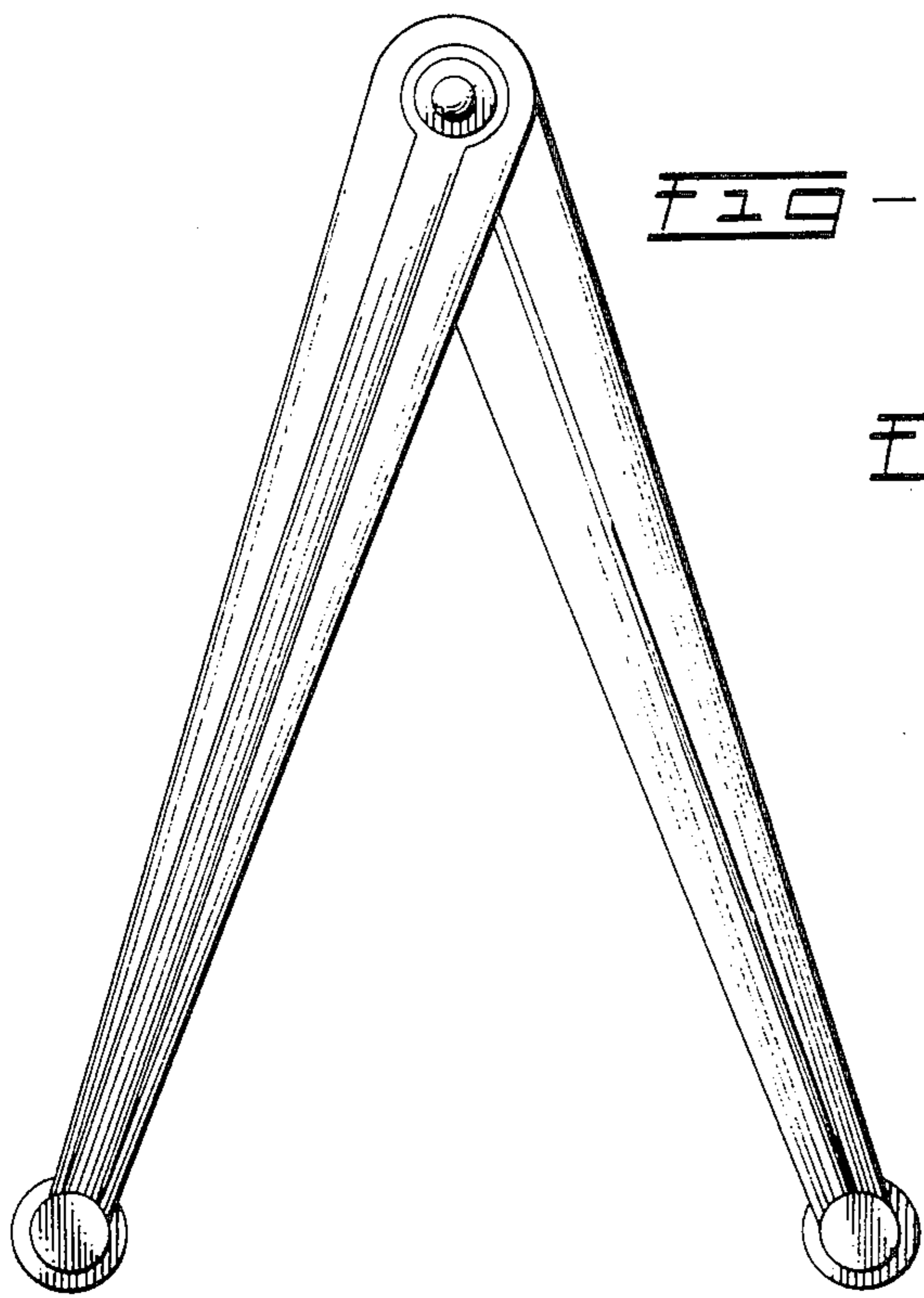


FIG-2

FIG-3

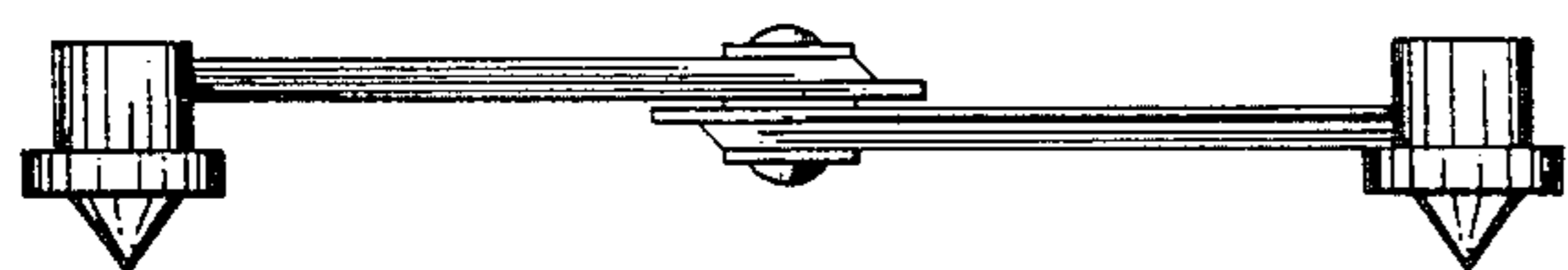
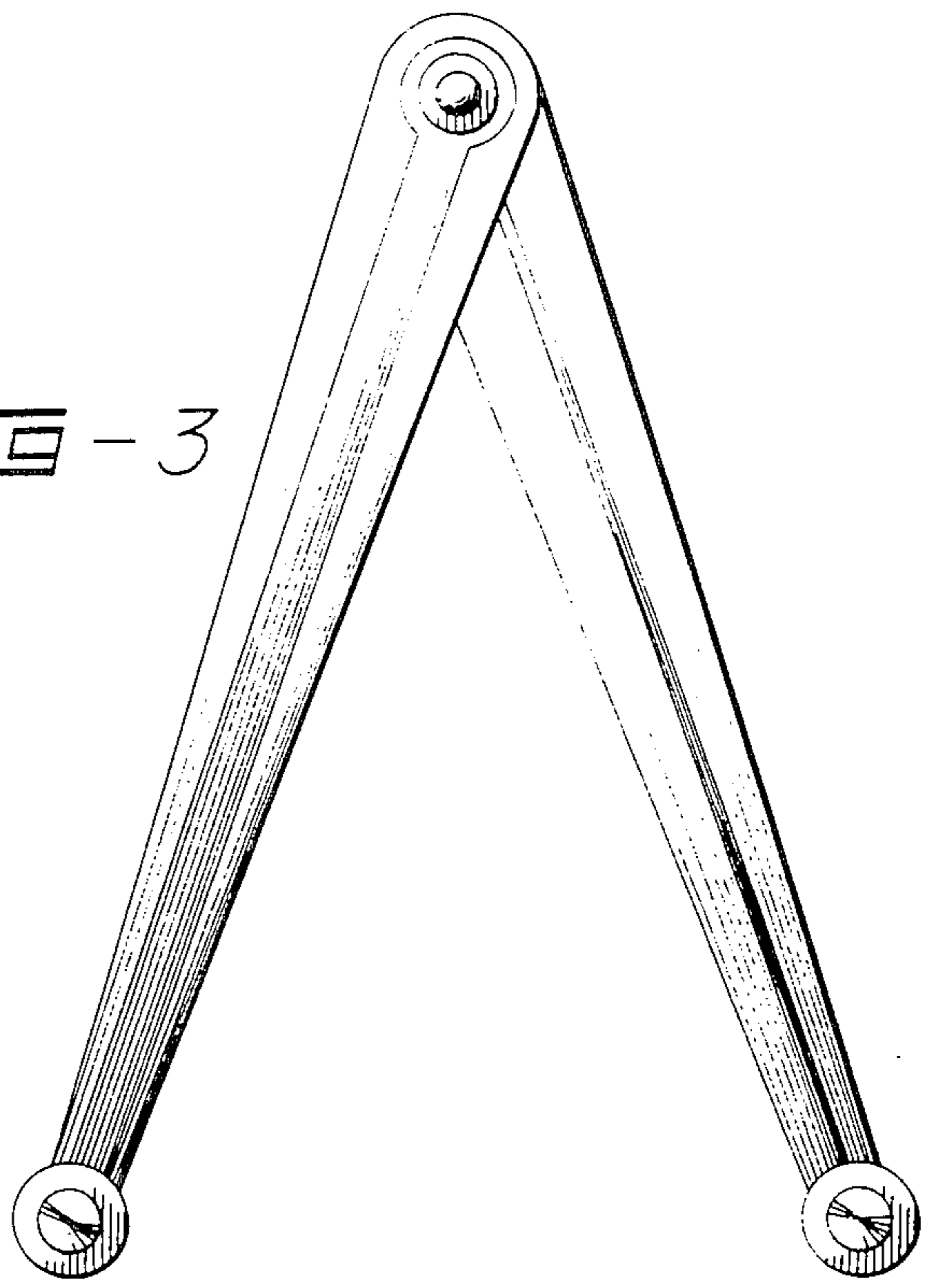


FIG-4



FIG-5

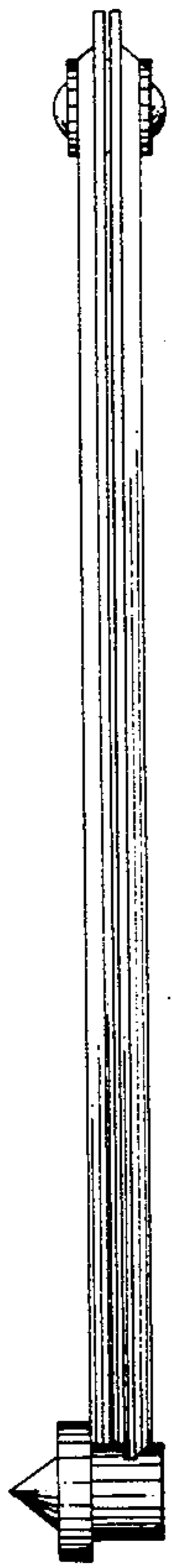


FIG-7

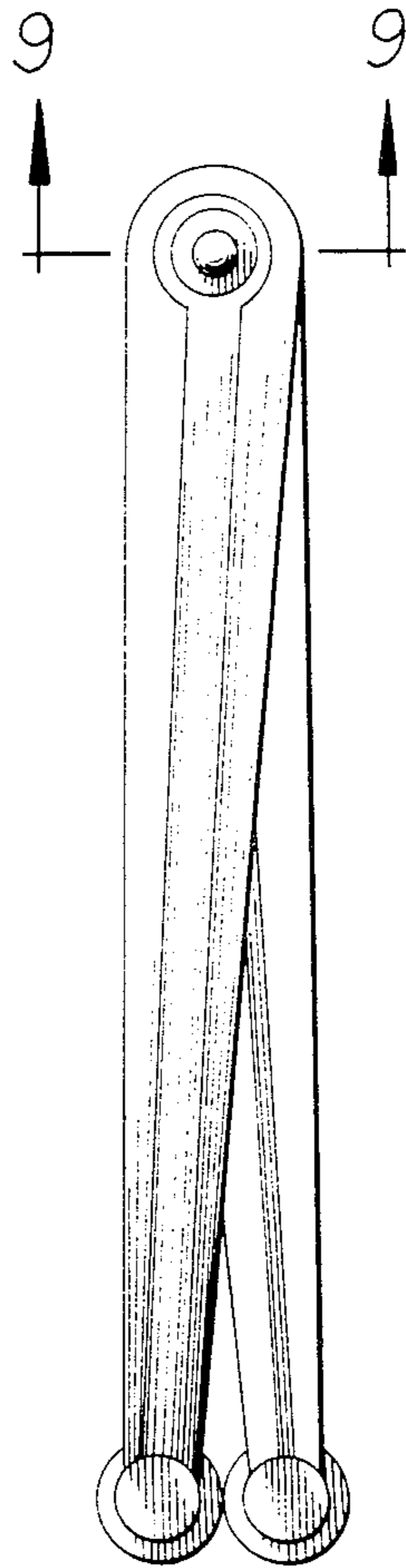


FIG-6

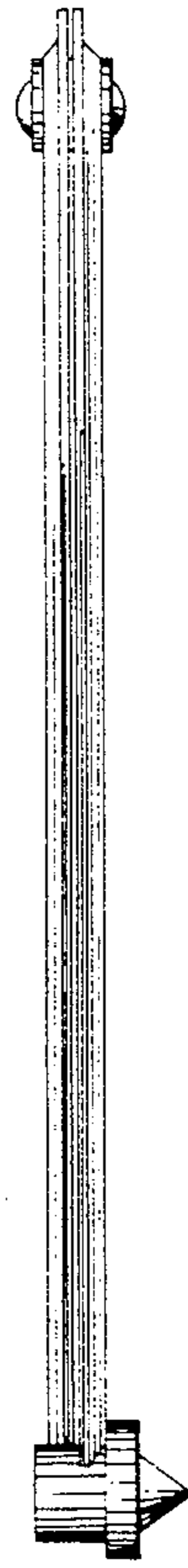


FIG-8

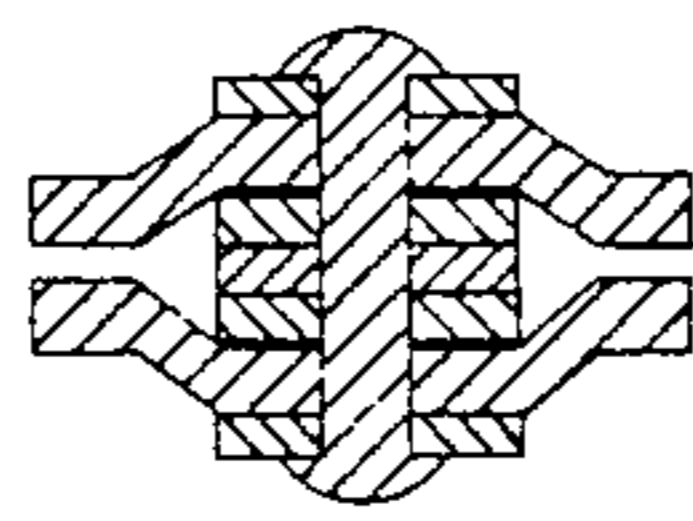


FIG-9