

[54] CARTON

[75] Inventor: John C. Nielsen, St. Clair, Australia

[73] Assignee: Visymonde Investments PTE Ltd., Singapore

[**] Term: 14 Years

[21] Appl. No.: 423,471

[22] Filed: Sep. 24, 1982

[30] Foreign Application Priority Data

Jan. 15, 1982 [AU] Australia 86,267

[52] U.S. Cl. D9/432; D9/433

[58] Field of Search 229/52 R, 52 A, 52 B; D9/414, 418, 420, 423, 432, 433

[56] References Cited

U.S. PATENT DOCUMENTS

- D. 219,084 10/1970 Moore D9/432 X
- D. 266,226 9/1982 Zdarsky et al. D9/432 X
- D. 274,405 6/1984 Miyazaki D9/432 X
- 2,986,324 5/1961 Anderson, Jr. 229/52 B
- 3,216,645 11/1965 Hemann 229/52 B
- 3,591,070 7/1971 Vrana 229/52 B X

- 4,010,888 3/1977 Gilbert 229/52 B
- 4,286,714 9/1981 Zdarsky et al. 229/52 A X
- 4,311,268 1/1982 Soliven 229/52 B X
- 4,331,289 5/1982 Killy 229/52 BC X

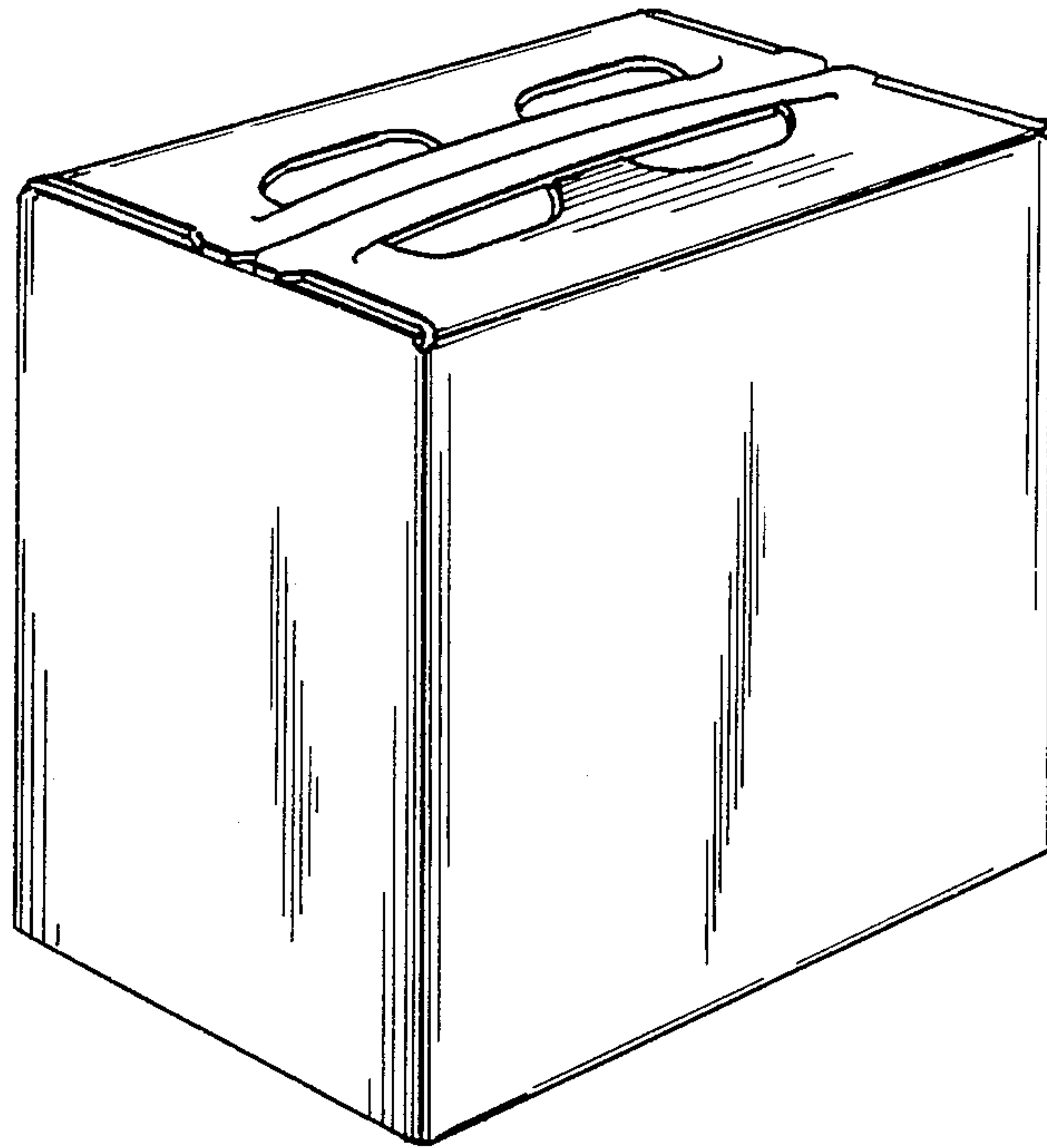
Primary Examiner—Robert C. Spangler
Attorney, Agent, or Firm—Cushman, Darby & Cushman

[57] CLAIM

The ornamental design for a carton, as shown and described.

DESCRIPTION

FIG. 1 is a top perspective view of a carton showing my new design;
 FIG. 2 is a bottom perspective view thereof;
 FIG. 3 is a plan view in a completely unfolded condition;
 FIG. 4 is a view looking from the right of FIG. 3;
 FIG. 5 is a top perspective view showing a modified form of my new design;
 FIG. 6 is a bottom perspective view thereof;
 FIG. 7 is a plan view in a completely unfolded condition; and
 FIG. 8 is a view looking from the right of FIG. 7.
 The dash lines in FIGS. 3 and 7 represent fold lines.



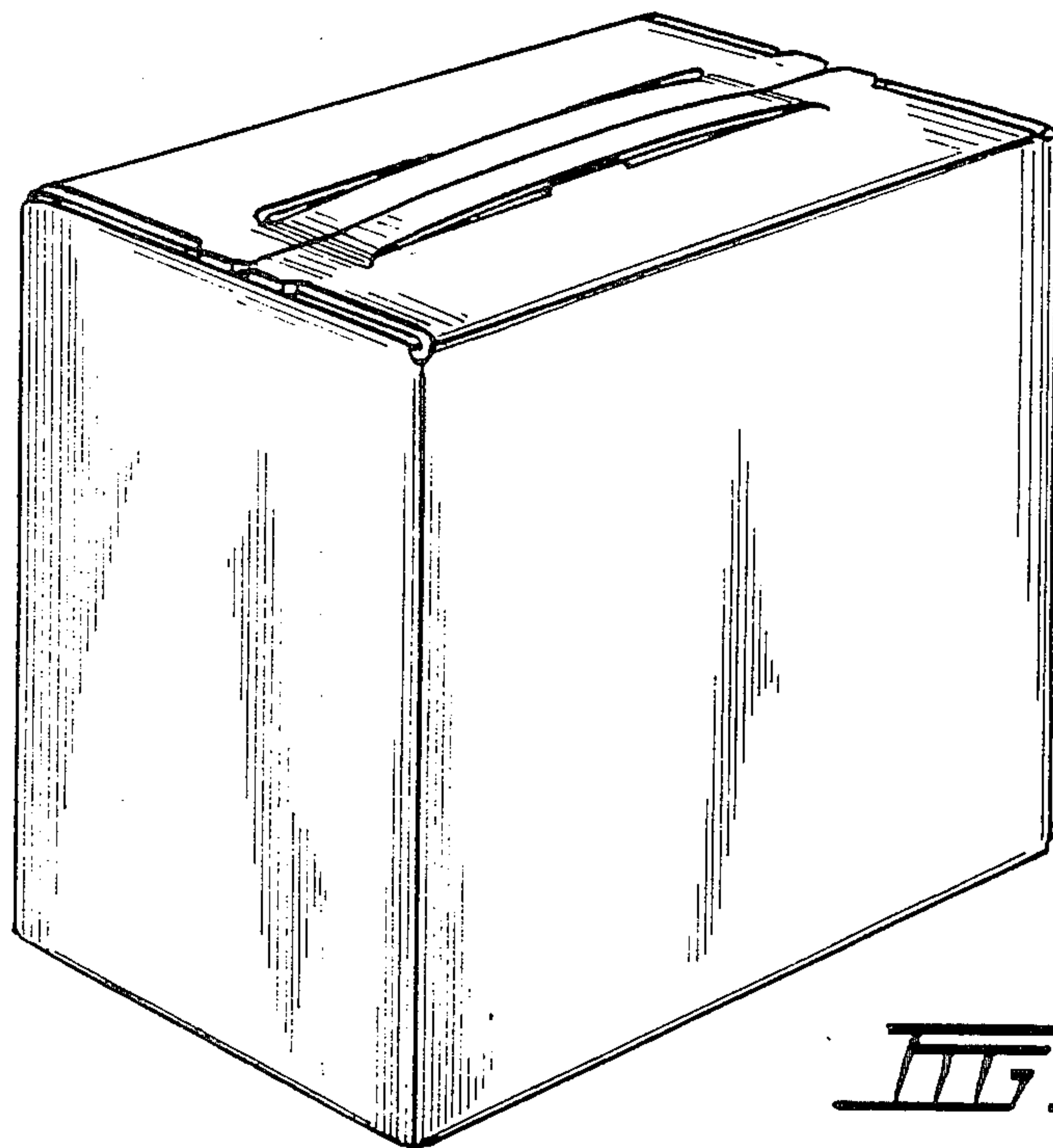


FIG. 1.

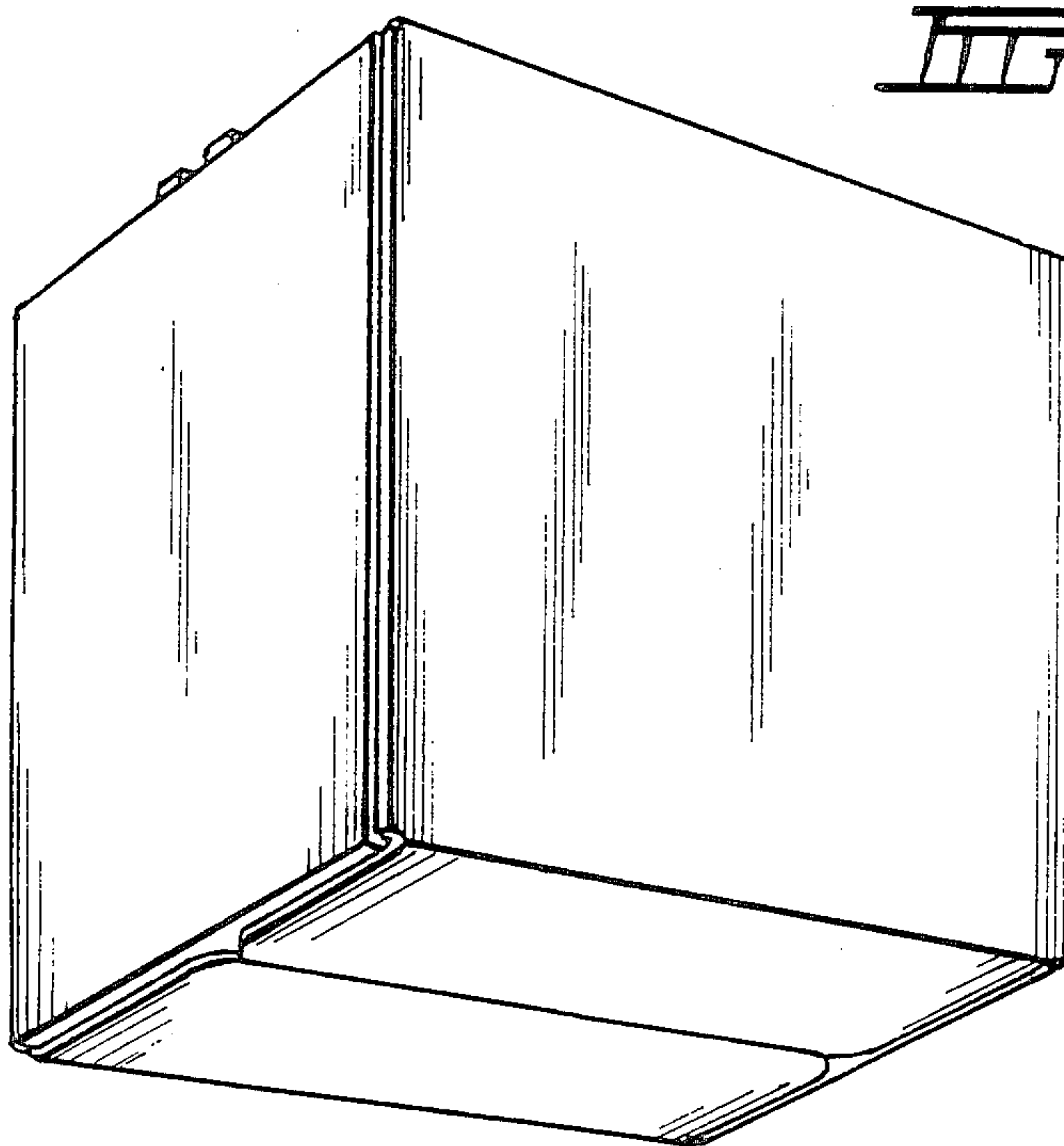


FIG. 2.

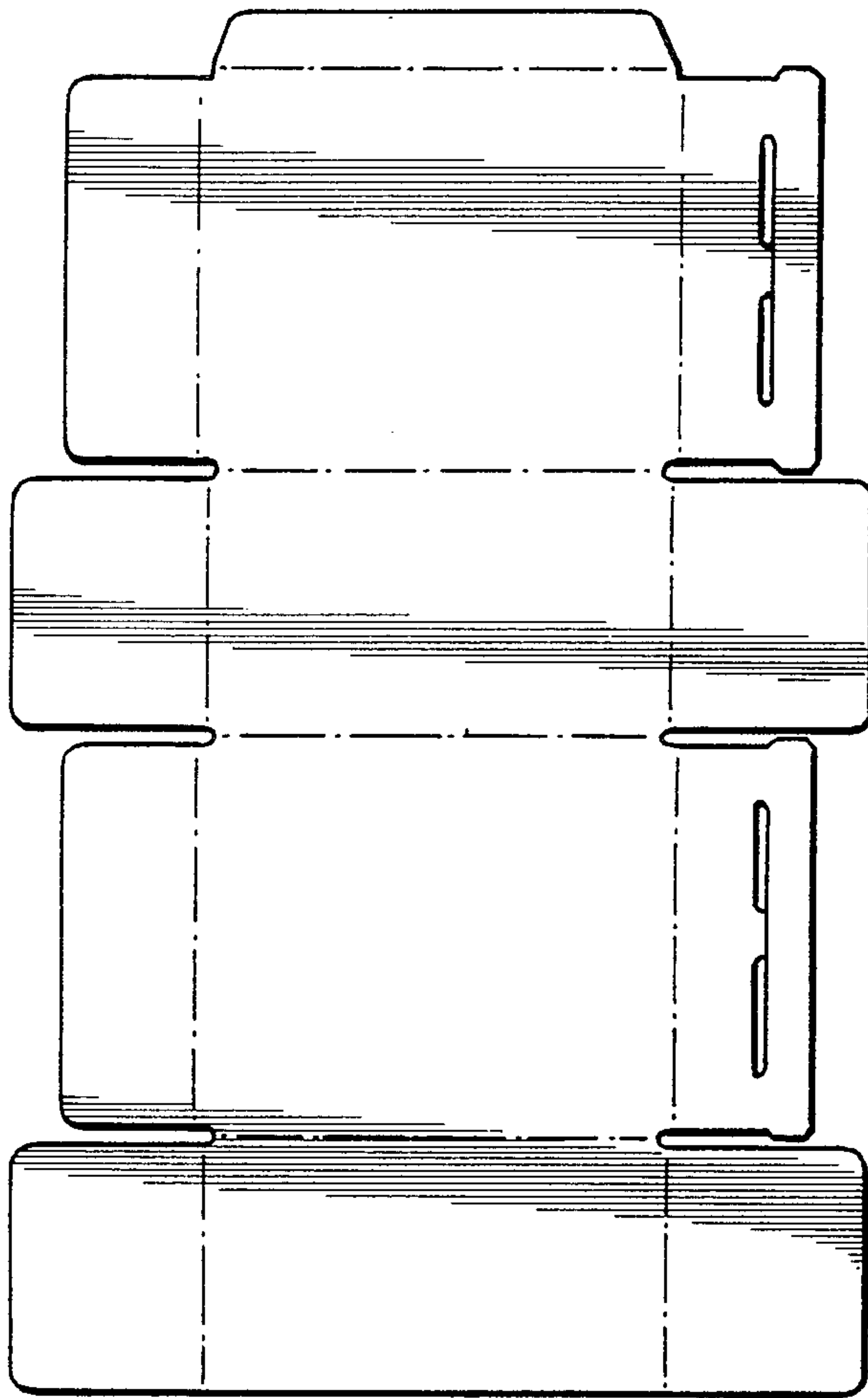


FIG. 3.

FIG. 4.

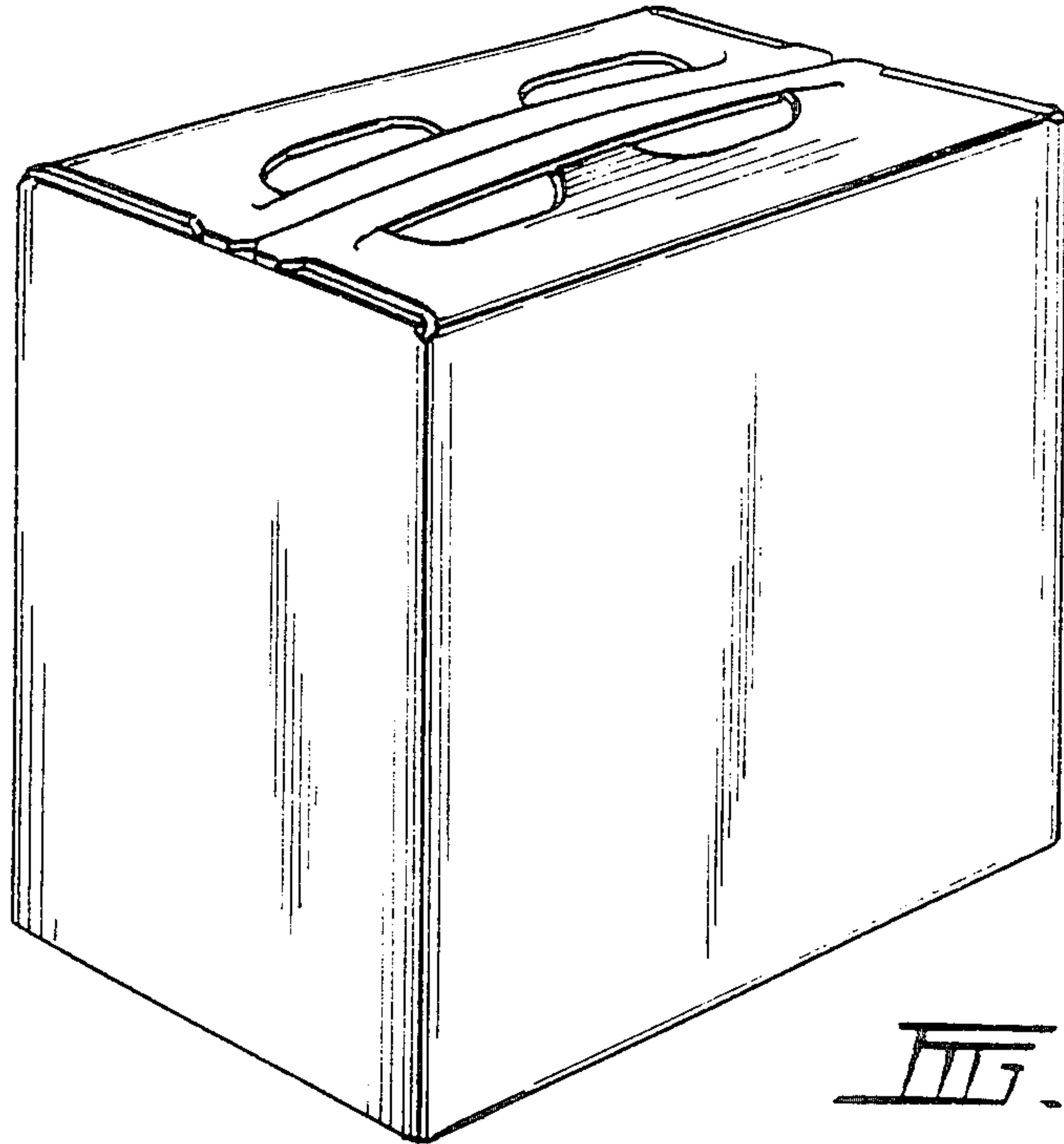


FIG. 5.

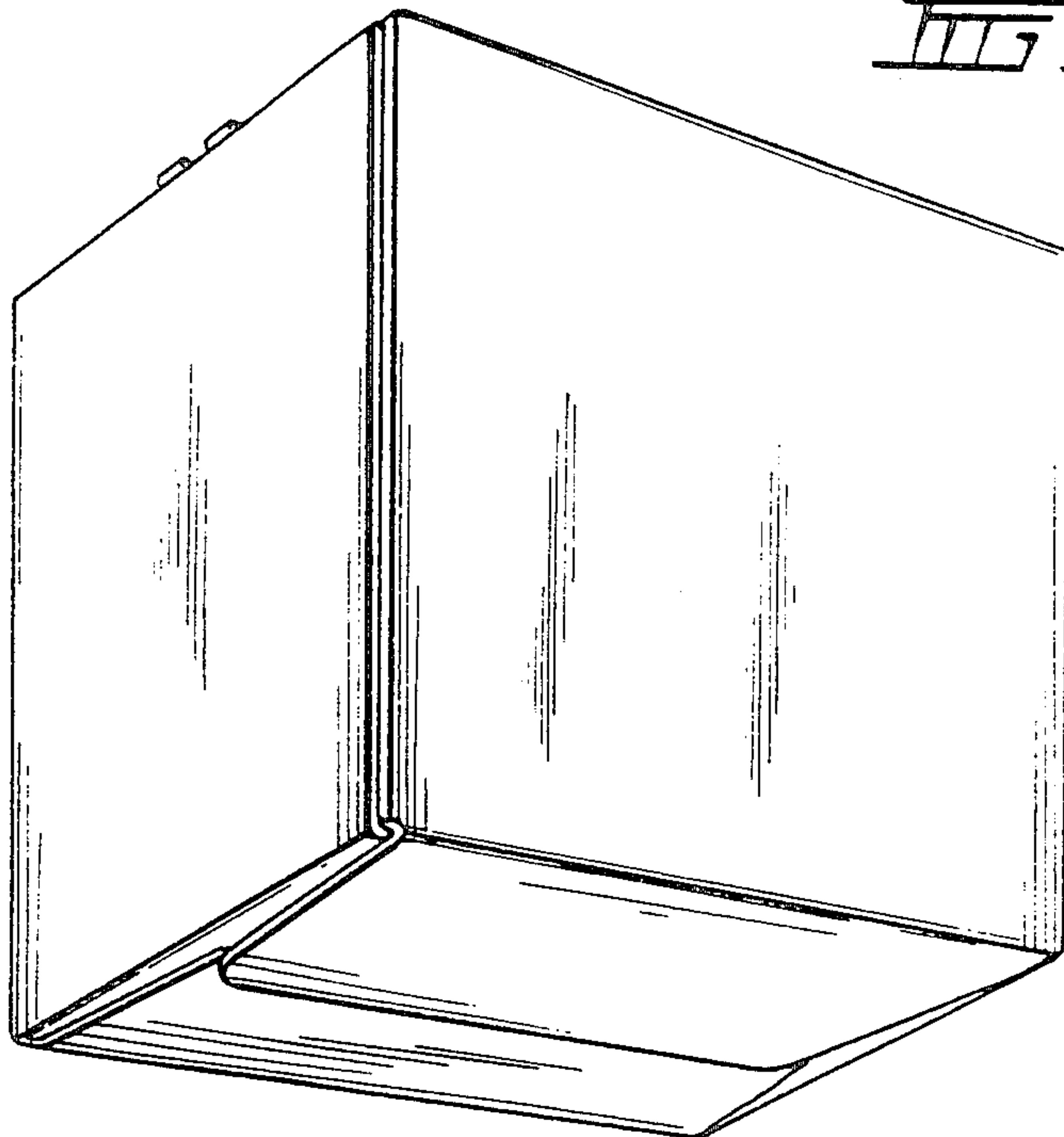


FIG. 6.

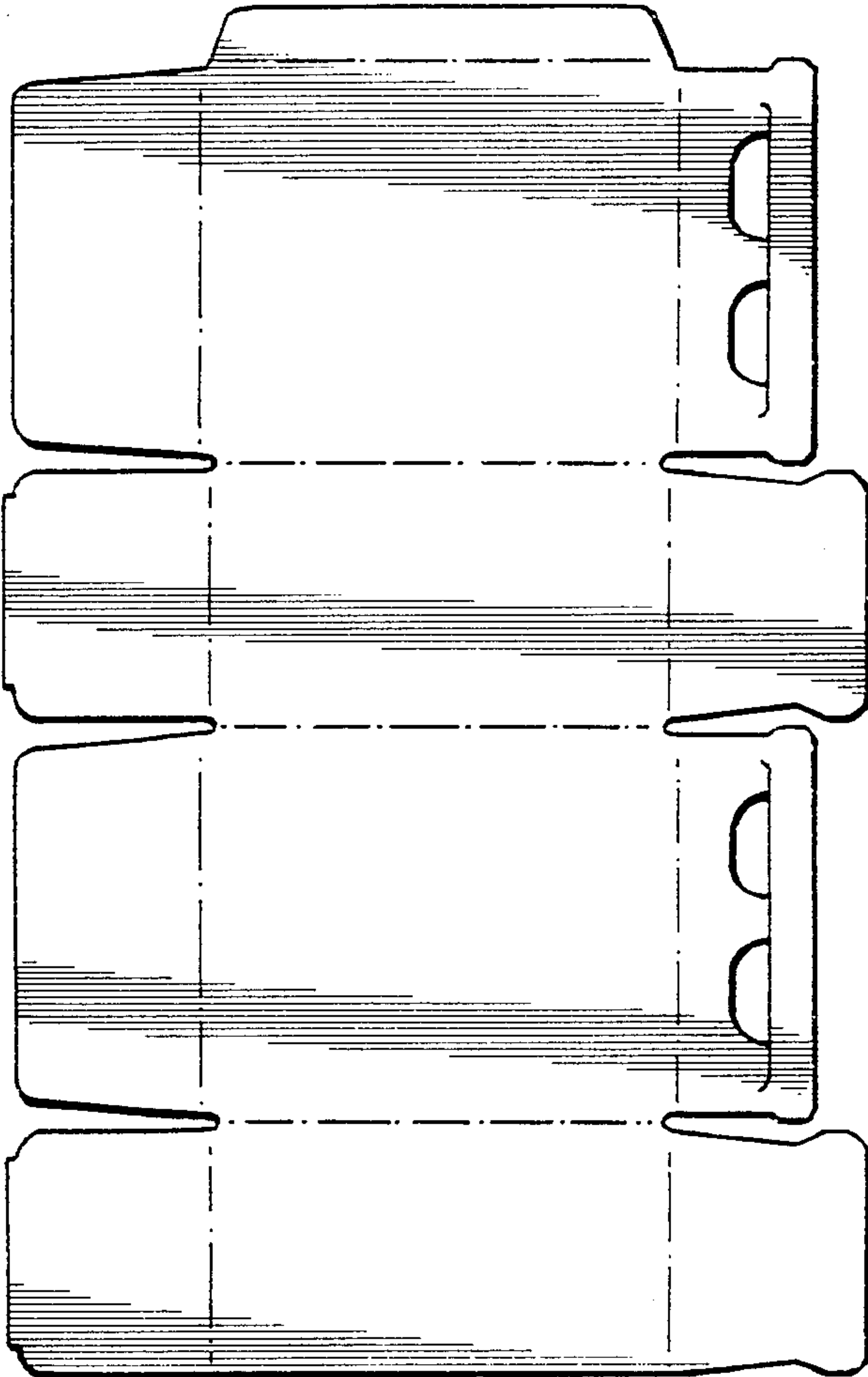


FIG. 7.

FIG. 8.