

[54] PACKAGING CONTAINER

[75] Inventor: Frank S. Tyler, Seven Oaks, England

[73] Assignee: Lever Brothers Company, New York, N.Y.

[\*\*] Term: 14 Years

[21] Appl. No.: 457,305

[22] Filed: Jan. 11, 1983

[30] Foreign Application Priority Data

Jul. 16, 1982 [GB] United Kingdom ..... 1007779

[52] U.S. Cl. .... D9/425; D9/431; D9/432

[58] Field of Search ..... D9/424-429; 229/1.5 B, 2.5, 3.5; 206/519, 520; 220/72

[56] References Cited

U.S. PATENT DOCUMENTS

D. 196,537	10/1963	Bostrom	.....	D9/425
D. 198,764	7/1964	Bostrom	.....	D9/425
D. 200,178	1/1965	Barnes	.....	D9/425
D. 204,212	3/1966	Davis	.....	D9/429
D. 271,083	10/1983	Tyler	.....	D9/429 X
3,253,762	5/1966	Gaunt	.....	D9/425 X

Primary Examiner—Robert C. Spangler  
Attorney, Agent, or Firm—Lynne Darcy; James J. Farrell

[57] CLAIM

The ornamental design for a packaging container, substantially as shown and described.

DESCRIPTION

FIG. 1 is a bottom plan view of a packaging container showing my new design;  
FIG. 2 is a partial, sectional view taken on the line II—II of FIG. 1;  
FIG. 3 is a top perspective view; and  
FIG. 4 is a side elevational view.

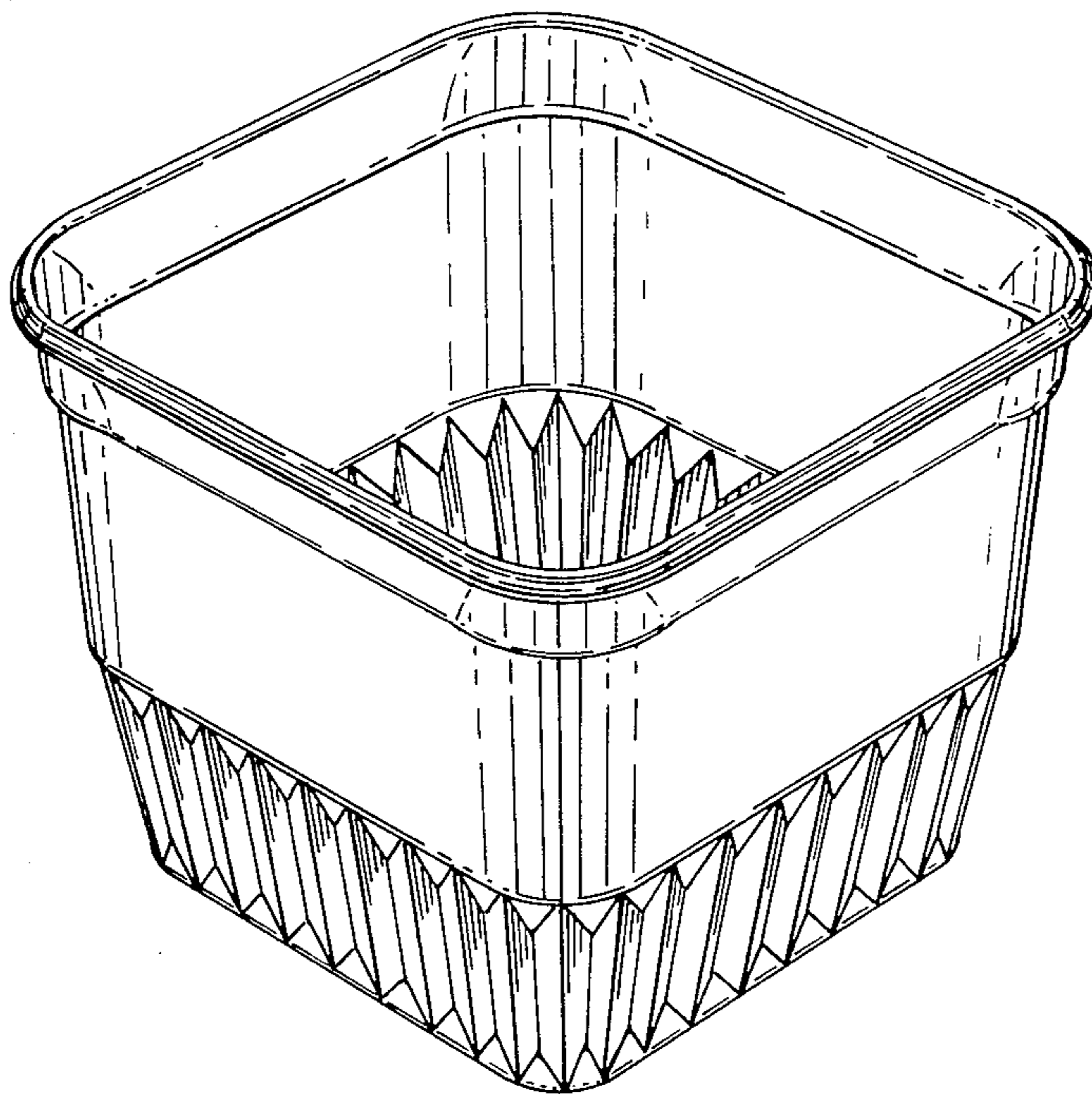


Fig. 1.

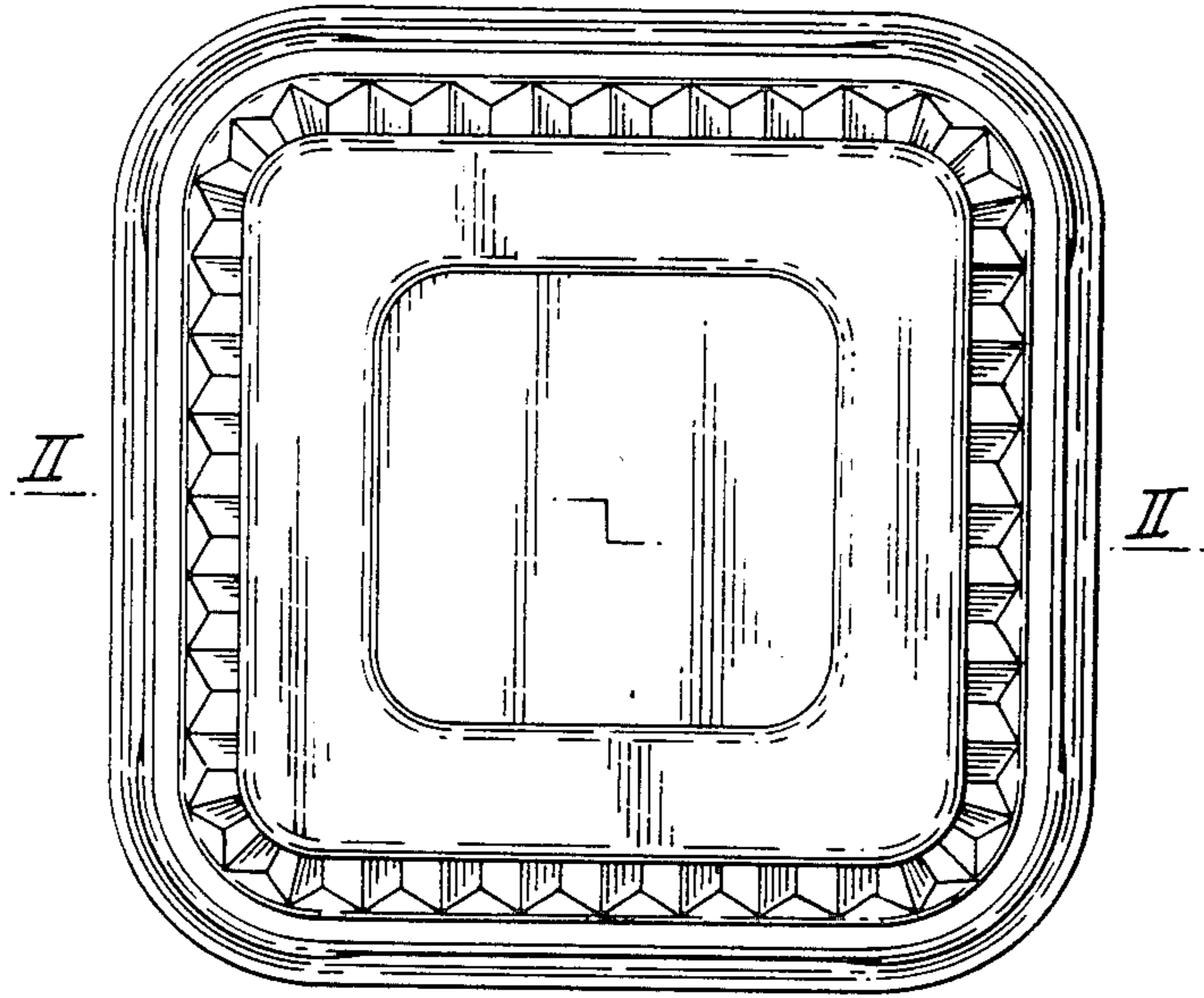
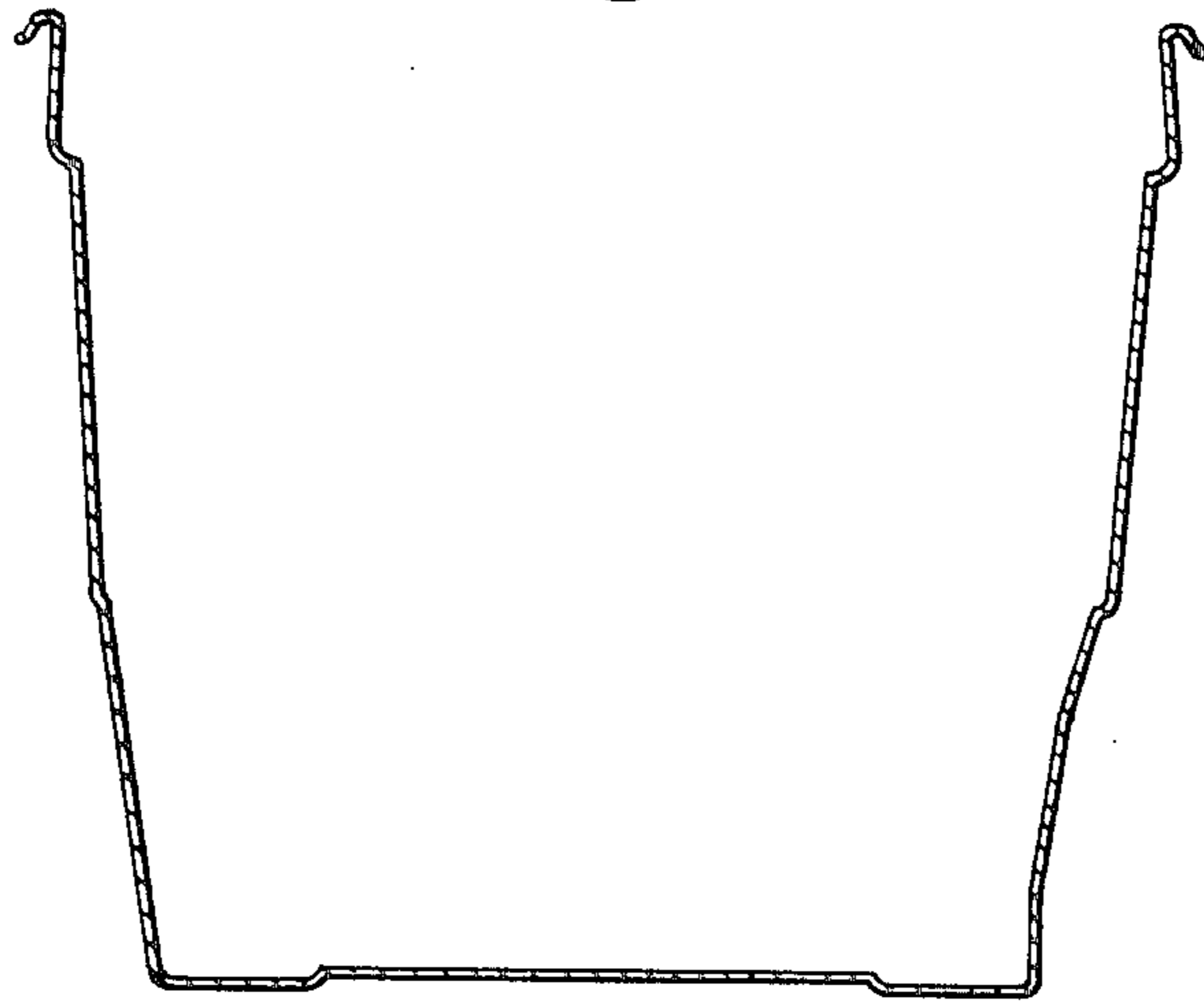
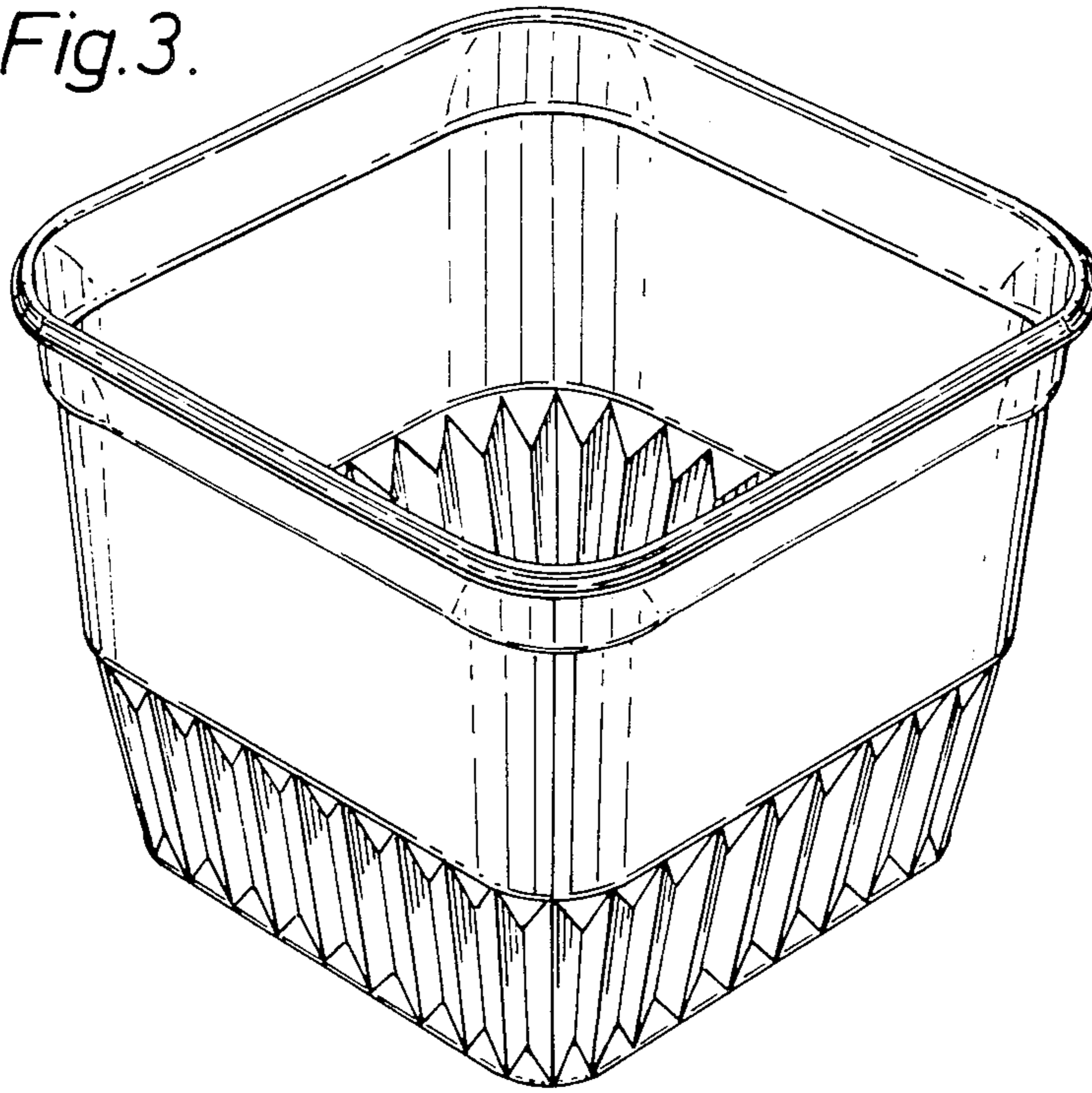


Fig. 2.



*Fig. 3.*



*Fig. 4.*

