

[54] PORTABLE WINE BAR

[76] Inventor: Norman H. Schlesinger, 418 Richland La., Pittsburgh, Pa. 15203

[**] Term: 14 Years

[21] Appl. No.: 409,647

[22] Filed: Aug. 19, 1982

[52] U.S. Cl. D7/308

[58] Field of Search D7/300, 305, 308, 307; 222/129, 129.1, 130, 146 C

[56] References Cited

U.S. PATENT DOCUMENTS

D. 154,457	7/1949	Blanchard et al.	D7/307
888,406	5/1908	Neely	D7/307 X
1,012,621	12/1911	Friese	D7/307 X
2,746,646	5/1956	Hall	D7/308 X
3,122,279	2/1964	Crum	D7/308 X

Primary Examiner—Bernard Ansher

Assistant Examiner—Linda Titolo
Attorney, Agent, or Firm—William J. Ruano

[57] CLAIM

The ornamental design for a portable wine bar, as shown and described.

DESCRIPTION

FIG. 1 is a top front perspective view of a portable wine bar showing my new design with a portion of the side wall fragmentarily broken away for clarity of illustration;

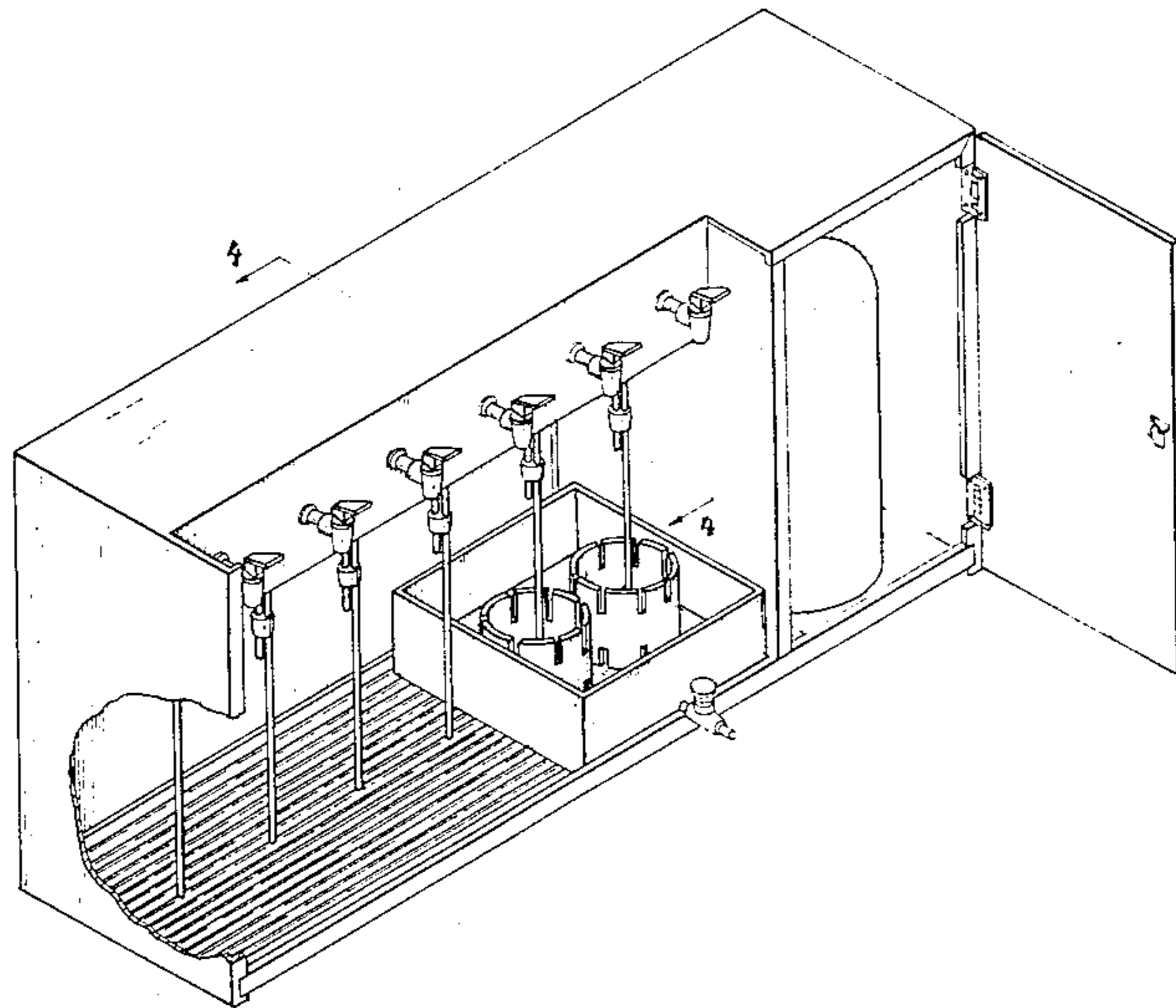
FIG. 2 is a bottom rear perspective view thereof;

FIG. 3 is a top perspective view of the ice container shown in FIG. 1, shown at an enlarged scale;

FIG. 4 is a cross-sectional view taken on line 4—4 of FIG. 1; the broken lines representing the wine bottle are shown for illustrative purposes only;

FIG. 5 is a front elevational view of the portable wine bar of FIG. 1; and

FIG. 6 is a rear elevational view thereof.



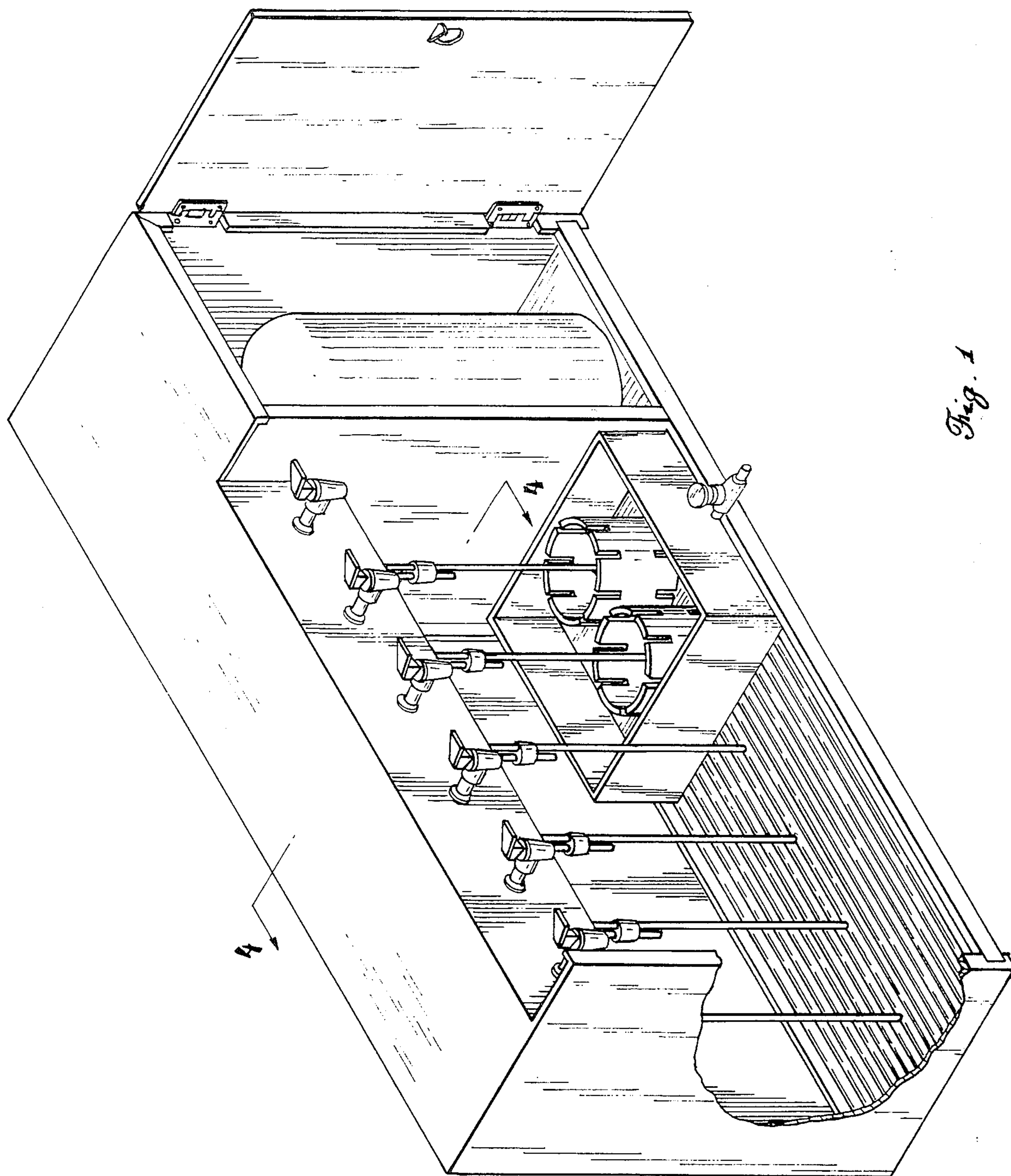


Fig. 1

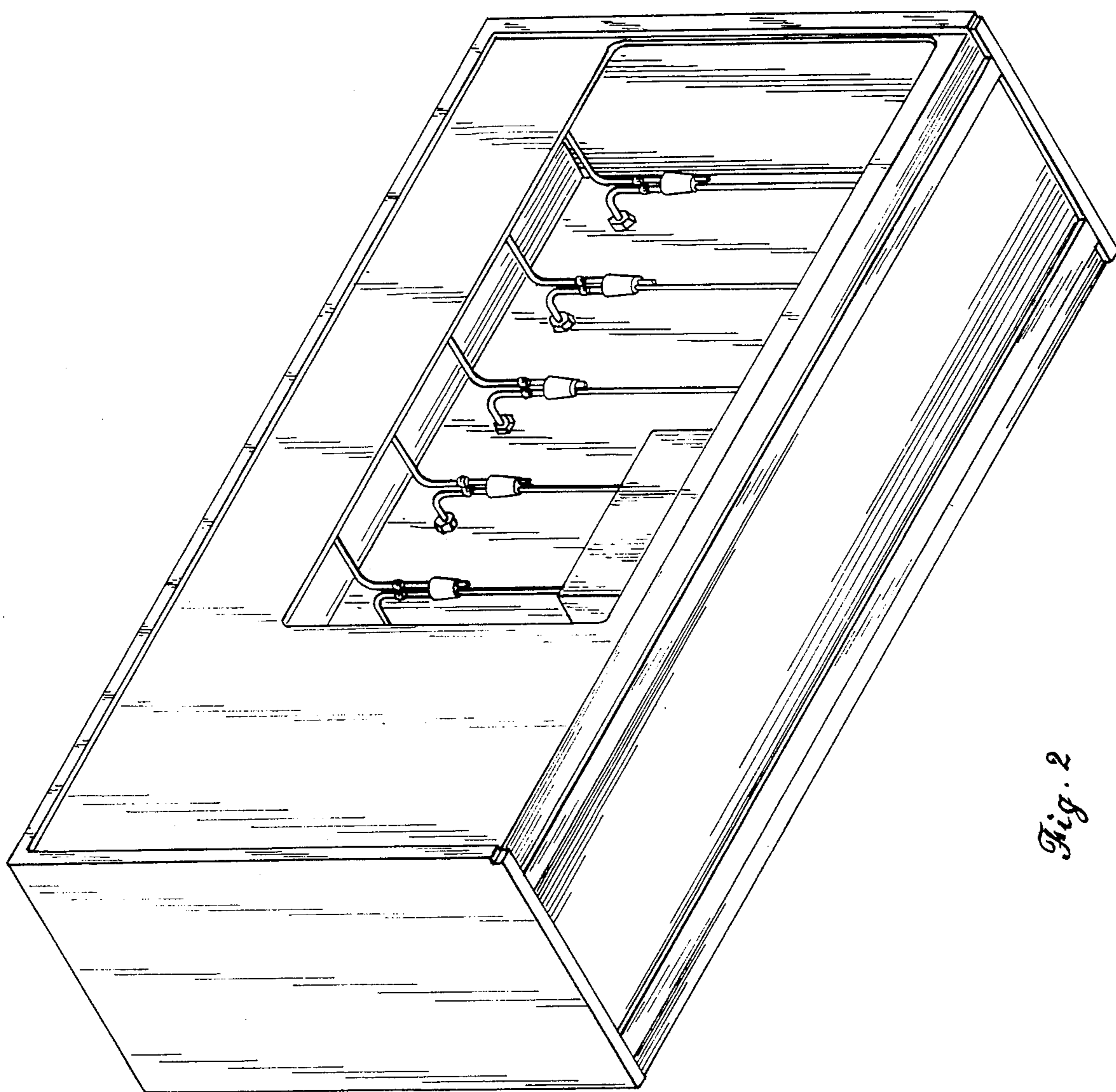


Fig. 2

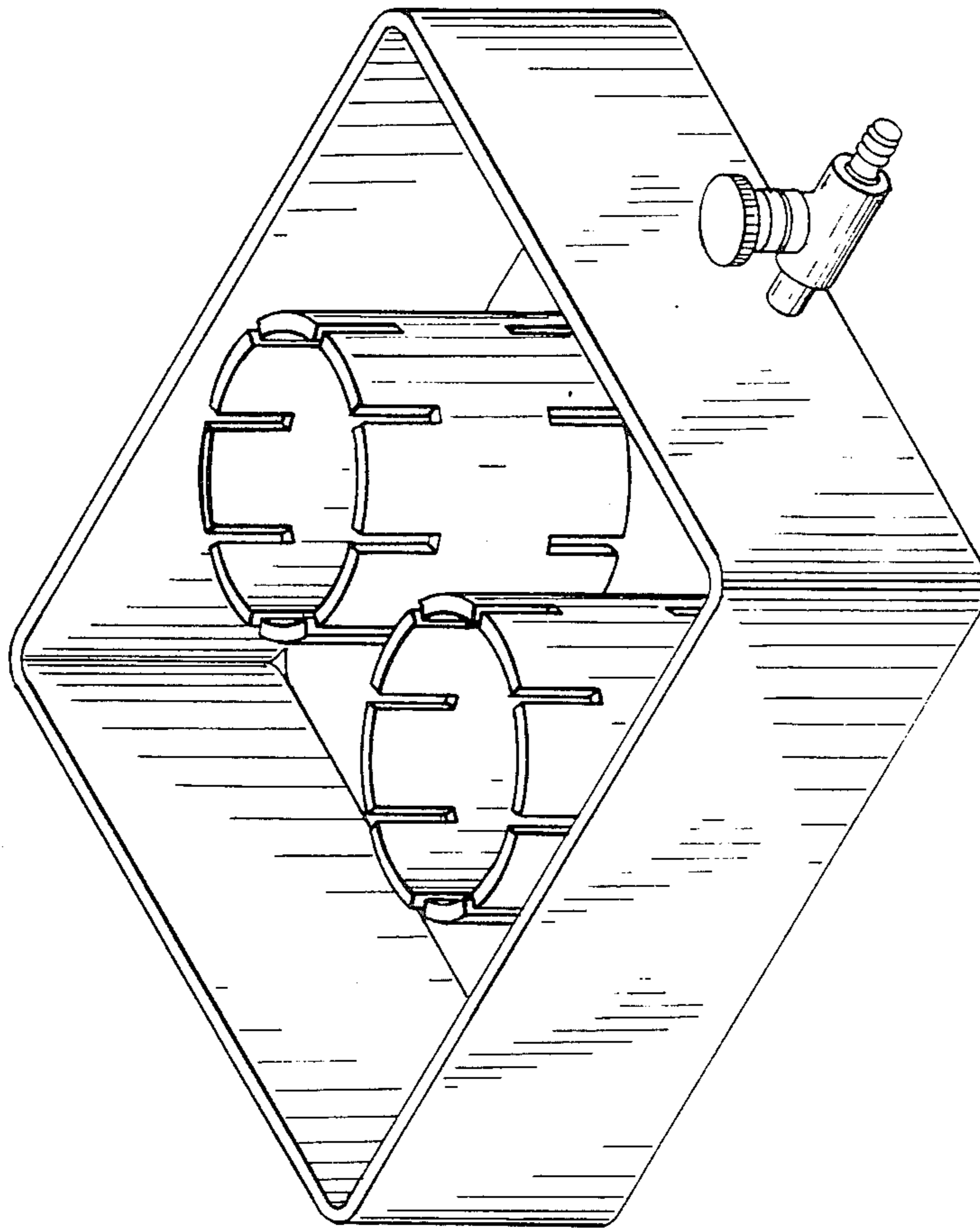


Fig. 3

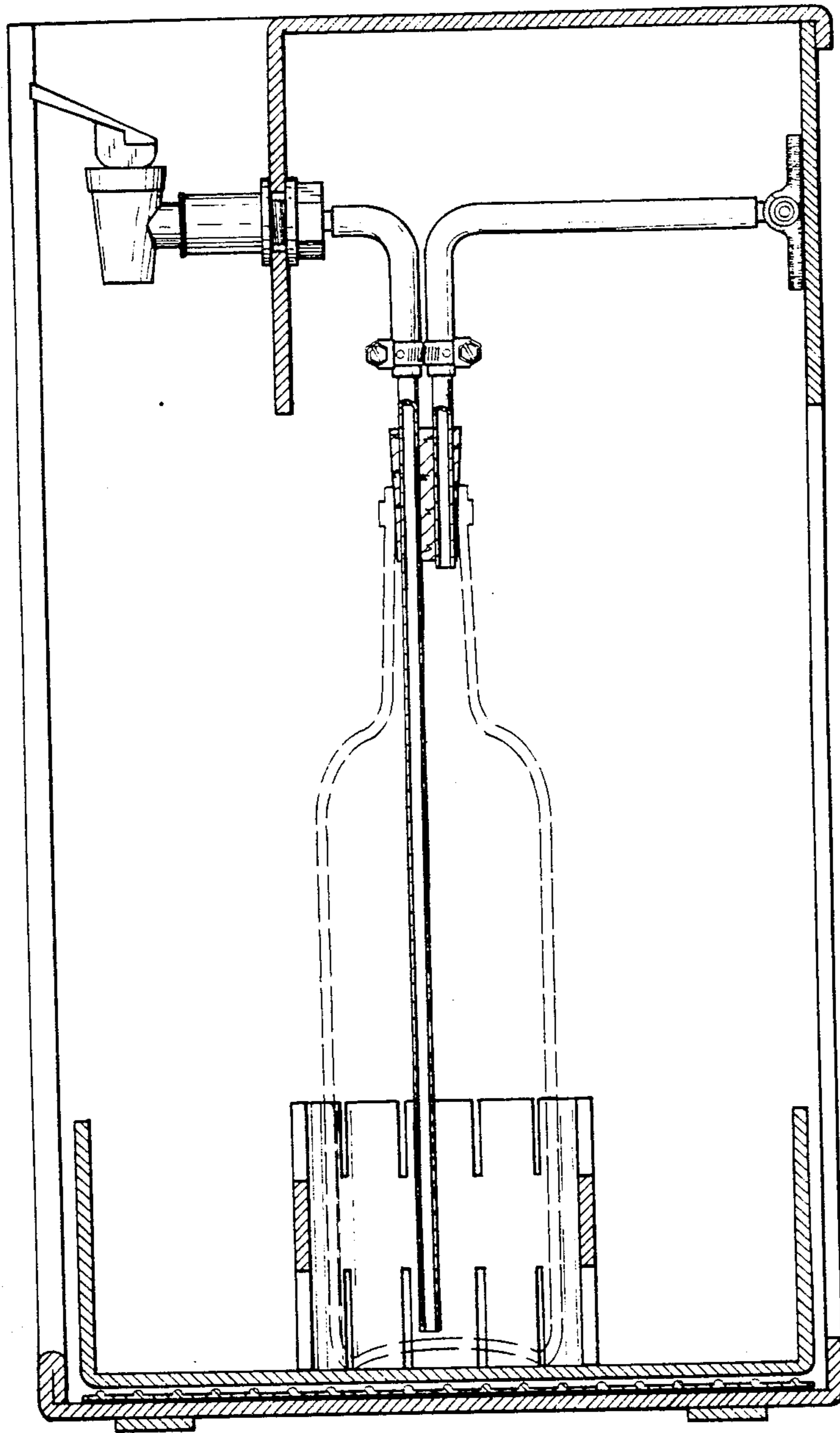


Fig. 4

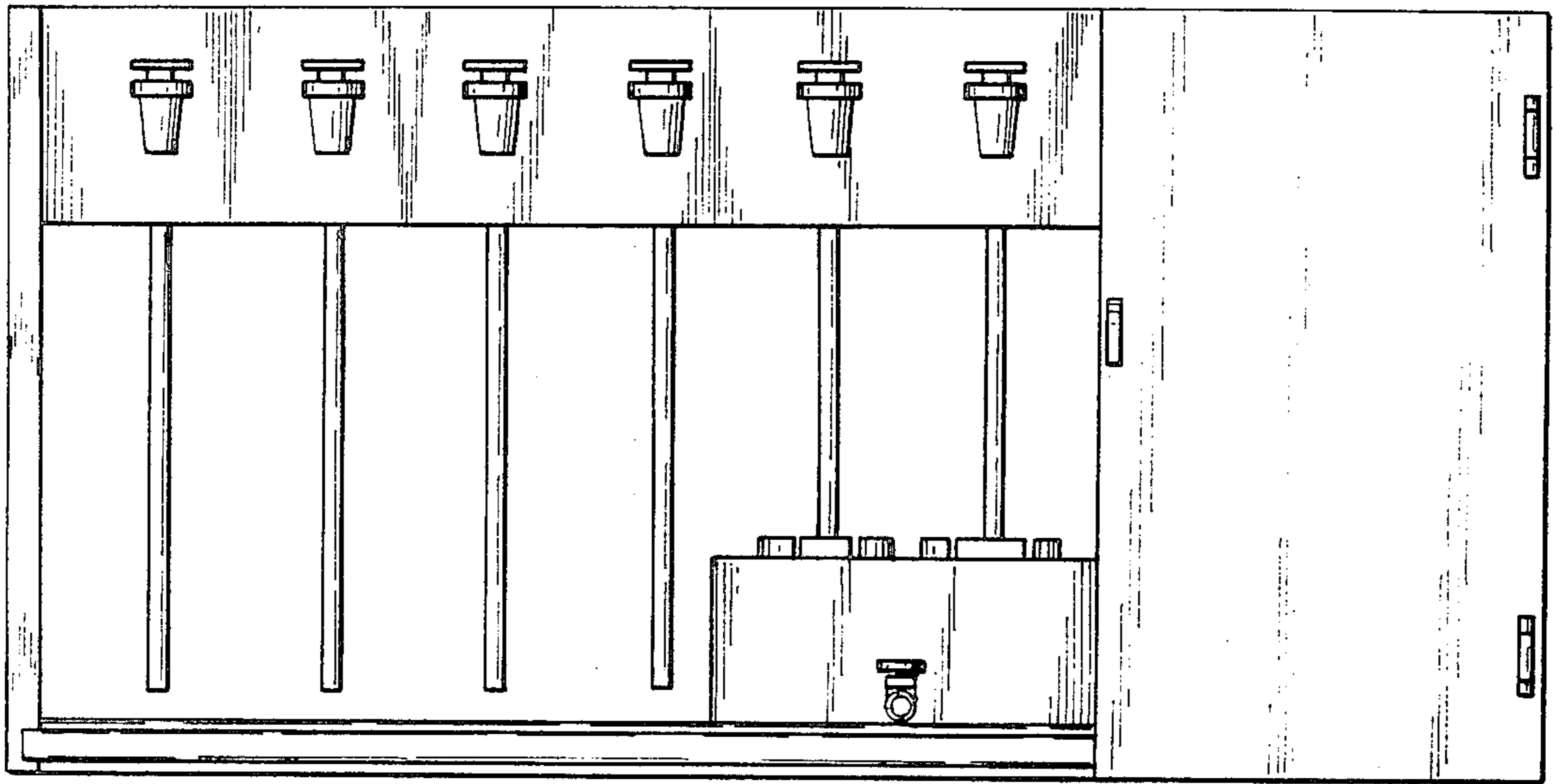


Fig. 5

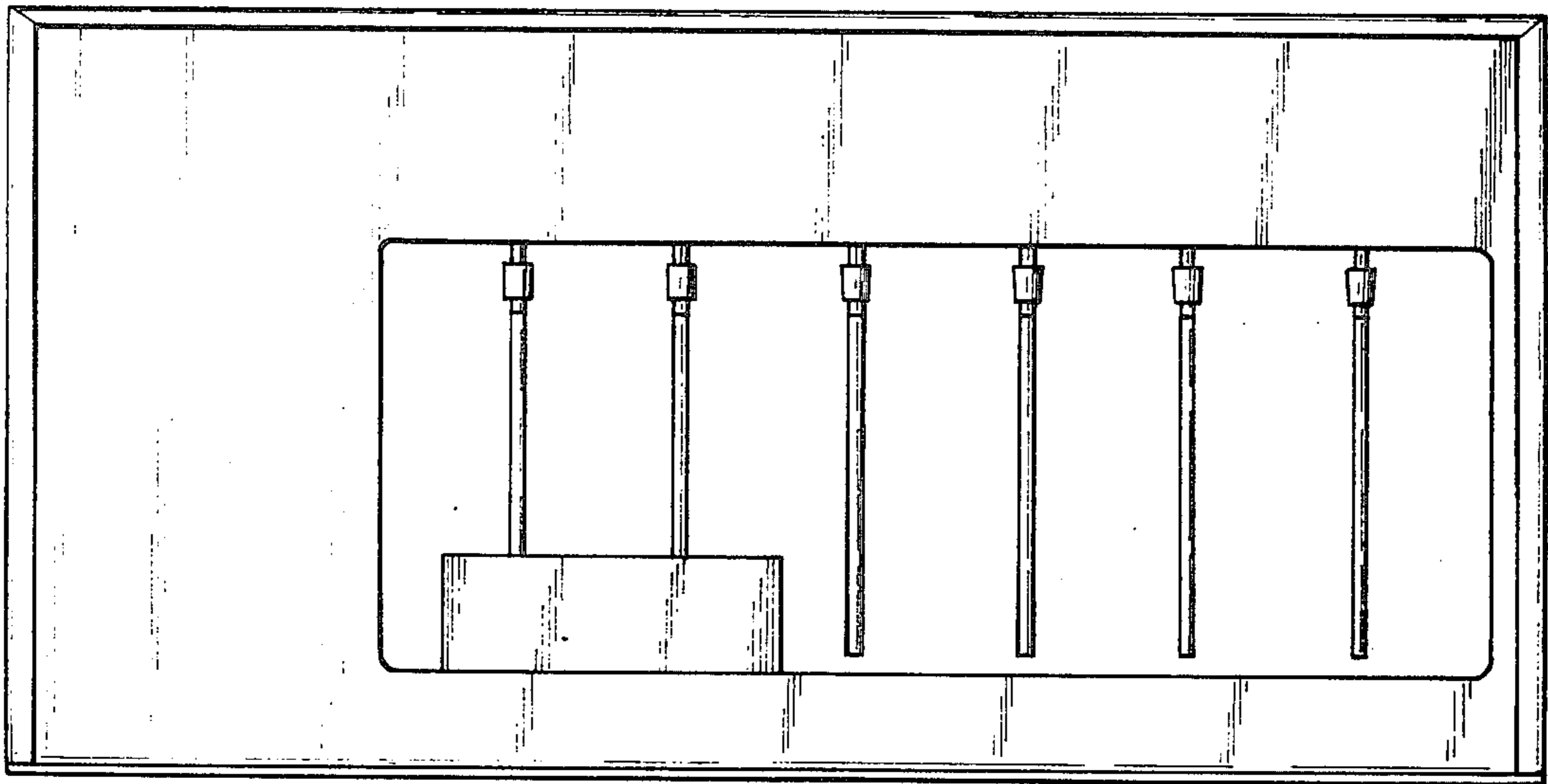


Fig. 6