

[54] DUAL SURFACE SUPPORT STAND FOR AN OFFICE TERMINAL AND KEYBOARD

[75] Inventor: William I. Stephens, East Greenville, Pa.

[73] Assignee: Knoll International, Inc., New York, N.Y.

[**] Term: 14 Years

[21] Appl. No.: 386,996

[22] Filed: Jun. 10, 1982

[52] U.S. Cl. D6/477; D6/478; D6/486

[58] Field of Search D6/20, 26, 27, 177, D6/178, 179

[56] References Cited

U.S. PATENT DOCUMENTS

D. 266,722 11/1982 Stephens D6/196

OTHER PUBLICATIONS

United Electronic Support by Haworth, 1981, SB-7-8-1081.

Facit Data Terminal Solution.

Facit CRT Terminal With Pneumatic Height Control. Interiors, Jan. 1981, p. 117, Terminal Table By Facit.

Primary Examiner—Bruce W. Dunkins
Attorney, Agent, or Firm—Robert Scobey

[57] CLAIM

The ornamental design for a dual surface support stand for an office terminal and keyboard, as shown and described.

DESCRIPTION

FIG. 1 is a perspective view of a dual surface support stand for an office terminal and keyboard showing my design;

FIG. 2 is a second embodiment thereof;

FIG. 3 is a fragmentary view showing the undersurface in perspective;

FIG. 4 is a second fragmentary view of the undersurface on an enlarged scale whereby to show features of the article in greater detail;

FIG. 5 is a right side perspective view of the second embodiment; and

FIG. 6 is a left side elevational view thereof.

The keyboard and terminal shown in dotted lines in FIG. 2 are for illustrative purposes only.

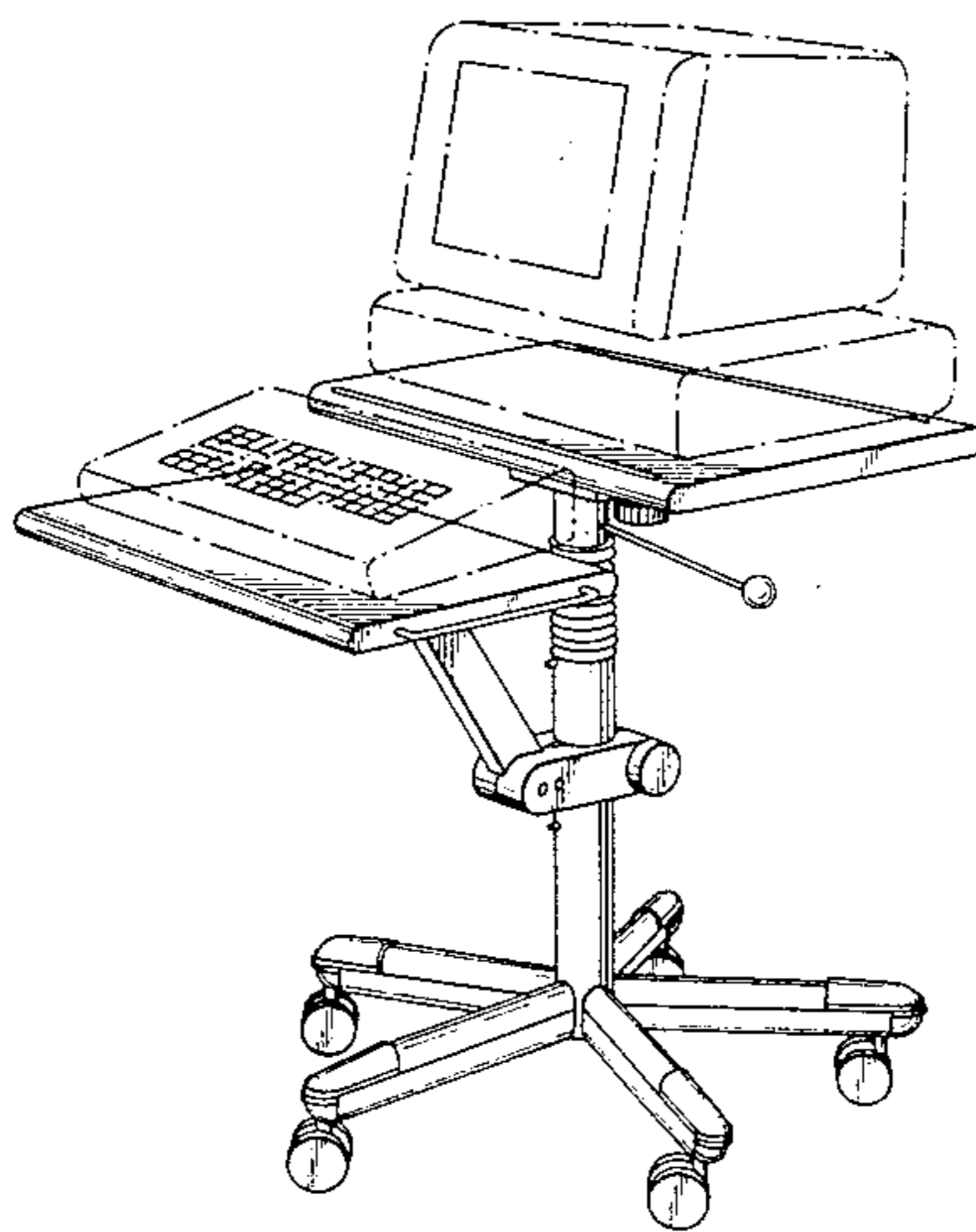


FIG. 1.



FIG. 2.

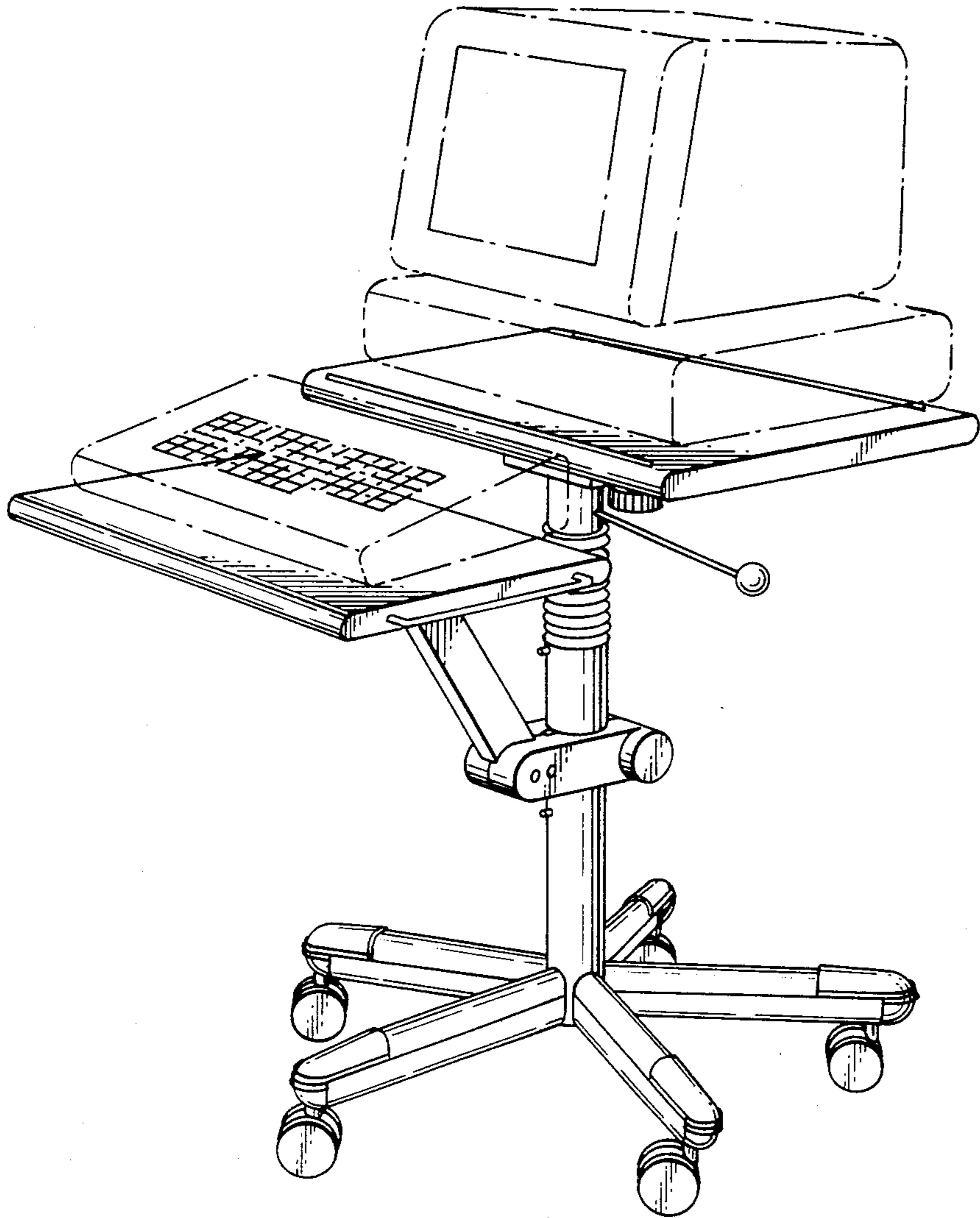


FIG. 3.

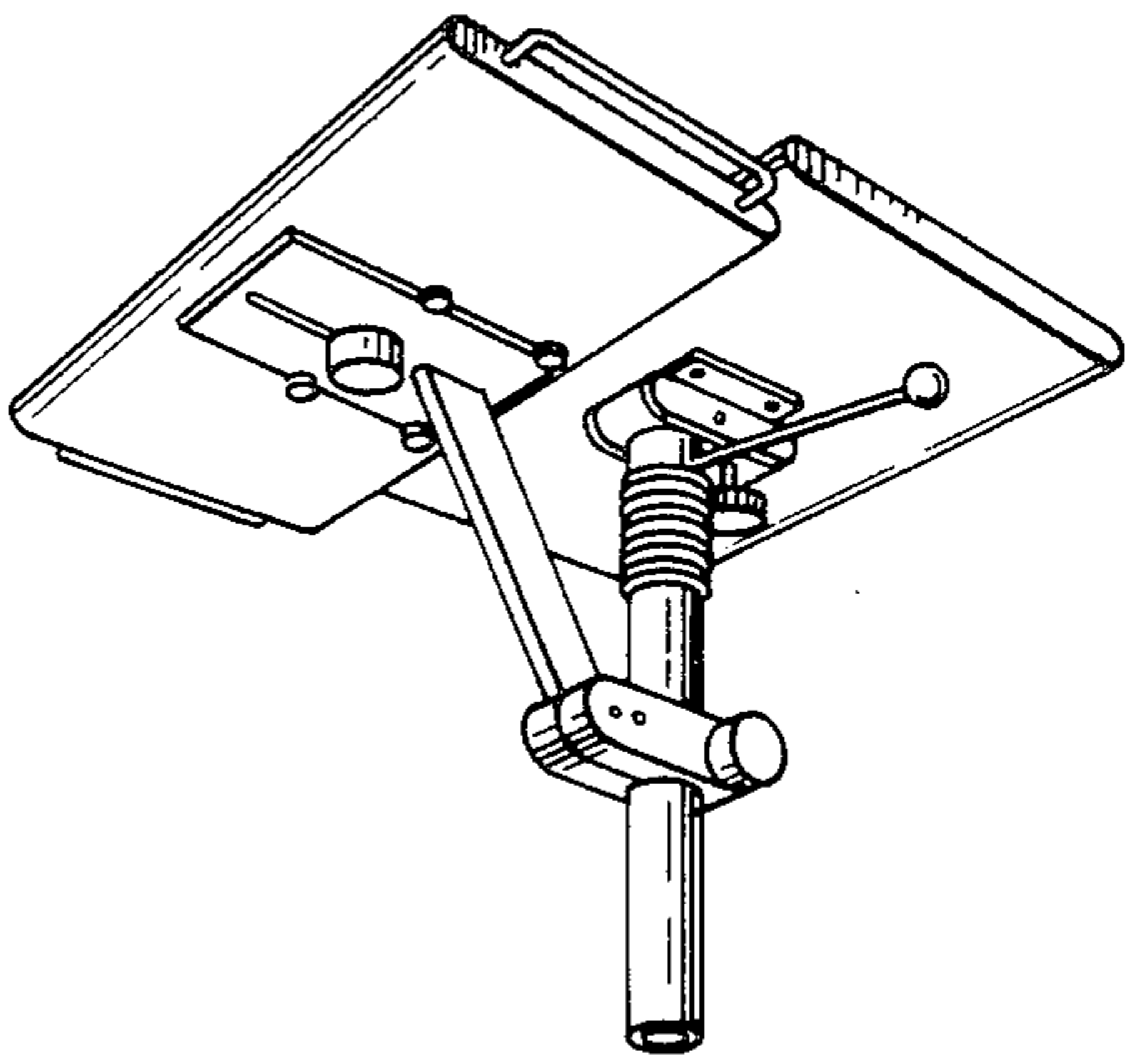


FIG. 4.

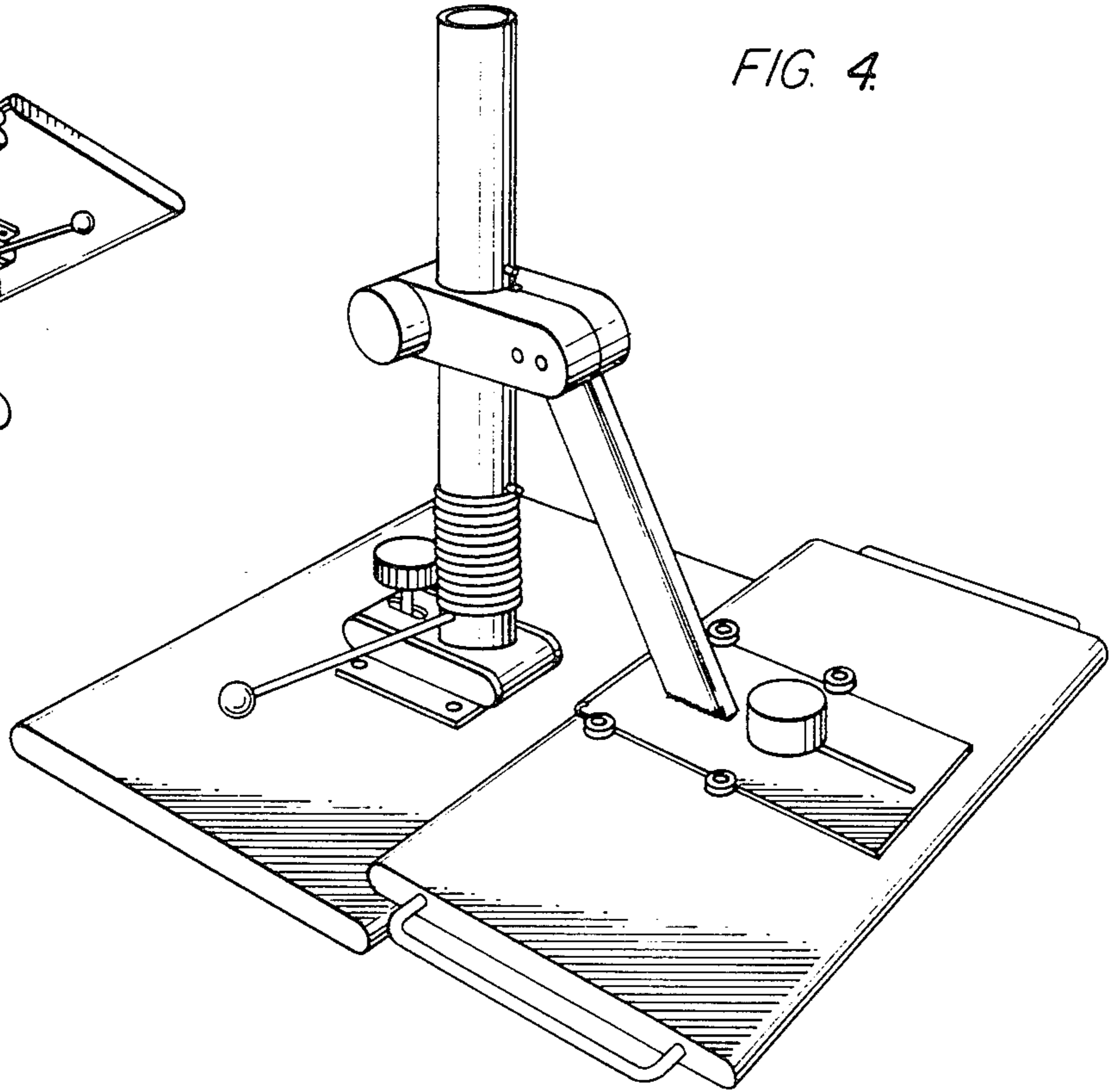


FIG. 5.

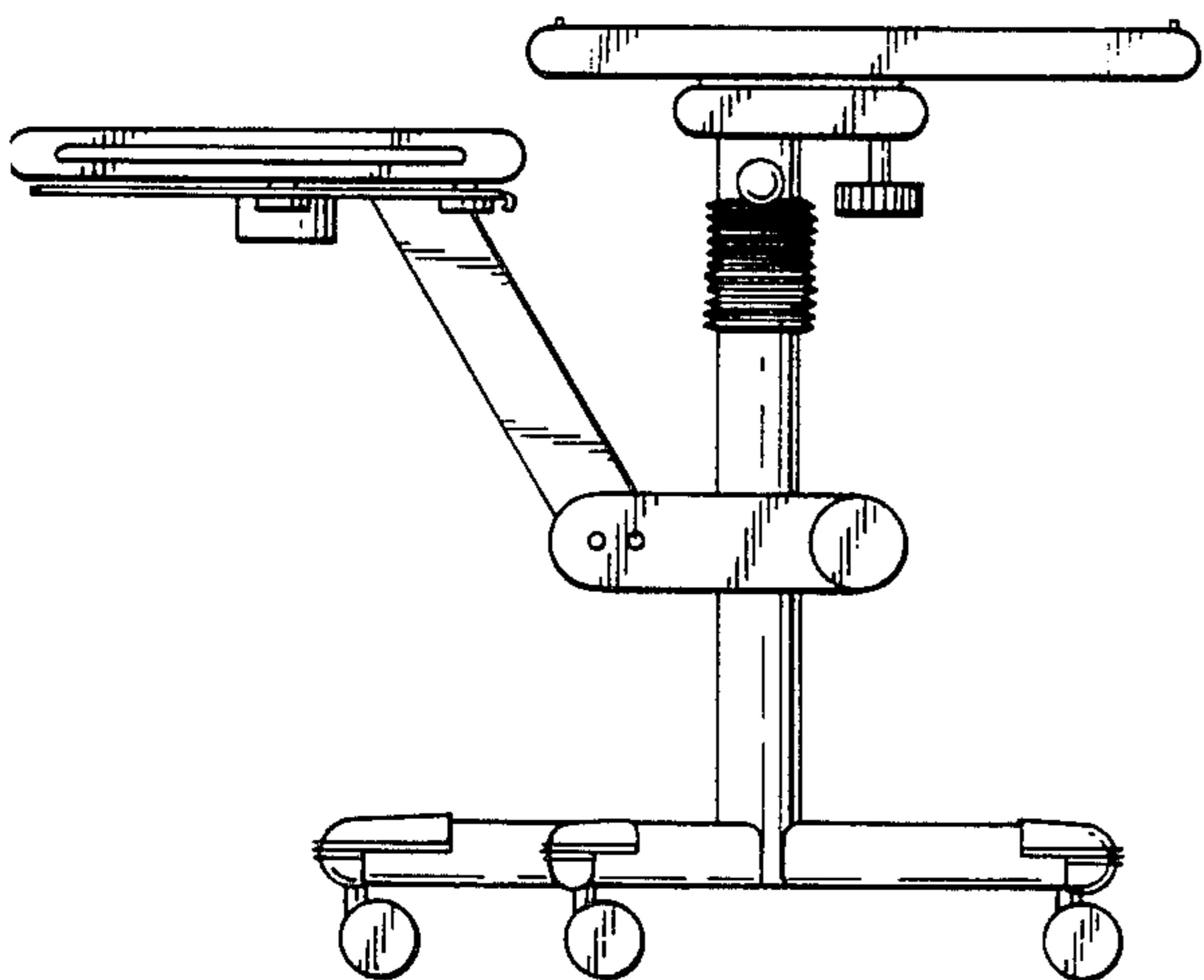


FIG. 6.

