

[54] CARD DISPLAY HOLDER

[76] Inventor: John Petrick, V, 7702 Daytona Dr.,
Parma, Ohio 44134

[**] Term: 14 Years

[21] Appl. No.: 528,412

[22] Filed: Sep. 1, 1983

[52] U.S. Cl. D6/472; D3/35;
D19/76

[58] Field of Search D6/449, 470, 429, 471,
D6/472; D3/35; D9/418, 420; D19/76;
312/114, 138 R, 284; 206/45.31, 45.14, 45.15,
45, 34

[56] References Cited

U.S. PATENT DOCUMENTS

- D. 192,400 3/1962 Leep, Jr. D6/472
- D. 234,276 2/1975 Ferguson D6/471

- D. 267,911 2/1983 Long et al. D3/35
- 1,361,451 12/1920 Flannery, Jr. 312/138 R
- 2,702,116 2/1955 Shnitzler et al. 206/45.34 X
- 3,809,216 5/1974 Ferguson 206/45.34

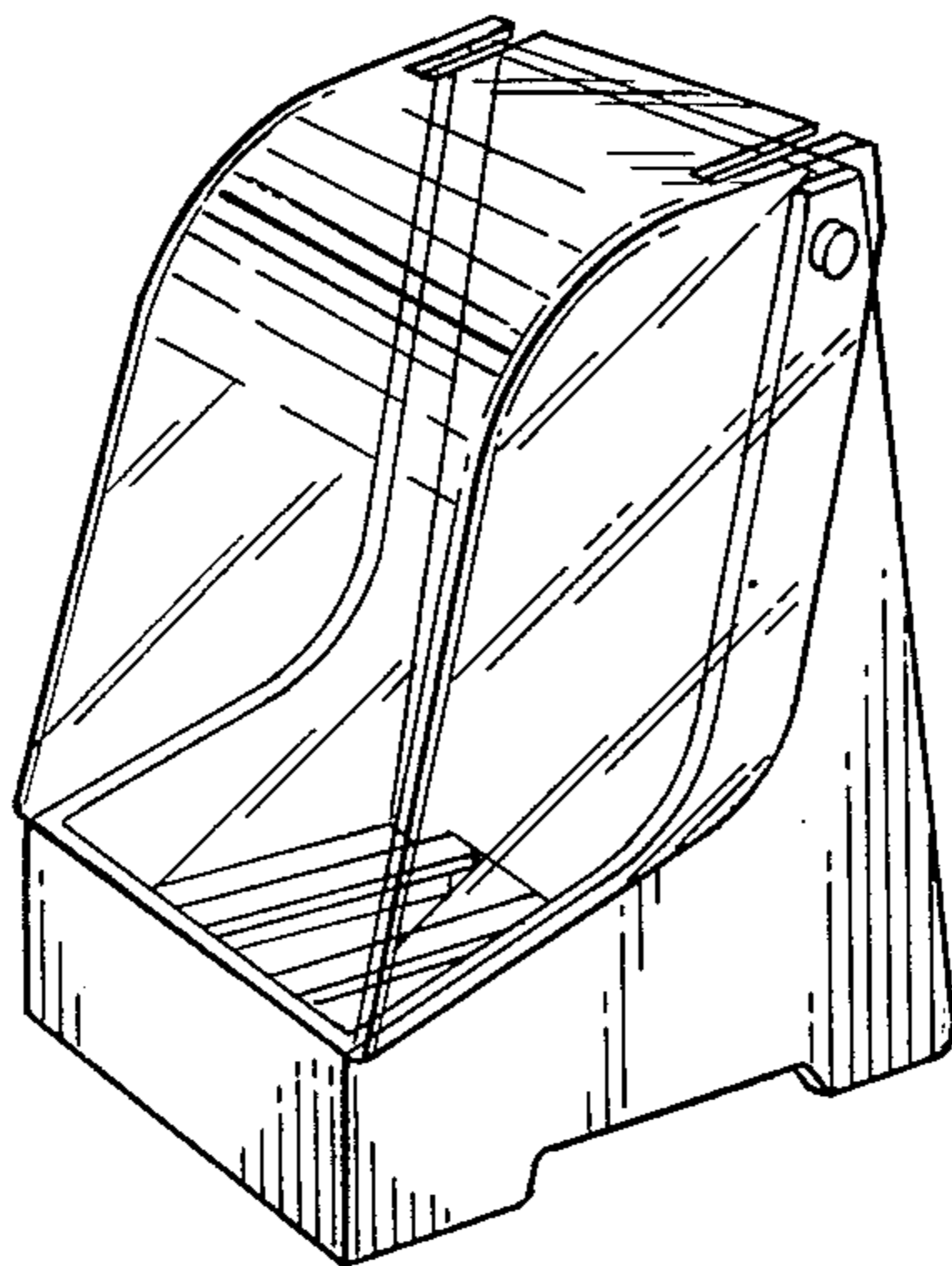
Primary Examiner—Carmen H. Vales
Attorney, Agent, or Firm—John M. Romanchik, Jr.

[57] CLAIM

The ornamental design for a card display holder, sub-
stantially as shown and described.

DESCRIPTION

FIG. 1 is a perspective view of a card display holder showing my new design;
 FIG. 2 is a top plan view thereof;
 FIG. 3 is a front elevational view thereof;
 FIG. 4 is a right side elevational view, the left side being a mirror image thereof;
 FIG. 5 is a rear elevational view thereof; and
 FIG. 6 is a bottom plan view thereof.



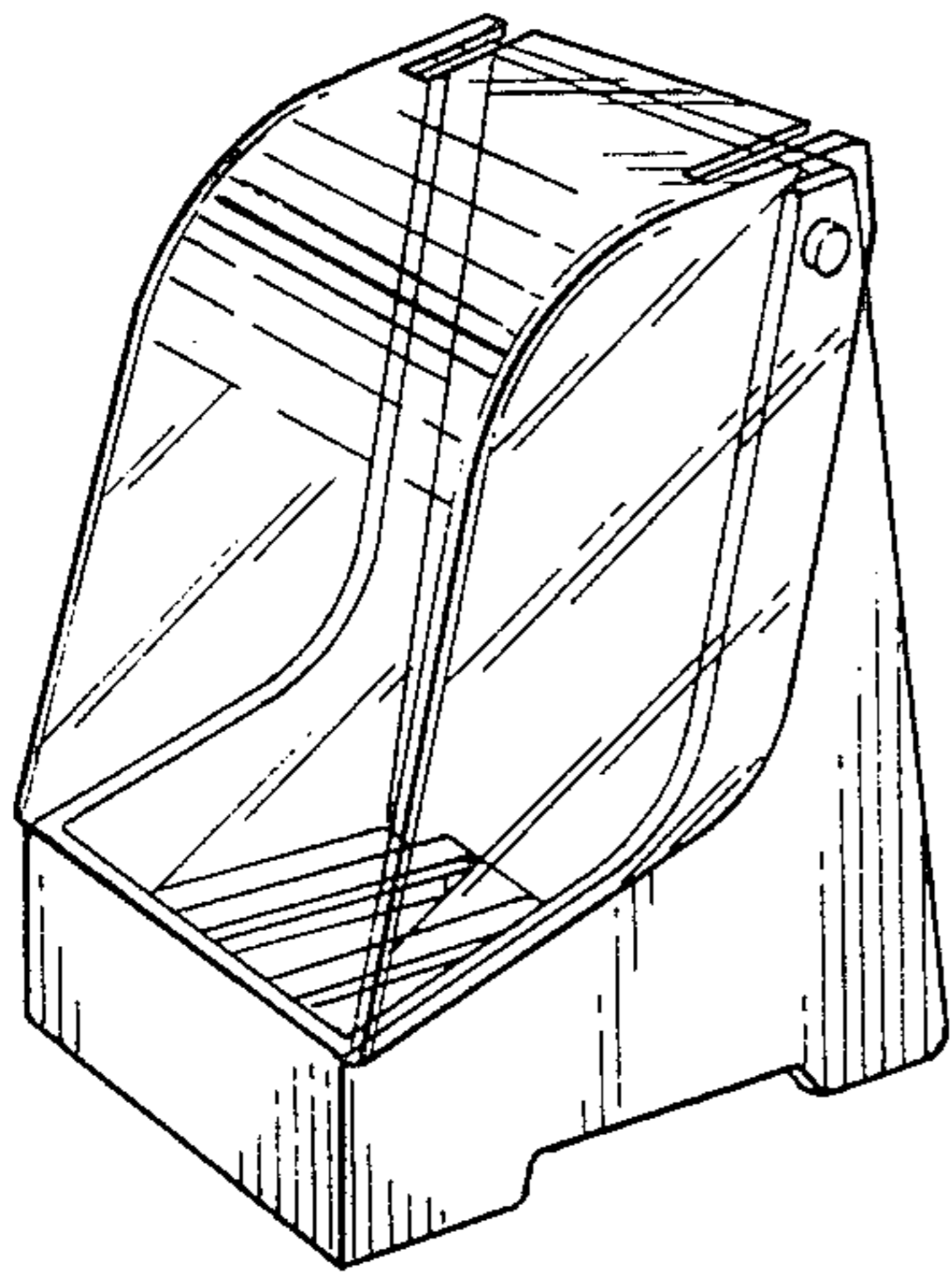


FIG. 1

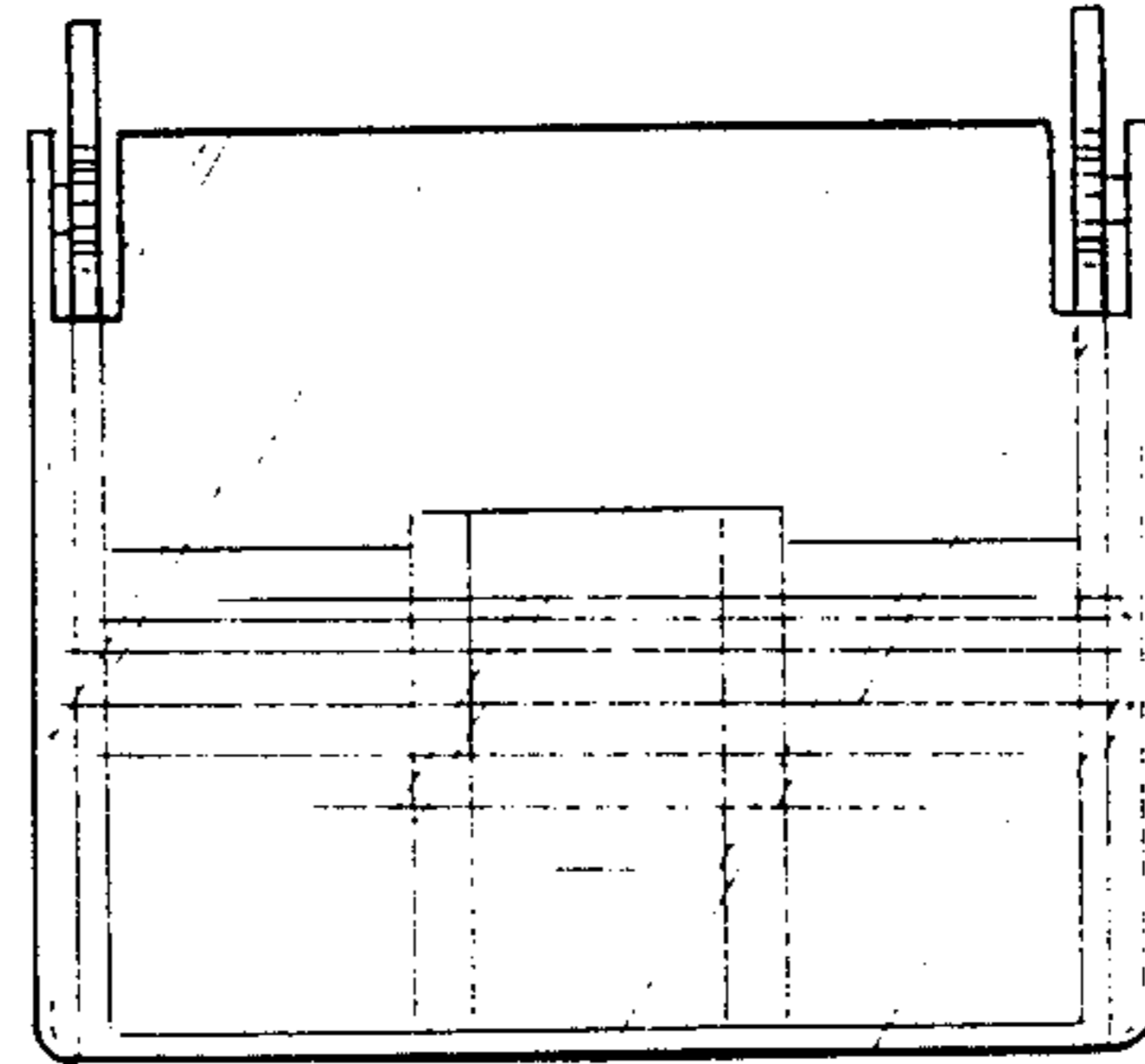


FIG. 2

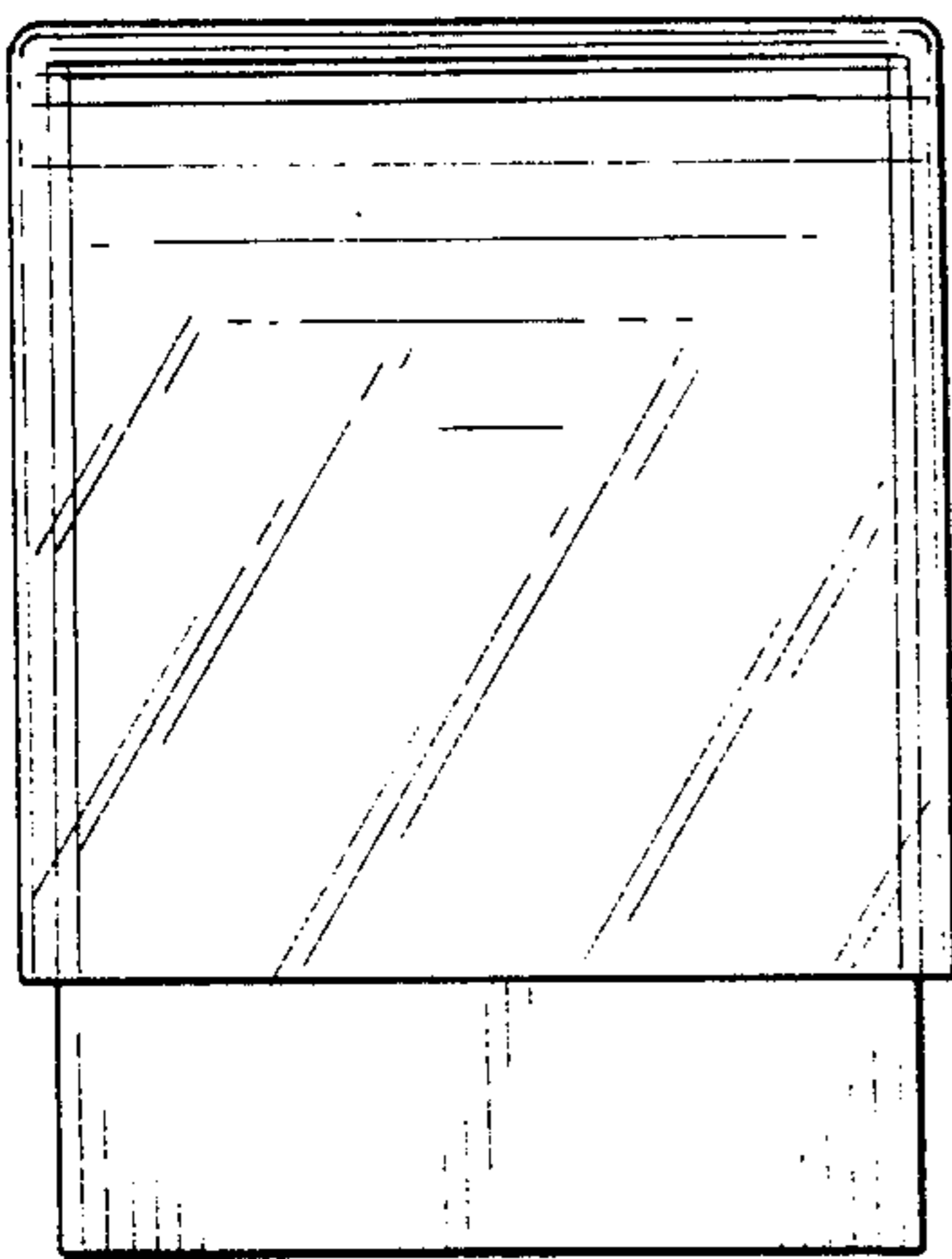


FIG. 3

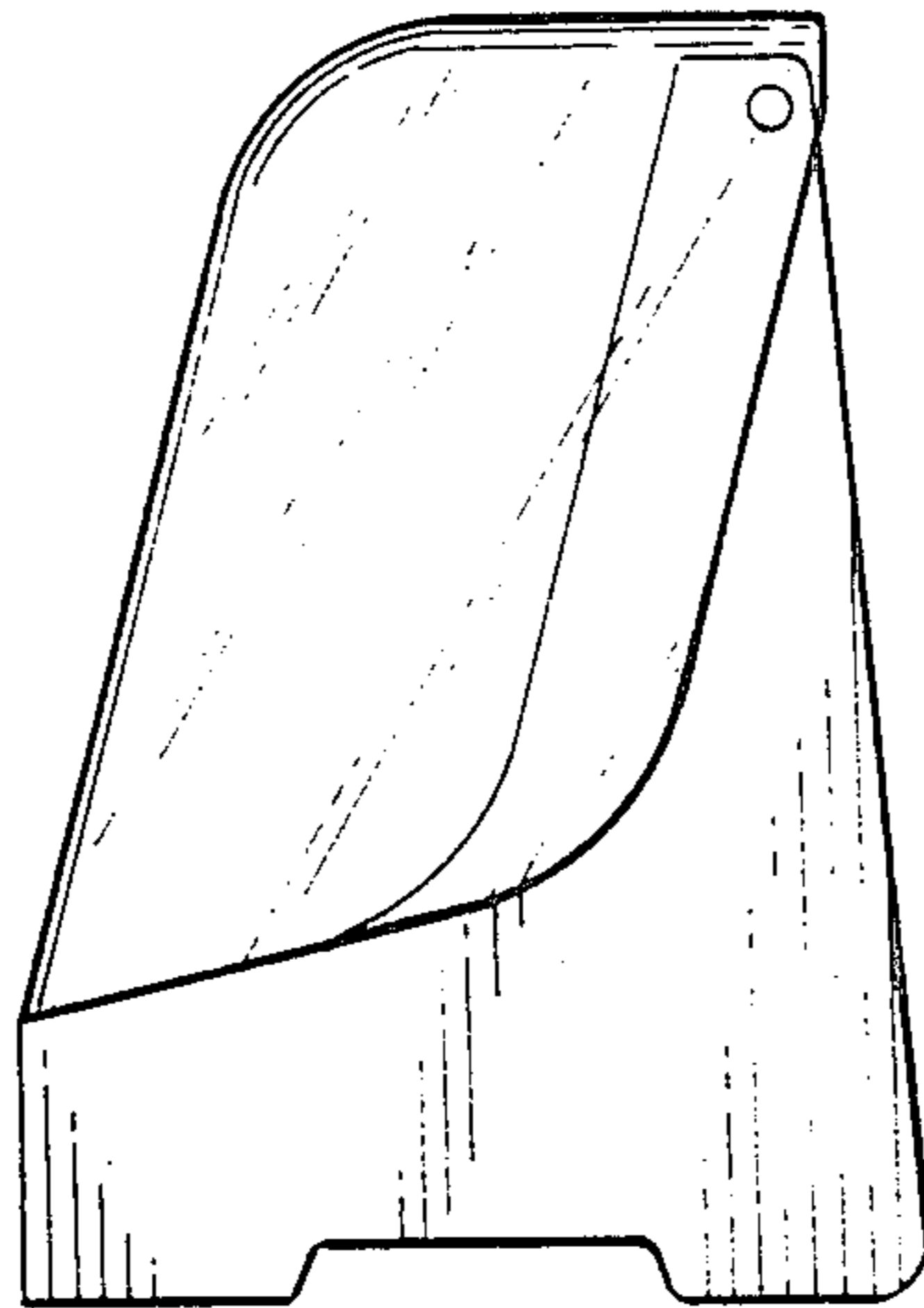


FIG. 4

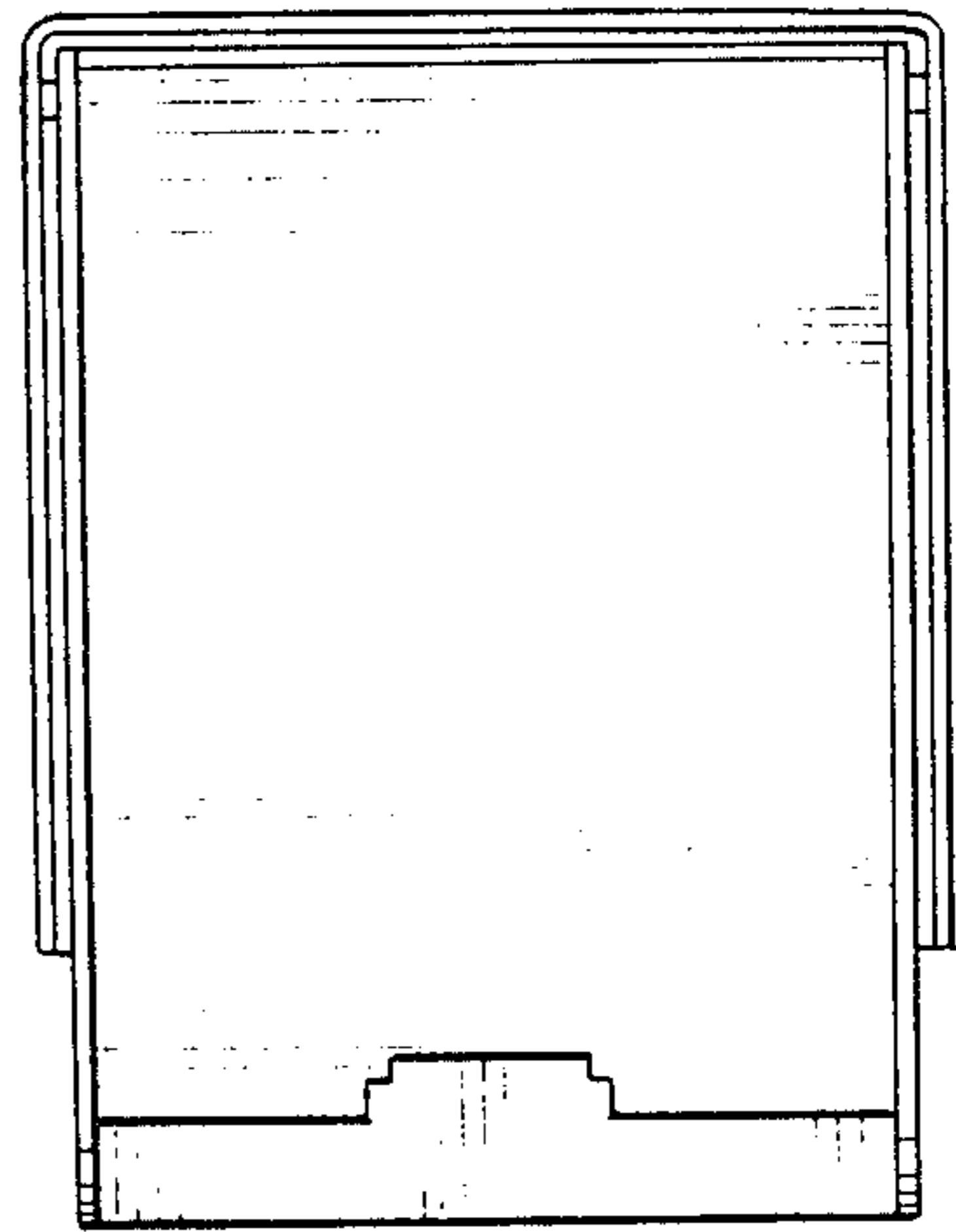


FIG. 5

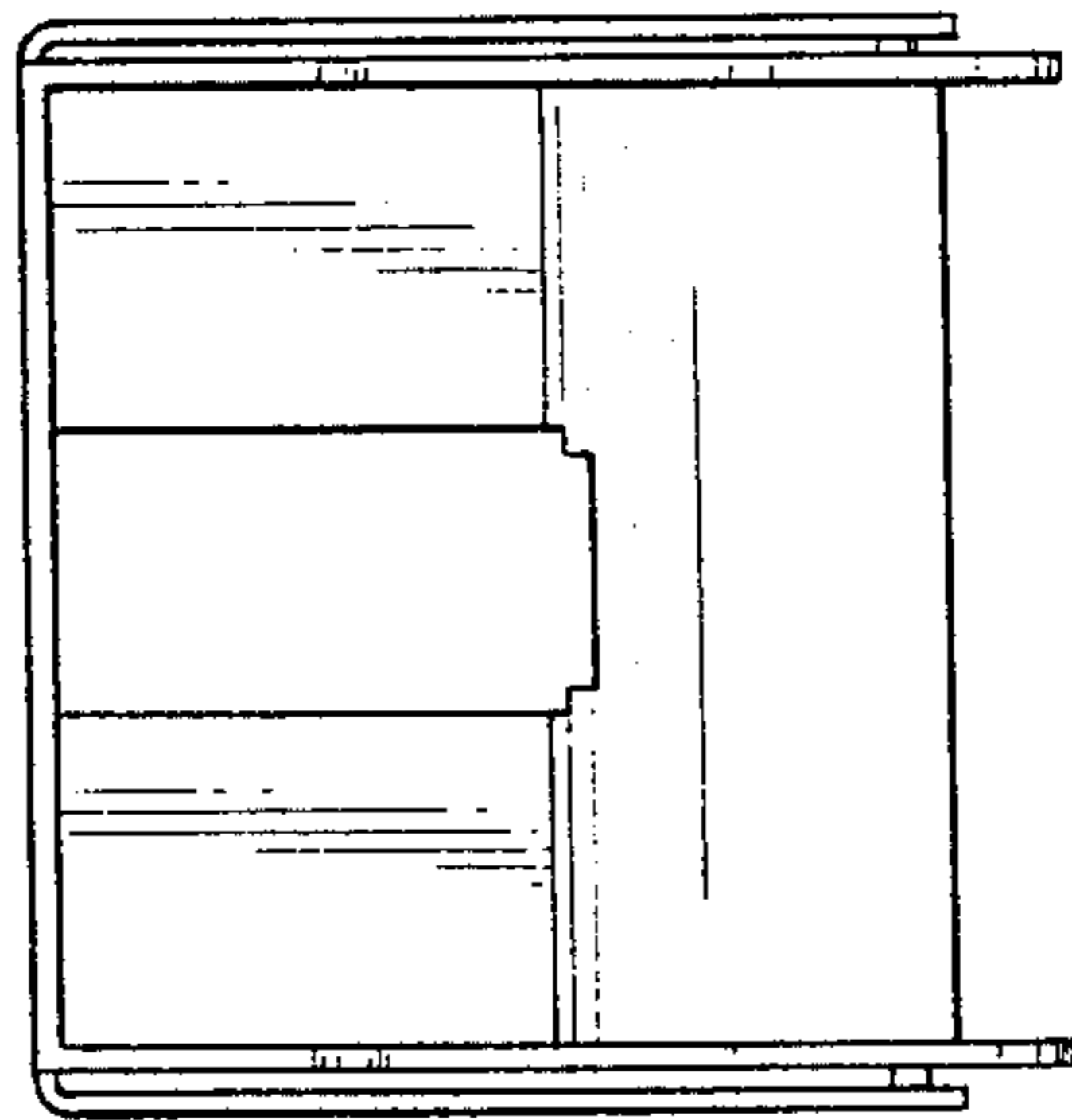


FIG. 6