

[54] WASTE BAG HOLDER

[76] Inventor: Douglas K. Gatward, 1212 Great Cambridge Rd., Enfield, Middlesex, England

[**] Term: 14 Years

[21] Appl. No.: 486,699

[22] Filed: Apr. 20, 1983

[52] U.S. Cl. D34/6; D34/11

[58] Field of Search D34/1-11; 248/97, 99; 114/390, 391; 220/337, 334; 211/87, 88; D6/555; 108/48

[56] References Cited

U.S. PATENT DOCUMENTS

D. 142,286	8/1945	Mayer	D34/5
D. 264,905	6/1982	Adamson	D34/6
D. 274,105	6/1984	Brescia et al.	D6/555
666,296	1/1901	Wiard	248/99
3,218,014	11/1965	Frazier	232/43.2

FOREIGN PATENT DOCUMENTS

1314912 12/1962 France 248/99

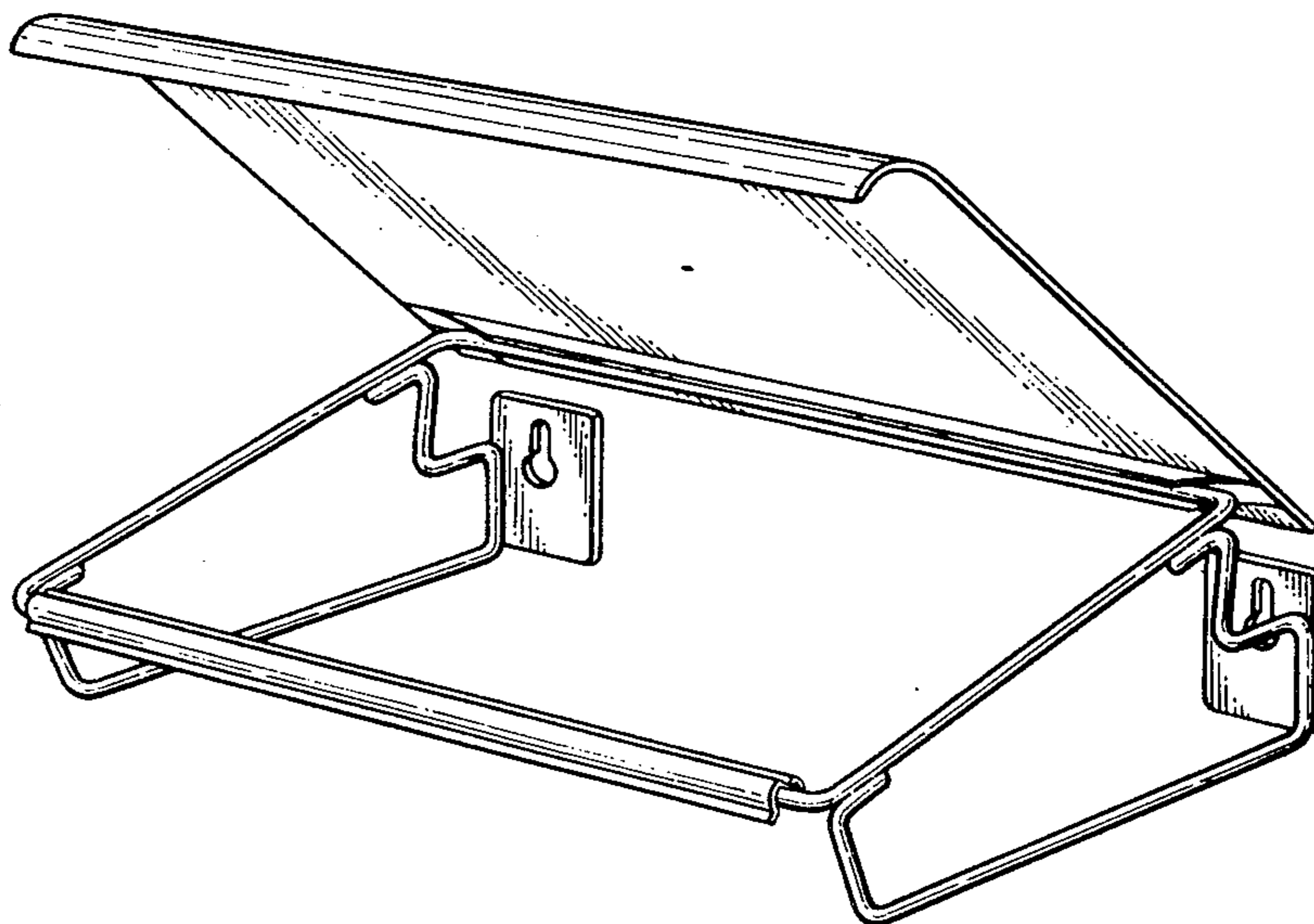
Primary Examiner—James M. Gandy
Assistant Examiner—Kay H. Chin
Attorney, Agent, or Firm—Darby & Darby

[57] CLAIM

The ornamental design for a waste bag holder, as shown and described.

DESCRIPTION

FIG. 1 is a front elevation view of a waste bag holder showing my new design;
FIG. 2 is a rear elevation view thereof;
FIG. 3 is a side elevation view thereof; the other side being a mirror image of that shown;
FIG. 4 is a top plan view thereof;
FIG. 5 is a bottom plan view thereof;
FIG. 6 is a top perspective view thereof; and
FIG. 7 is a top perspective view thereof with the lid in an open condition.



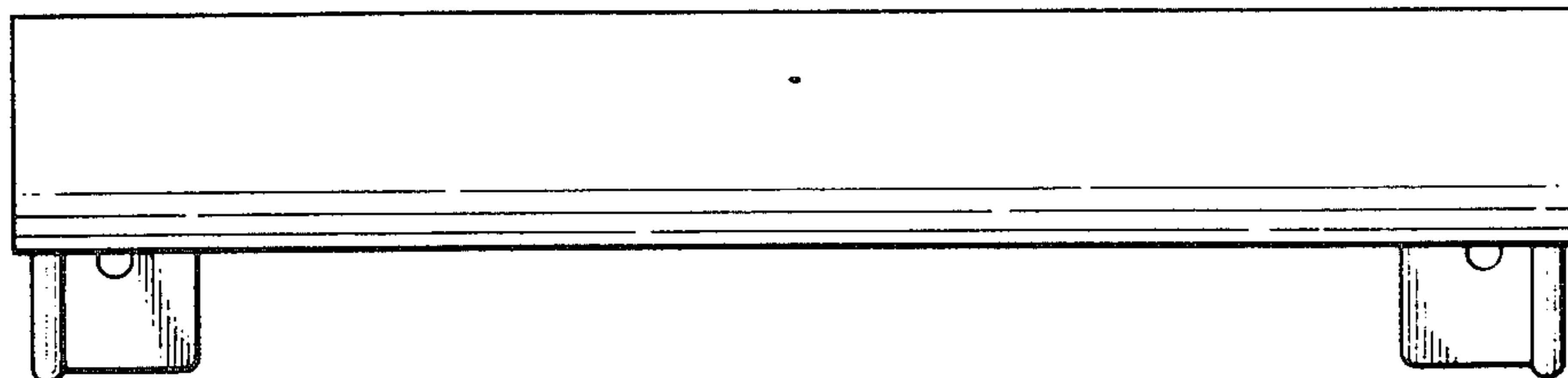


FIG. 1.

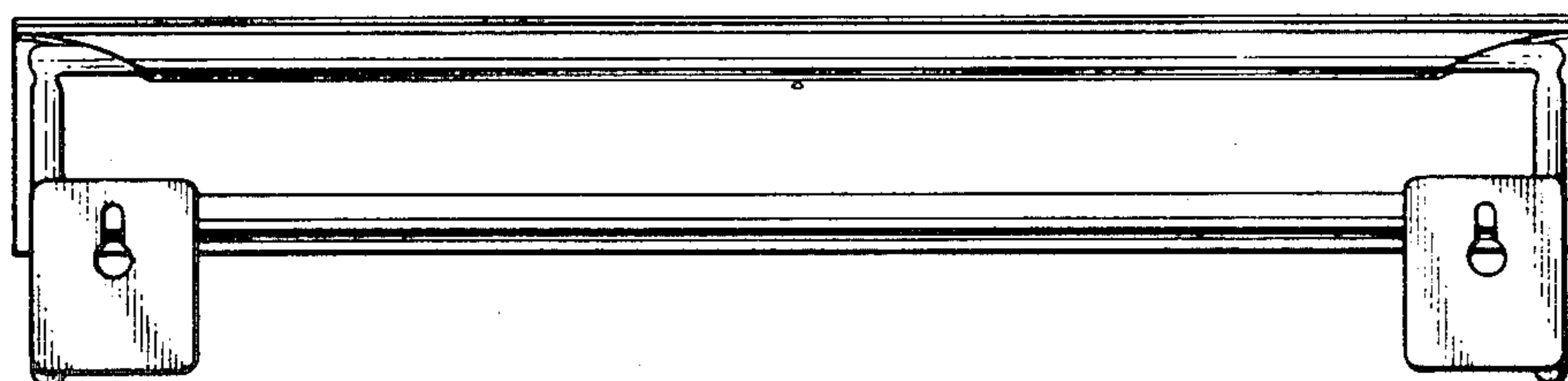


FIG. 2.

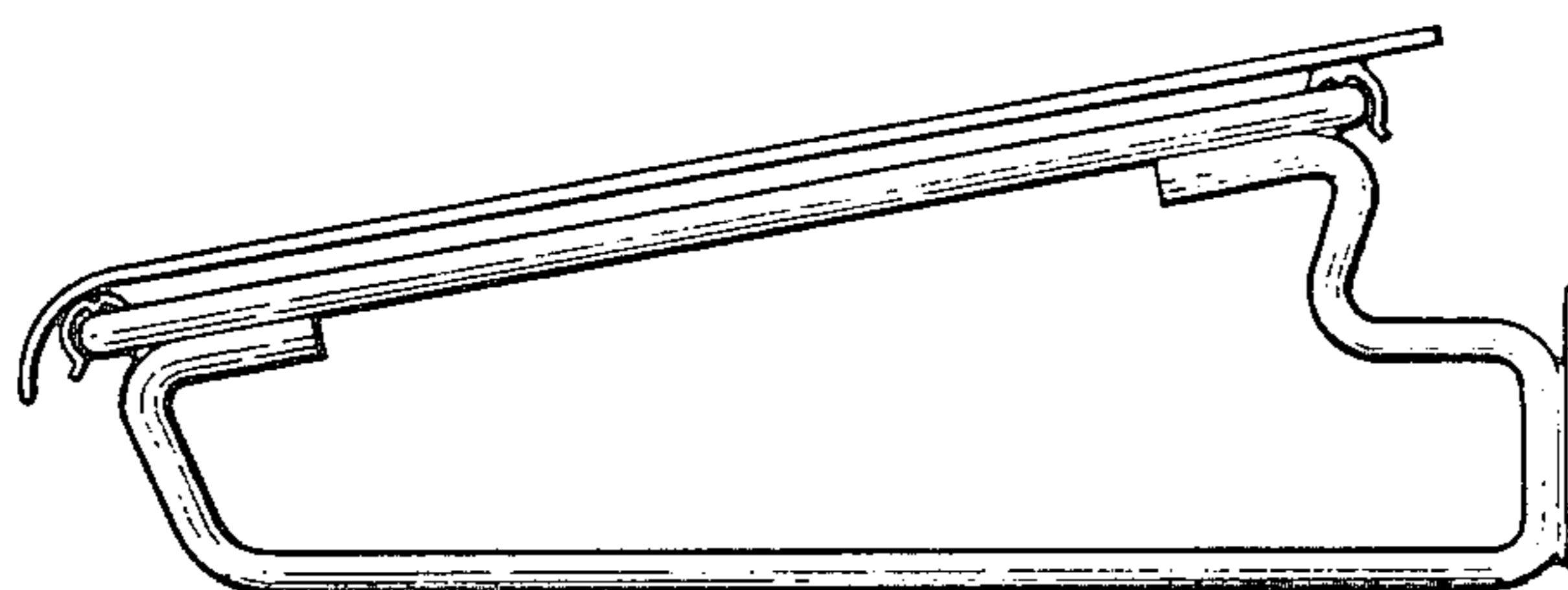


FIG 3

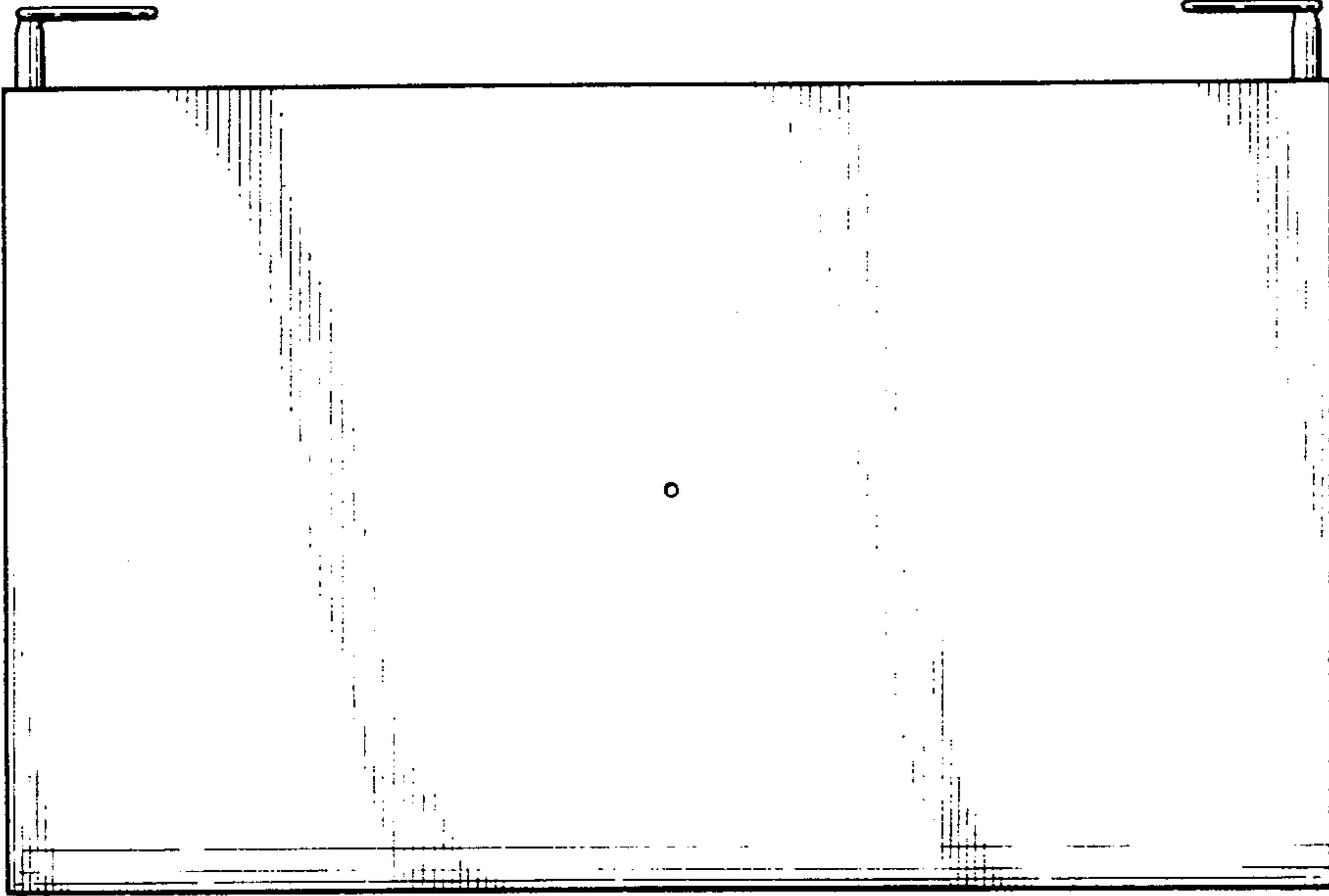


FIG. 4.

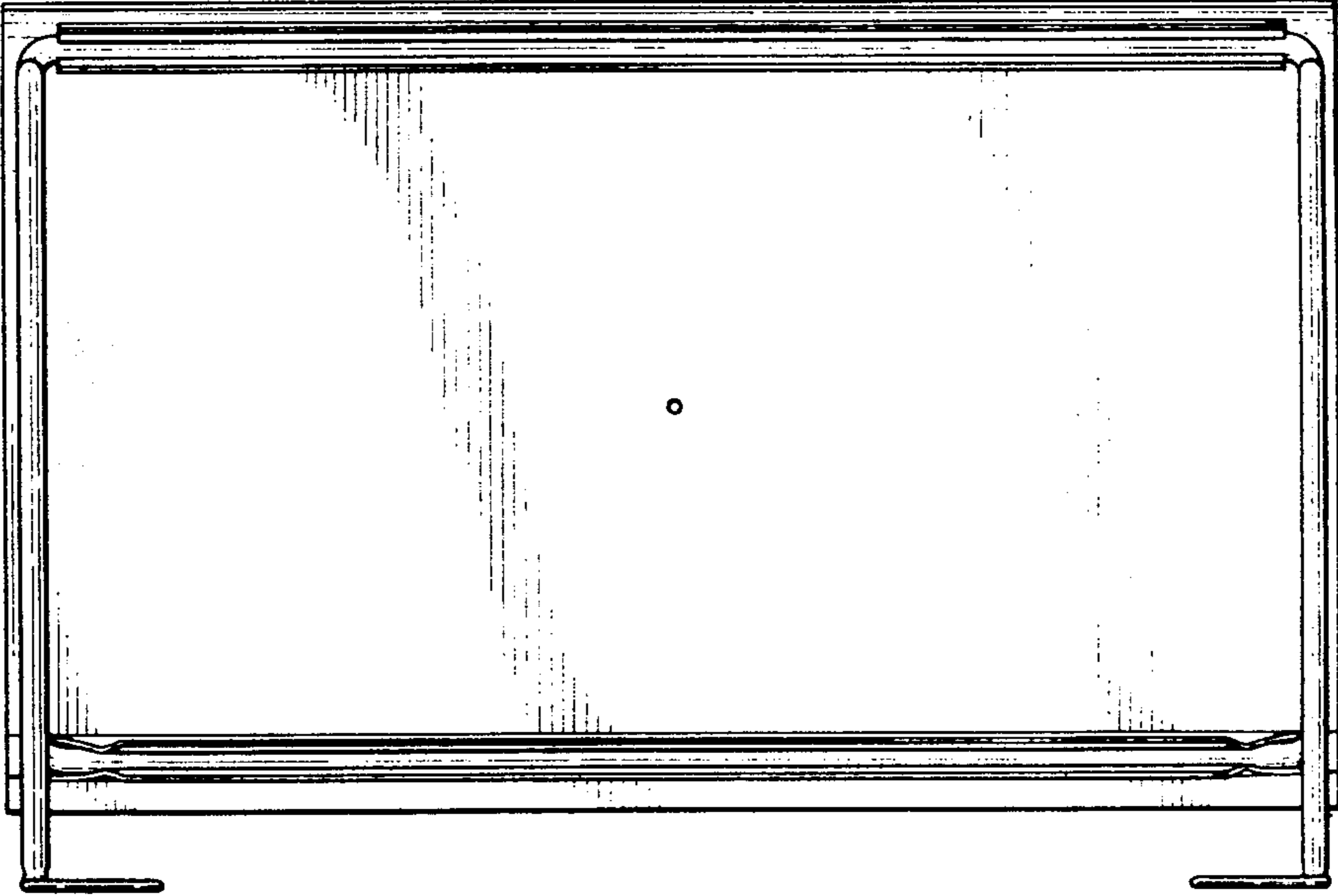


FIG. 5.

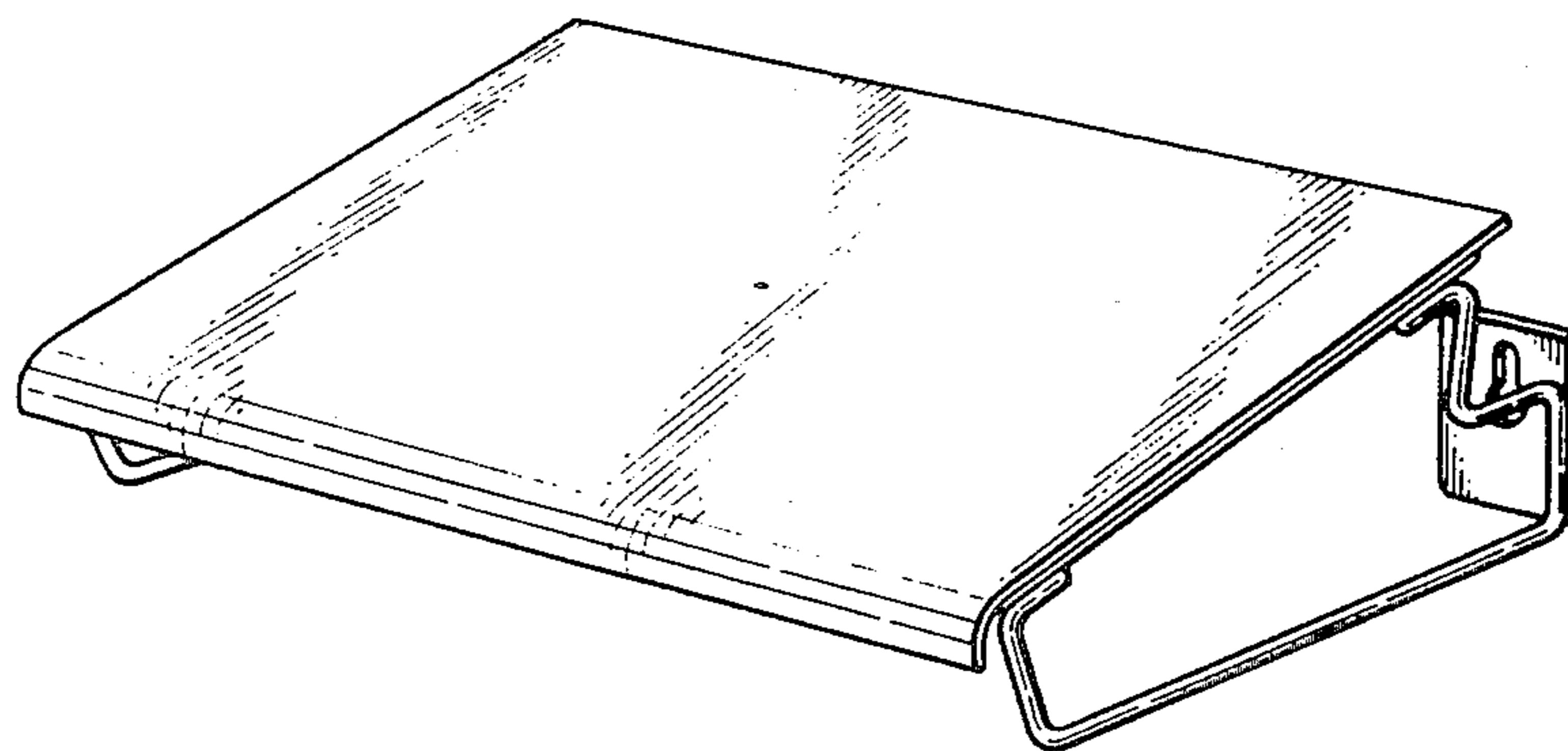


FIG. 6.

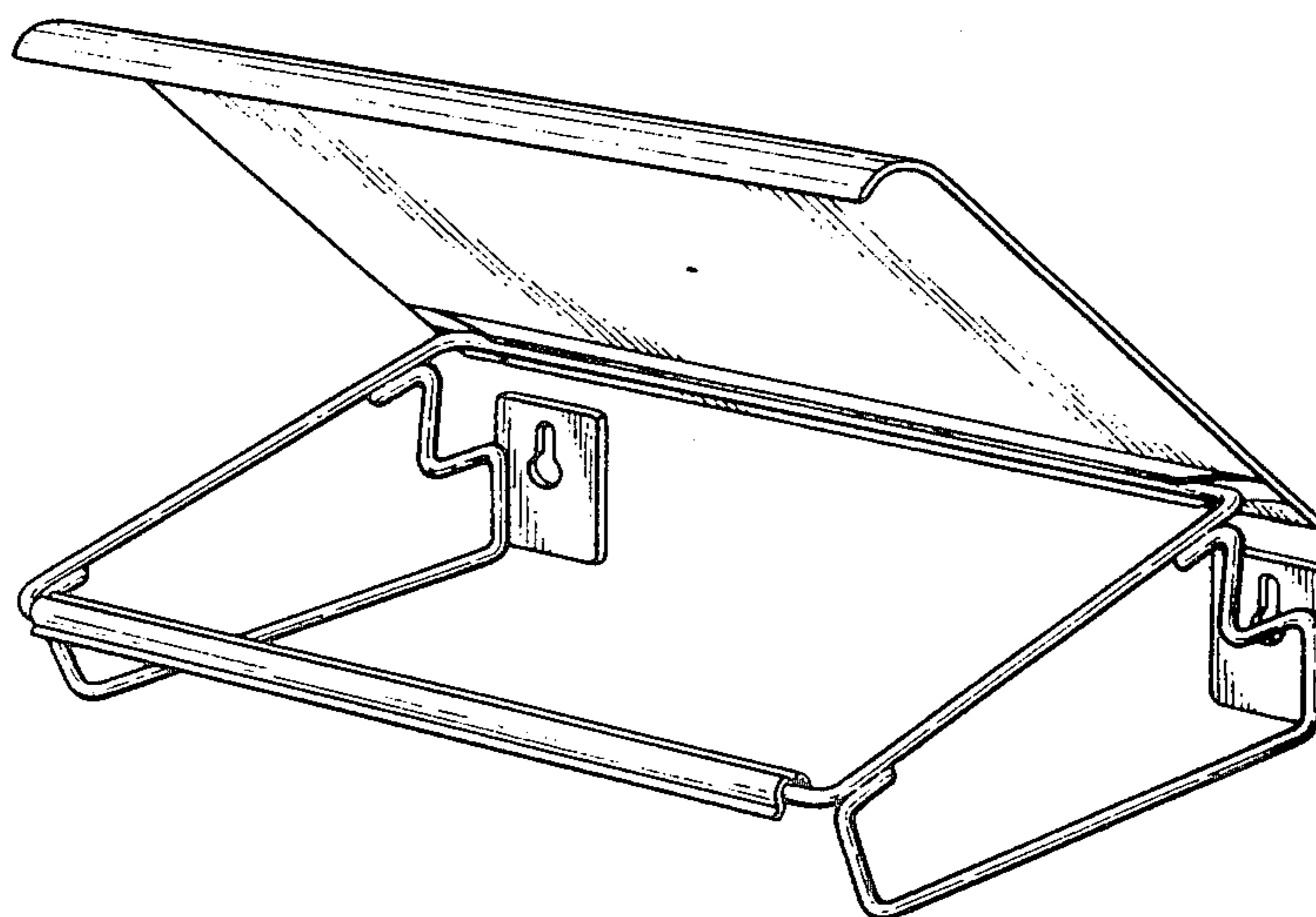


FIG. 7.