

[54] DUSTPAN

[76] Inventor: Thomas H. Malone, 803 Fitt Ct., Lorton, Va. 22079

[**] Term: 14 Years

[21] Appl. No.: 459,023

[22] Filed: Jan. 18, 1983

[52] U.S. Cl. D32/74

[58] Field of Search D32/74; 15/257.1-257.9

[56] References Cited

U.S. PATENT DOCUMENTS

497,401	5/1893	Bates	15/257.7
587,607	8/1897	Ray	15/257.7
979,784	12/1910	Morris	15/257.4
2,978,731	4/1961	Belluomini	15/257.4
3,562,840	2/1971	Meszaros	15/257.4
3,861,730	1/1975	Ringo	15/257.1 X

FOREIGN PATENT DOCUMENTS

125225	of 0000	Australia	15/257.1
1039125	10/1953	France	15/257.4
1101735	4/1955	France	15/257.4
474259	8/1969	Switzerland	15/257.2

Primary Examiner—Catherine E. Kemper
Attorney, Agent, or Firm—Henderson & Sturm

[57] CLAIM

The ornamental design for a dustpan, substantially as shown and described.

DESCRIPTION

FIG. 1 is a perspective view of a dustpan, showing my new design;
FIG. 2 is a front elevational view thereof;
FIG. 3 is a top plan view thereof;
FIG. 4 is a rear elevational view thereof;
FIG. 5 is a side elevational view thereof.

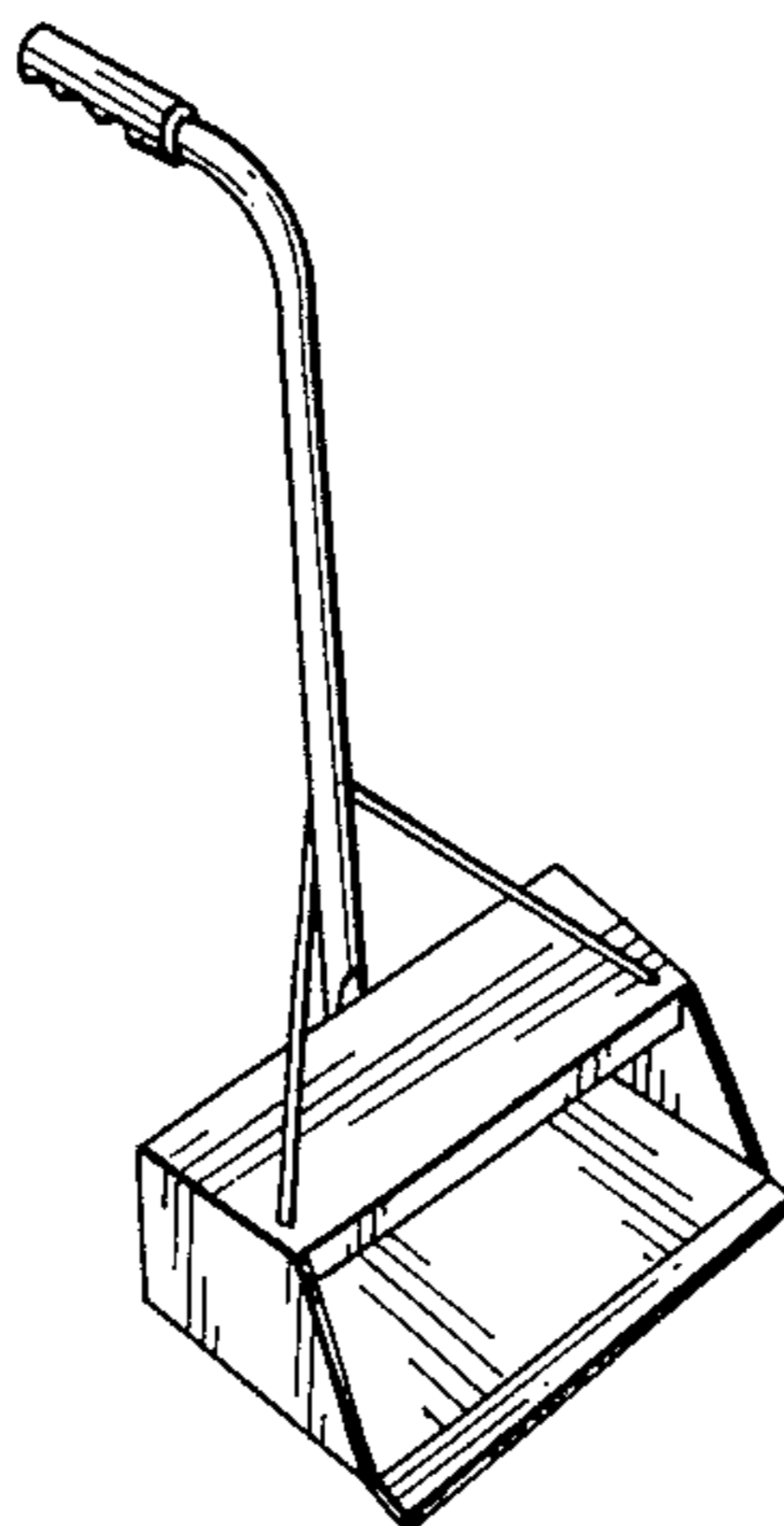


FIG. 2

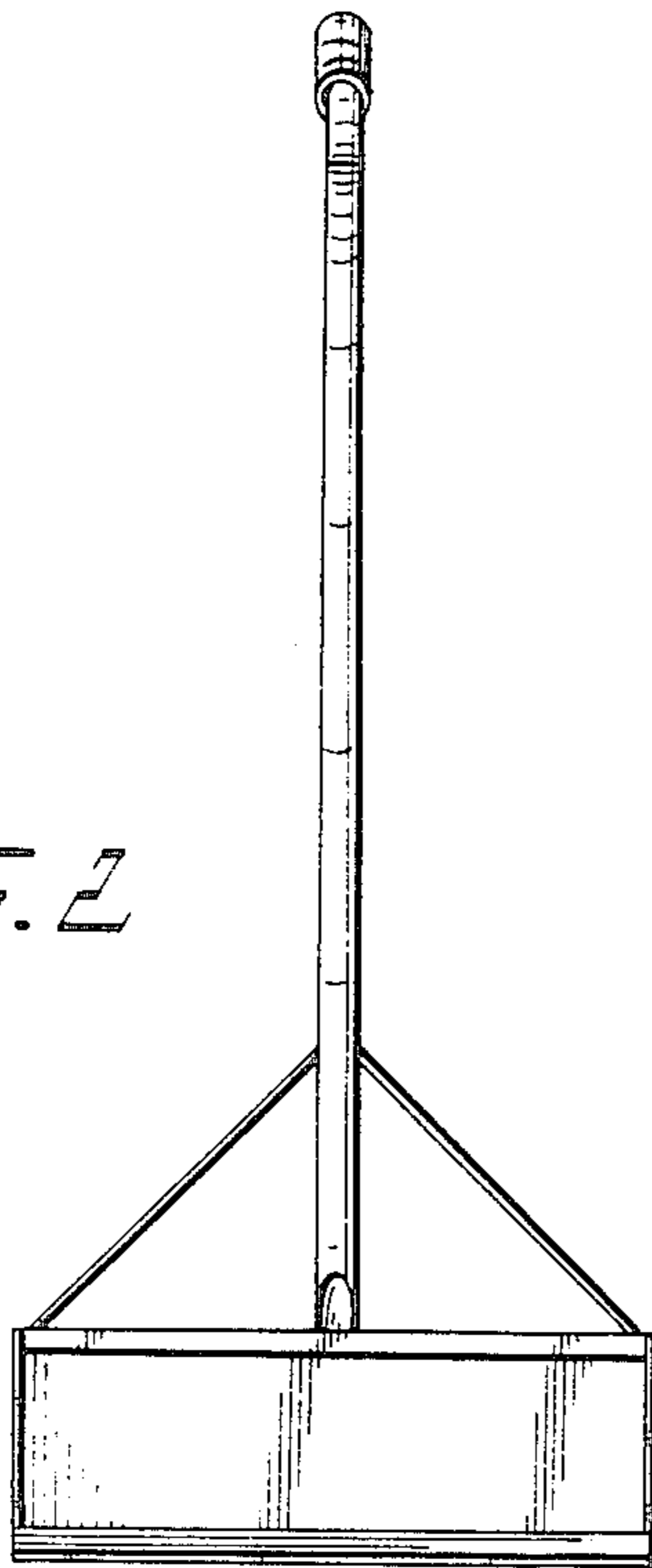


FIG. 1

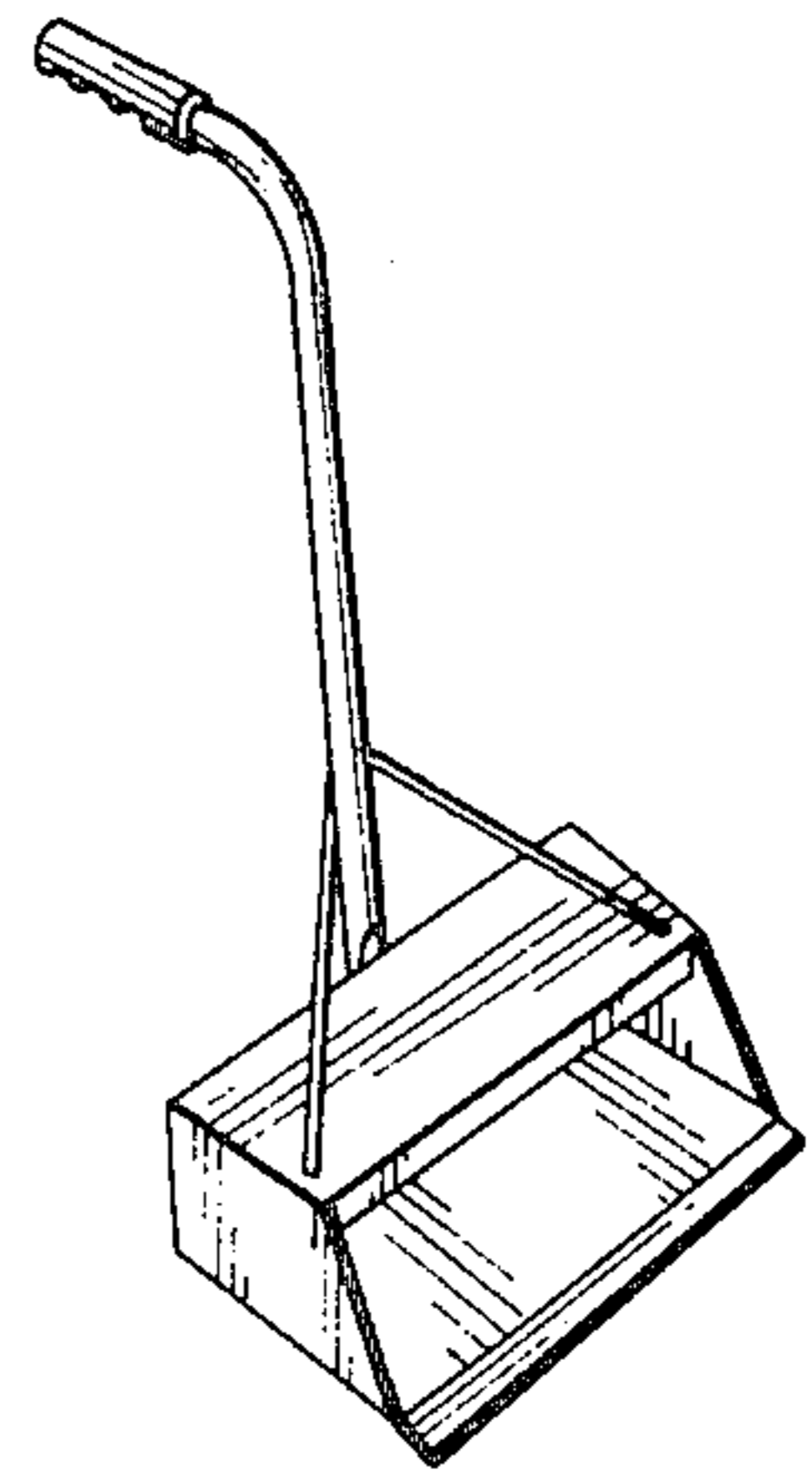


FIG. 3

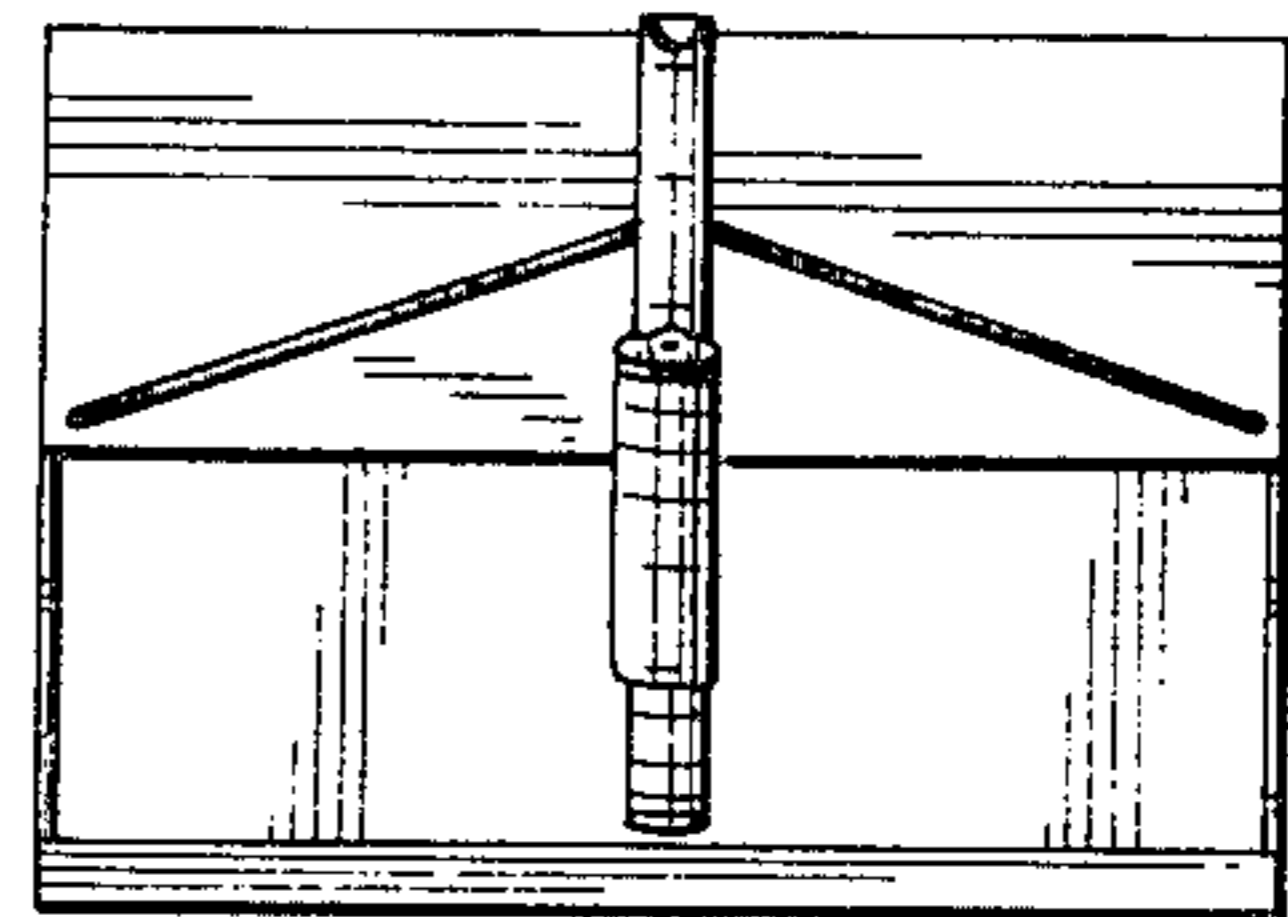


FIG. 4

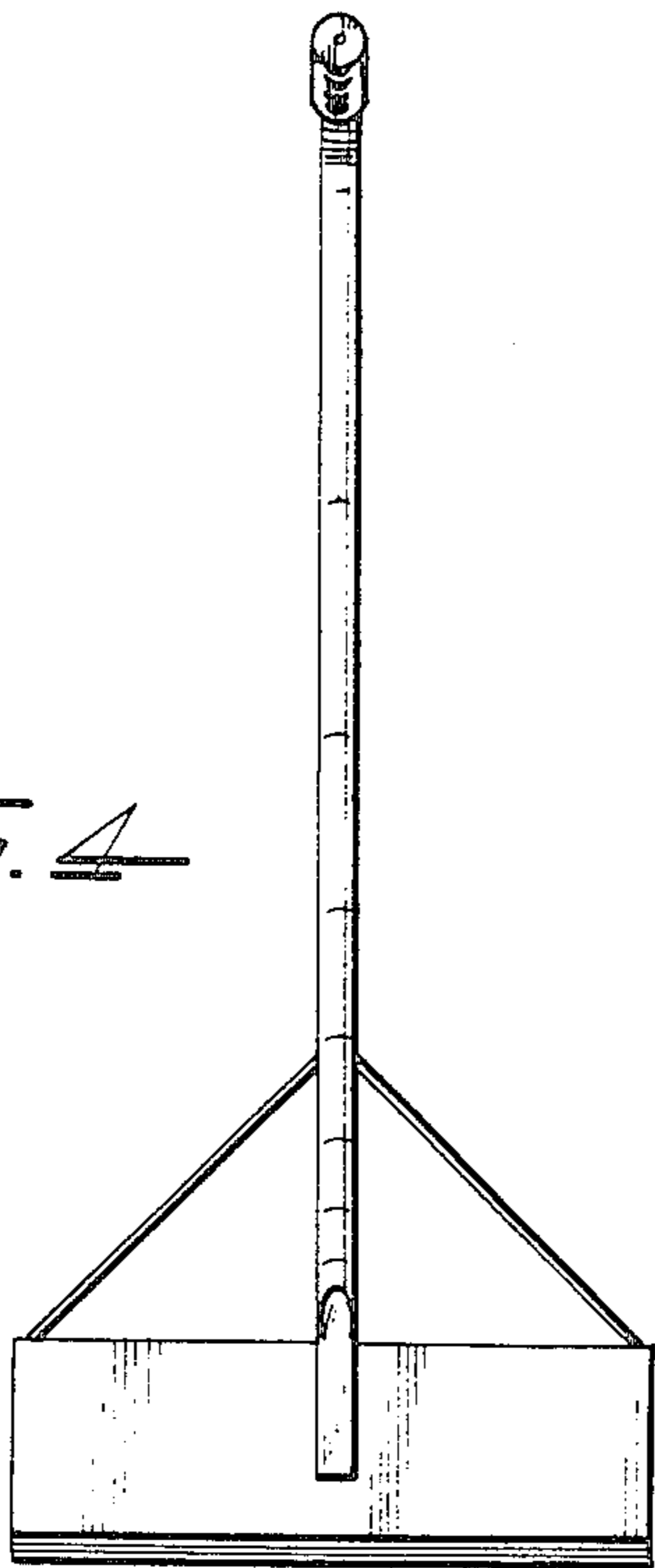


FIG. 5

