

[54] IRON HOLDER

[76] Inventor: Martin A. Negrich, 7 Edwards Rd., Portland, Conn. 06480

[**] Term: 14 Years

[21] Appl. No.: 467,093

[22] Filed: Feb. 16, 1983

[52] U.S. Cl. D32/73

[58] Field of Search 248/117.1-117.7; D32/73; 38/96, 107

3,477,672	11/1969	Agrusa	248/117.2	X
3,550,888	12/1970	Lehrman	248/117.2	
3,739,507	6/1973	Bilbao	248/117.2	X
3,967,802	7/1976	Lomagno	248/117.4	

Primary Examiner—Catherine E. Kemper
Attorney, Agent, or Firm—McCormick, Paulding & Huber

[57] CLAIM

The ornamental design for an iron holder, as shown and described.

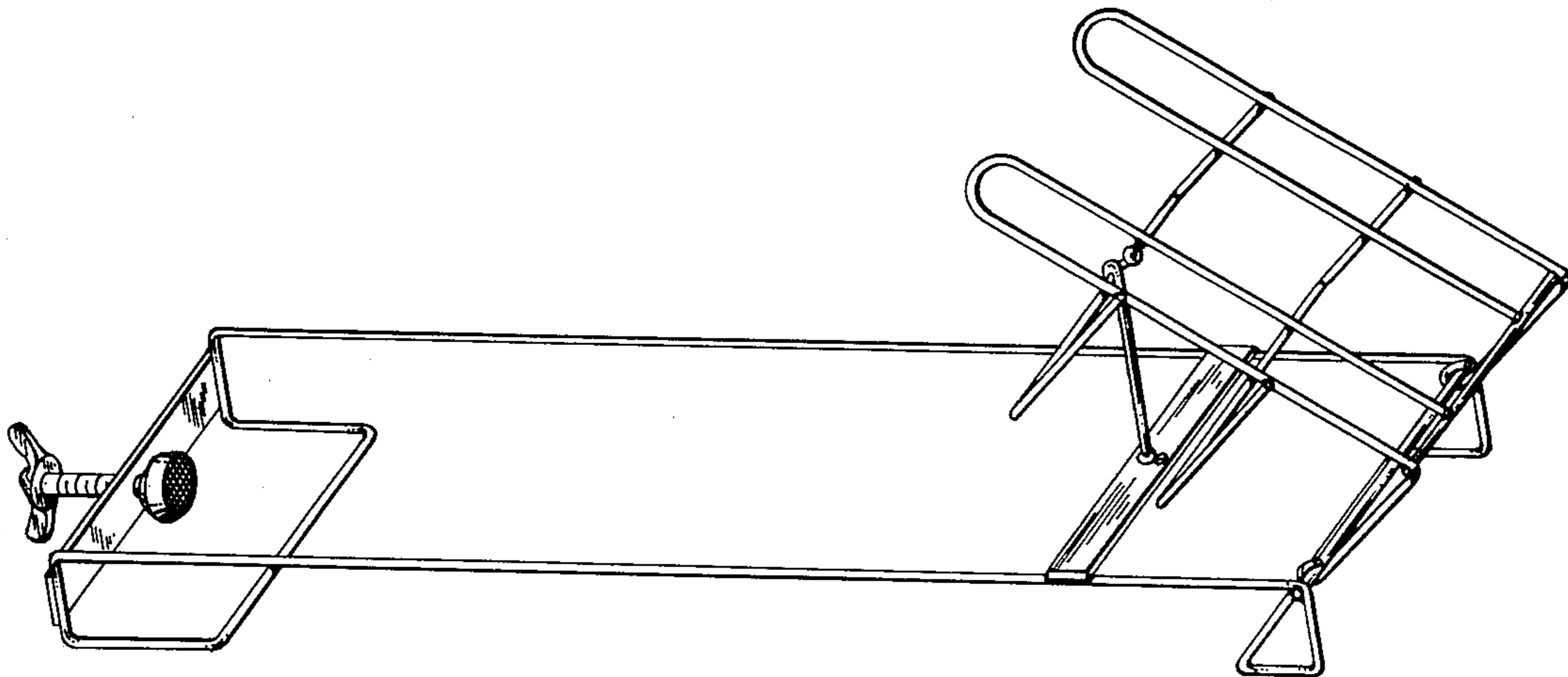
DESCRIPTION

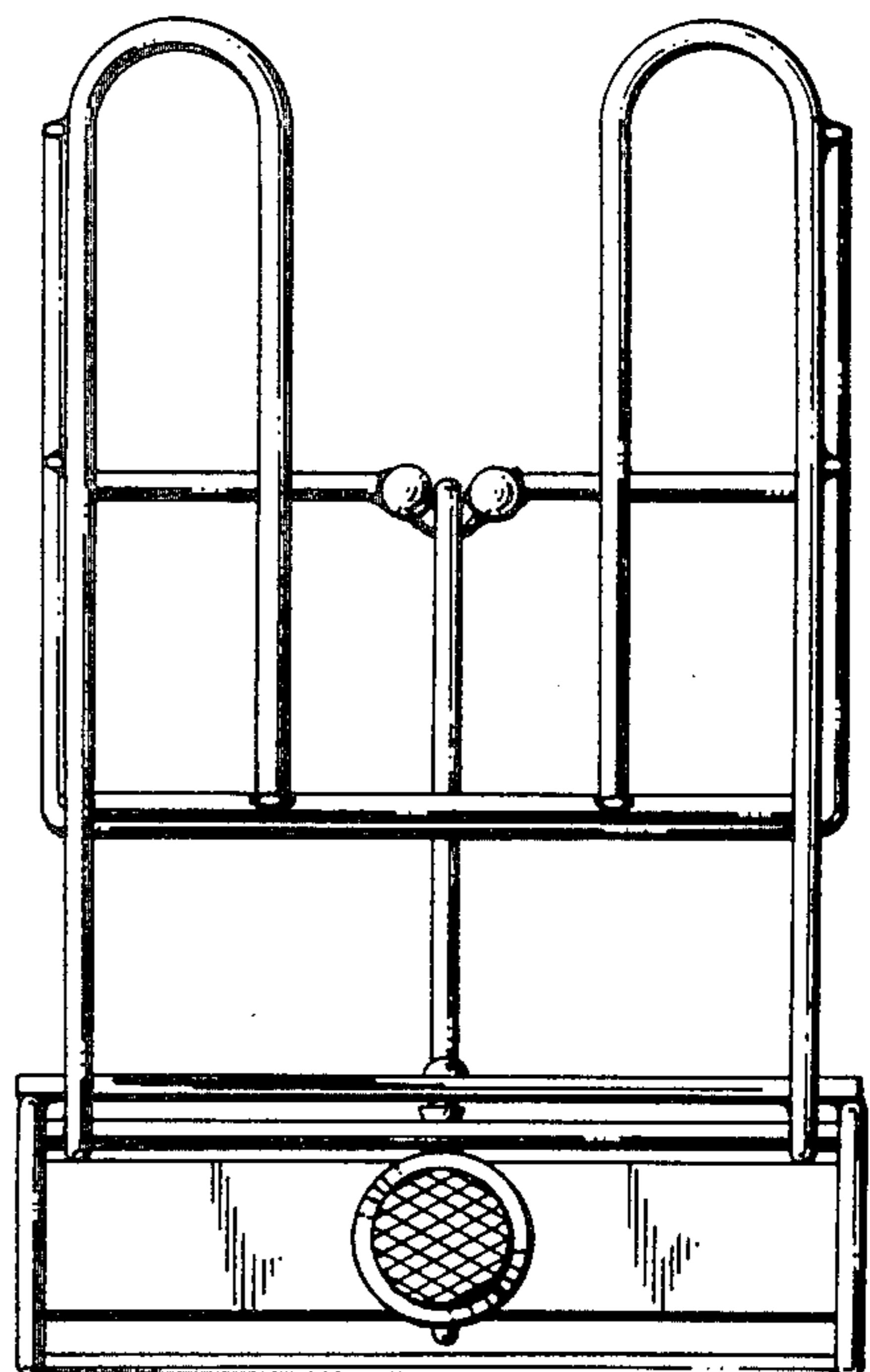
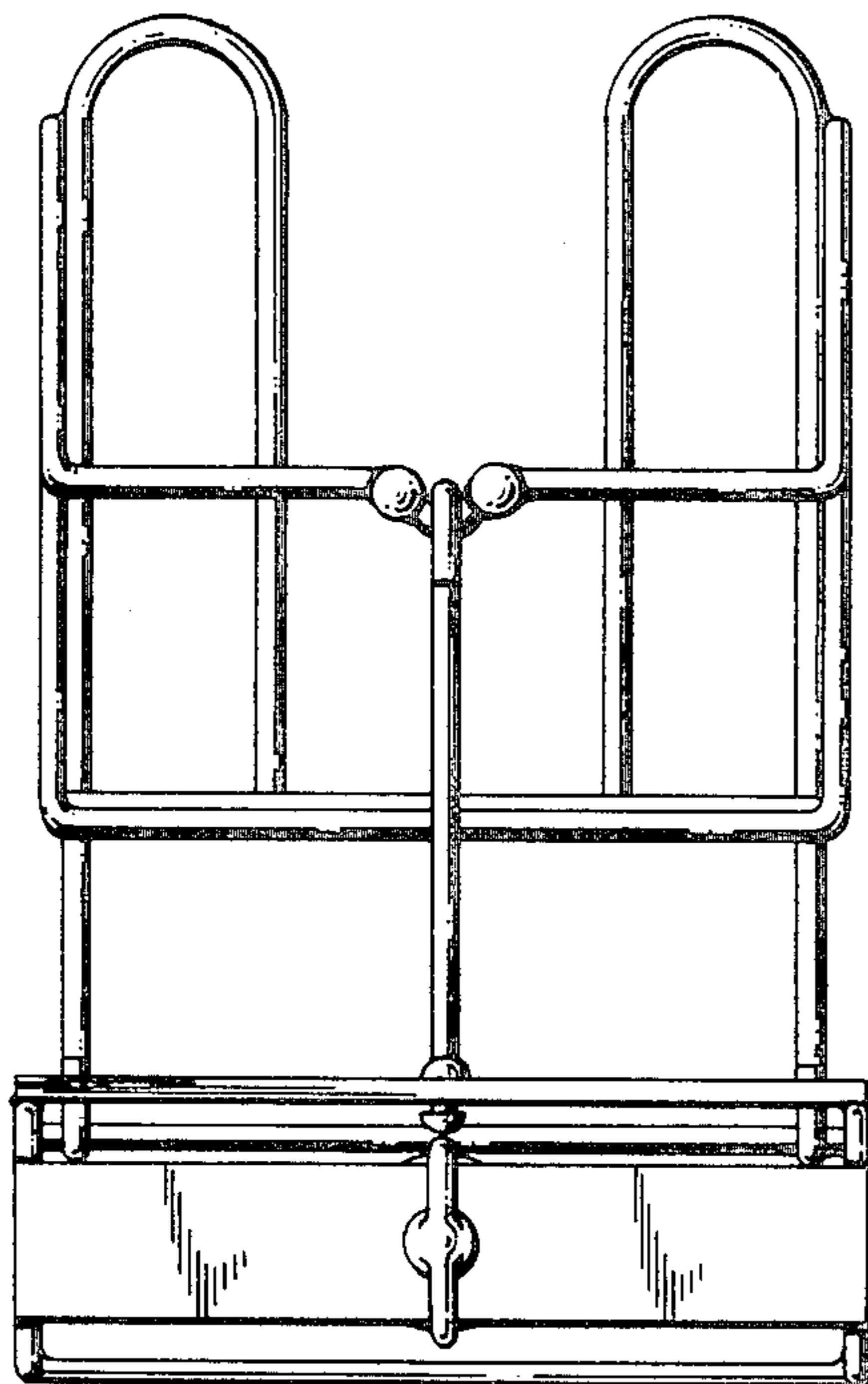
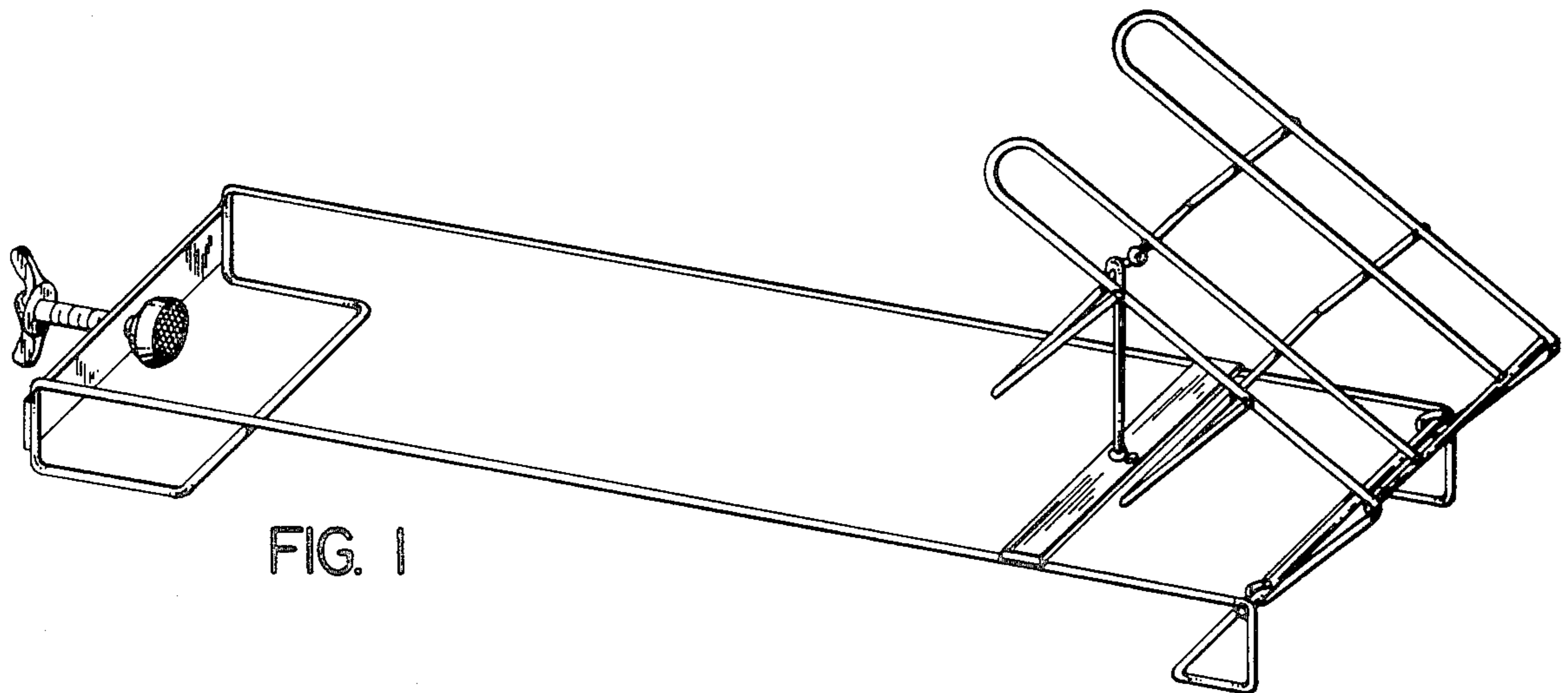
FIG. 1 is a perspective view of an iron holder showing my new design;
FIG. 2 is a front view thereof;
FIG. 3 is a rear view thereof;
FIG. 4 is a right side view, the left side view being a mirror image thereof;
FIG. 5 is a top view thereof; and
FIG. 6 is a bottom view thereof.

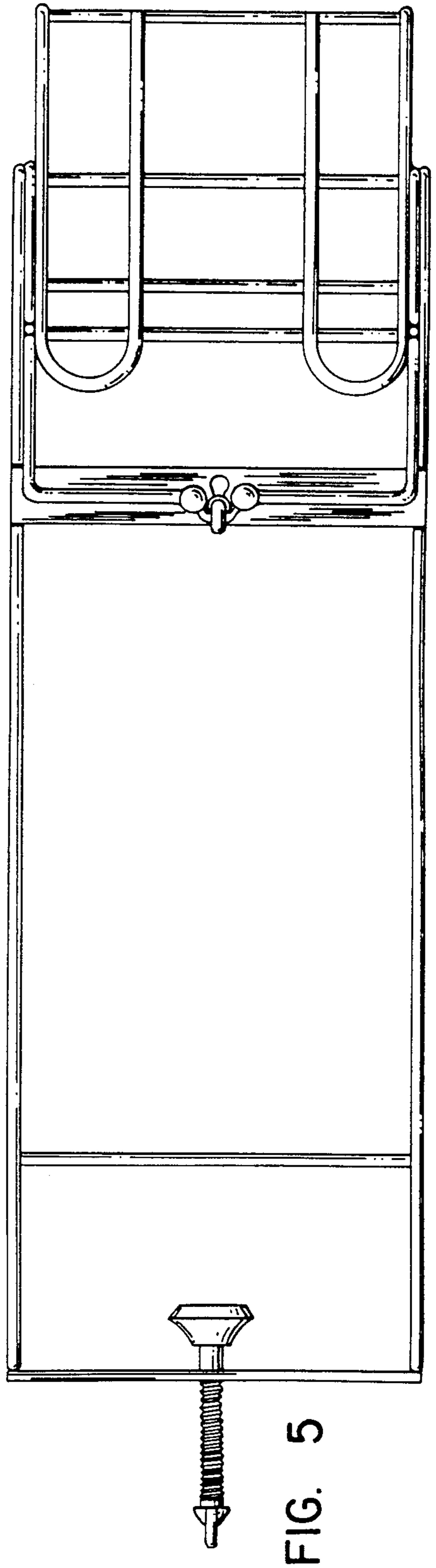
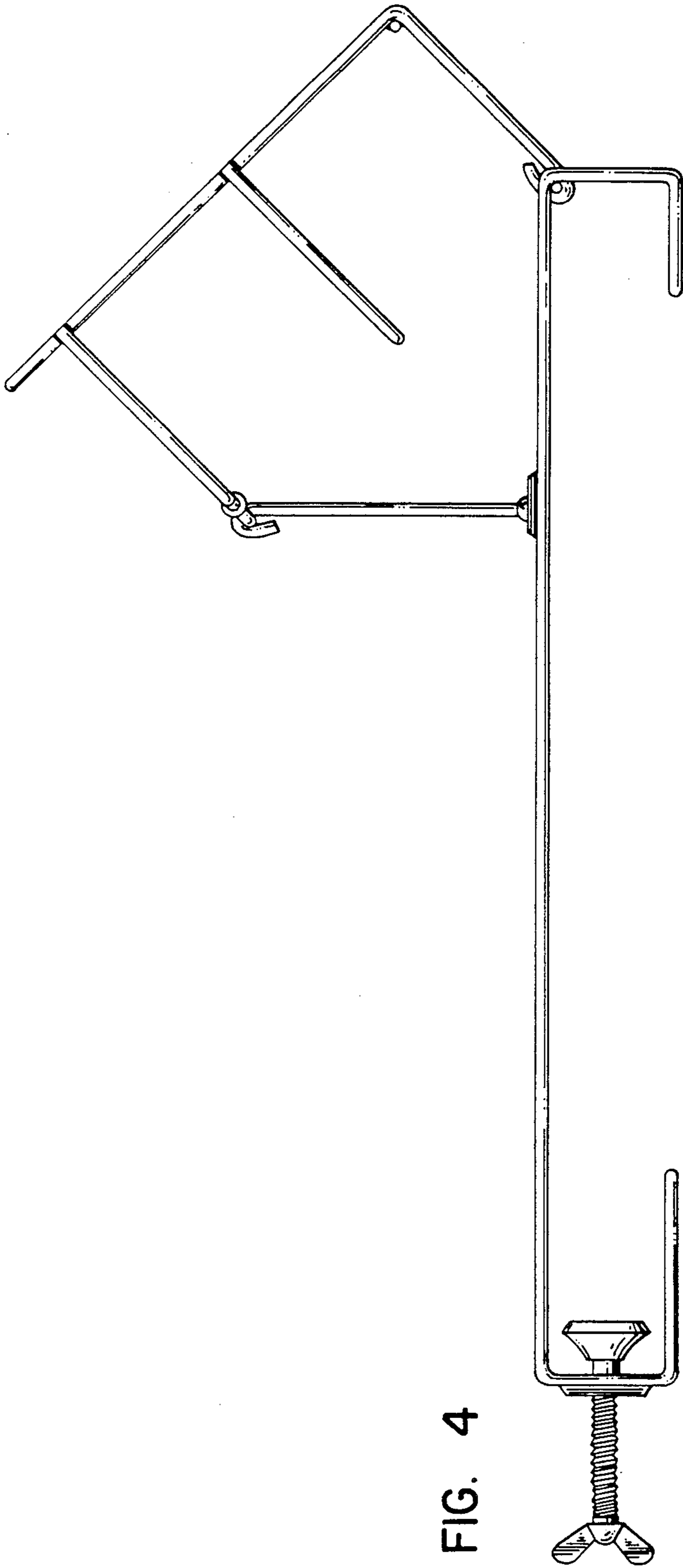
[56] References Cited

U.S. PATENT DOCUMENTS

D. 220,826	5/1971	Vaughn	D32/73
3,162,415	12/1964	St. Pierre	248/117.6
3,176,947	4/1965	Inverso	248/117.6
3,202,389	8/1965	Zoffer	248/117.4
3,215,379	11/1965	Rico	248/117.2
3,370,816	2/1968	Michaud	248/117.6
3,426,990	2/1969	Pady	248/117.6







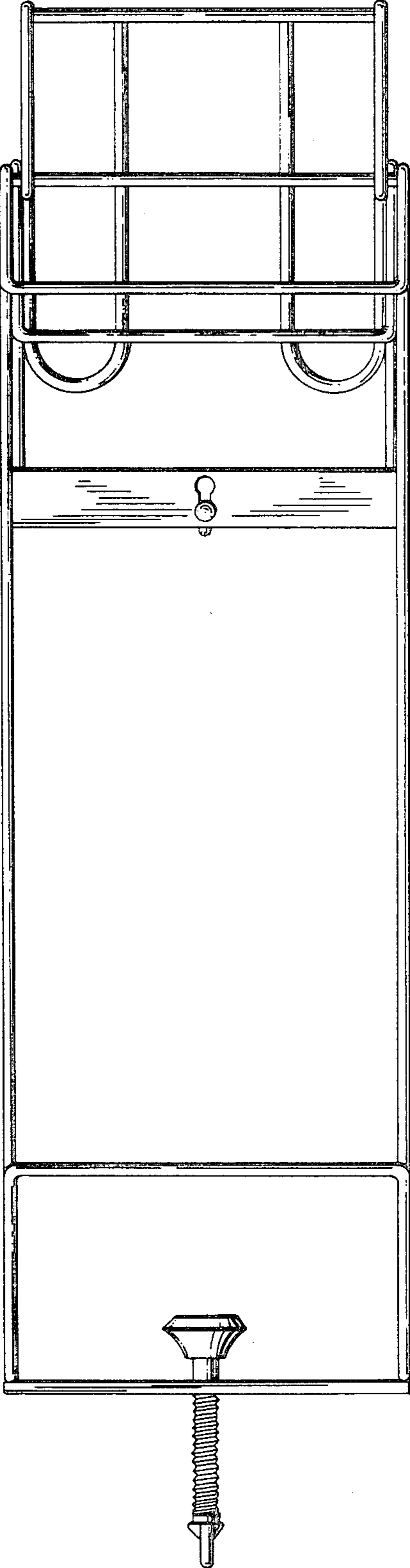


FIG. 6