

[54] HAND-HELD VACUUM CLEANER

[75] Inventor: Masao Tsuji, Old Lyme, Conn.

[73] Assignee: North American Philips Corporation, New York, N.Y.

[\*\*] Term: 14 Years

[21] Appl. No.: 511,123

[22] Filed: Jul. 6, 1983

[52] U.S. Cl. .... D32/18

[58] Field of Search ..... D32/18; 15/320-327 R, 15/327 D, 327 E, 344

[56] References Cited

U.S. PATENT DOCUMENTS

D. 257,661 12/1980 Gantz ..... D32/18

D. 274,381 6/1984 Chiu ..... D32/18  
3,513,500 5/1970 Hori ..... 15/344

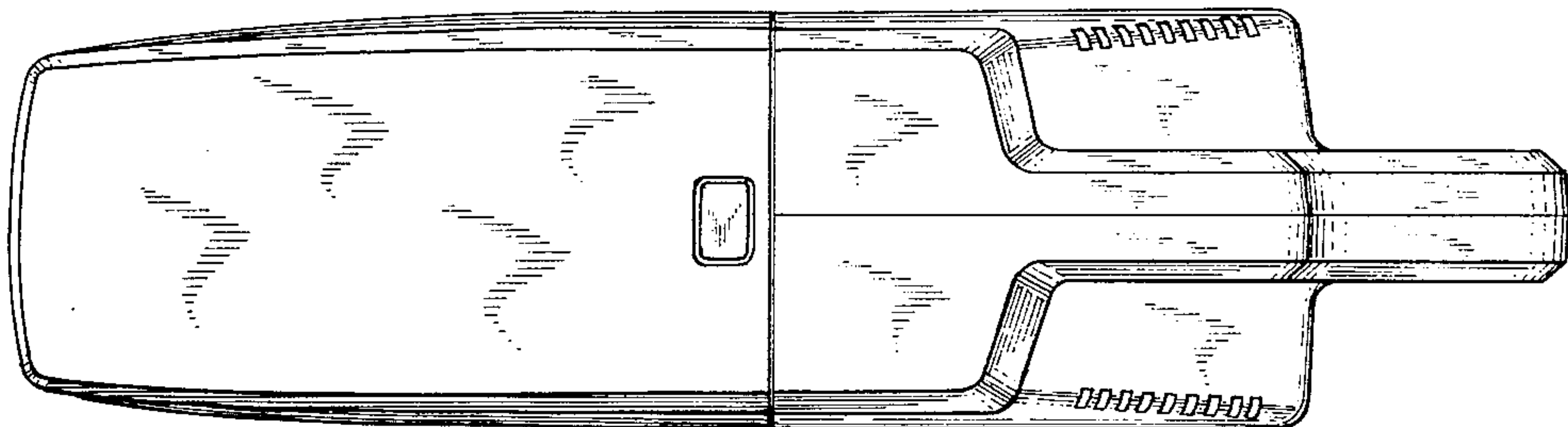
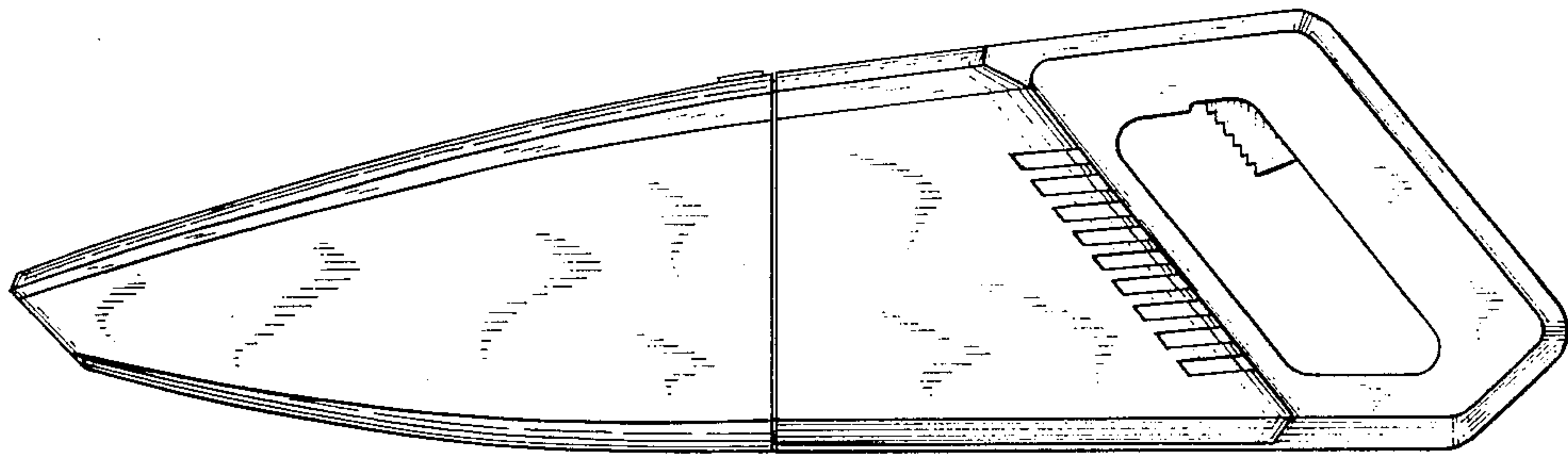
Primary Examiner—Wallace R. Burke  
Assistant Examiner—Lynn Wilder  
Attorney, Agent, or Firm—Rolf E. Schneider

[57] CLAIM

The ornamental design for a hand-held vacuum cleaner, as shown and described.

DESCRIPTION

FIG. 1 is a right-side elevational view of a hand-held vacuum cleaner showing my new design, the left-side elevational view being a mirror image;  
FIG. 2 is a top plan view thereof;  
FIG. 3 is a bottom plan view thereof;  
FIG. 4 is a front elevational view thereof; and  
FIG. 5 is a rear elevational view thereof.



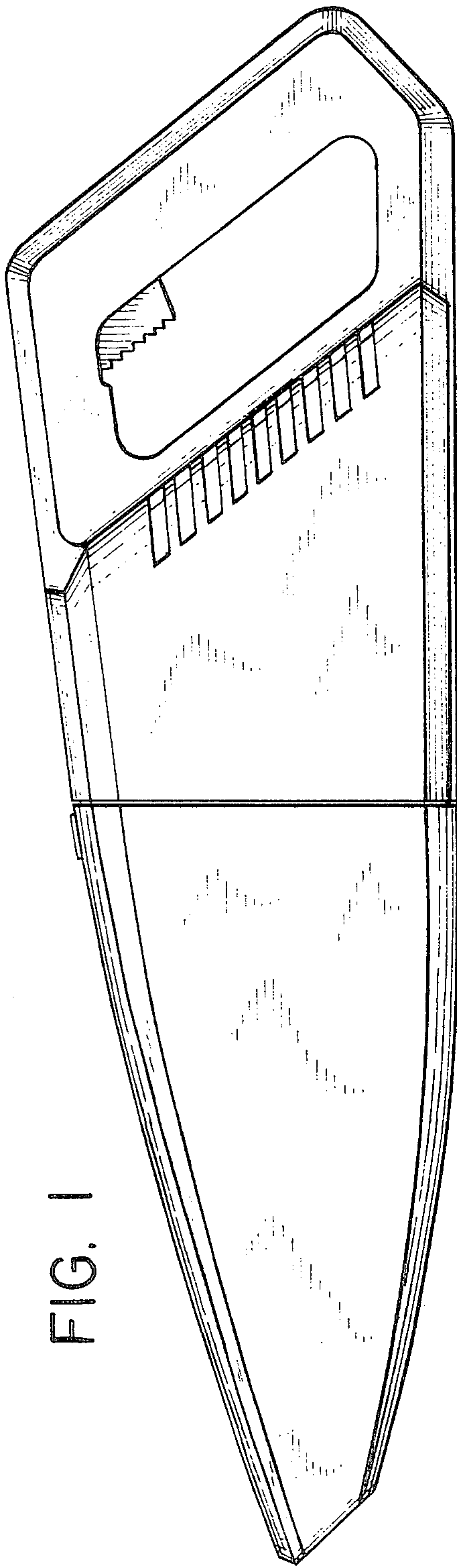


FIG. 1

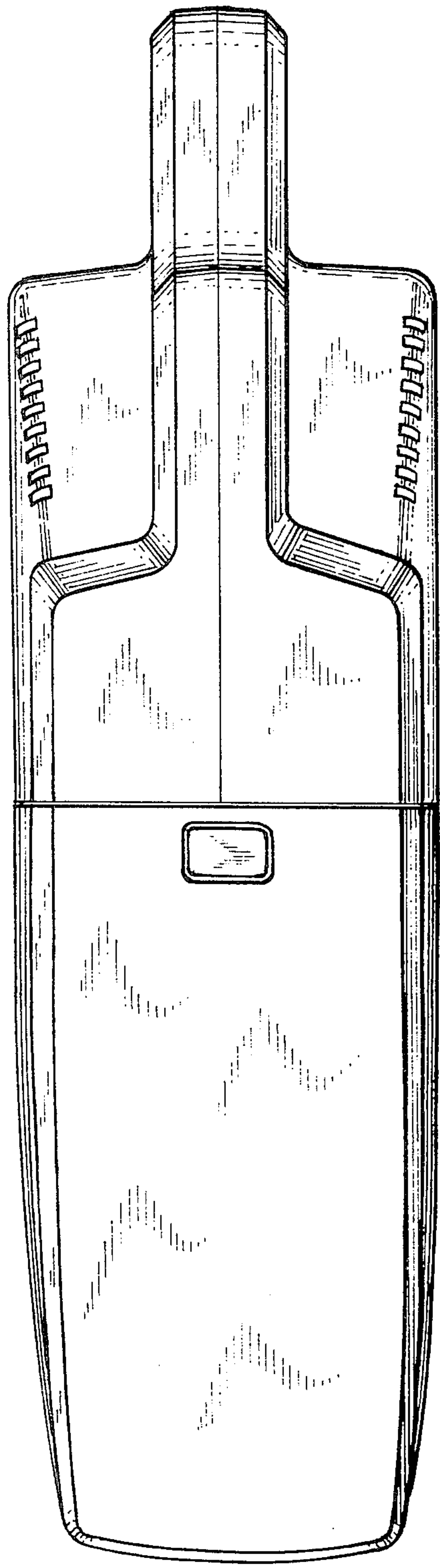


FIG. 2

FIG. 3

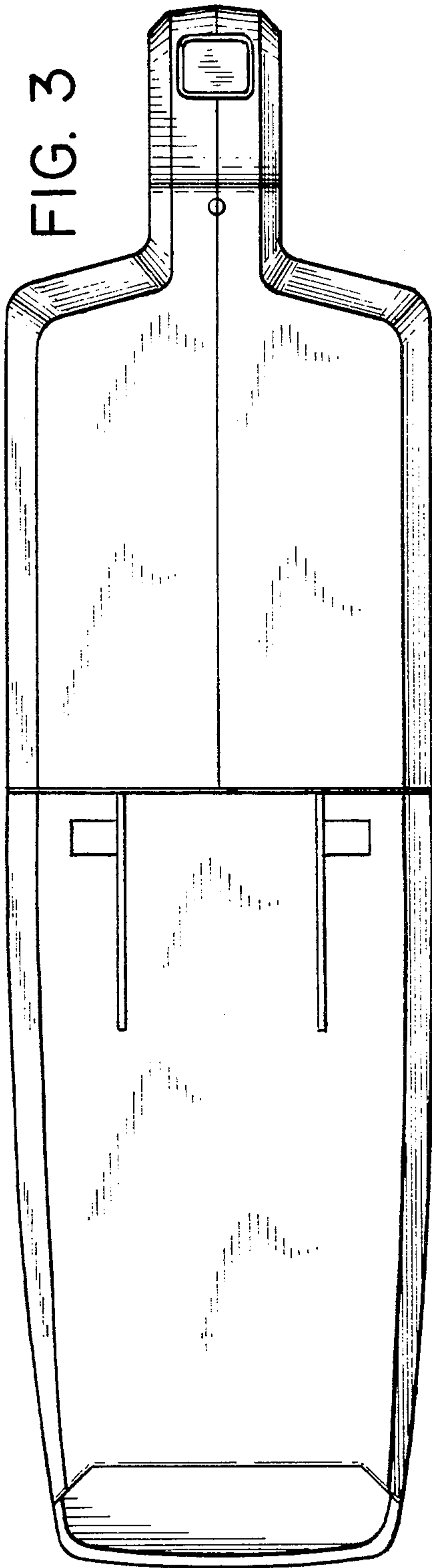


FIG. 5

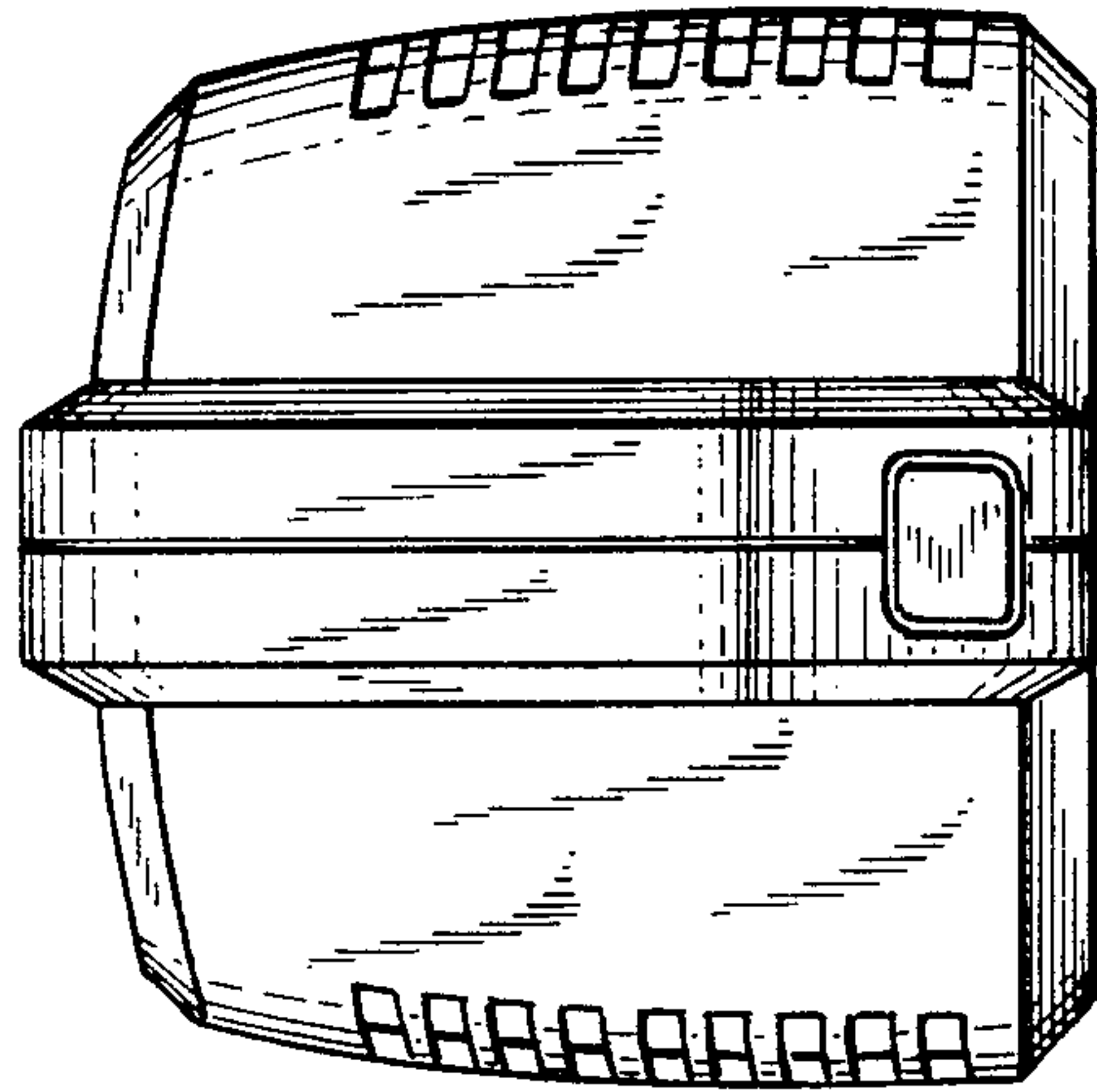


FIG. 4

