

[54] COSMETIC COMPACT

3,637,278 1/1972 Easterbrooks D28/83 X

[75] Inventor: Eli I. Schefer, Sands Point, N.Y.

Primary Examiner—Louis S. Zarfes

[73] Assignee: Revlon, Inc., New York, N.Y.

[57] CLAIM

[**] Term: 14 Years

The ornamental design for a cosmetic compact, as shown and described.

[21] Appl. No.: 416,800

DESCRIPTION

[22] Filed: Sep. 13, 1982

[52] U.S. Cl. D28/78

[58] Field of Search D28/65-69, D28/72-85, 91, 91.1; D3/39; D9/403, 413, 420, 423, 432, 341; 206/823, 235, 581, 229, 38; 220/337, 338, DIG. 26; 132/79 R, 79 A, 79 C, 79 F, 79 G, 82 R, 82 A, 82 D, 82 F, 83 R, 83 B, 83 D-83 G, DIG. 2

FIG. 1 is a front-side perspective view of a cosmetic compact showing my new design; FIG. 2 is a top plan view thereof; FIG. 3 is a front elevational view thereof; FIG. 4 is a back elevational view thereof; FIG. 5 is a bottom plan view thereof; FIG. 6 is a front-side perspective view showing the top and shield in open positions; FIG. 7 is a cross-sectional view along line 7-7 of FIG. 6; and FIG. 8 is a cross-sectional view along line 8-8 of FIG. 6. FIG. 9 is a left side elevational view.

[56] References Cited

U.S. PATENT DOCUMENTS

2,146,140 2/1939 Hannings 220/DIG. 26
2,219,597 10/1940 Lutz D28/77 X

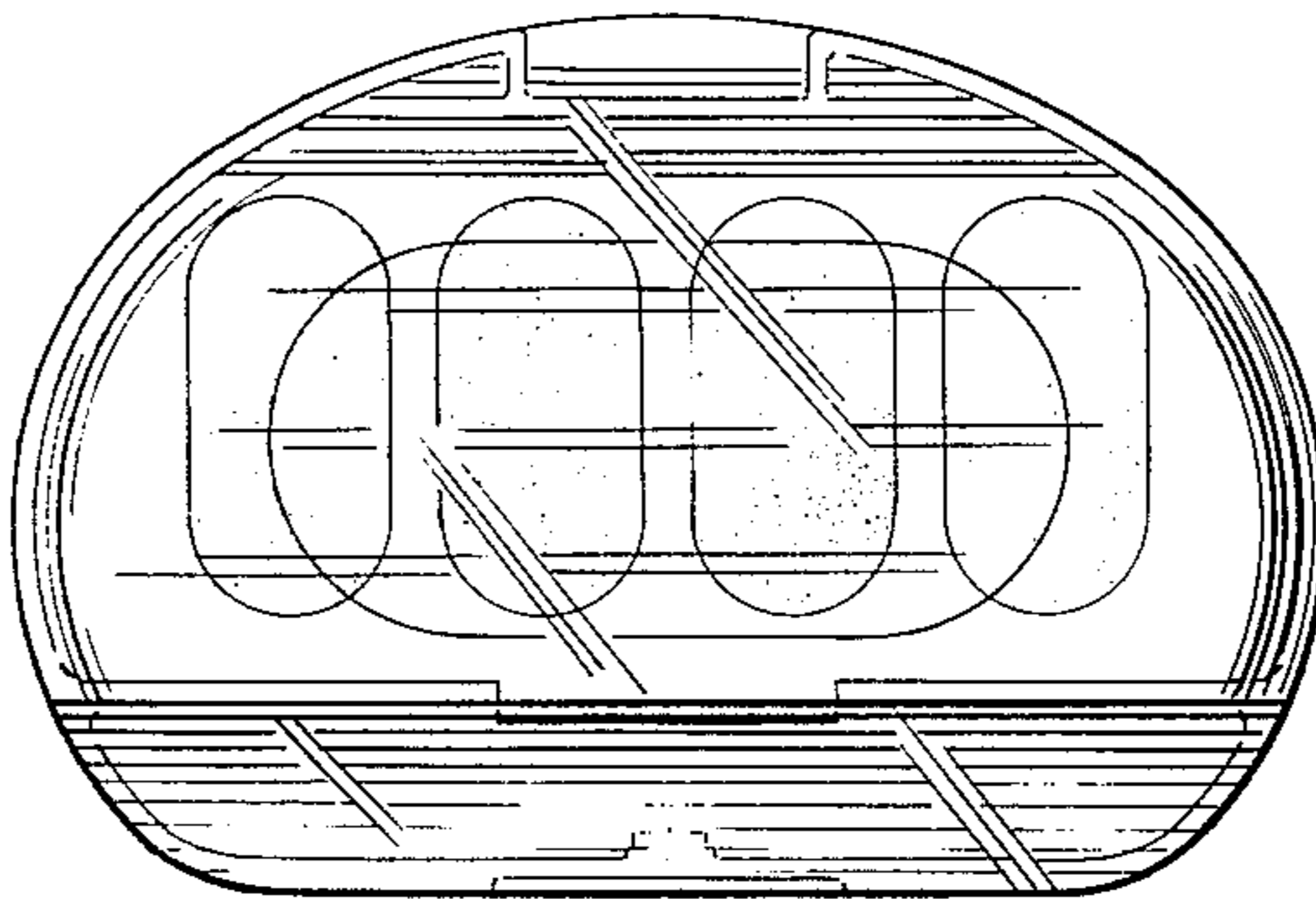
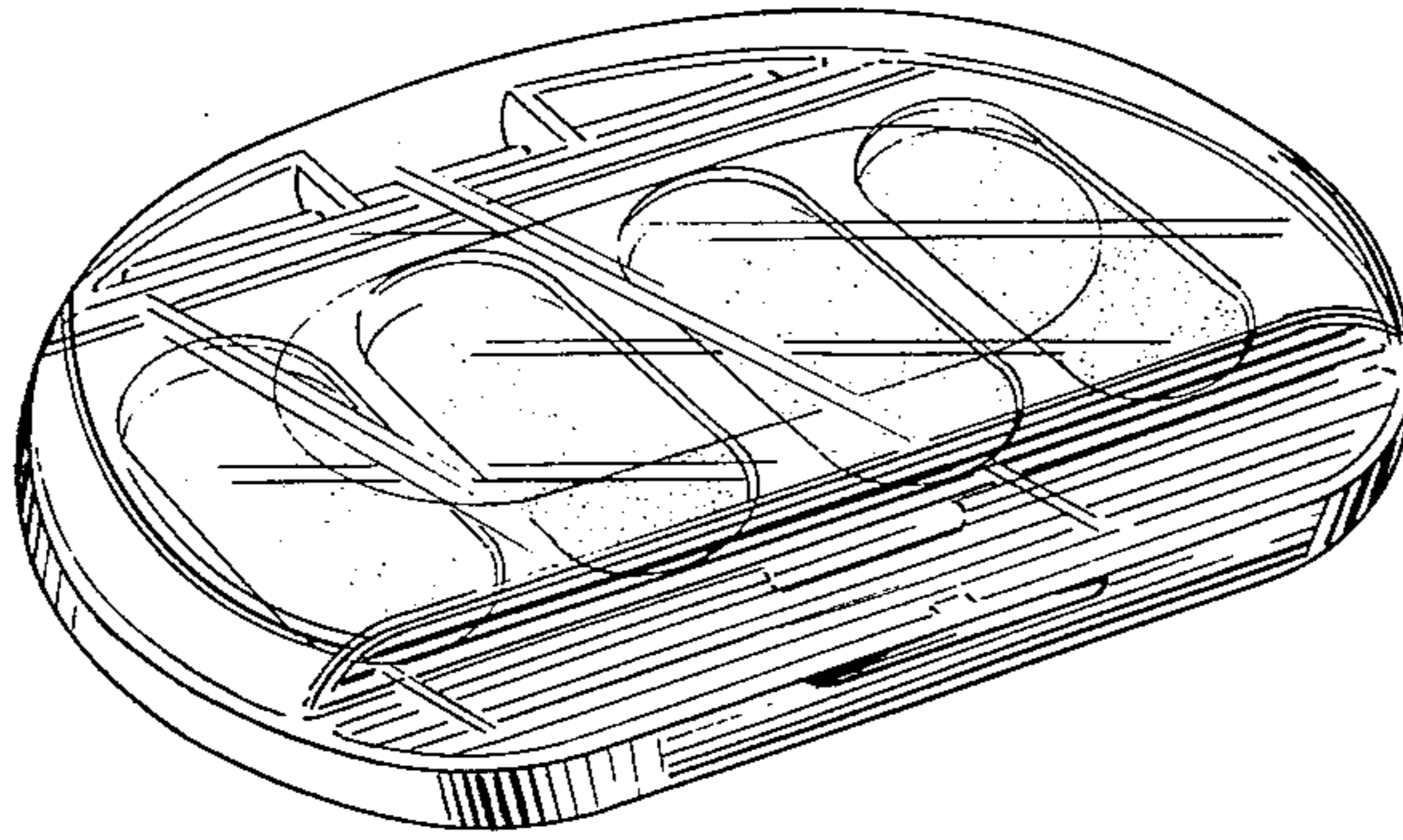


Fig. 1.

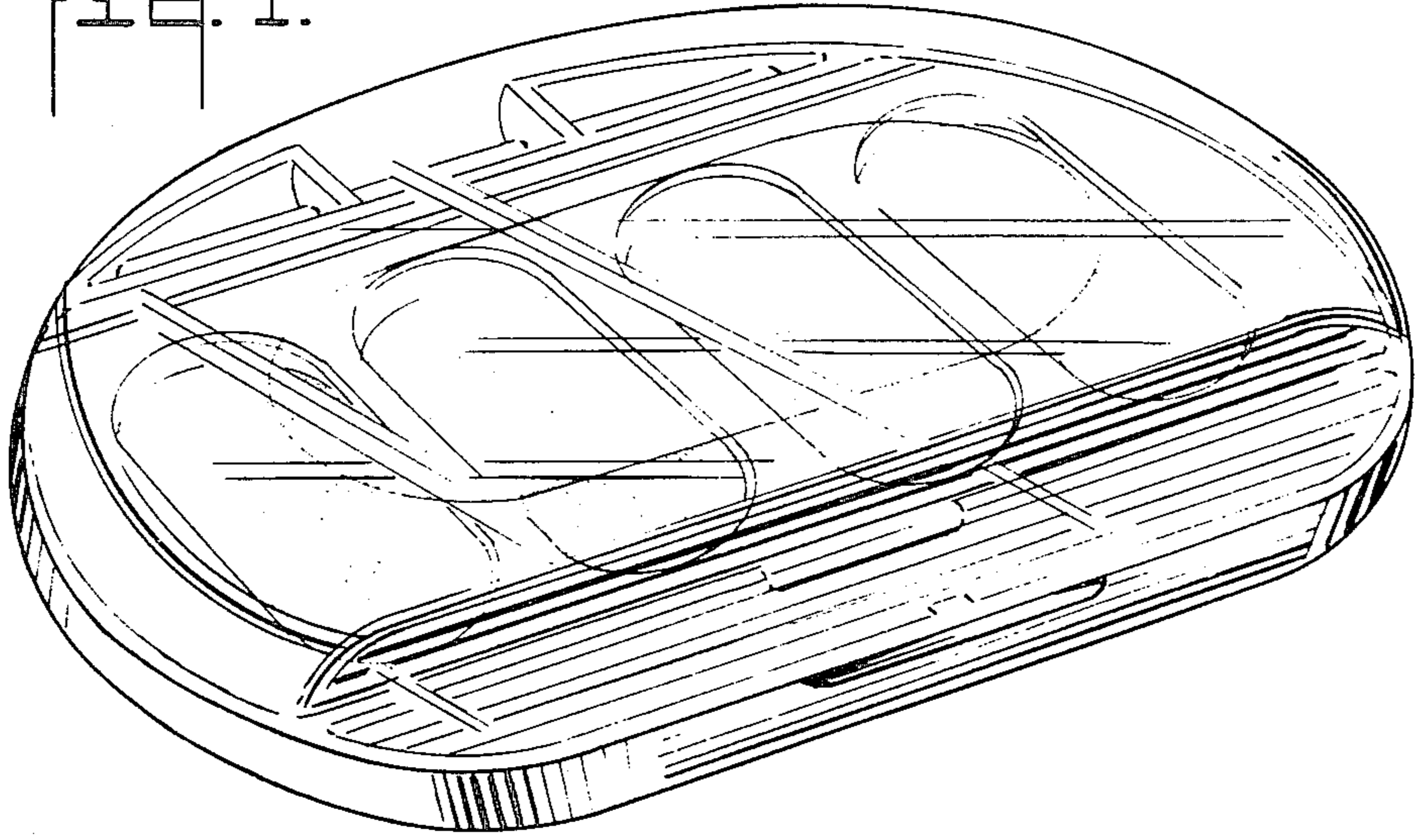


Fig. 2.

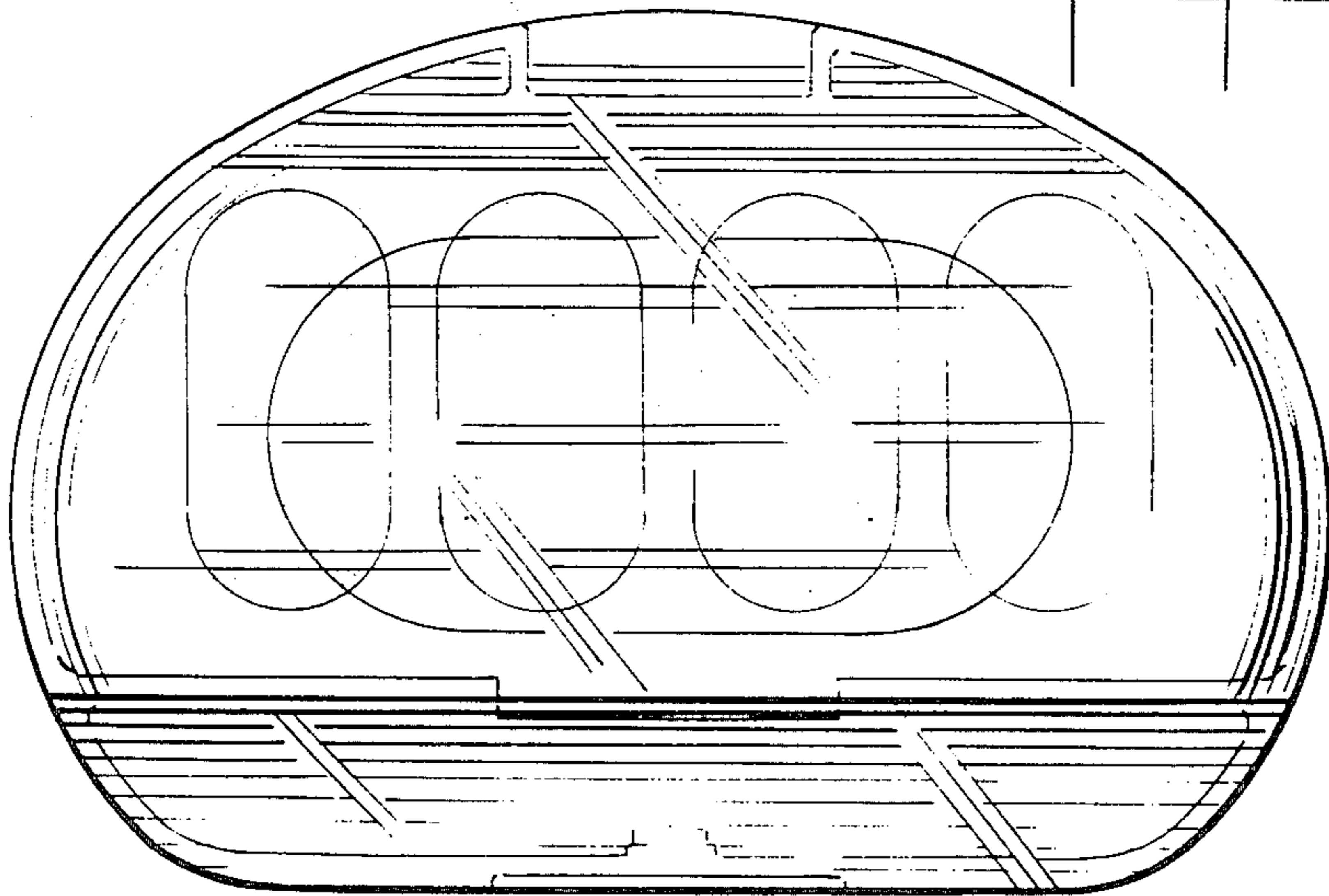


Fig. 3.

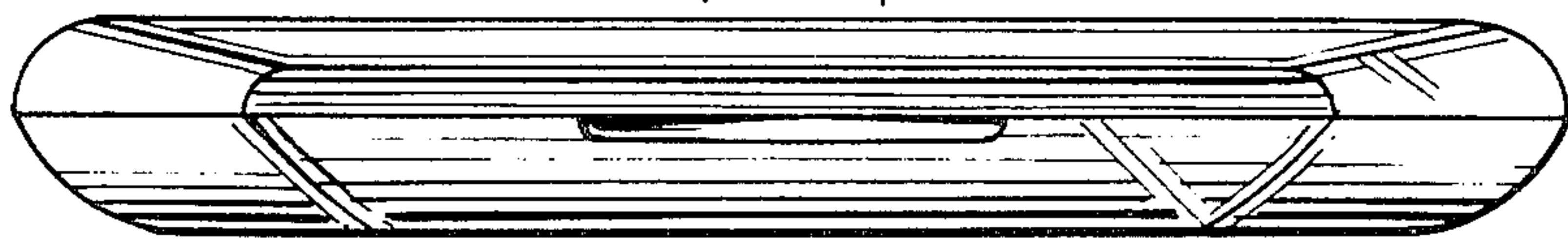


Fig. 9

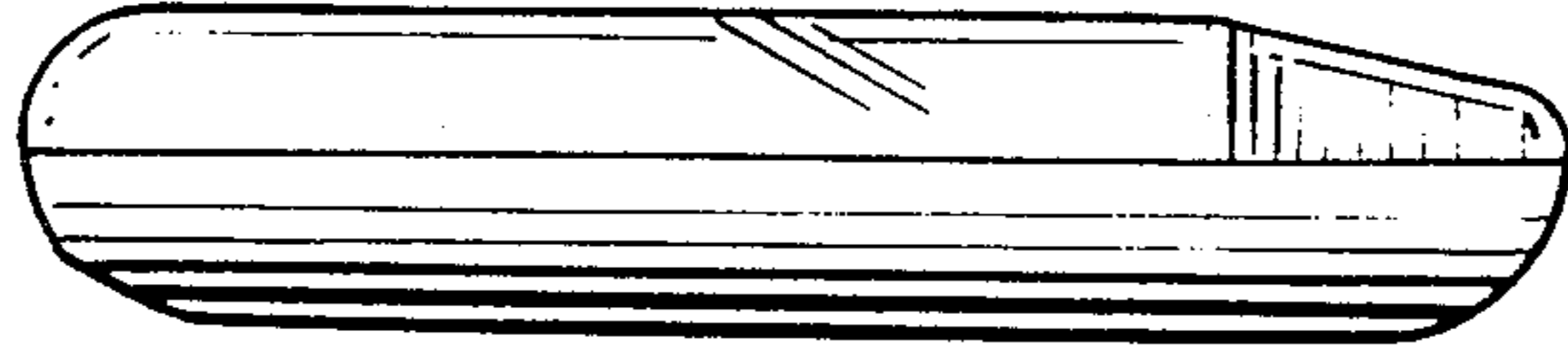


Fig. 4.

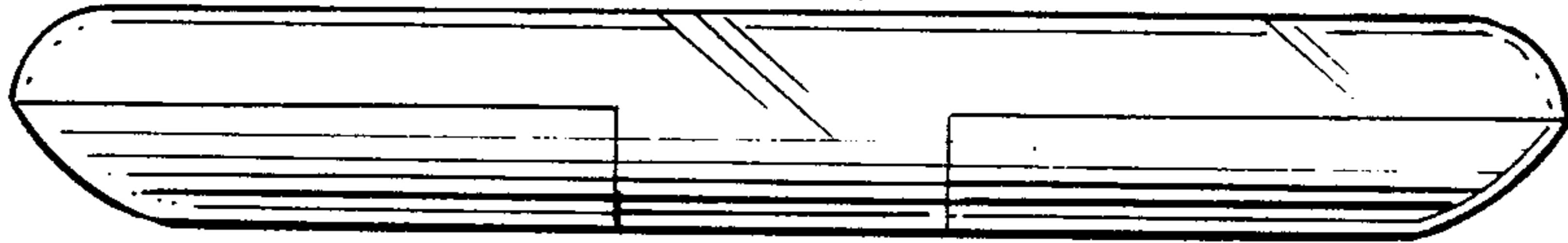


Fig. 7.

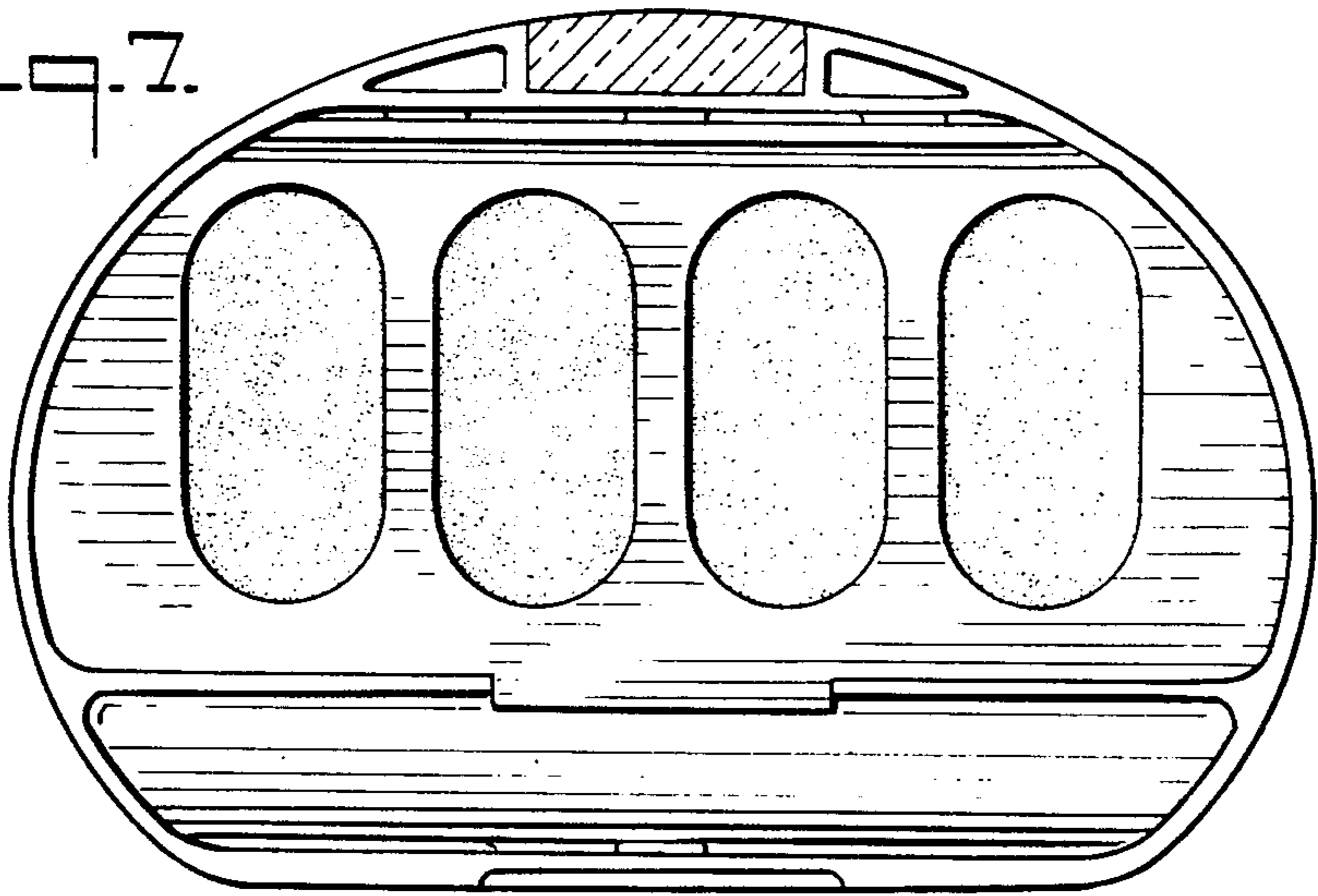


Fig. 8.

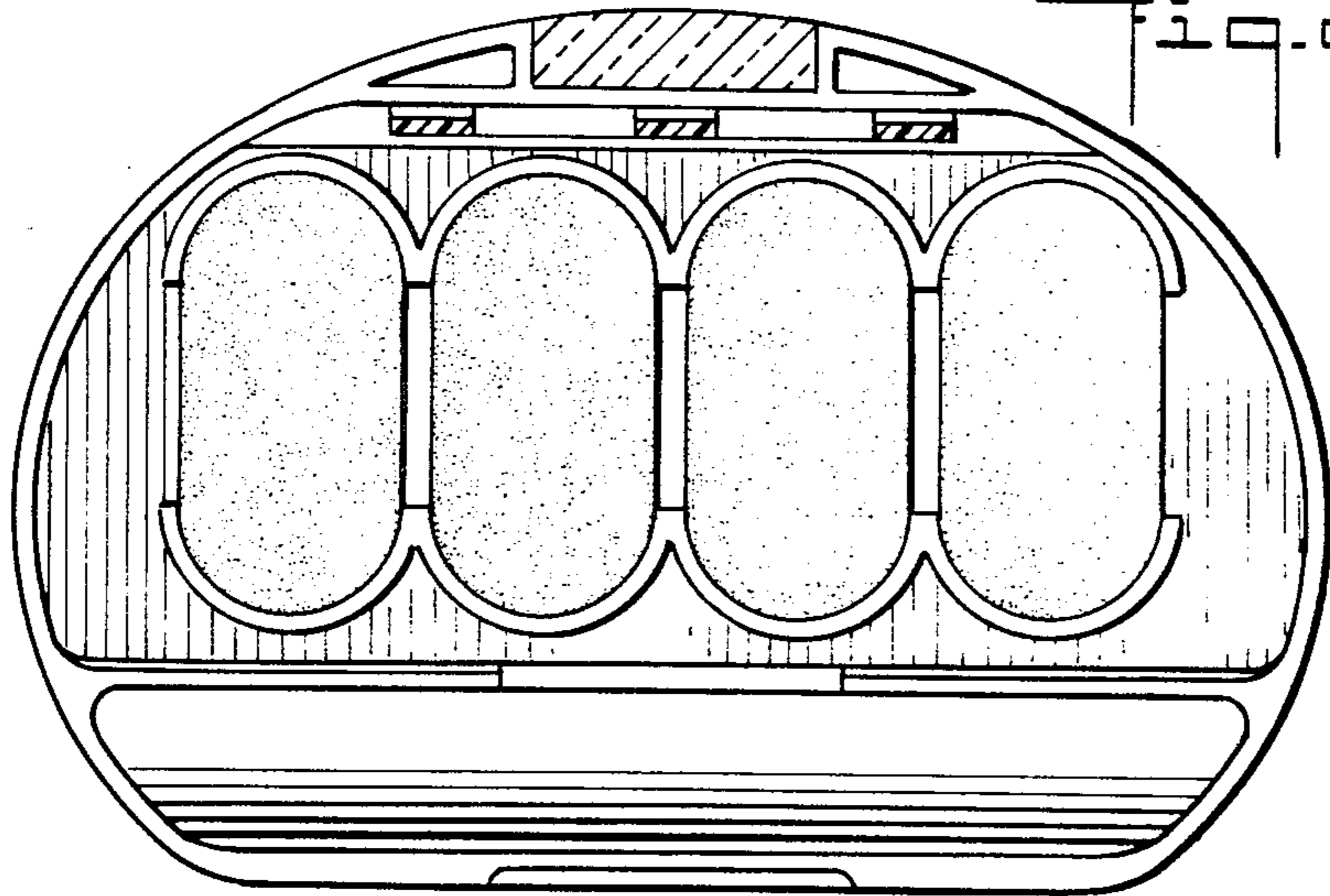


Fig. 5.

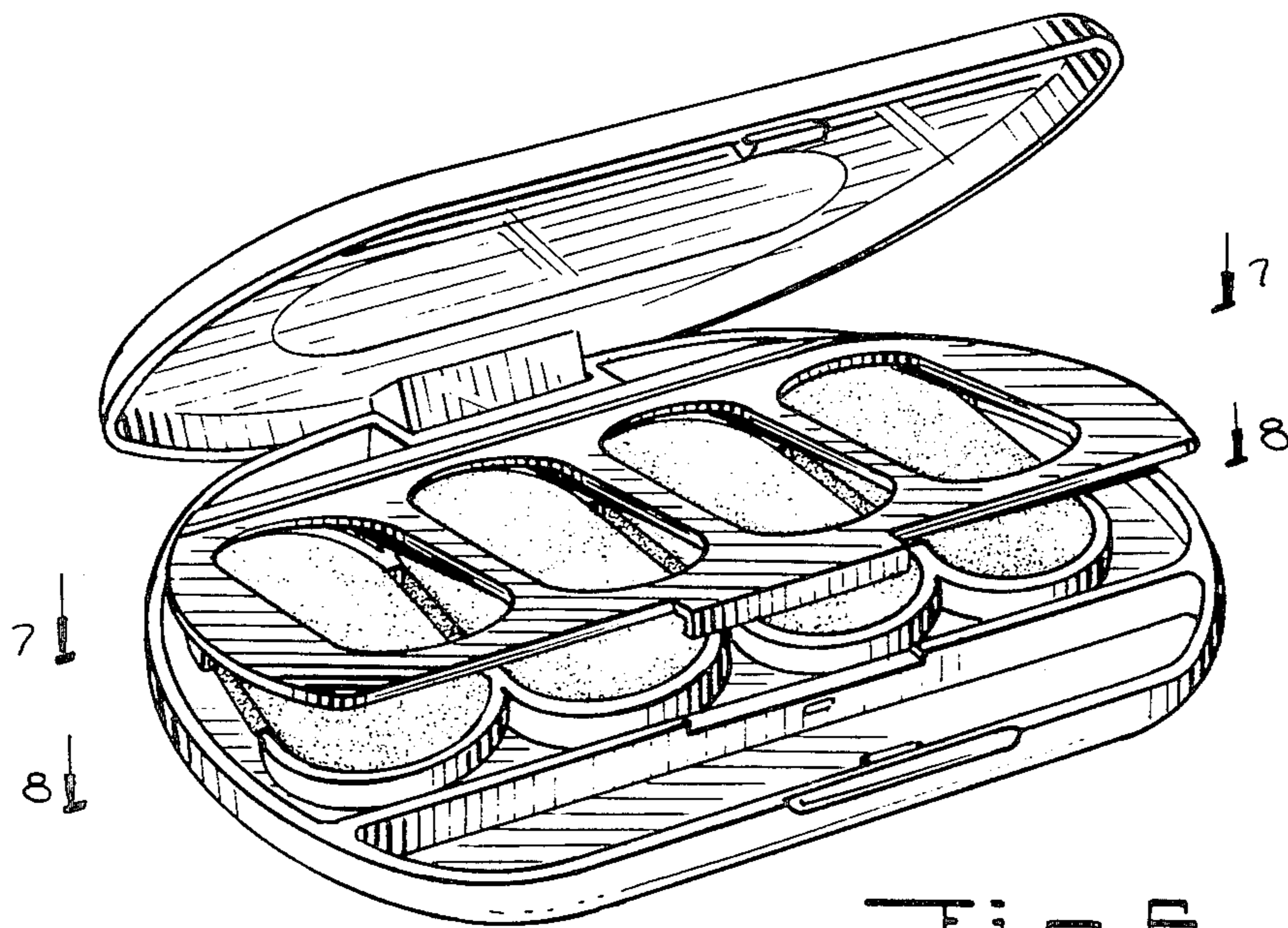
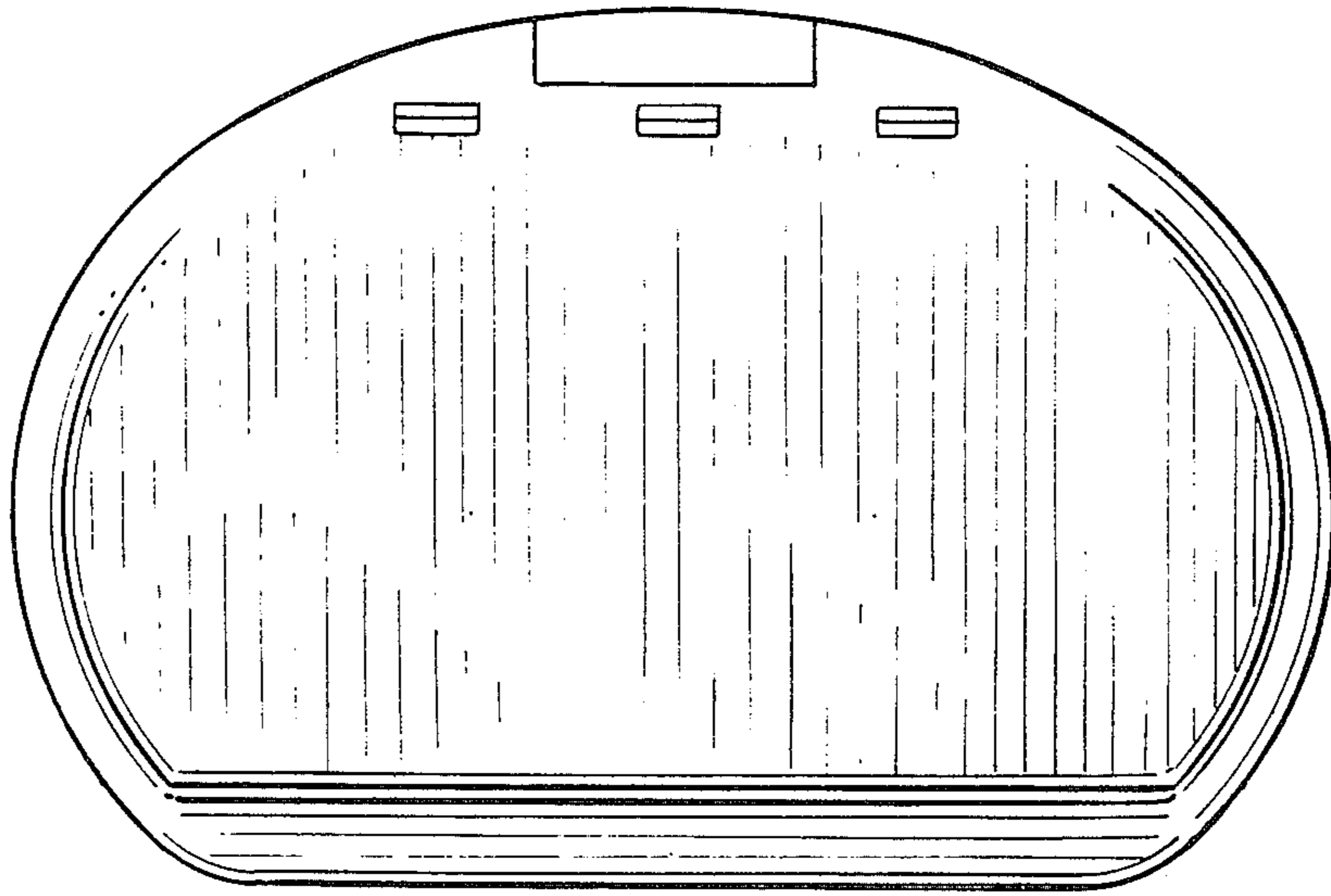


Fig. 6.