

[54] OIL CANDLE

[76] Inventor: Karen Boss, 125 Horse Shoe Hill Rd., Bolinas, Calif. 94924

[\*\*] Term: 14 Years

[21] Appl. No.: 504,188

[22] Filed: Jun. 14, 1983

[52] U.S. Cl. .... D26/110; D26/9

[58] Field of Search ..... D26/93, 94, 102-117; 362/159, 161, 163, 415; 431/298, 311, 320, 324

[56] References Cited

U.S. PATENT DOCUMENTS

13,860	11/1855	Bennett	431/324
215,688	5/1879	Stineman	431/324
D. 271,429	11/1983	Andersen	D26/104

1,237,035 8/1917 Hayden ..... 431/320

FOREIGN PATENT DOCUMENTS

338125	3/1904	France	362/412
522885	4/1921	France	431/320

Primary Examiner—Susan J. Lucas  
Attorney, Agent, or Firm—Townsend & Townsend

[57] CLAIM

The ornamental design for an oil candle, as shown.

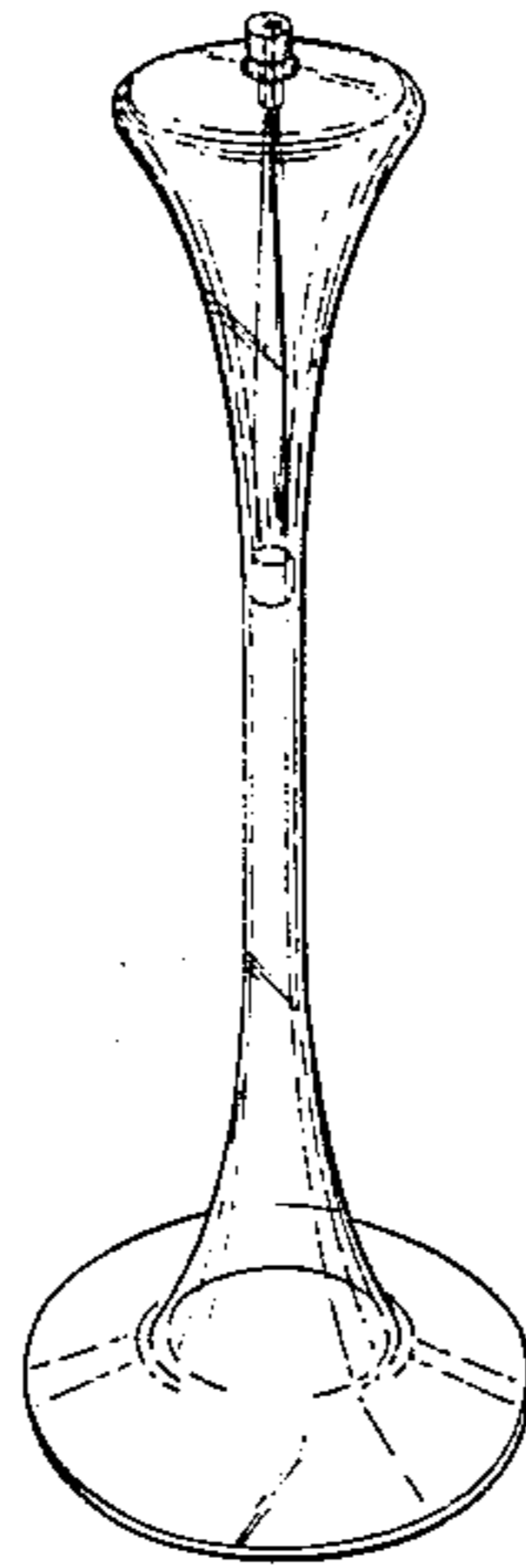
DESCRIPTION

FIG. 1 is a perspective view of an oil candle showing my new design;

FIG. 2 is a top plan view thereof;

FIG. 3 is an elevational view thereof; and

FIG. 4 is a bottom plan view thereof.



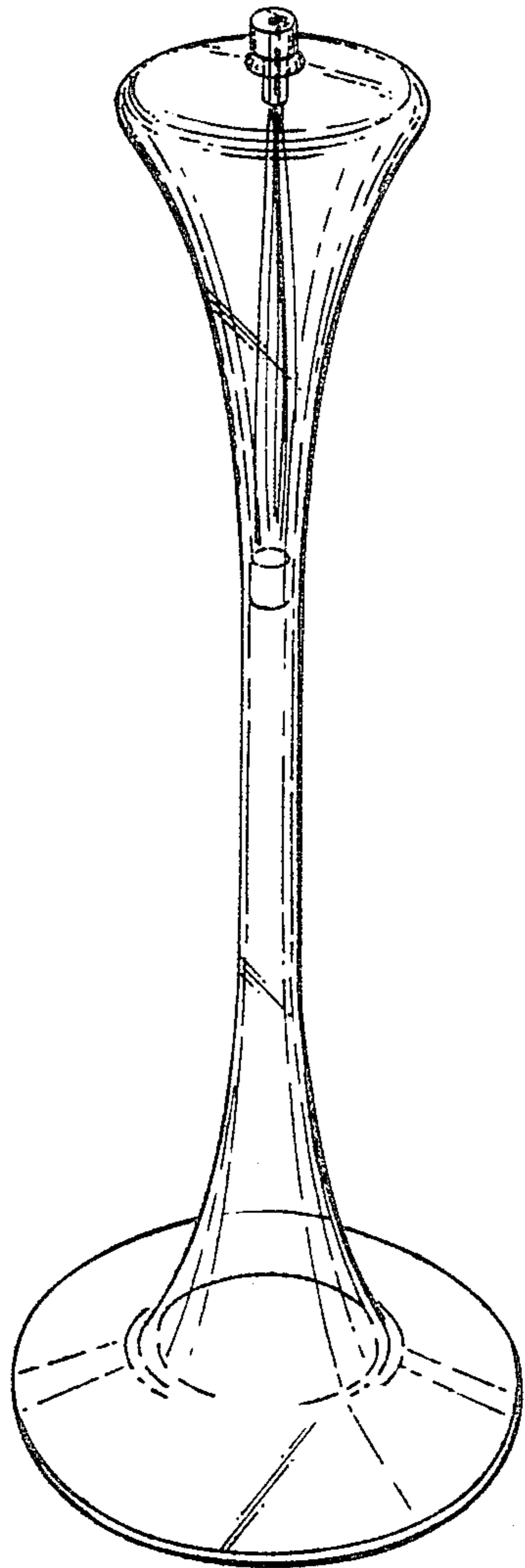


FIG. 1.

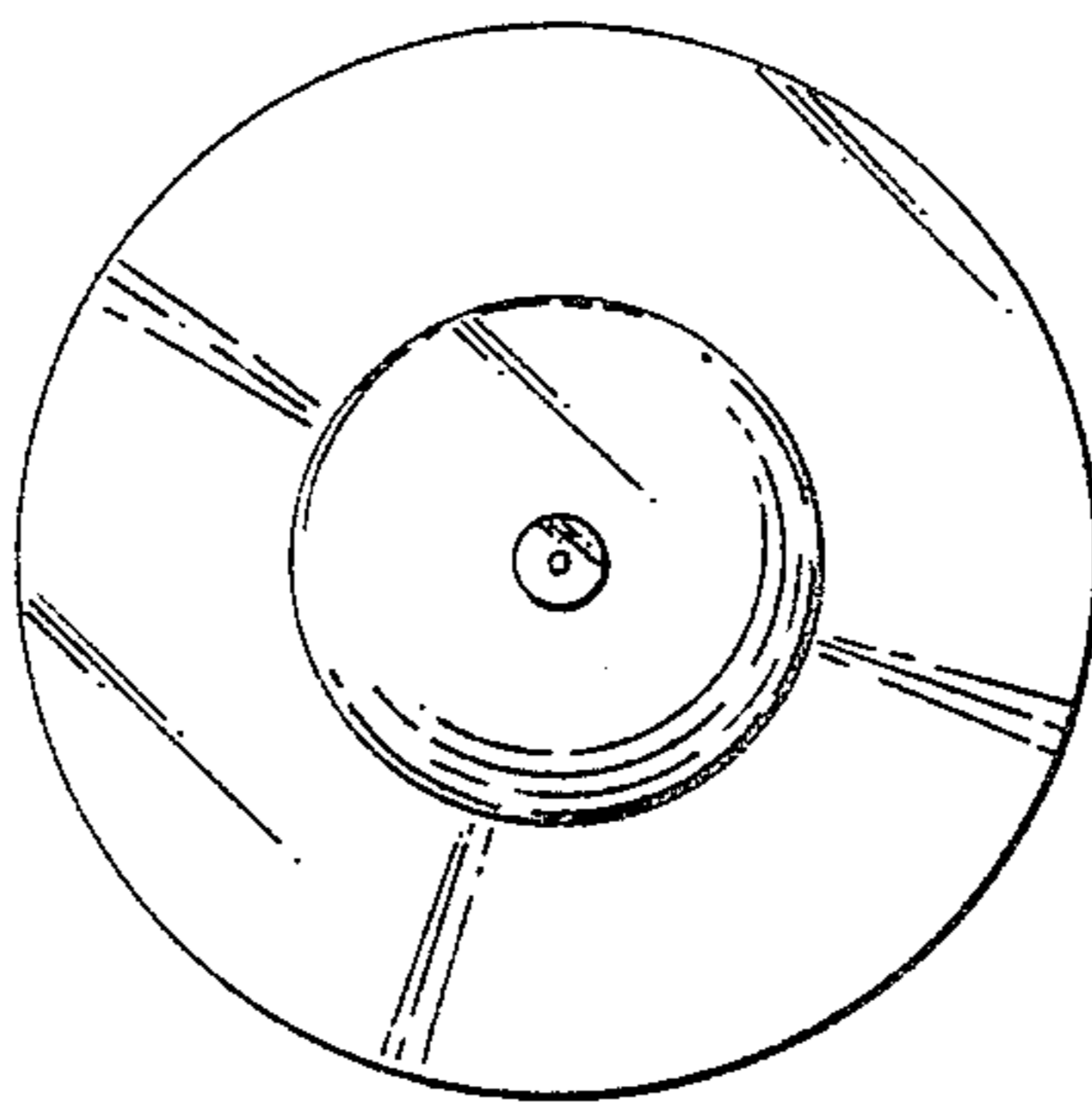


FIG. 2.

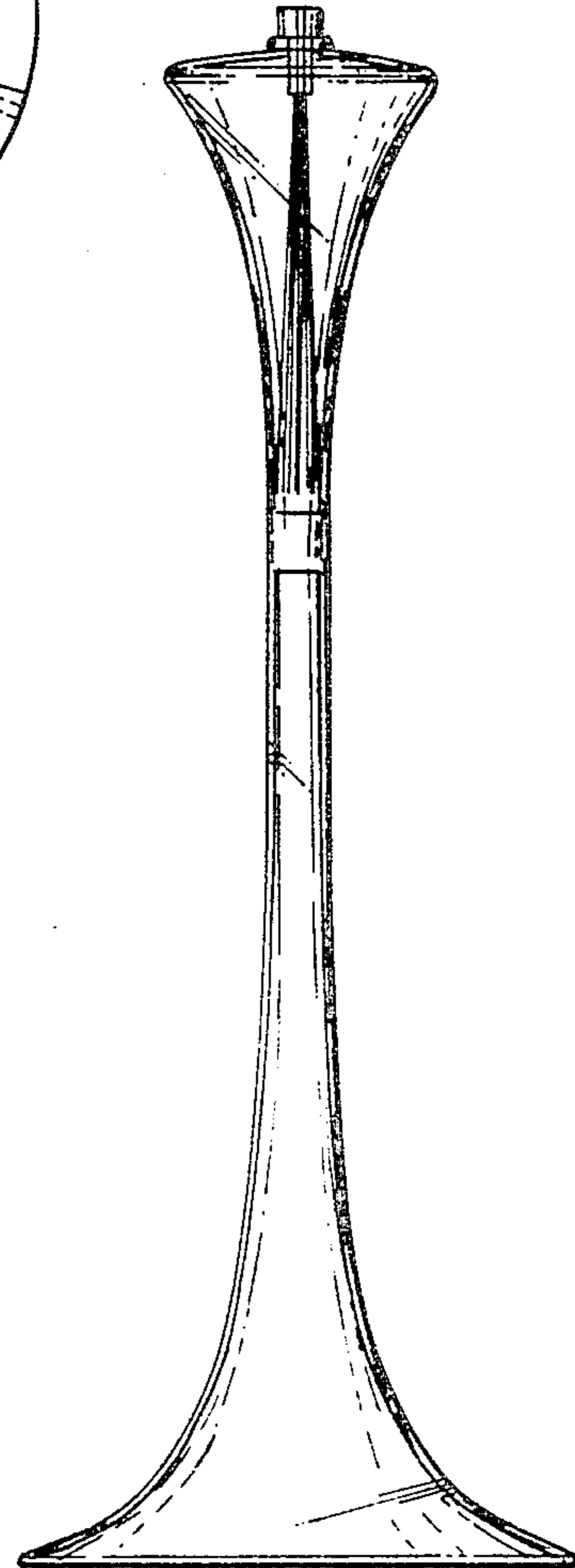


FIG. 3.

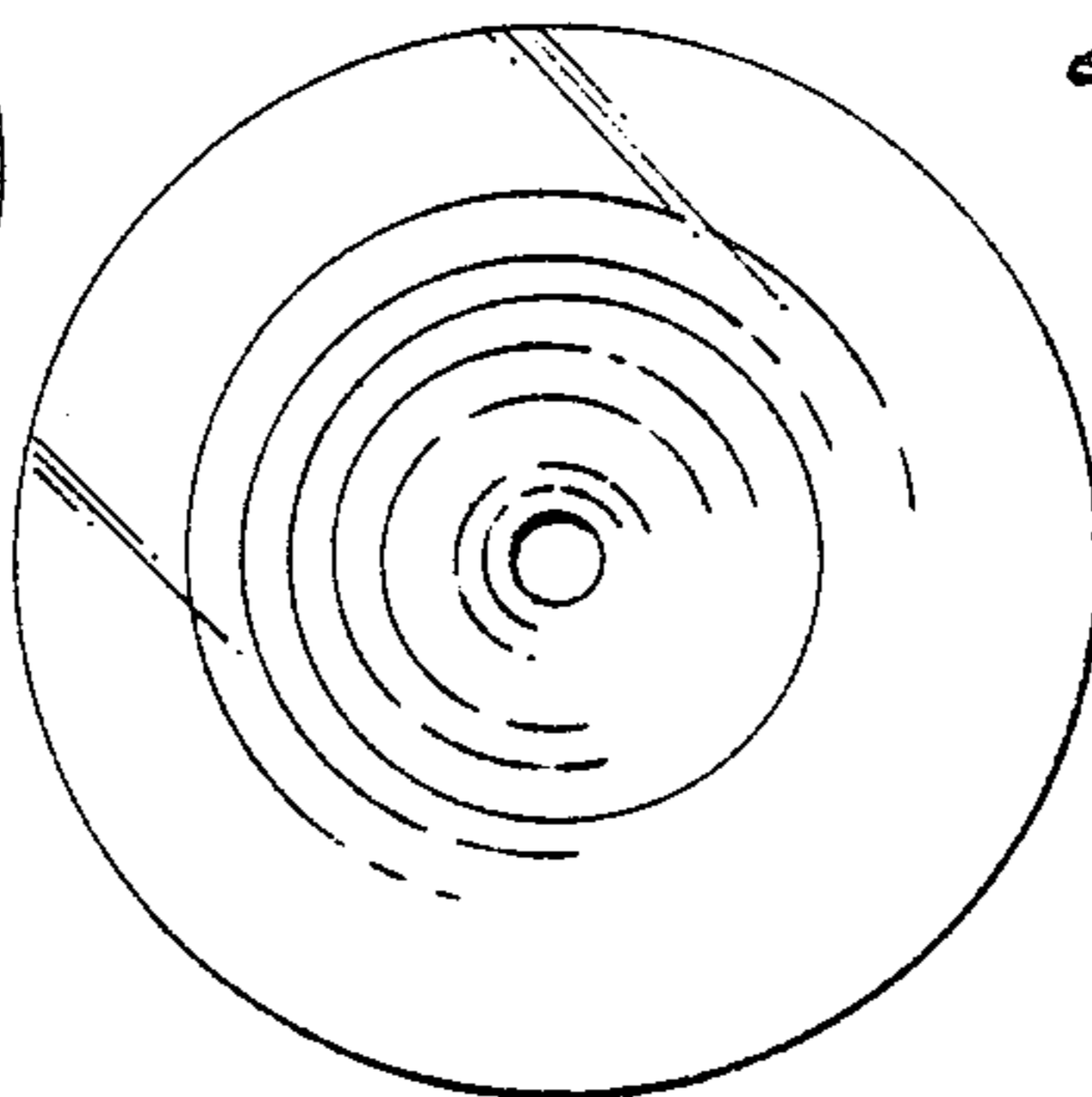


FIG. 4.