

[54] COMBINED LIGHT AND RADIO RECEIVER

[75] Inventor: Keiichi Ohashi, Shizuoka, Japan

[73] Assignee: Skylite Industry Co., Ltd., Japan

[\*\*] Term: 14 Years

[21] Appl. No.: 449,219

[22] Filed: Dec. 13, 1982

[52] U.S. Cl. .... D26/38

[58] Field of Search ..... D26/37-50,  
D26/52; 362/157, 158, 183, 184, 186-192,  
194-208, 86

[56] References Cited

U.S. PATENT DOCUMENTS

D. 233,689 11/1974 Mizuno ..... D26/38  
D. 241,368 9/1976 Takano et al. .... D26/38

Primary Examiner—Susan J. Lucas  
Attorney, Agent, or Firm—Cantor and Lessler

[57] CLAIM

The ornamental design for combined light and radio receiver, as shown.

DESCRIPTION

FIG. 1 is a perspective view of combined light and radio receiver embodying my new design; FIG. 2 is a rear elevational view thereof; FIG. 3 is a left side elevational view thereof; FIG. 4 is a right side elevational view thereof; FIG. 5 is a top plan view thereof; and FIG. 6 is a bottom plan view thereof.

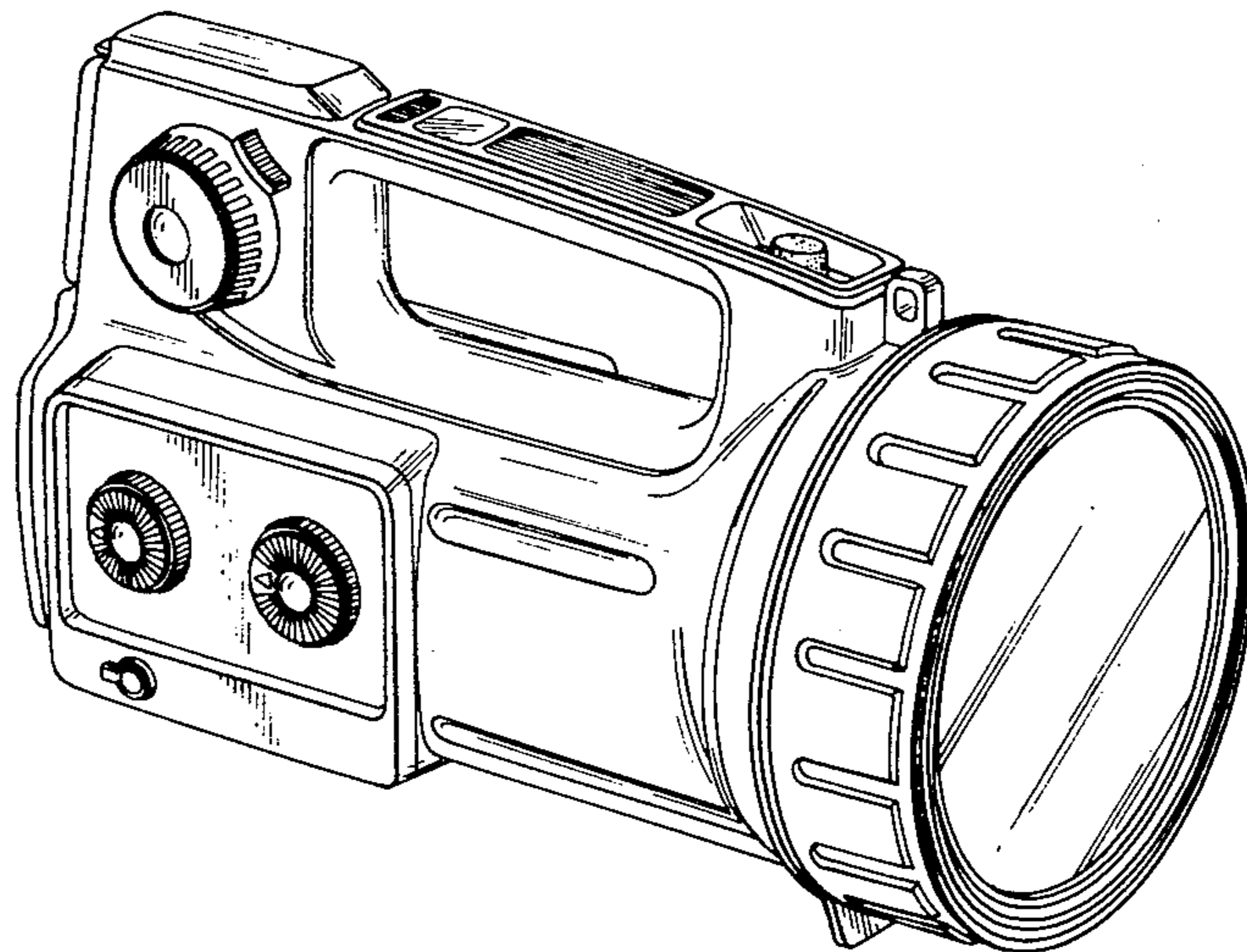


FIG. 1

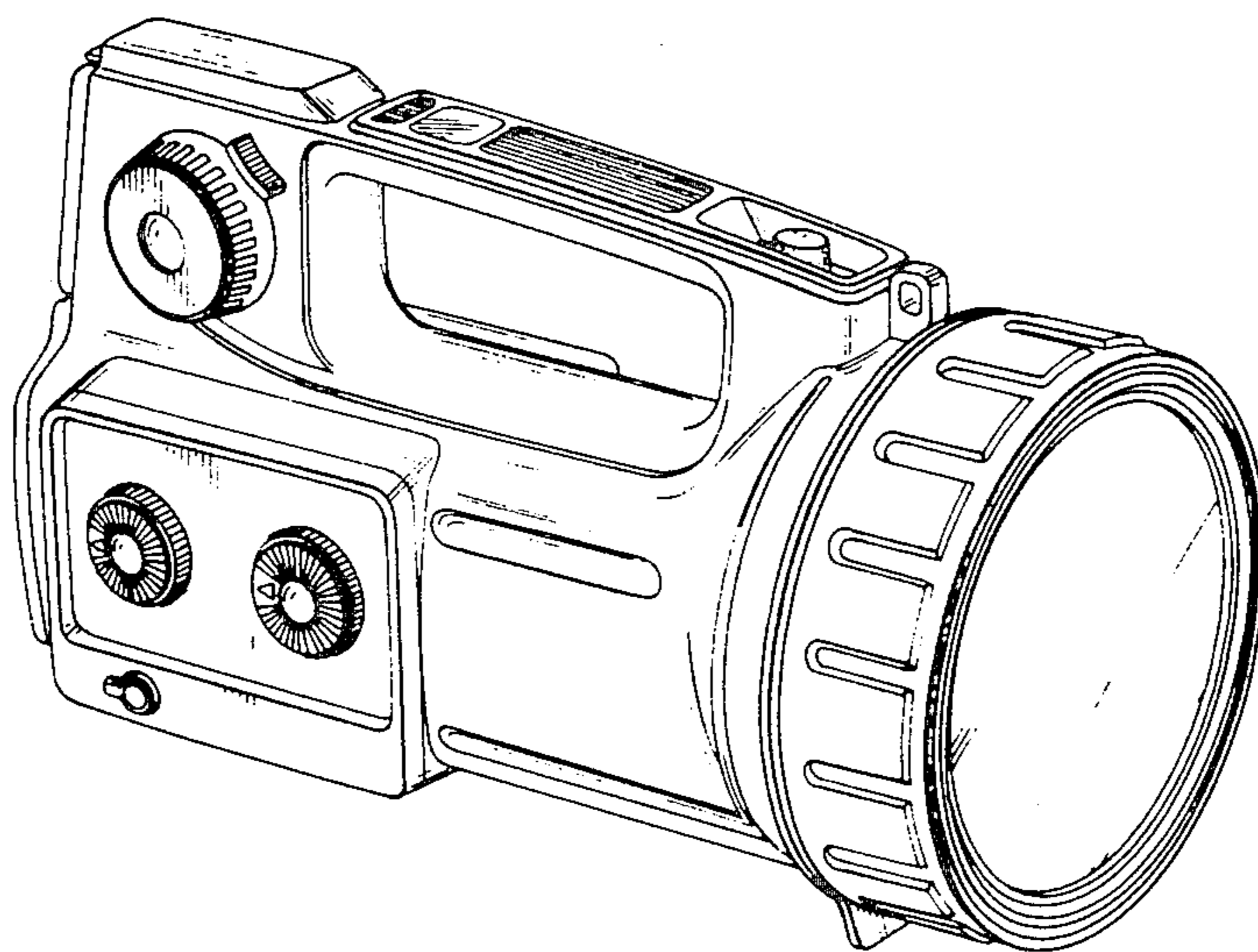


FIG. 2

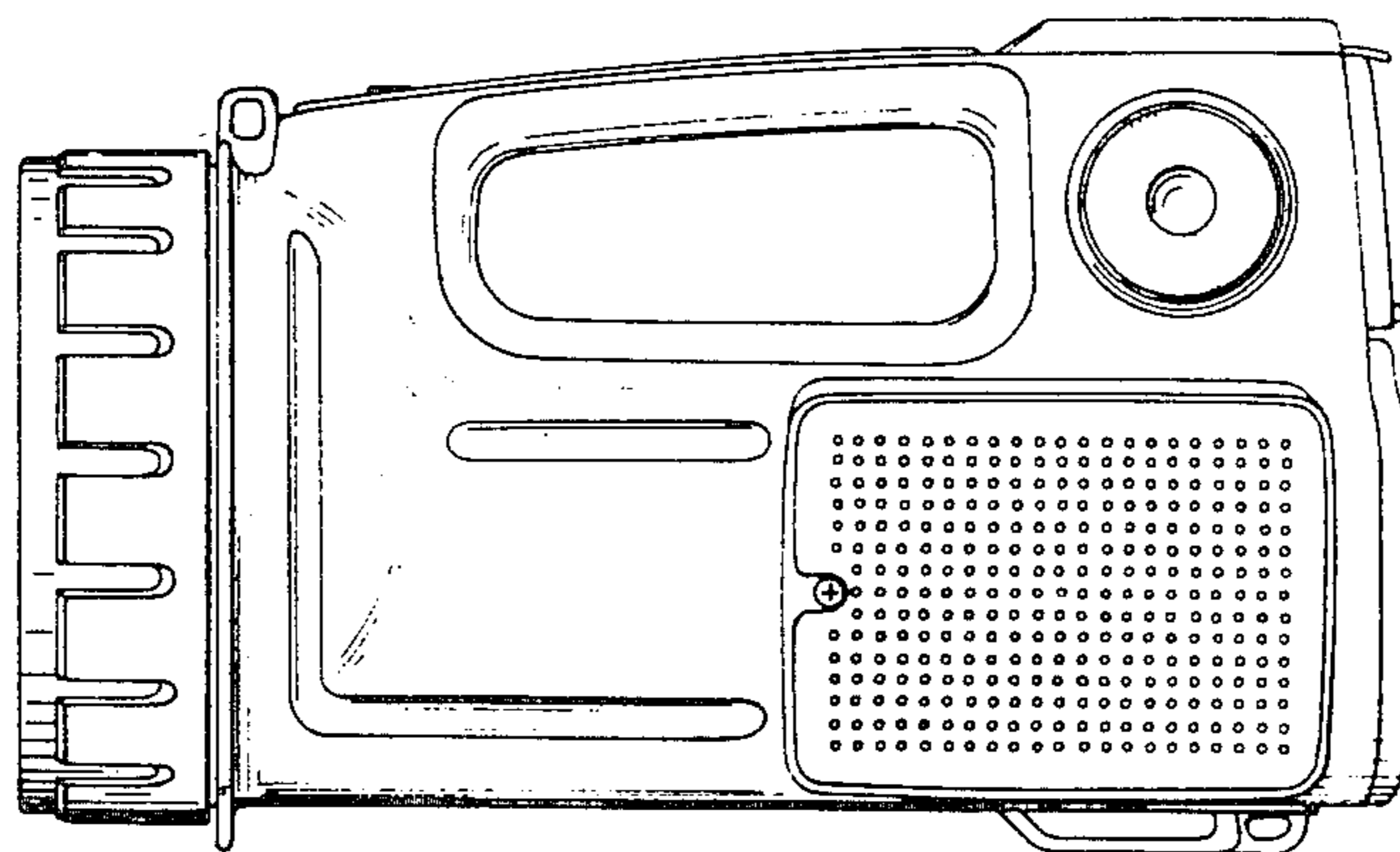


FIG. 3

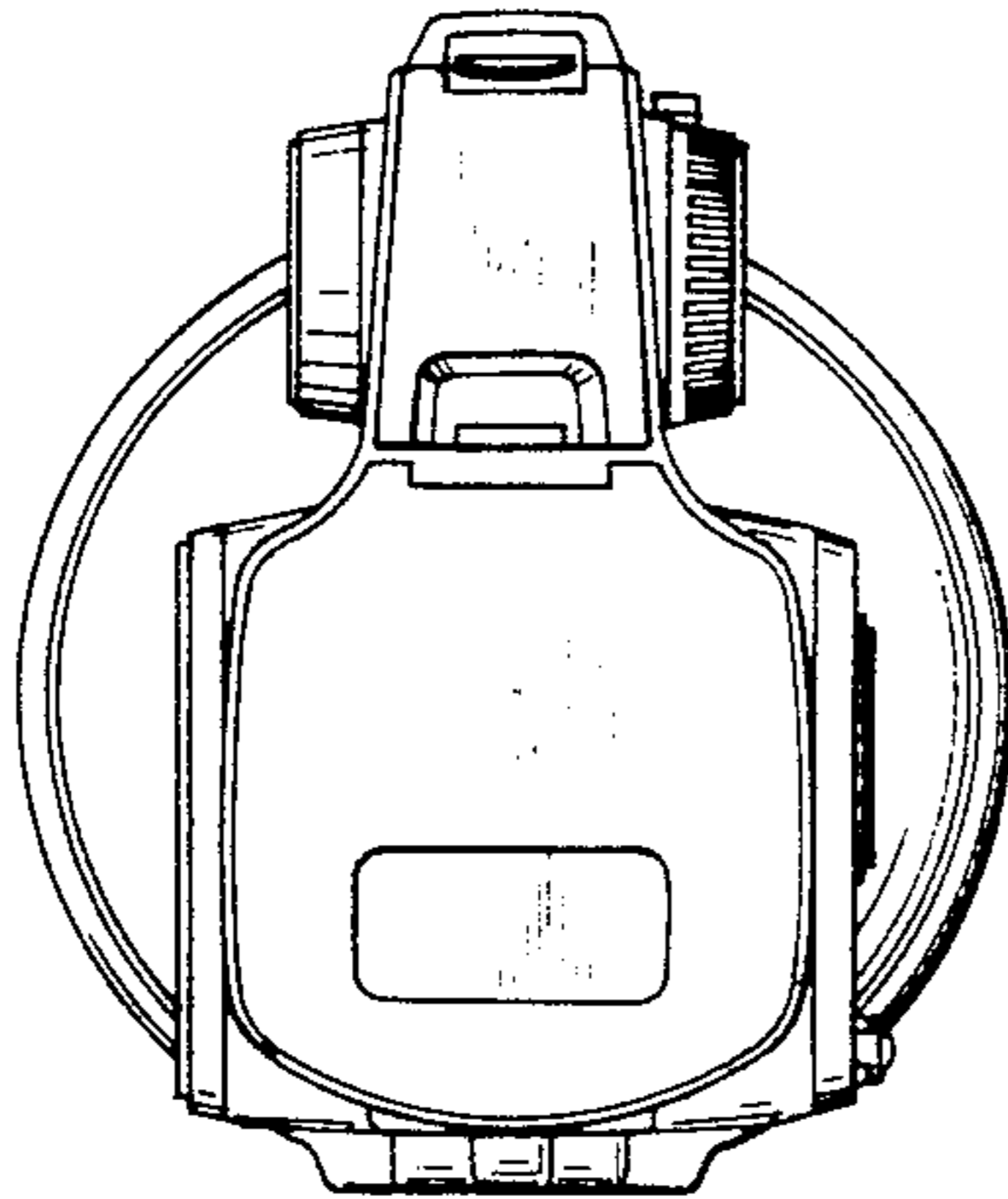


FIG. 4

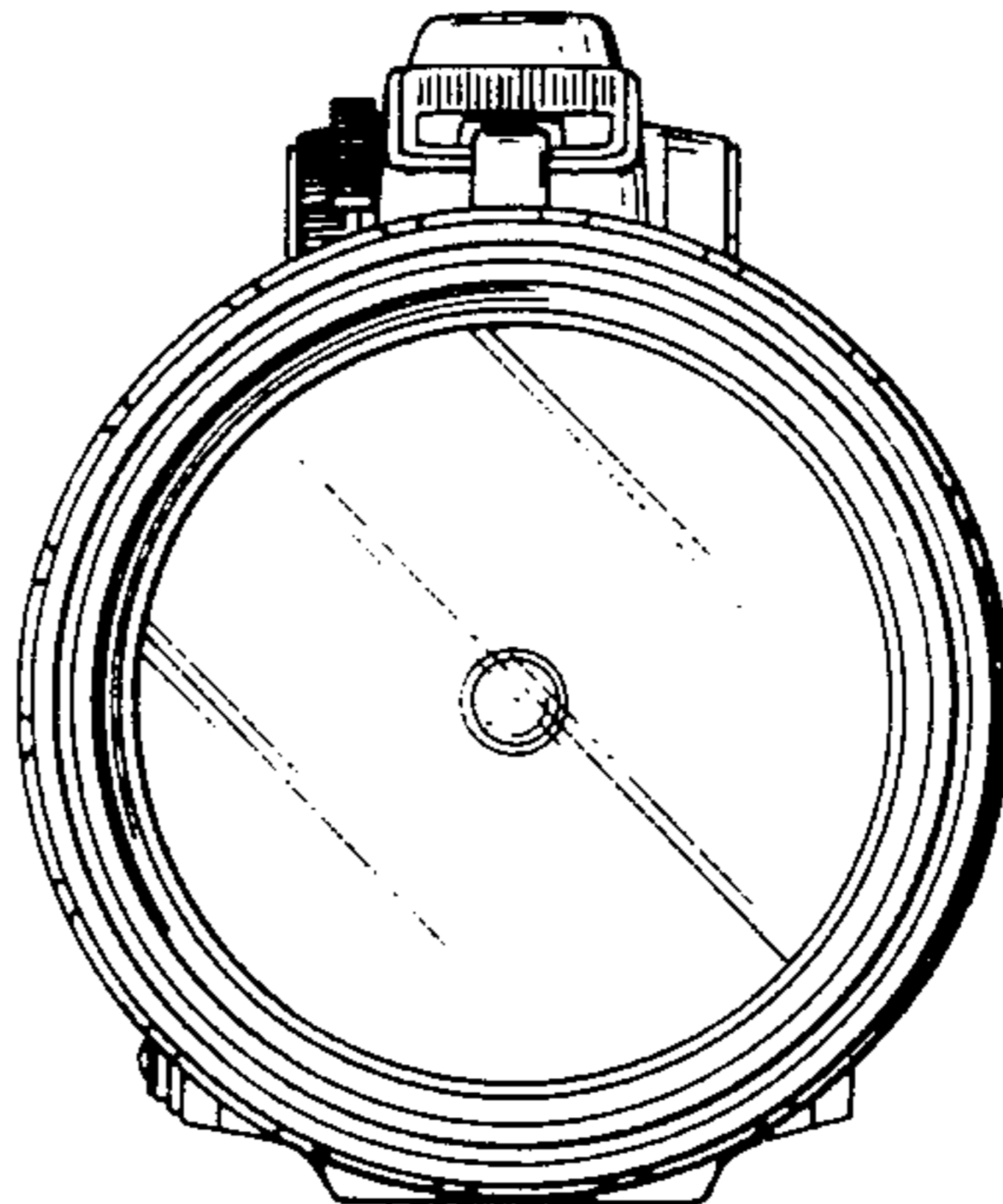


FIG. 5

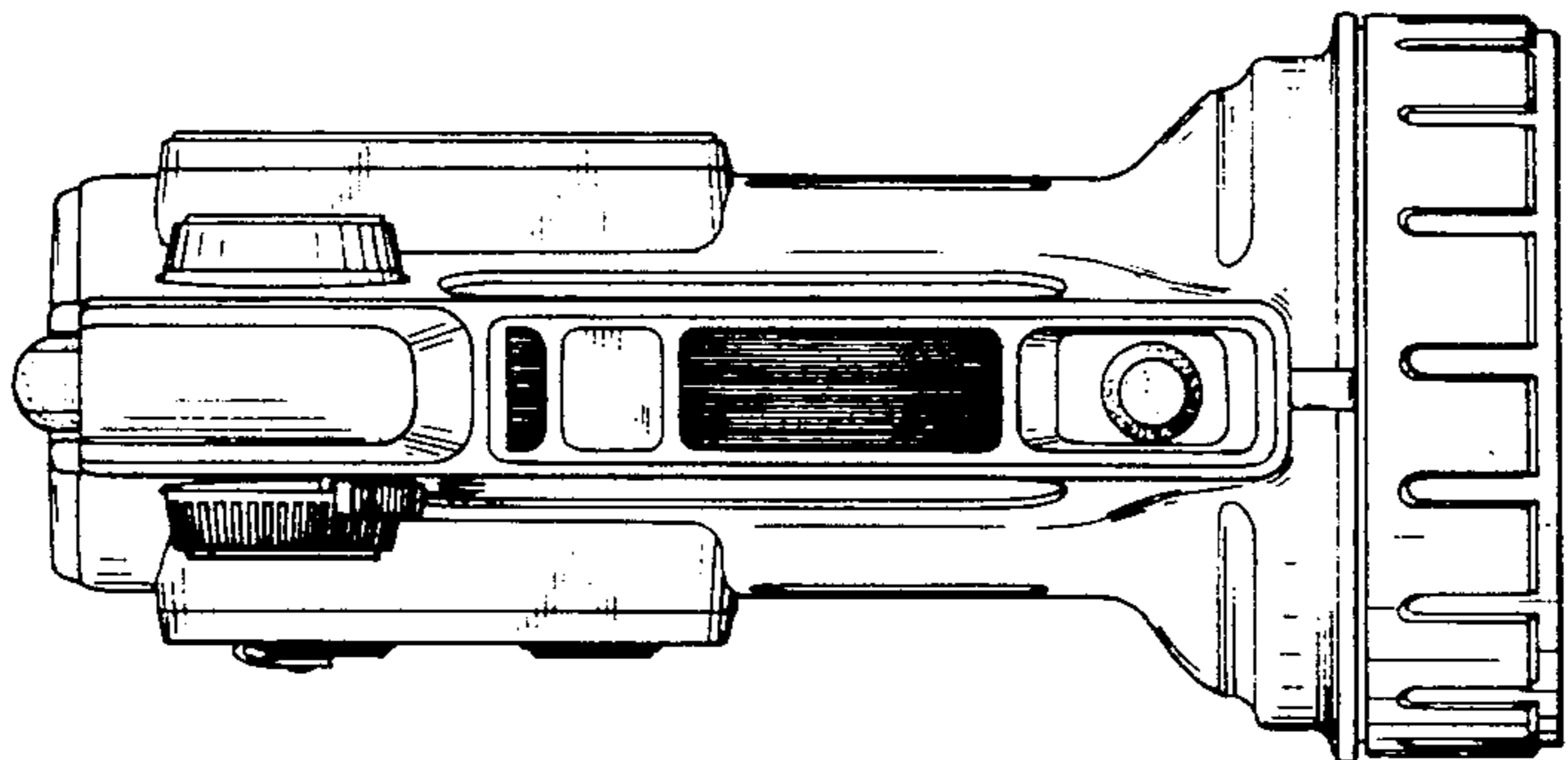


FIG. 6

