

[54] COMBINED FAUCET HANDLE AND SPOUT

D. 276,065 10/1984 Stairs, Jr. .... D23/28

[76] Inventor: Manfred Rademacher,  
Freiligrathstrasse 19, 4 Dusseldorf,  
Fed. Rep. of Germany

[\*\*] Term: 14 Years

[21] Appl. No.: 468,856

[22] Filed: Feb. 22, 1983

[30] Foreign Application Priority Data

Nov. 26, 1982 [DE] Fed. Rep. of Germany ..... 5177

[52] U.S. Cl. .... D23/23

[58] Field of Search ..... D23/23-32;  
D8/307-310, 312; 4/191, 192; 137/606, 801;  
251/155

[56] References Cited

U.S. PATENT DOCUMENTS

D. 271,514 11/1983 Paul ..... D23/25  
D. 271,704 12/1983 Paul ..... D23/23

OTHER PUBLICATIONS

Paul Associates Catalog, pp. 6 & 7.

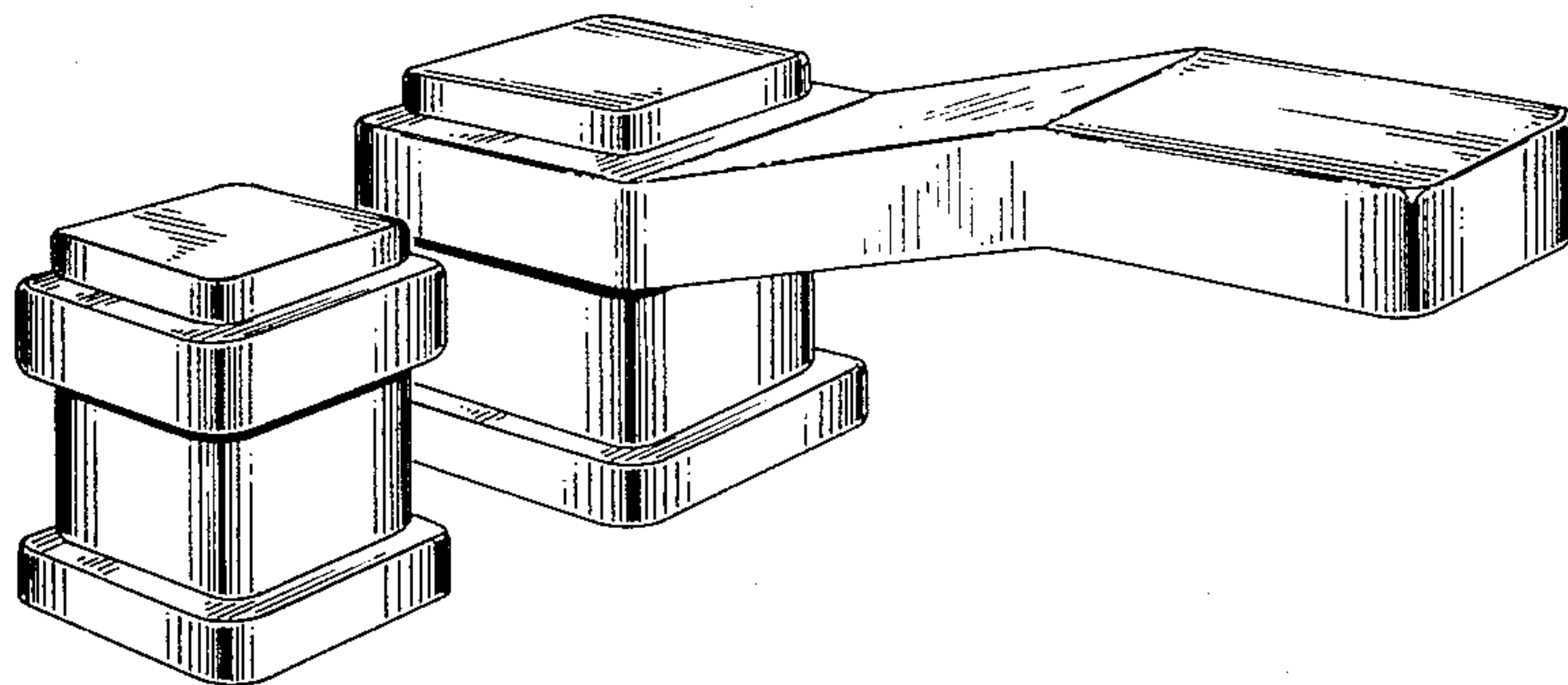
Primary Examiner—James R. Largen  
Attorney, Agent, or Firm—Darby & Darby

[57] CLAIM

The ornamental design for a combined faucet handle and spout, as shown and described.

DESCRIPTION

FIG. 1 is a perspective view of a combined faucet handle and spout showing my new design; FIG. 2 is a top view of the spout; FIG. 3 is a right view of FIG. 2, the left side being a mirror image of the side shown; FIG. 4 is a front view of FIG. 2; FIG. 5 is a rear view of FIG. 2; FIG. 6 is a side view of the faucet handle, the other sides being identical to the side shown; and FIG. 7 is a top view of FIG. 6.



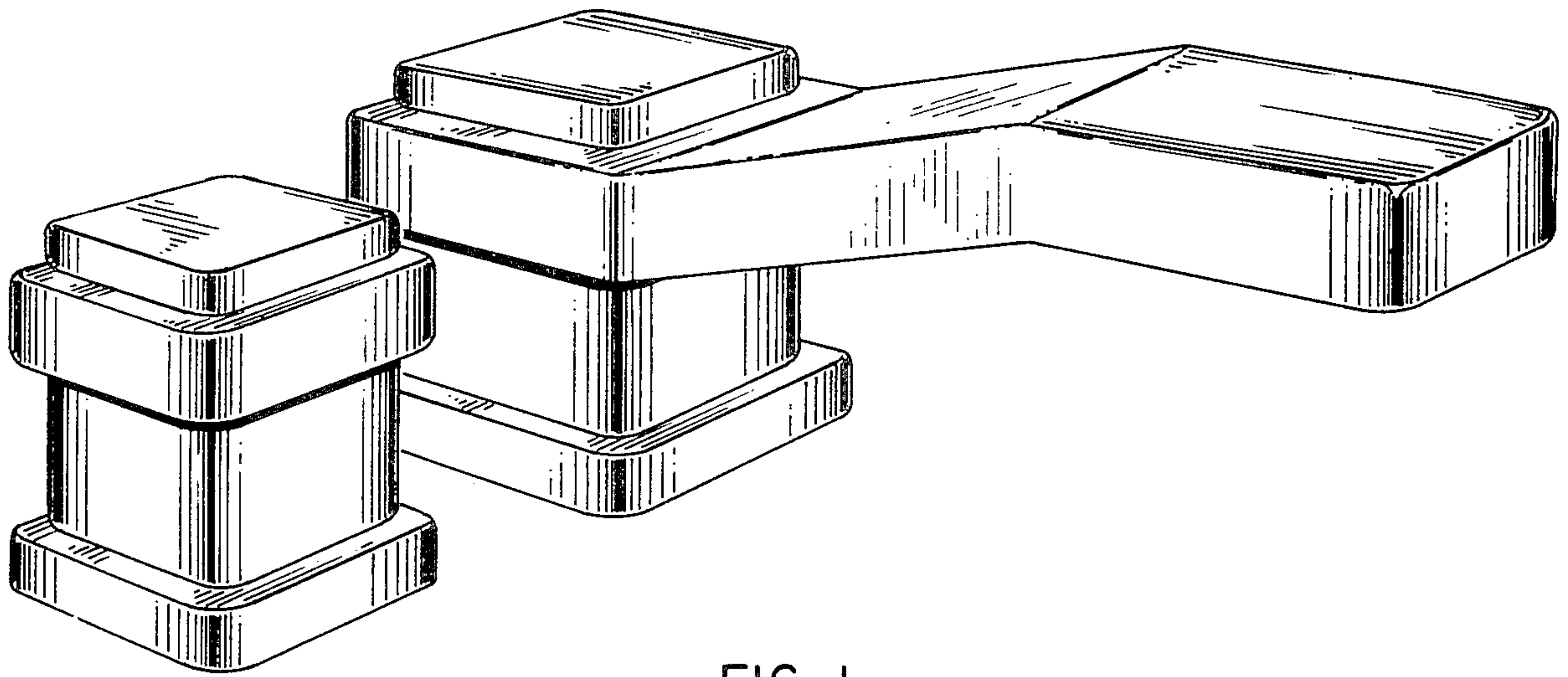


FIG. 1

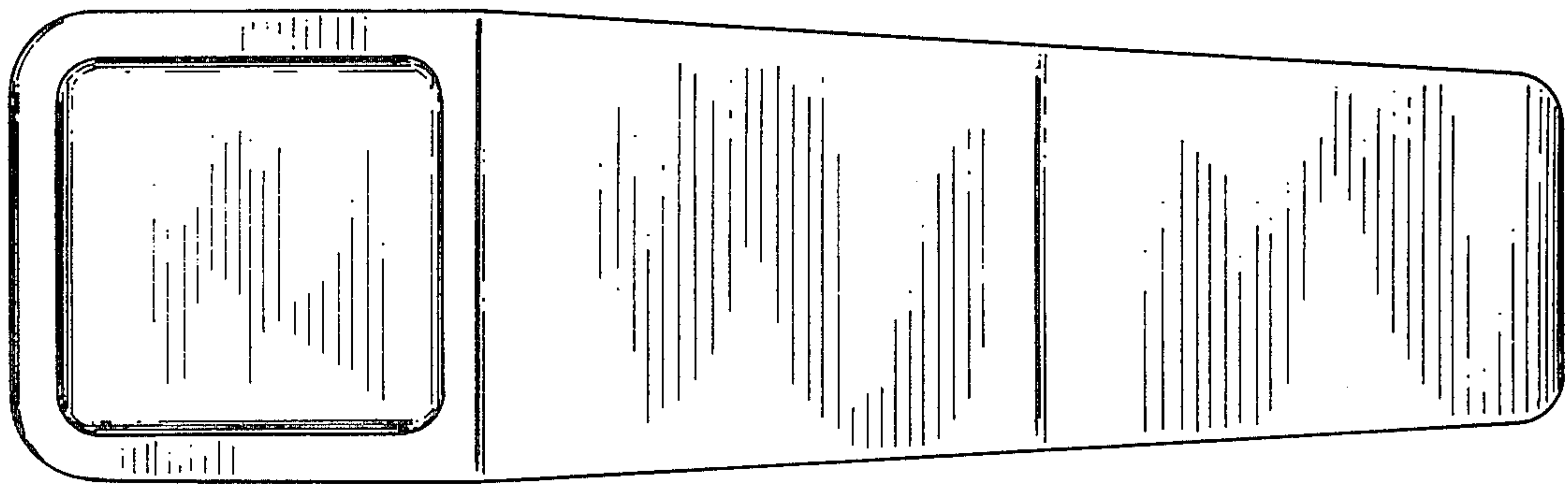


FIG. 2

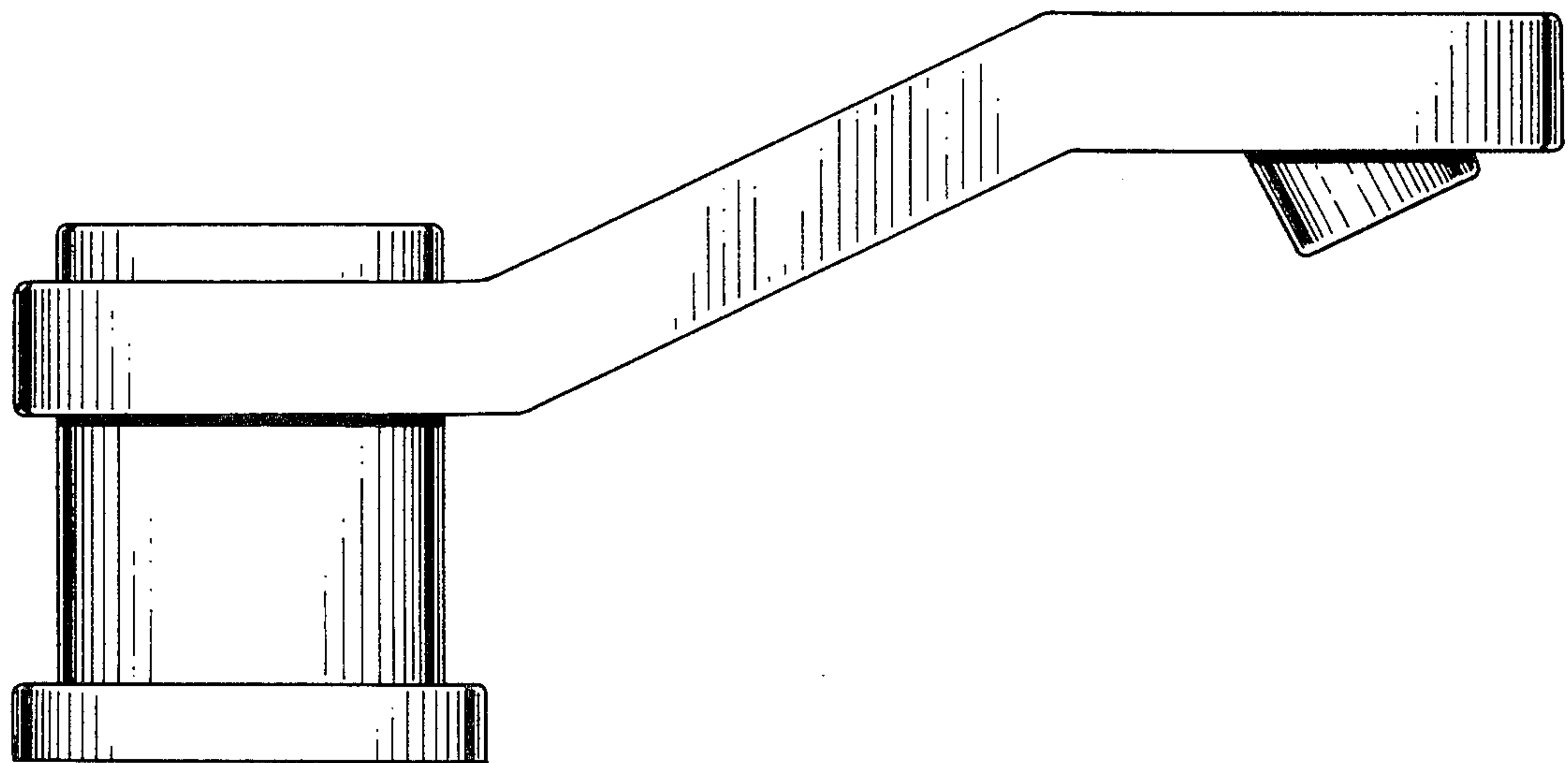


FIG. 3

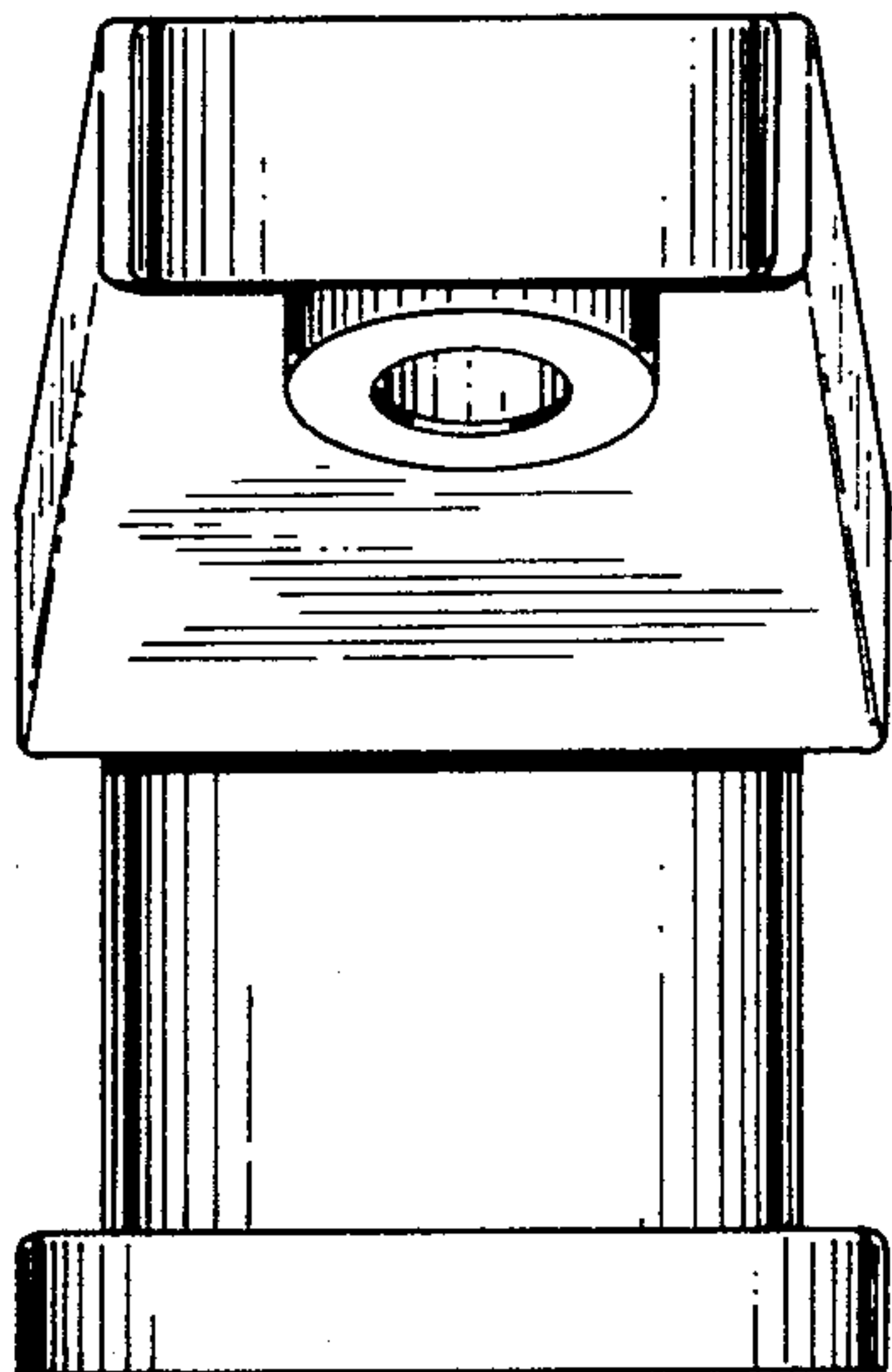


FIG. 4

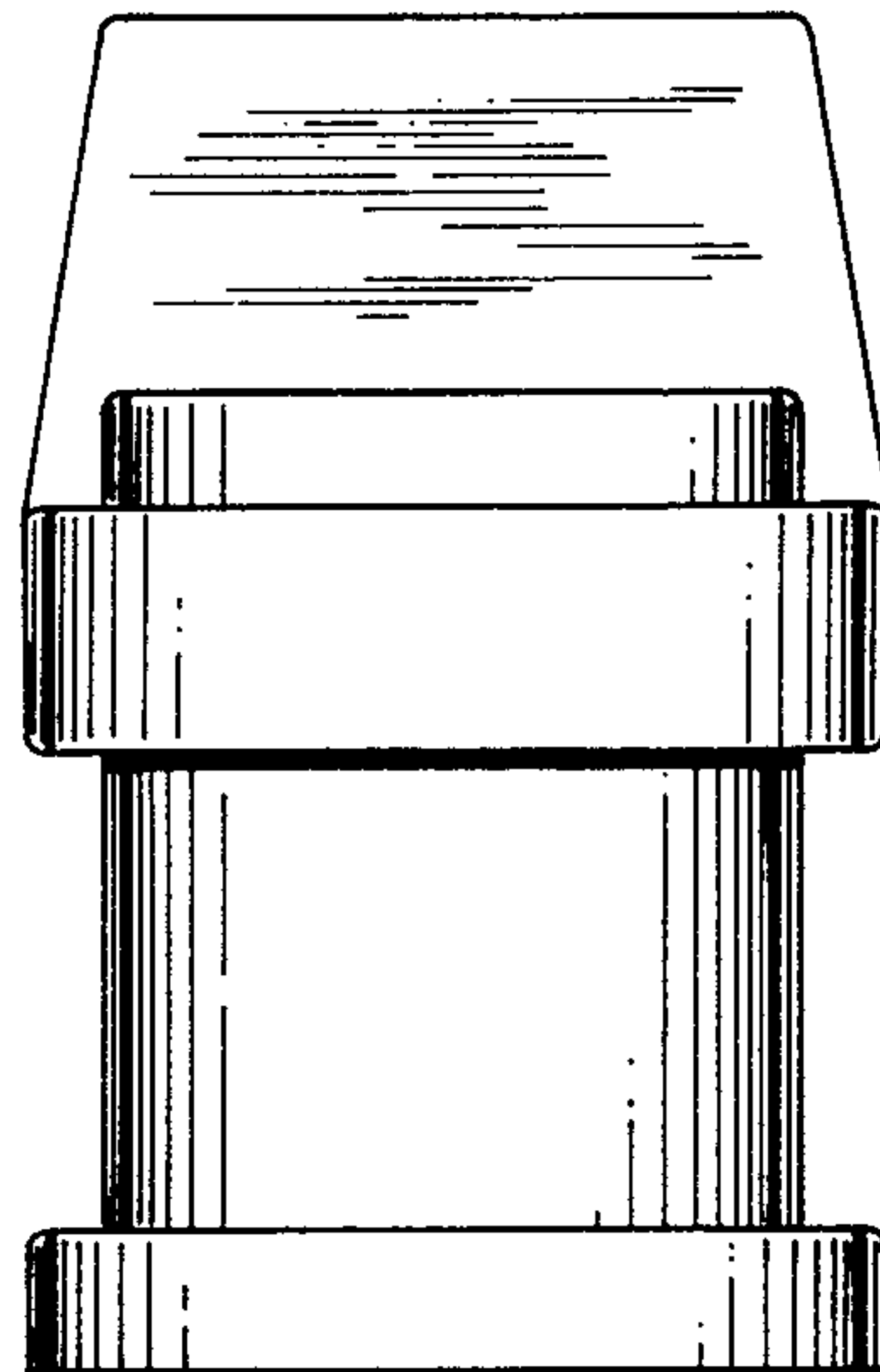


FIG. 5

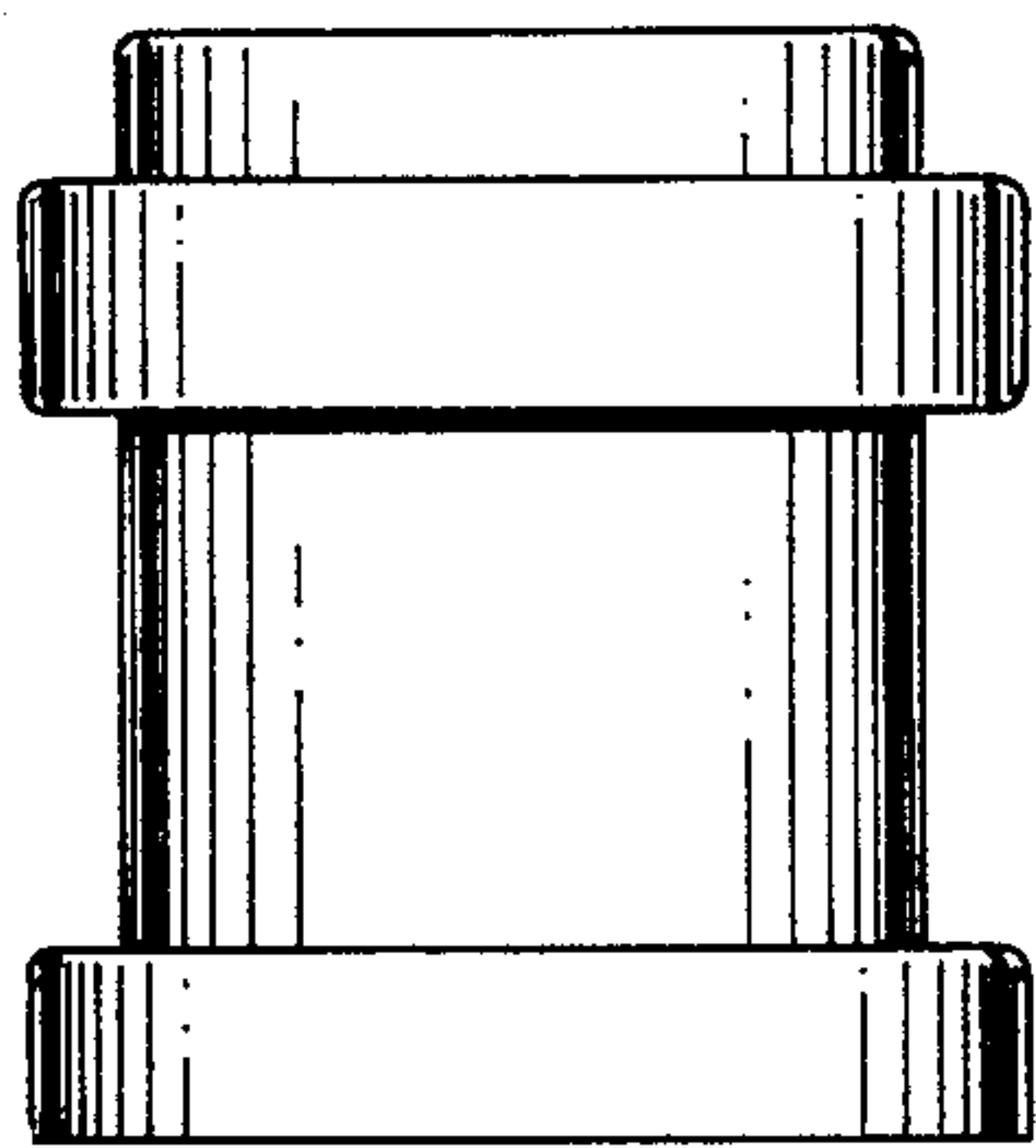


FIG. 6

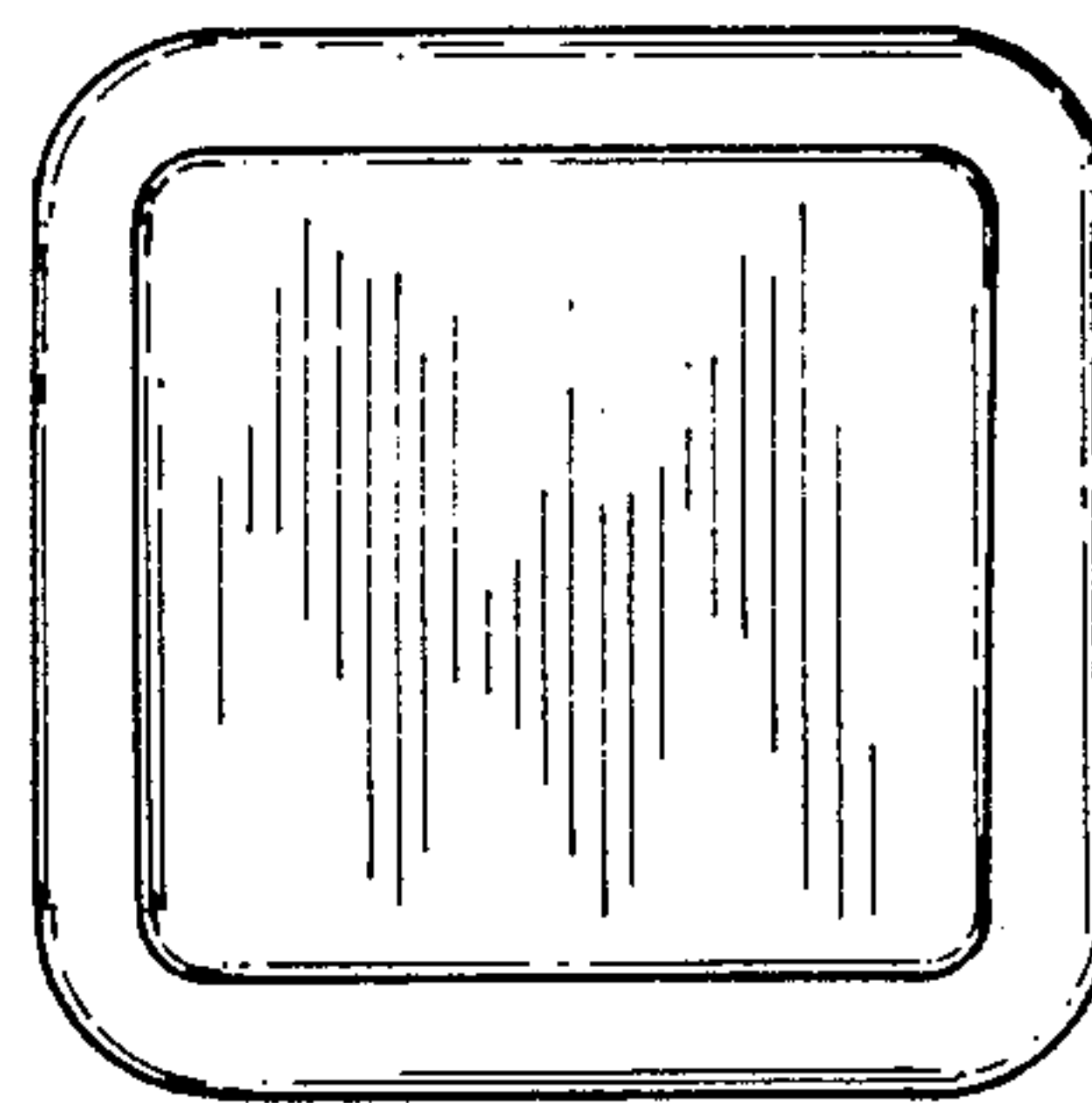


FIG. 7