

[54] **SKI TOE CLAMP**

[75] **Inventors:** **Herbert H. Schultes,**  
Fürstenfeldbruck; **Edwin Wahl,**  
Munich, both of Fed. Rep. of  
Germany

[73] **Assignee:** **Marker International Company,** Salt  
Lake City, Utah

[\*\*] **Term:** **14 Years**

[21] **Appl. No.:** **374,291**

[22] **Filed:** **May 3, 1982**

[30] **Foreign Application Priority Data**

Nov. 3, 1981 [DE] Fed. Rep. of Germany ... MR 18 675

[52] **U.S. Cl.** ..... **D21/230**

[58] **Field of Search** ..... D21/230, 229; 280/611,  
280/613, 616, 617, 618

[56] **References Cited**

**U.S. PATENT DOCUMENTS**

D. 209,762 1/1968 Vöster et al. .... D21/230

D. 268,945 5/1983 Beyl ..... D21/230  
D. 274,077 5/1984 Segers et al. .... D21/230

**OTHER PUBLICATIONS**

Abitare, 1-1979, p. 71, Toe Clip for Ski Binding.  
Ski Flash Magazine, 3-1978, inside cover, "Marker" ad,  
Toe Clip.

Tyrolia Flier, 12-1981, Toe Clip #360R.

*Primary Examiner*—Charles A. Rademaker

*Attorney, Agent, or Firm*—D. Peter Hochberg

[57] **CLAIM**

The ornamental design for a ski toe clamp, as shown  
and described.

**DESCRIPTION**

FIG. 1 is a perspective view of a ski toe clamp showing  
our new design;

FIG. 2 is a top plan view thereof;

FIG. 3 is a front elevational view thereof;

FIG. 4 is a side elevational view thereof, the side oppo-  
site being substantially a mirror image; and

FIG. 5 is a rear elevational view thereof.

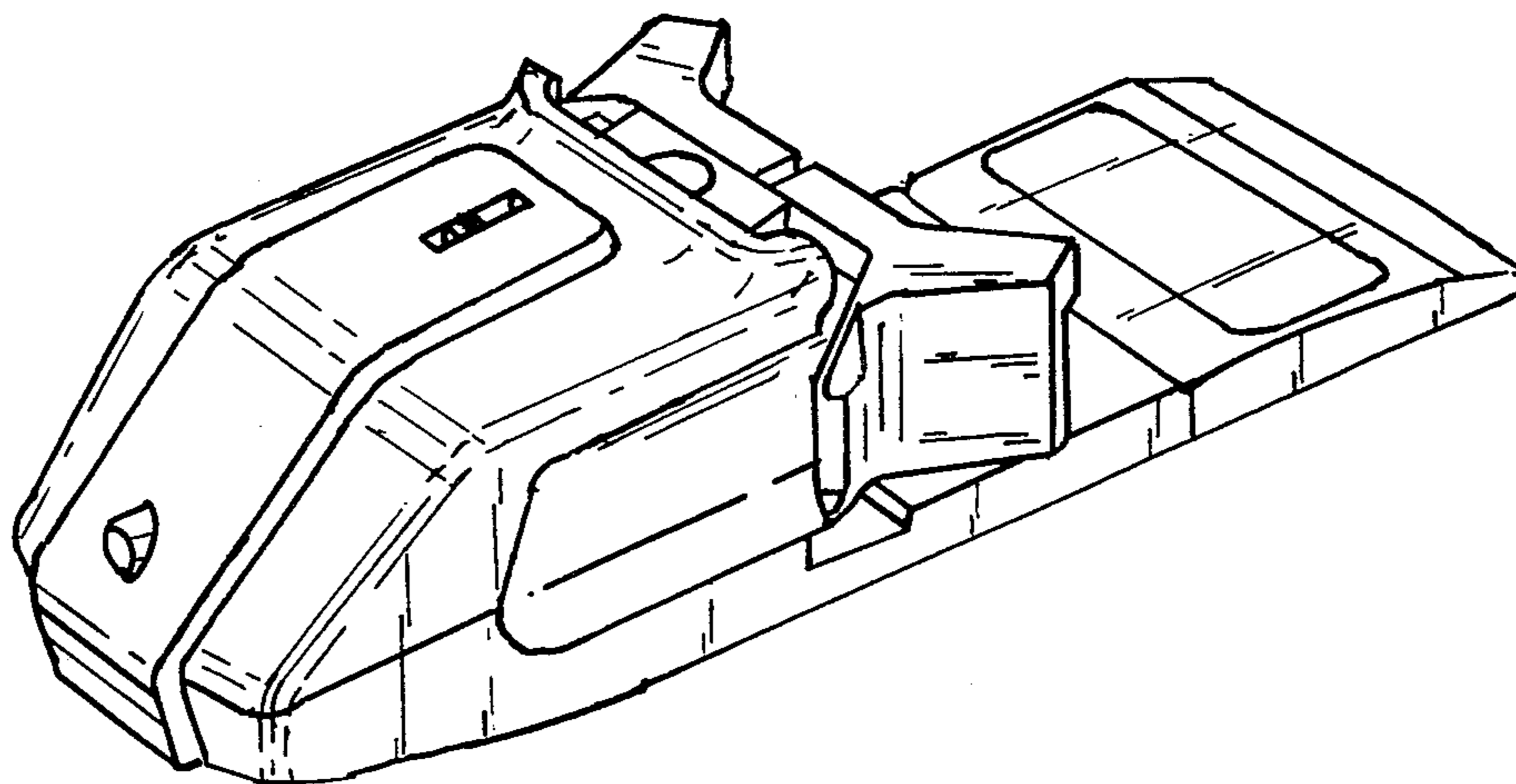


FIGURE 1

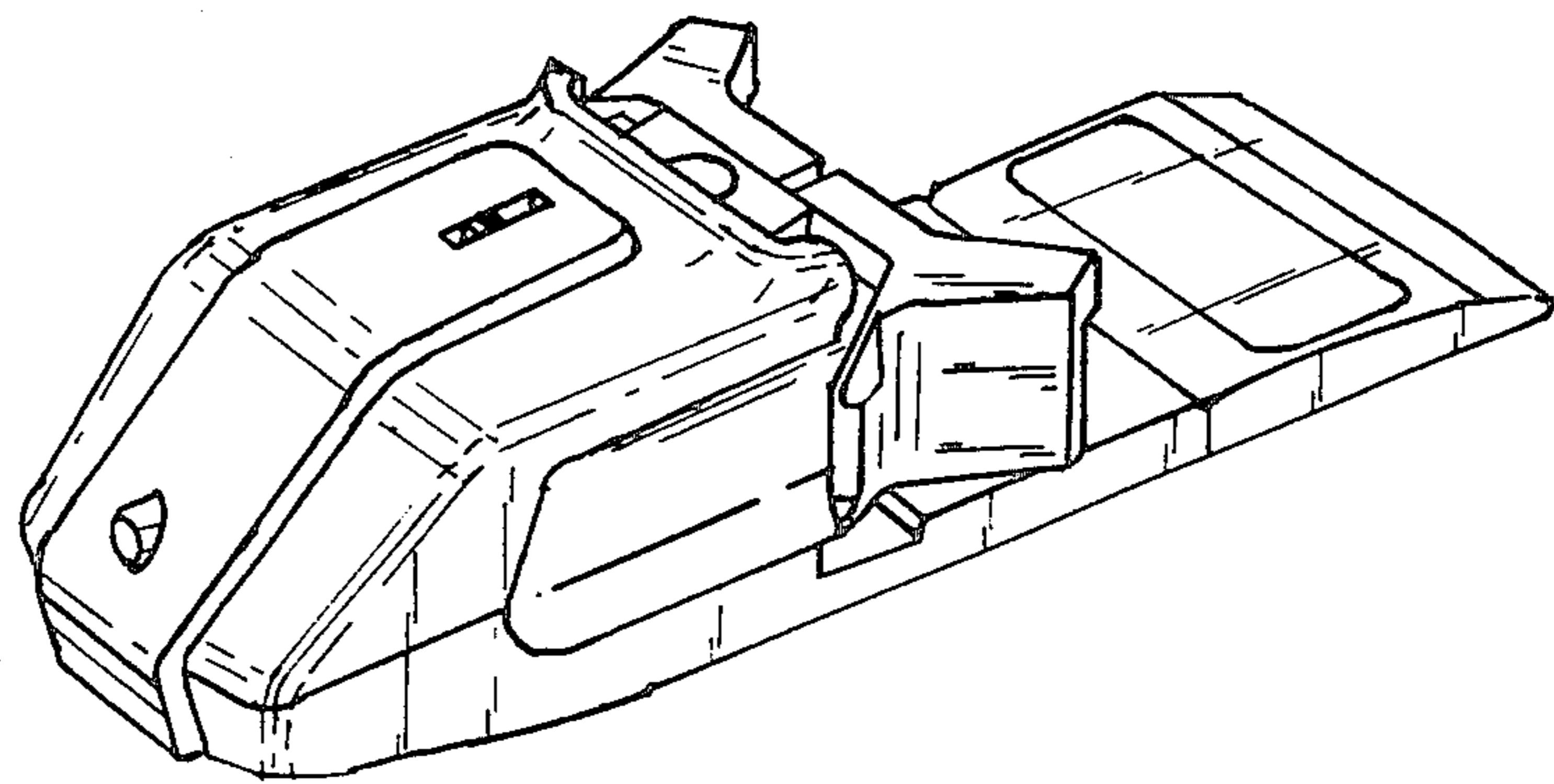


FIG. 2

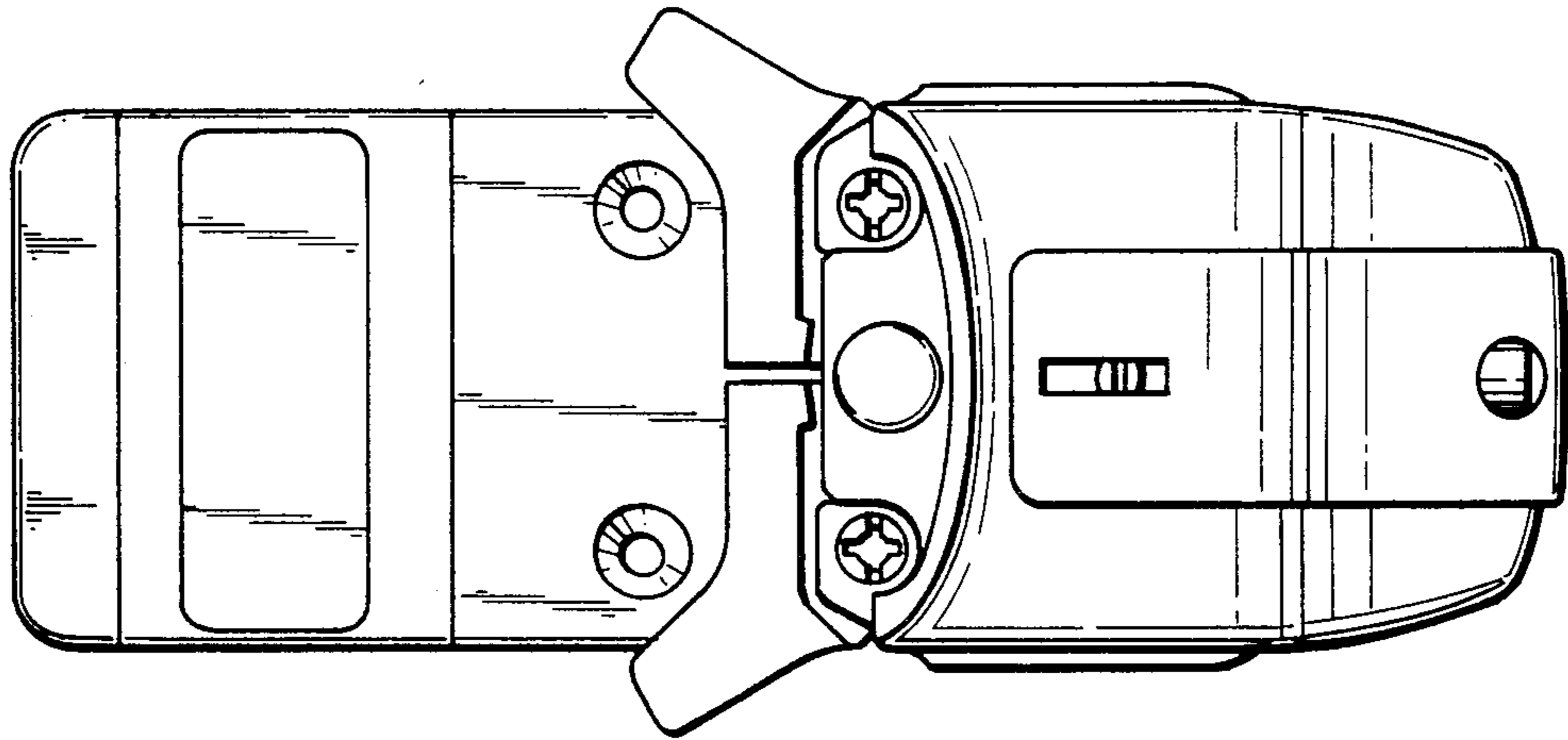


FIG. 3

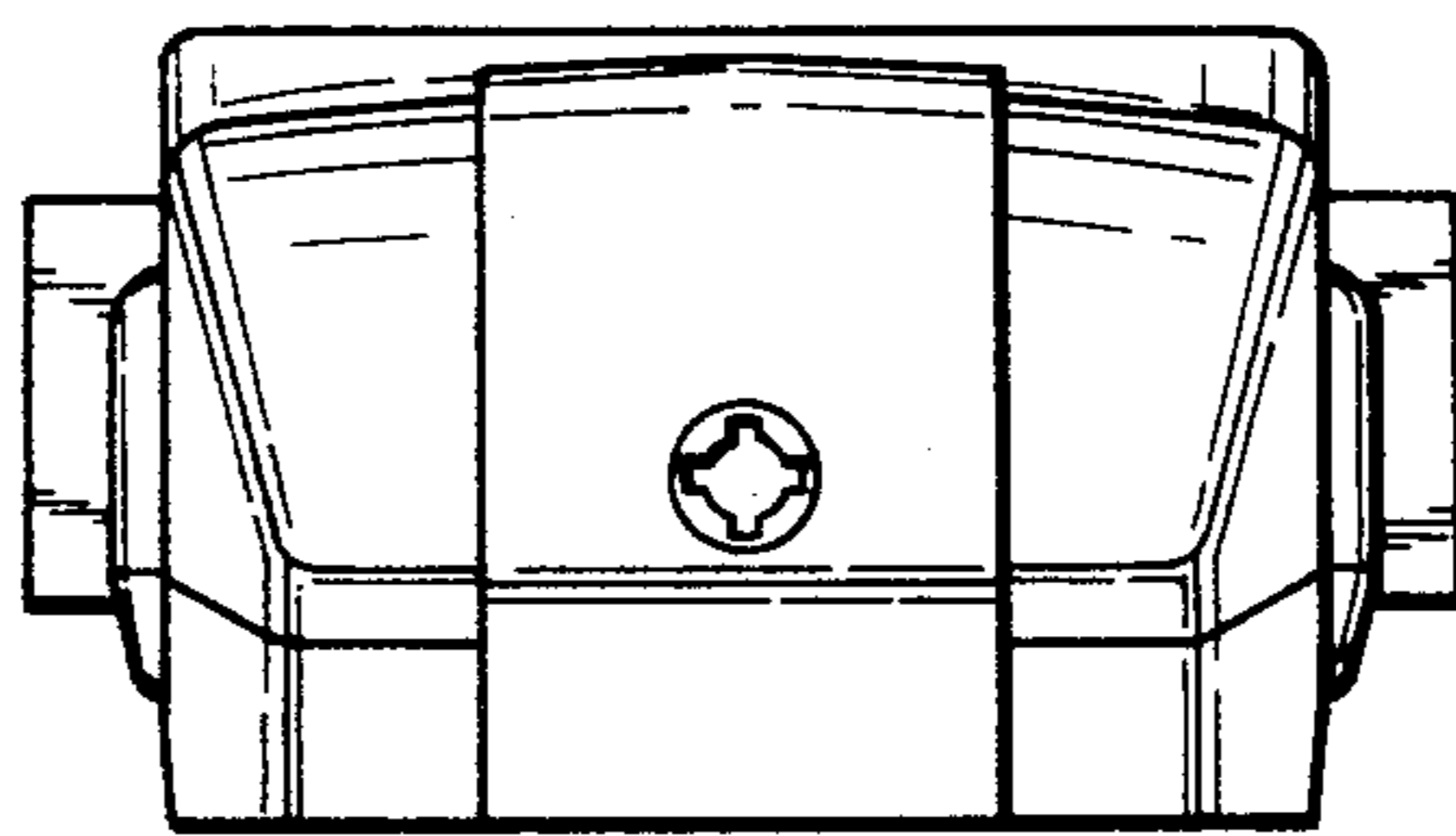


FIG. 4

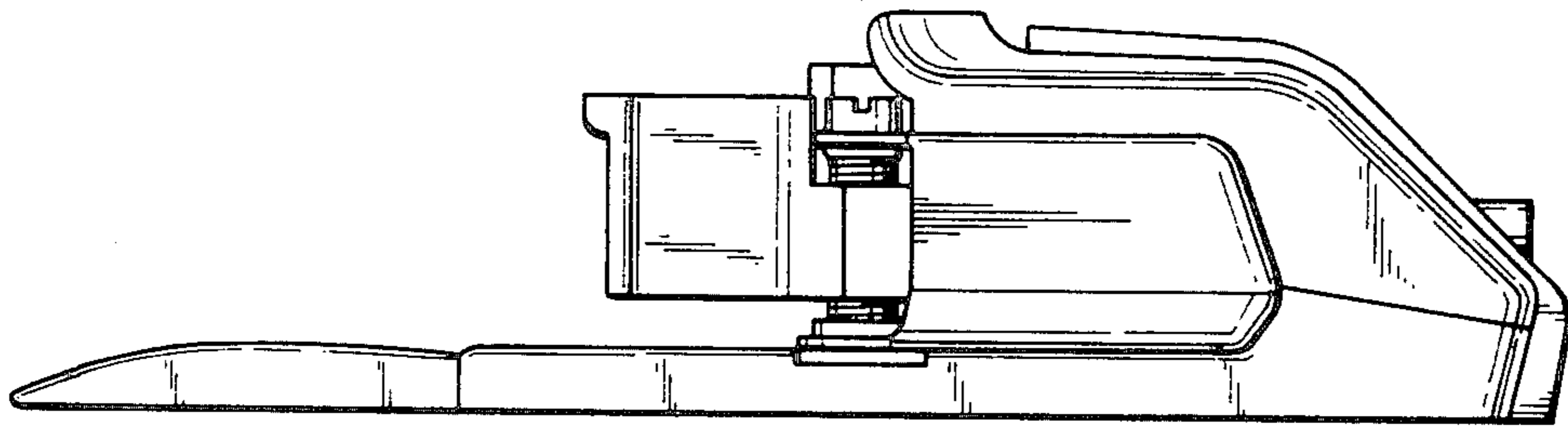


FIG. 5

