

[54] **BARBELL LOCK**

- [75] Inventor: **Tom I. Lincir**, San Pedro, Calif.
- [73] Assignee: **Ivanko Barbell Company**, San Pedro, Calif.
- [**] Term: **14 Years**
- [21] Appl. No.: **465,178**
- [22] Filed: **Feb. 9, 1983**
- [52] U.S. Cl. **D21/191; D21/197**
- [58] Field of Search **D21/191-199; D8/387, 394, 395, 397, 398, 399; 272/123, 122, 116, 124, DIG. 4; 202/306, 320, 321, 327**

[56] **References Cited**

U.S. PATENT DOCUMENTS

D. 263,555	3/1982	Curtis	D8/399
2,244,351	6/1941	Venables	272/123
2,796,269	6/1957	Watson	272/123

OTHER PUBLICATIONS

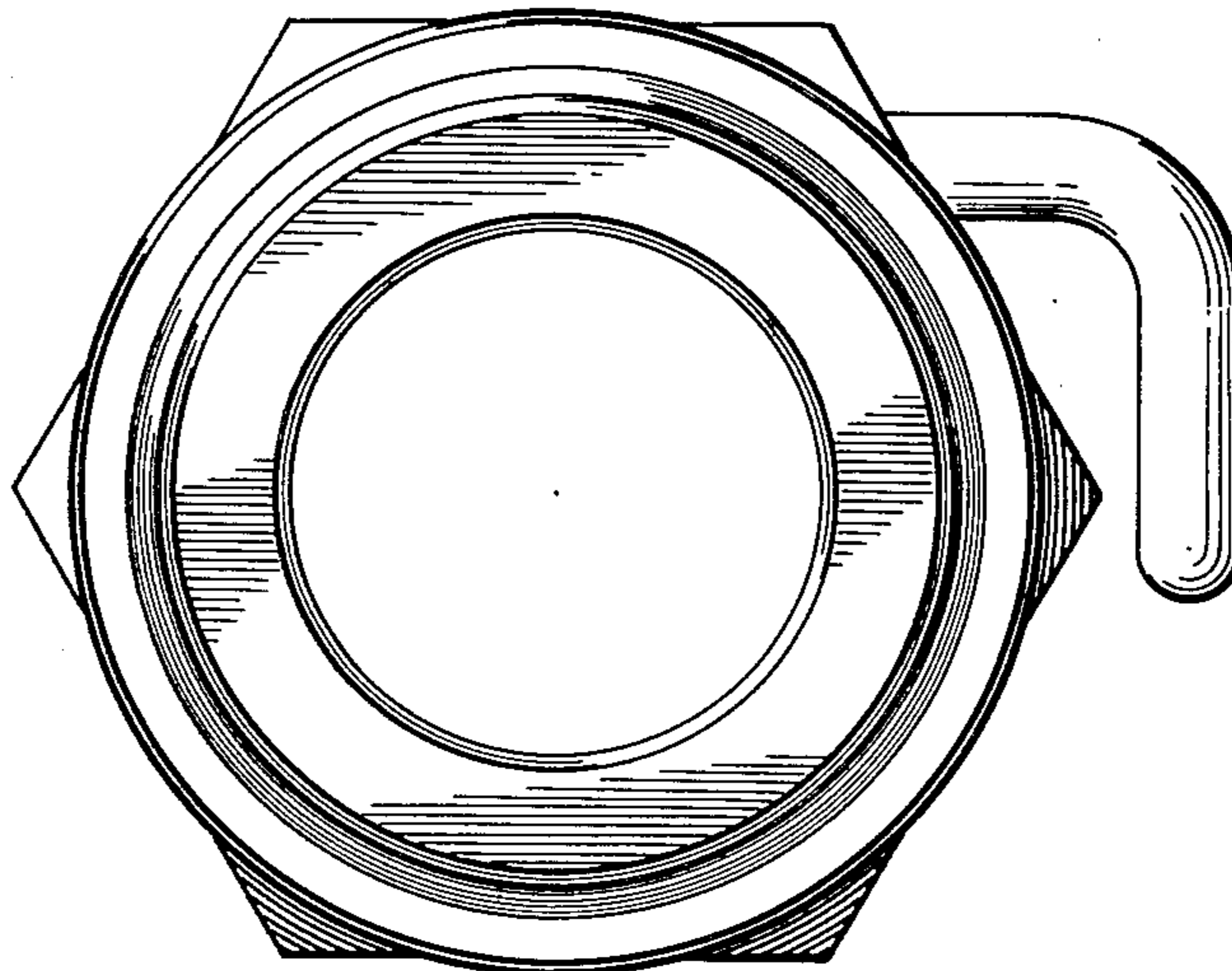
Design News, 2-1961, p. 147, "Drake".
Primary Examiner—Charles A. Rademaker
Attorney, Agent, or Firm—Edward A. Sokolski

[57] **CLAIM**

The ornamental design for a barbell lock, as shown and described.

DESCRIPTION

FIG. 1 is a top plan view of a barbell lock showing my new design;
 FIG. 2 is a side elevational view thereof;
 FIG. 3 is a side elevational view taken 90° from the view of FIG. 2;
 FIG. 4 is a side elevational view taken from the side opposite to that of FIG. 2;
 FIG. 5 is a side elevational view taken from the side opposite to that of FIG. 3; and
 FIG. 6 is a bottom plan view.



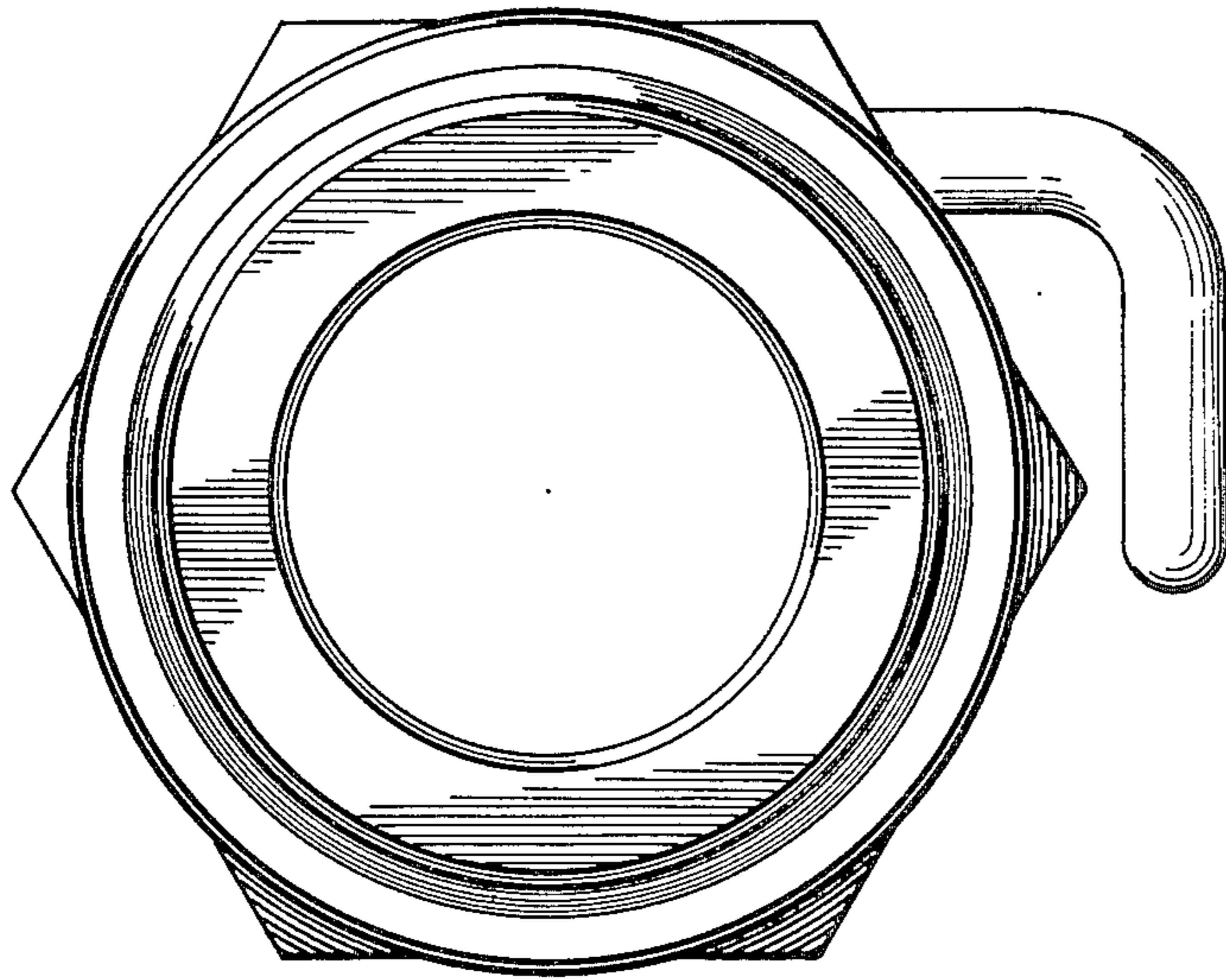


FIG. 1

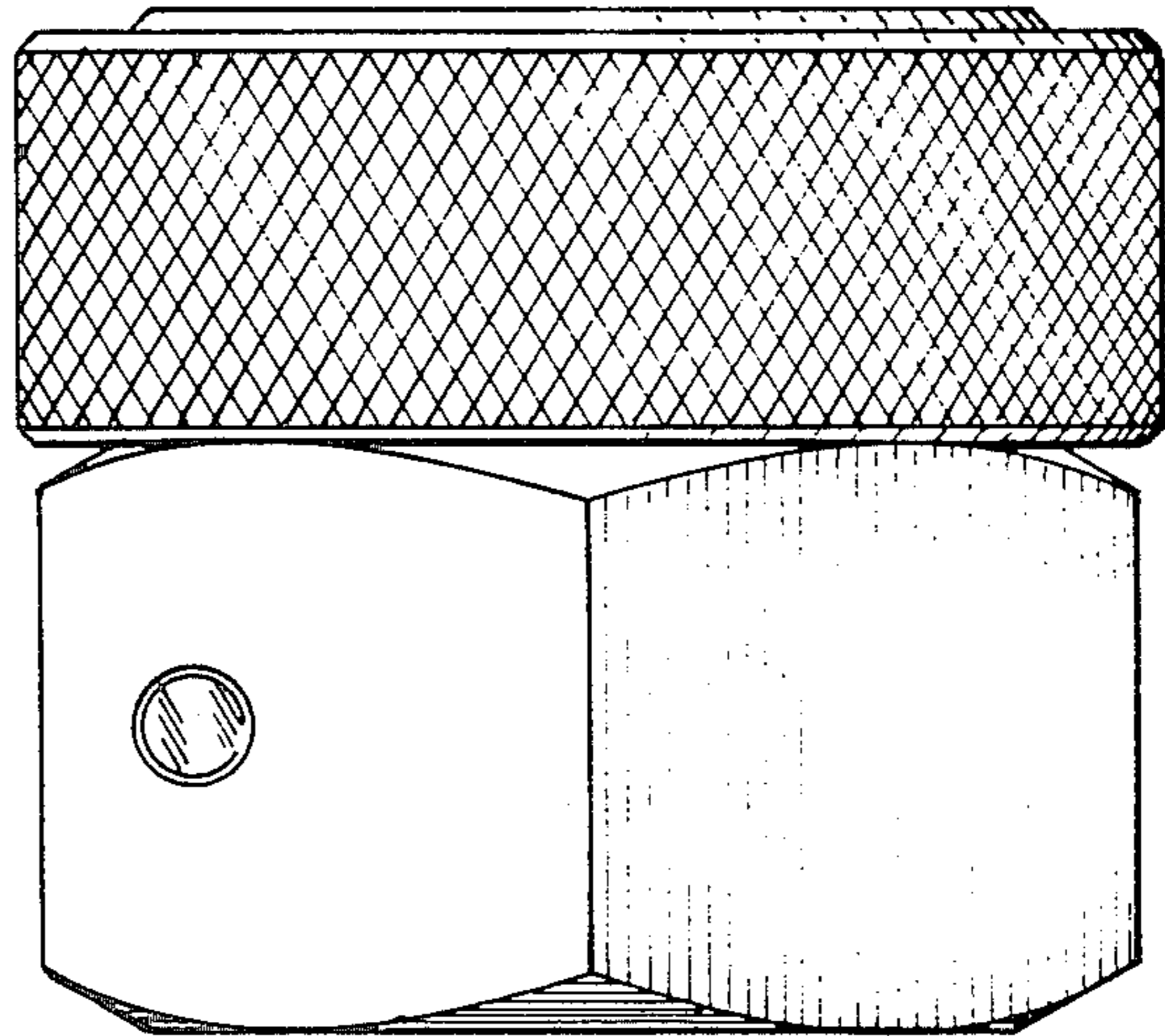


FIG. 3

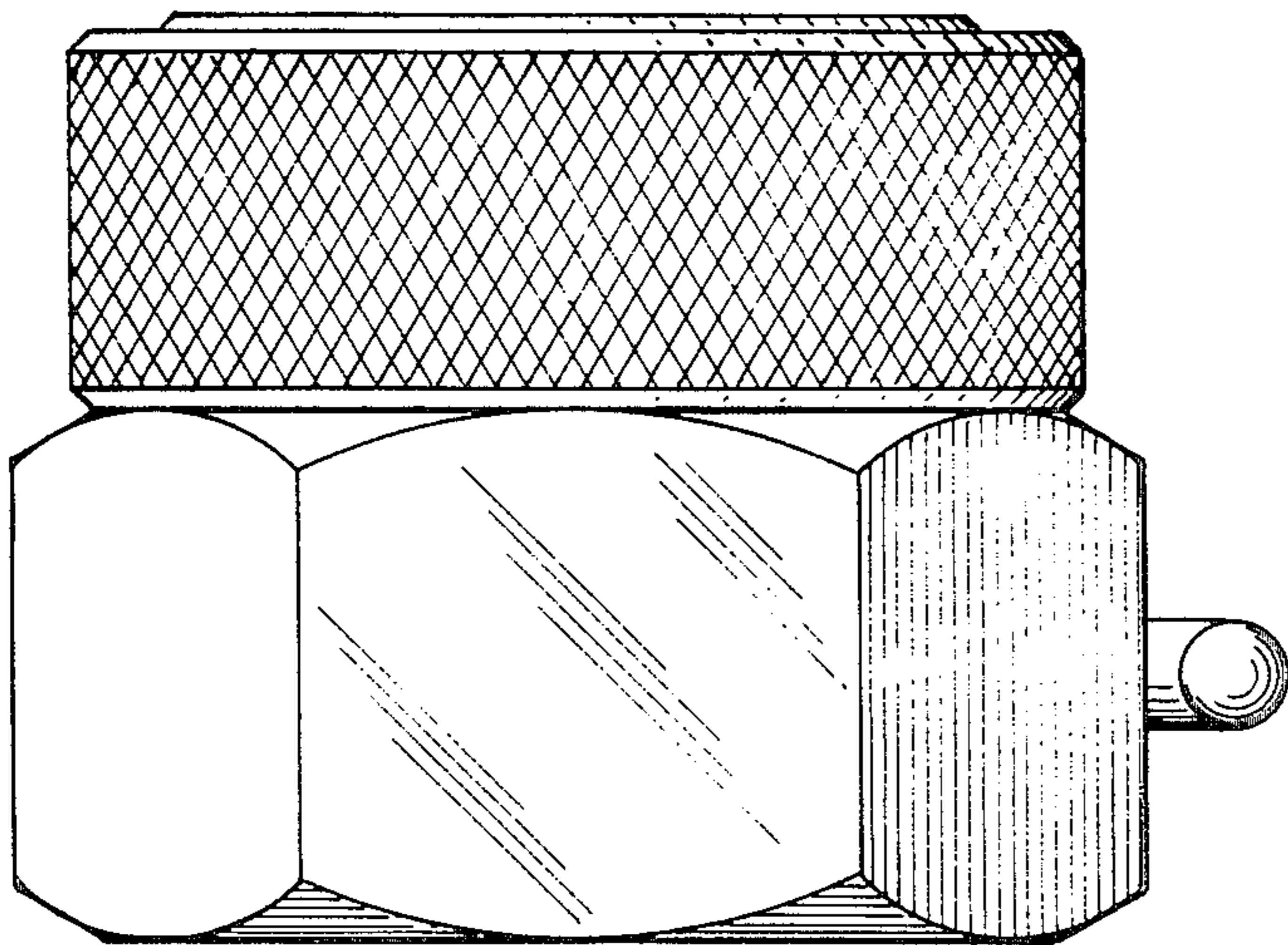


FIG. 2

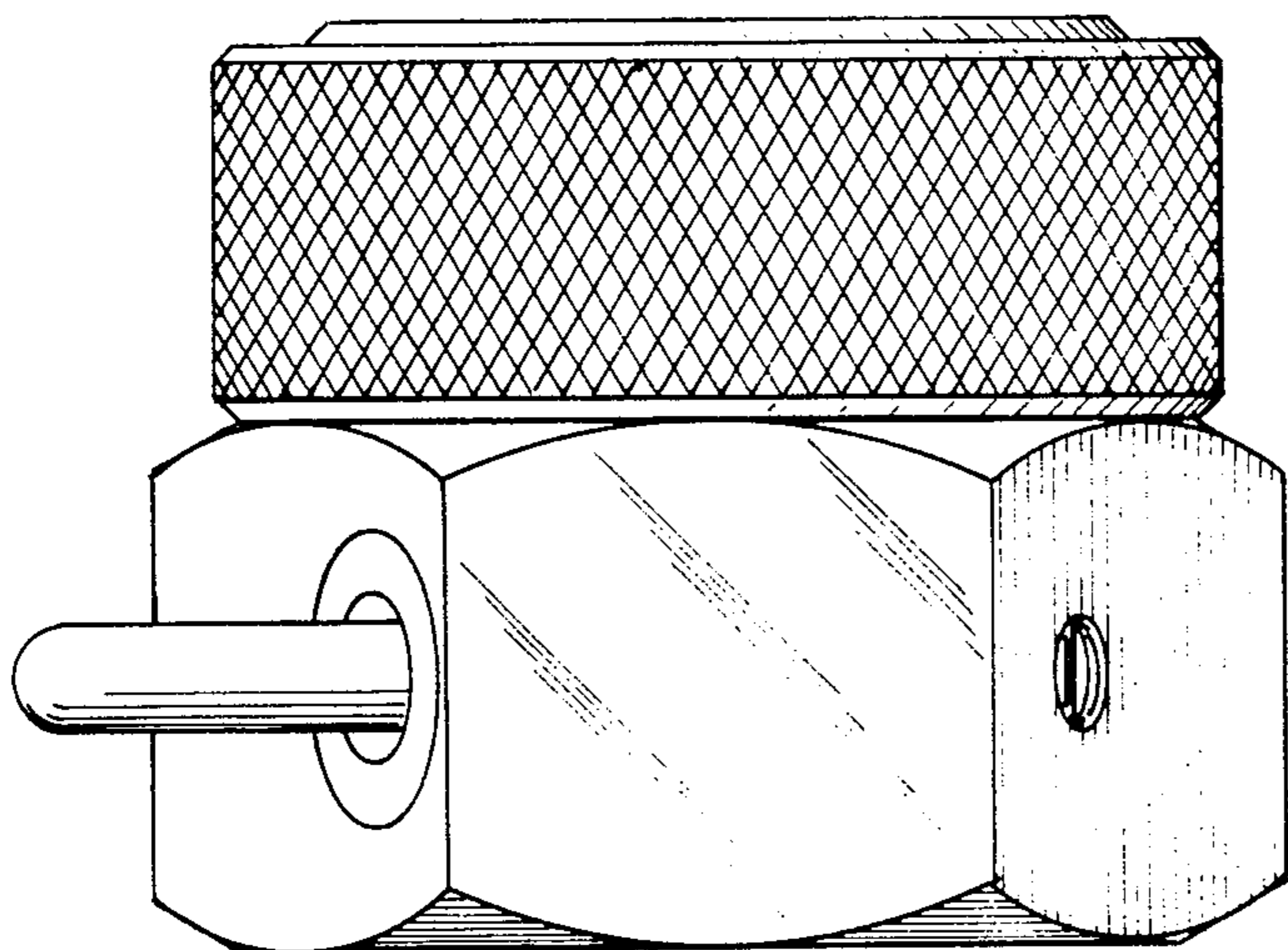


FIG. 4

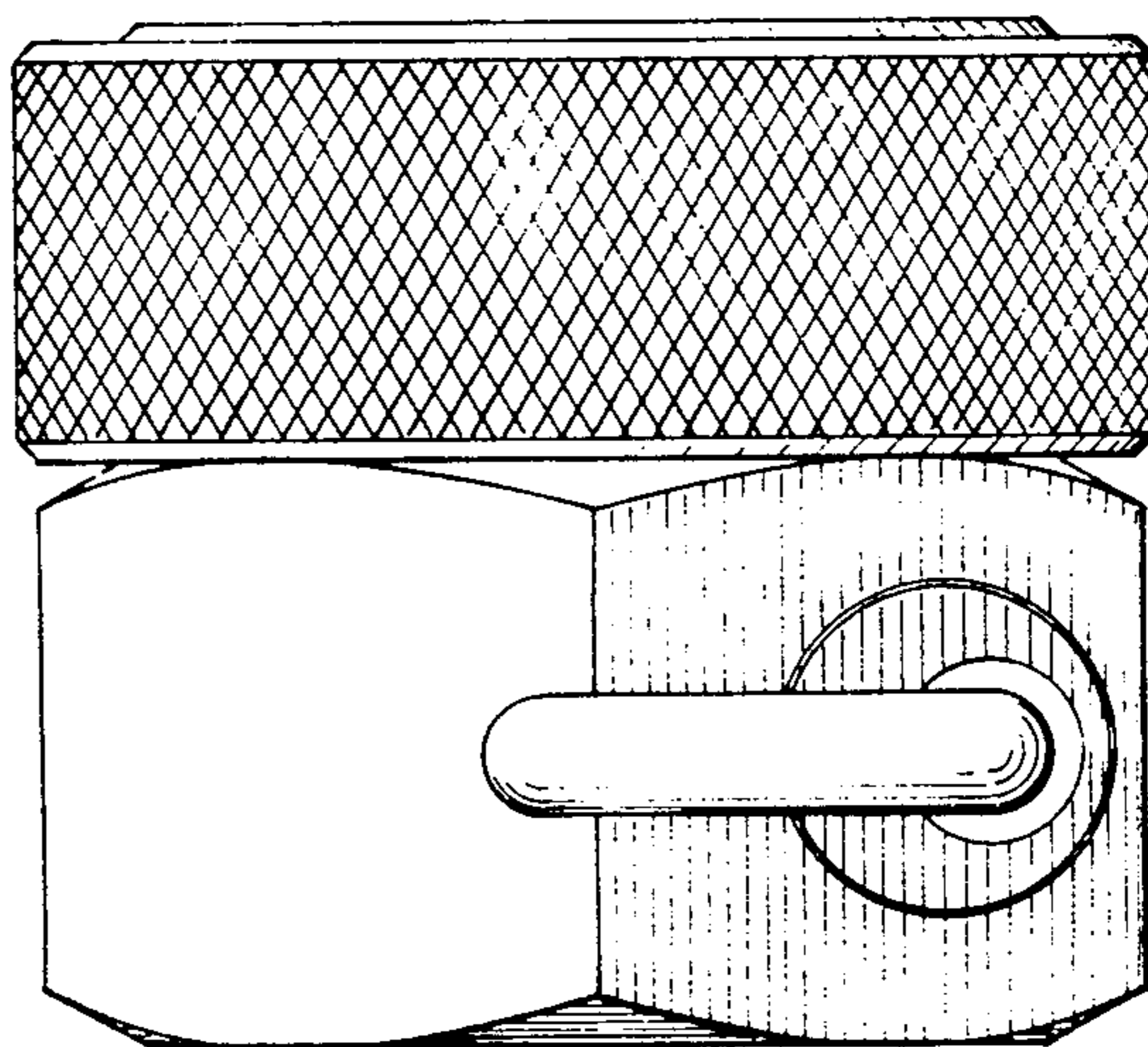


FIG. 5

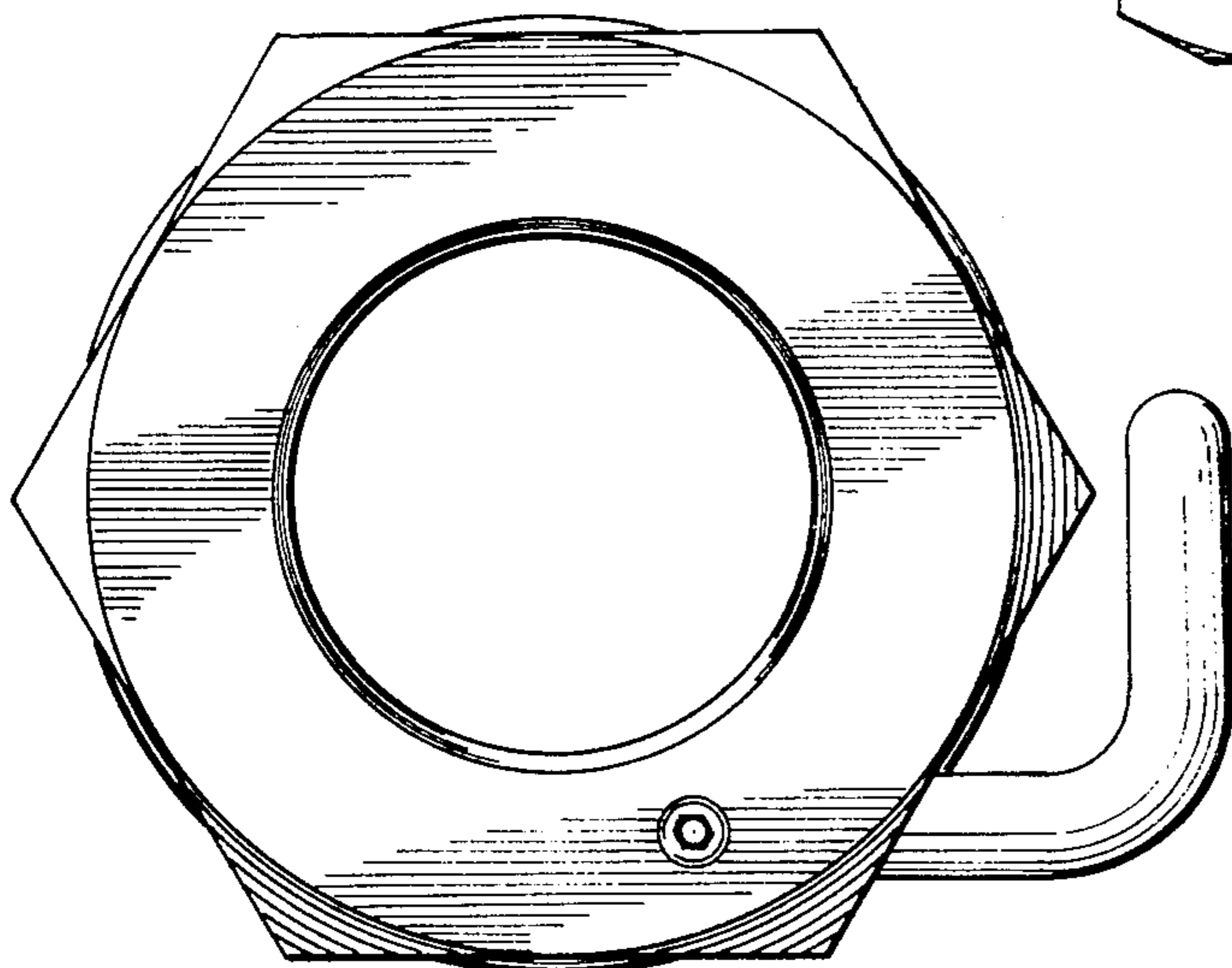


FIG. 6