

[54] TOY CONSTRUCTION PIECE

[75] Inventor: Erik P. Tapdrup, Virum, Denmark

[73] Assignee: Interlego A.G., Baar, Switzerland

[**] Term: 14 Years

[21] Appl. No.: 448,755

[22] Filed: Dec. 10, 1982

[52] U.S. Cl. D21/108

[58] Field of Search D21/104, 105, 108;
446/85, 87, 104, 111, 118, 120, 121, 124, 128;
D25/87, 88

[56] References Cited

U.S. PATENT DOCUMENTS

2,690,032 9/1954 Zalkind 446/102
4,270,303 6/1981 Xanthopoulos et al. 446/128

FOREIGN PATENT DOCUMENTS

1195597 11/1959 France D25/88

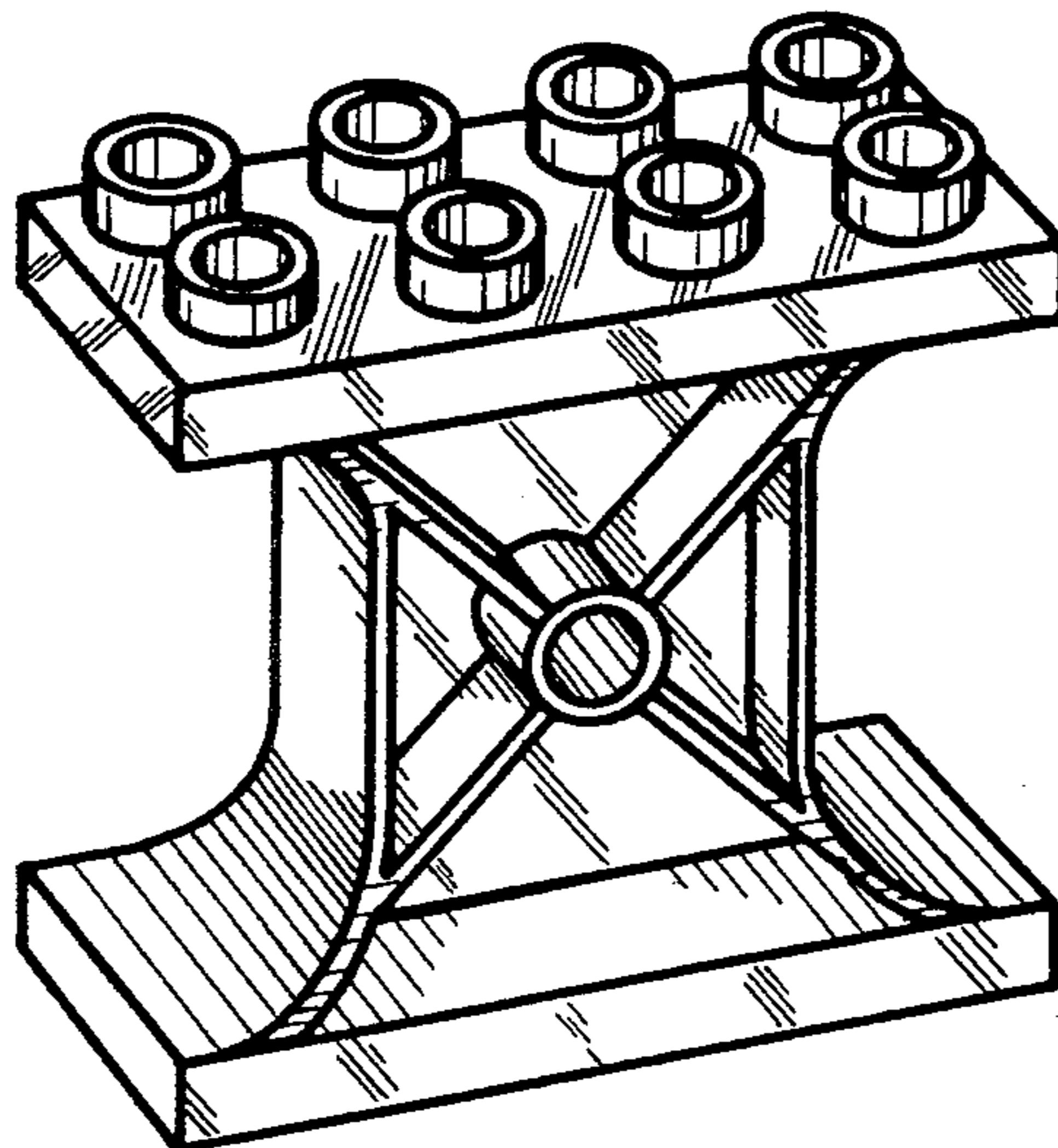
Primary Examiner—Charles A. Rademaker
Attorney, Agent, or Firm—Kane, Dalsimer, Kane,
Sullivan & Kurucz

[57] CLAIM

The ornamental design for a toy construction piece, as shown.

DESCRIPTION

FIG. 1 is a perspective view of a toy construction piece showing my new design;
FIG. 2 is a bottom plan view thereof;
FIG. 3 is a side elevational view thereof;
FIG. 4 is a front elevational view thereof; and,
FIG. 5 is a top plan view thereof.



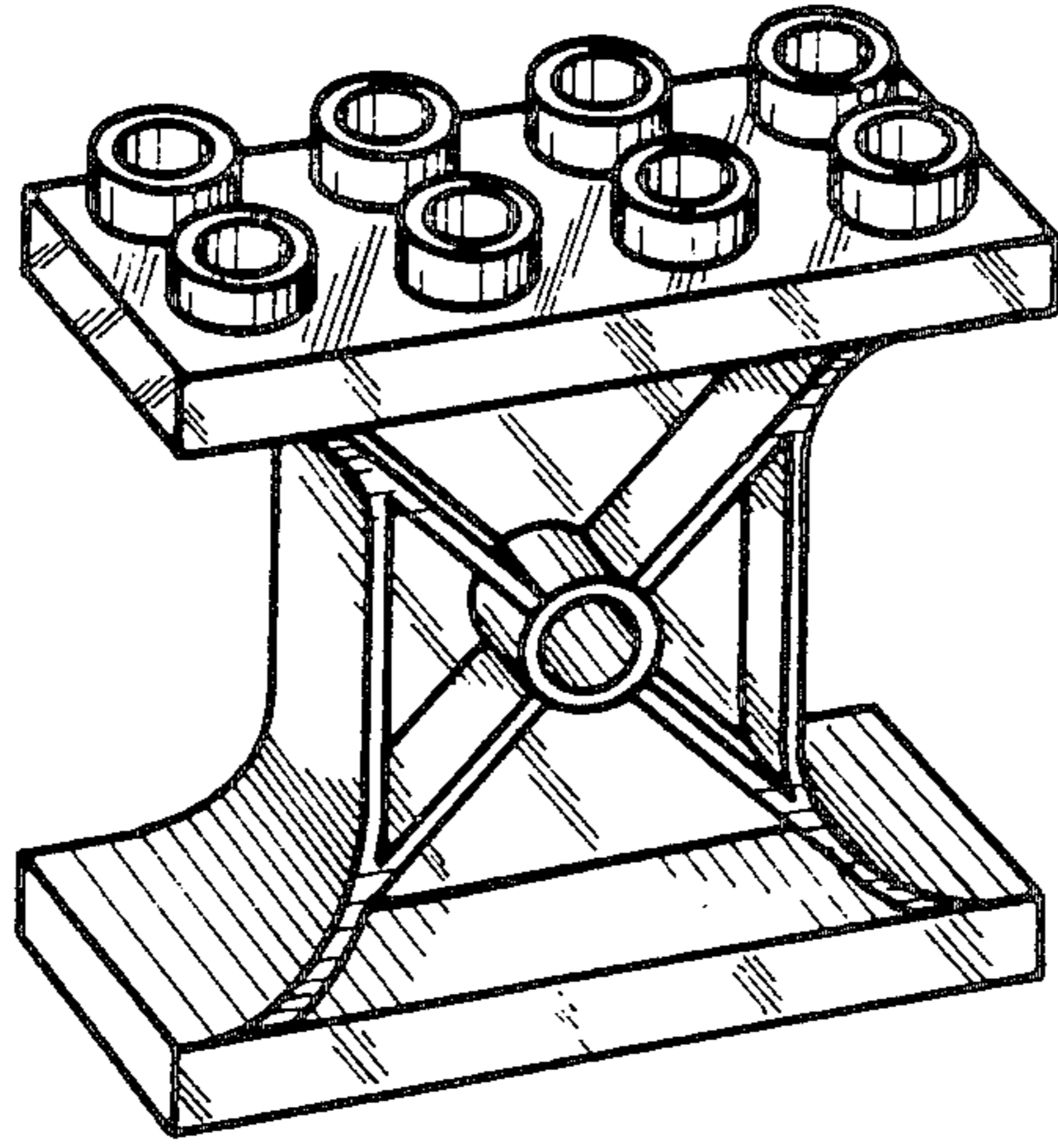


Fig. 1

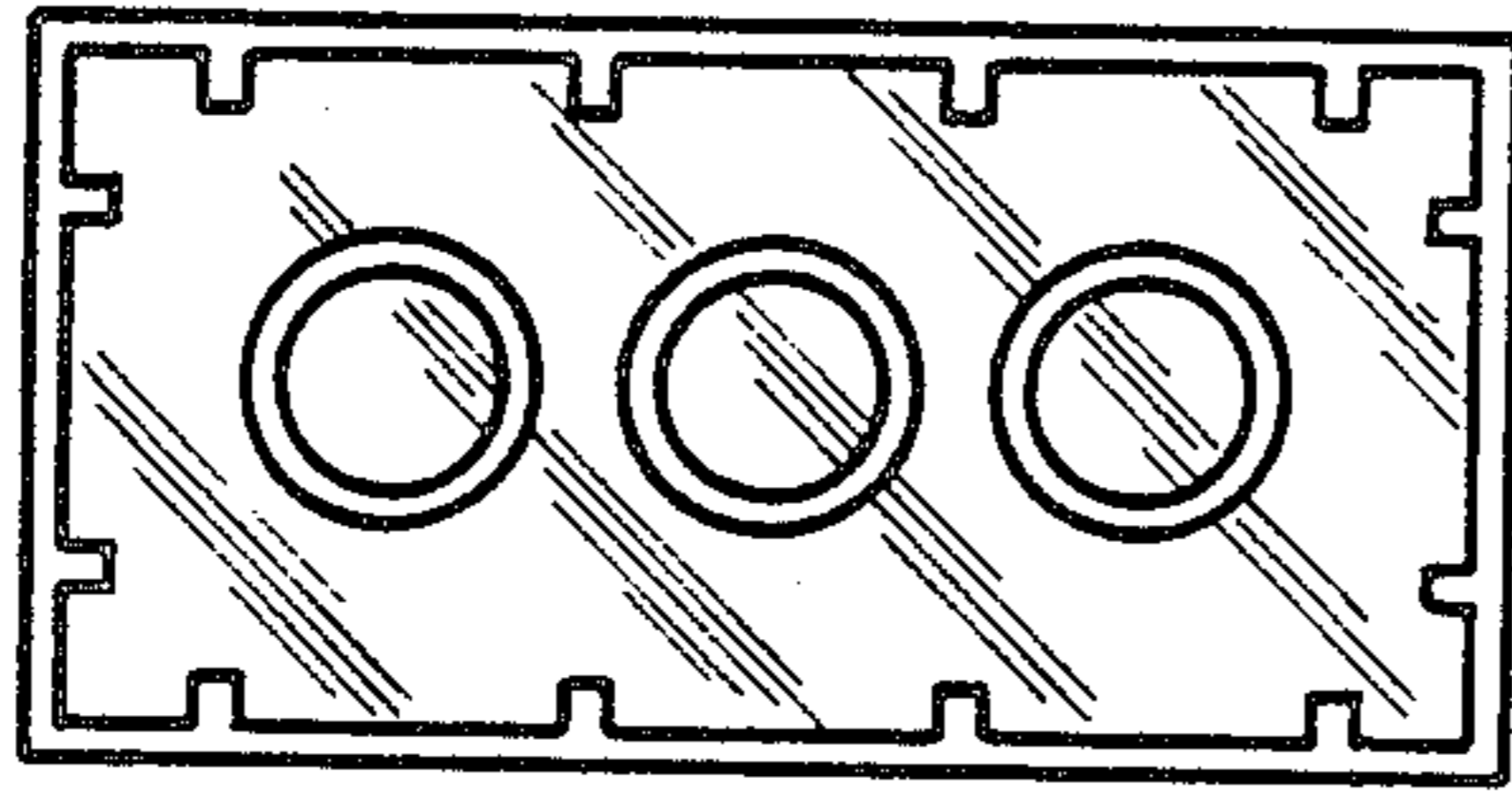


Fig. 2

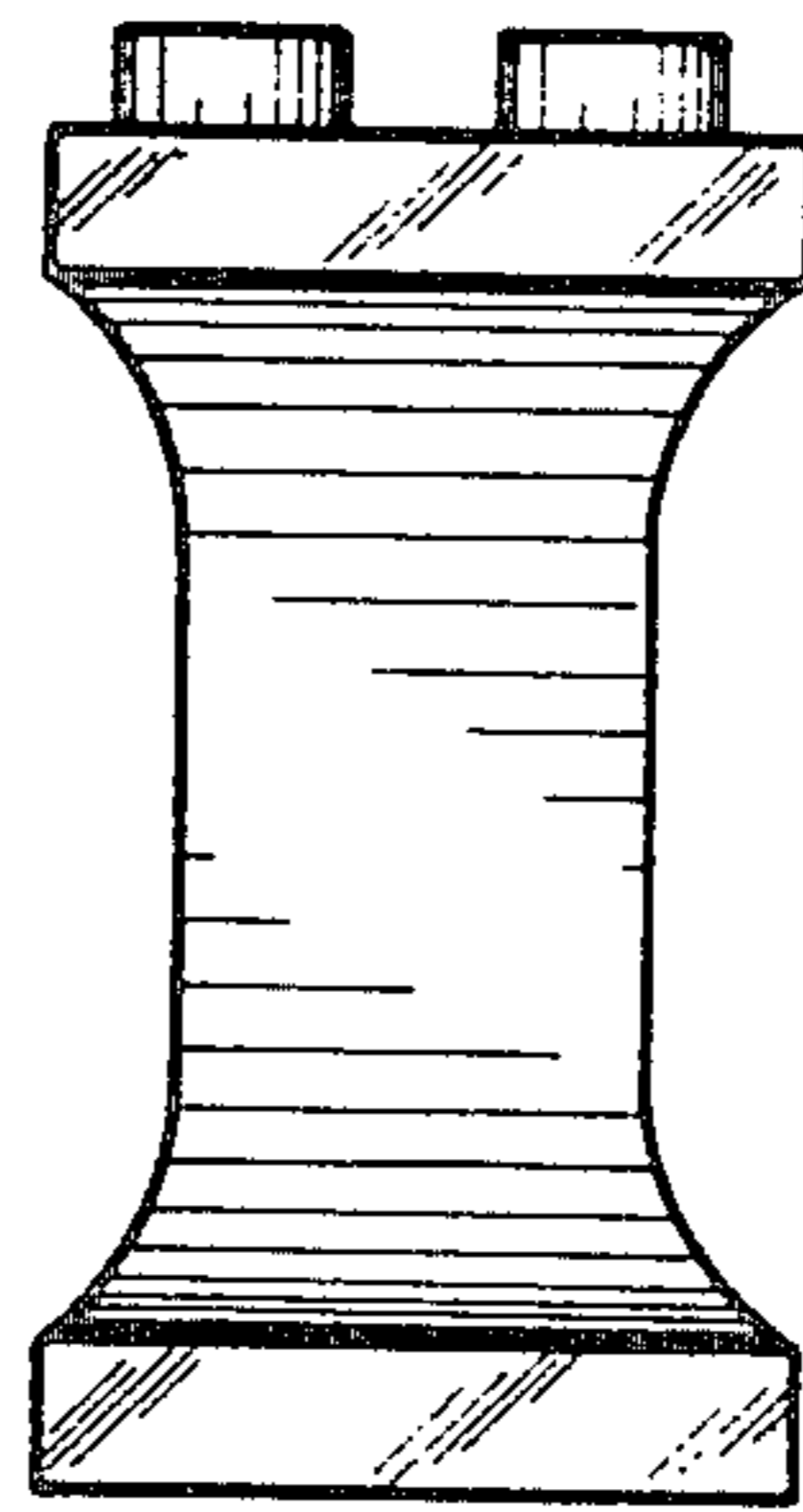


Fig. 3

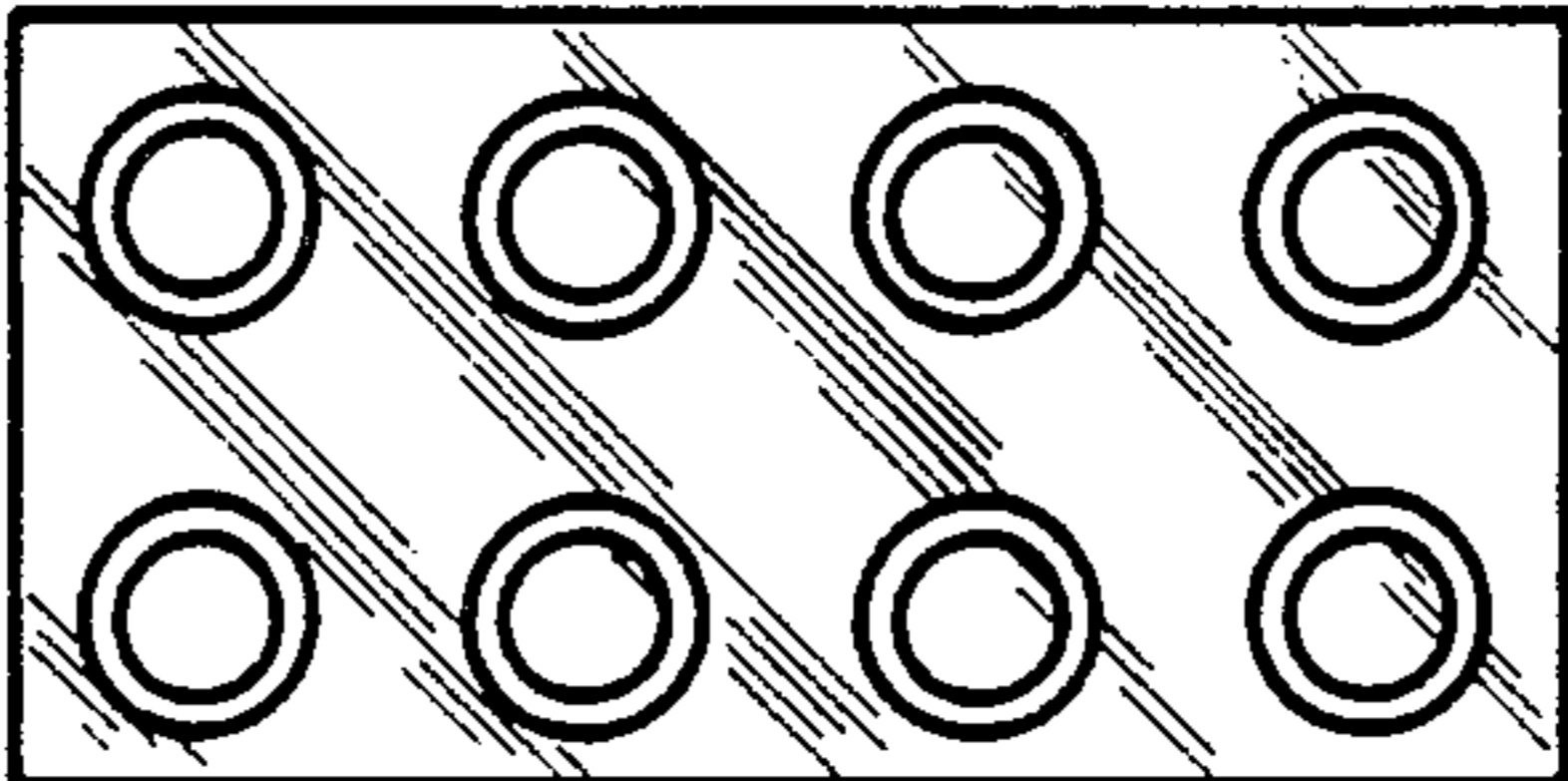


Fig. 5

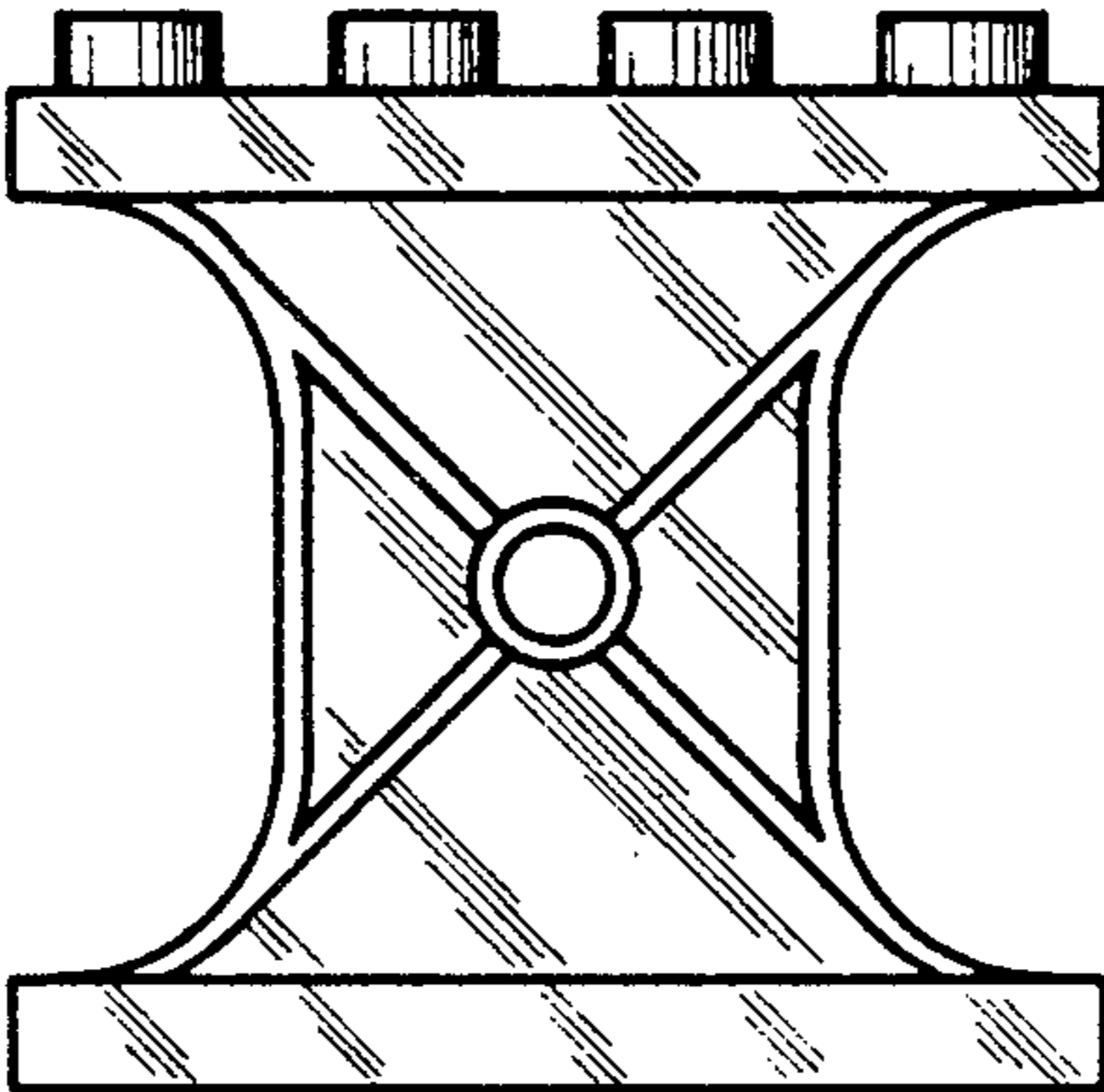


Fig. 4