

[54] TOY CRANE FOR CONSTRUCTION SET OR SIMILAR ARTICLE

[75] Inventors: Erik P. Tapdrup, Virum; Sven Carsten B. Thomsen, Naestved, both of Denmark

[73] Assignee: Interlego A.G., Baar, Switzerland

[\*\*] Term: 14 Years

[21] Appl. No.: 448,754

[22] Filed: Dec. 10, 1982

[52] U.S. Cl. .... D21/108; D21/124

[58] Field of Search ..... D21/104, 105, 108, 124; 446/85, 87, 104, 111, 118, 120, 121, 124, 128; D25/87, 88

[56] References Cited

U.S. PATENT DOCUMENTS

- D. 159,948 9/1950 Betts ..... D21/124
- D. 204,770 5/1966 Pfister ..... D21/124
- 1,832,584 11/1931 Rogers ..... D21/108

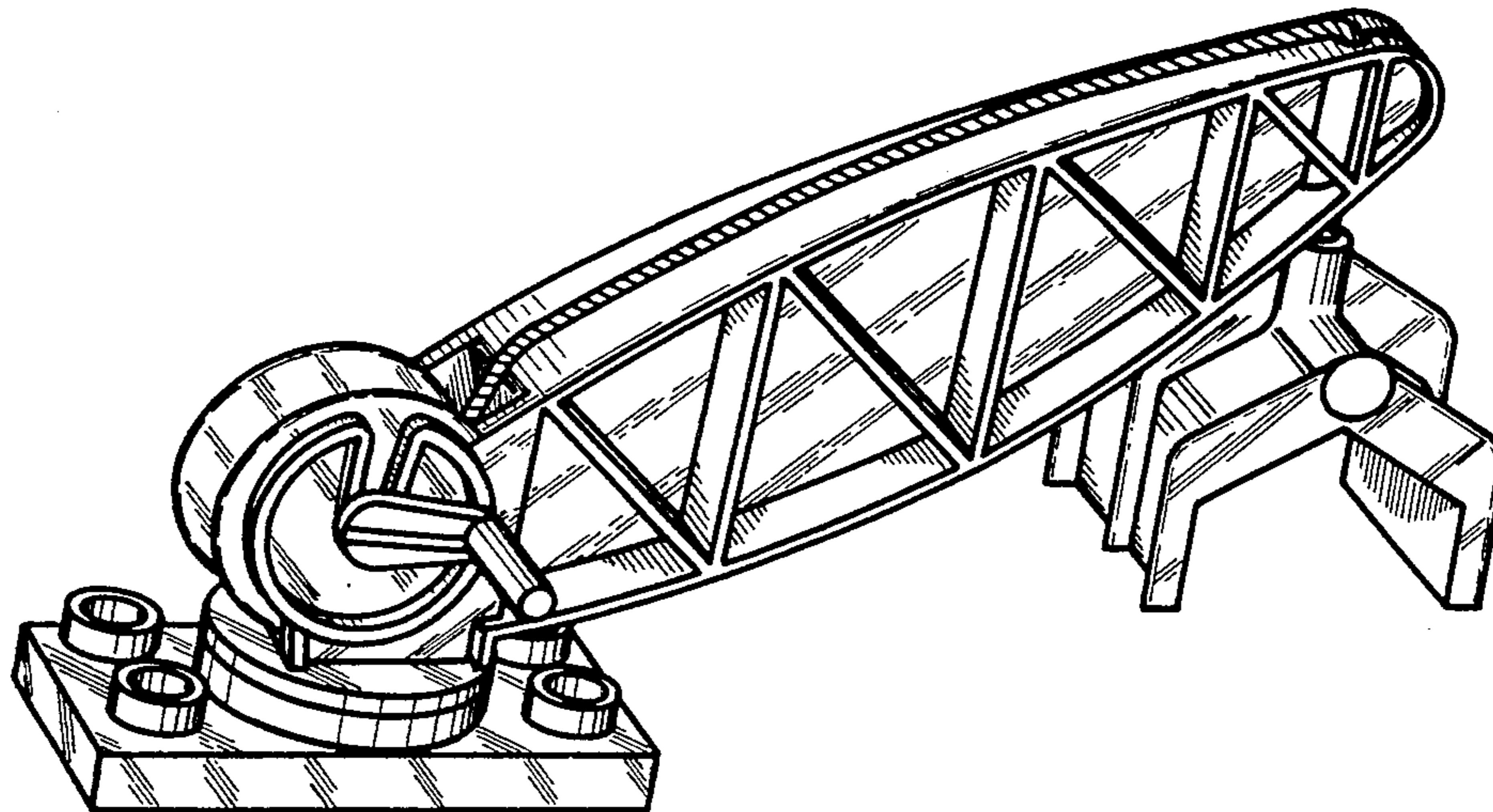
Primary Examiner—Charles A. Rademaker  
Attorney, Agent, or Firm—Kane, Dalsimer, Kane, Sullivan and Kurucz

[57] CLAIM

The ornamental design for toy crane for construction set or similar article, as shown.

DESCRIPTION

FIG. 1 is a perspective view of a toy crane for construction set or similar article showing our new design; FIG. 2 is a bottom plan view thereof; FIG. 3 is a right side elevational view thereof; FIG. 4 is a left side elevational view thereof; FIG. 5 is a top plan view thereof; FIG. 6 is a rear elevational view thereof; and FIG. 7 is a front elevational view thereof.



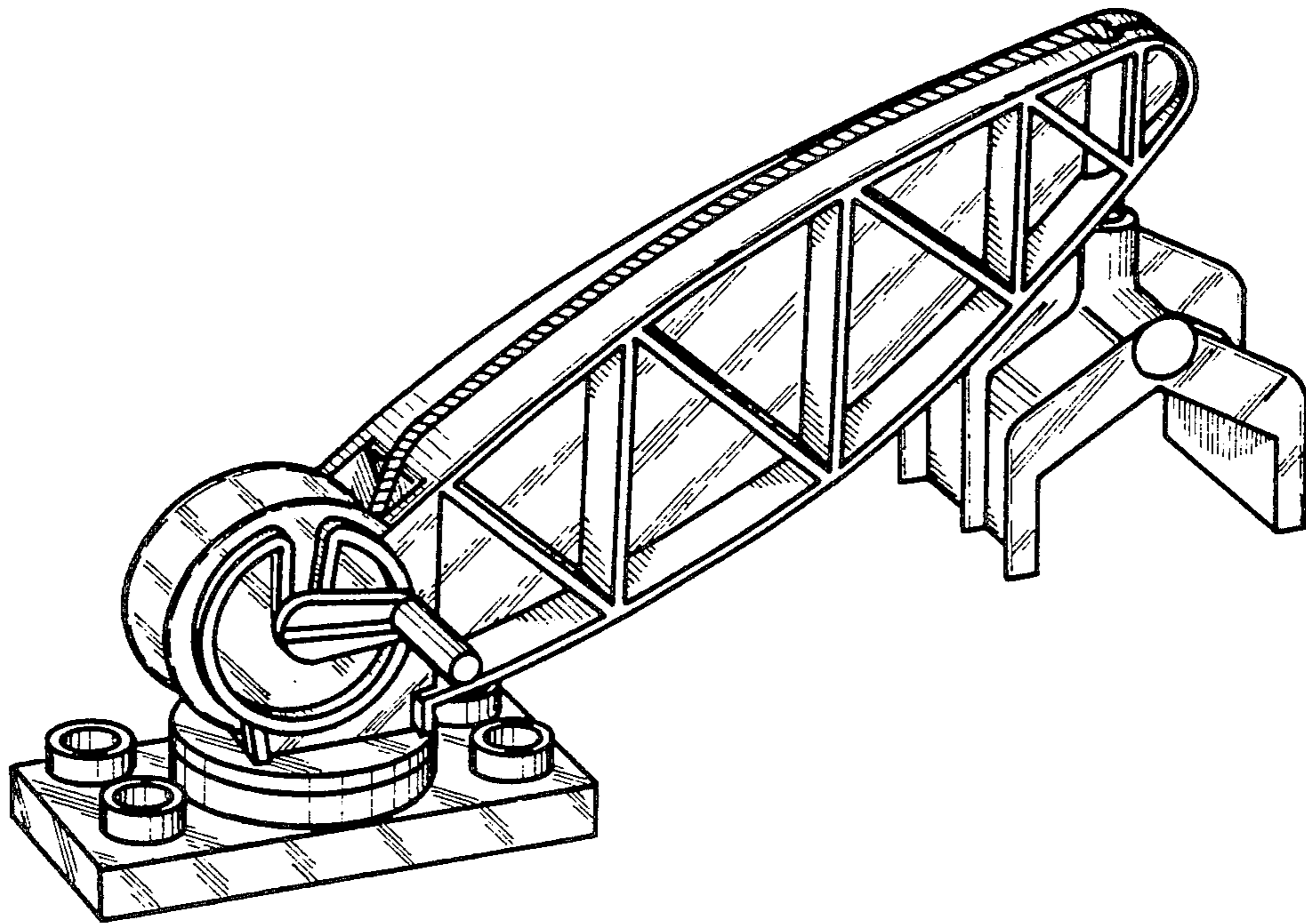


Fig. 1

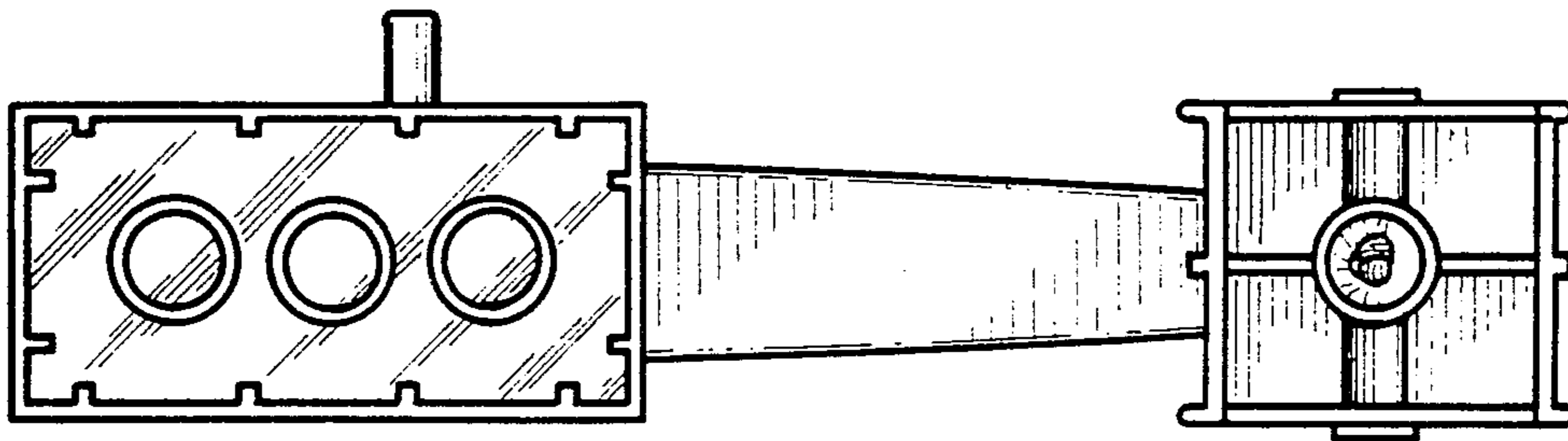


Fig. 2

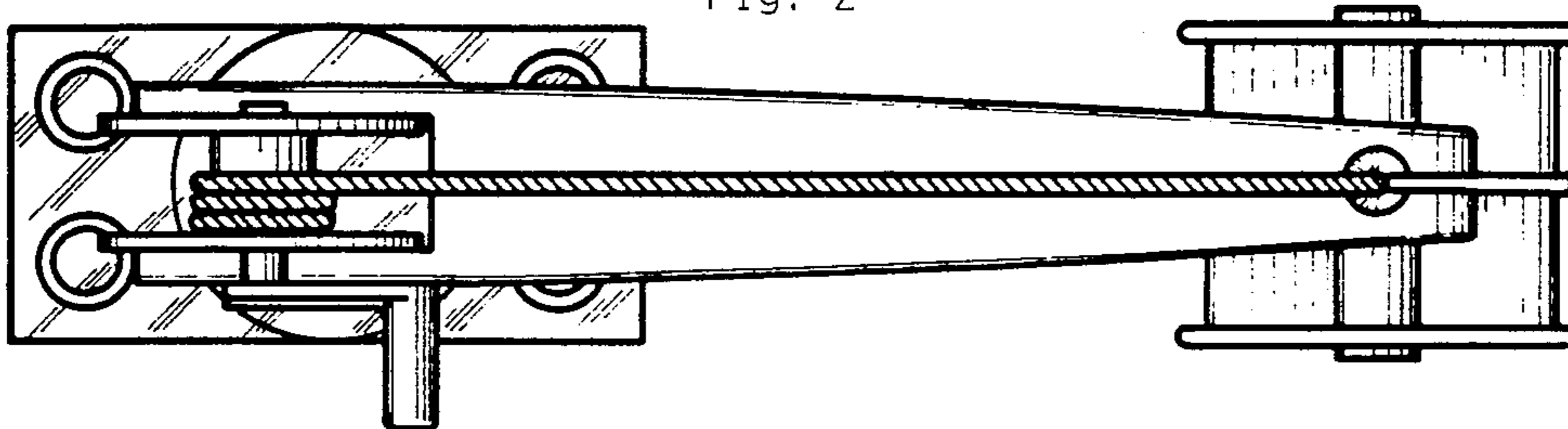


Fig. 5

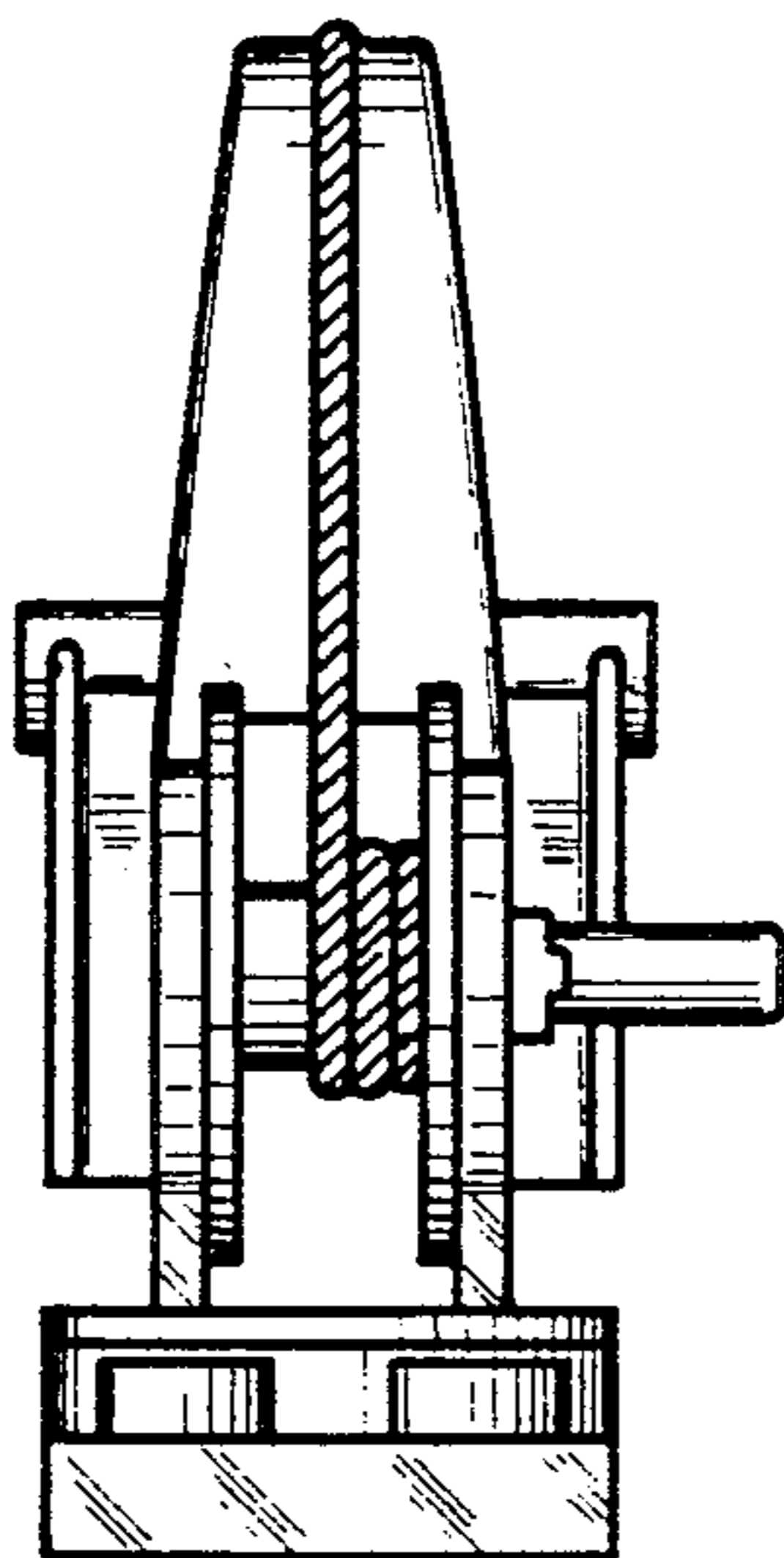


Fig. 6

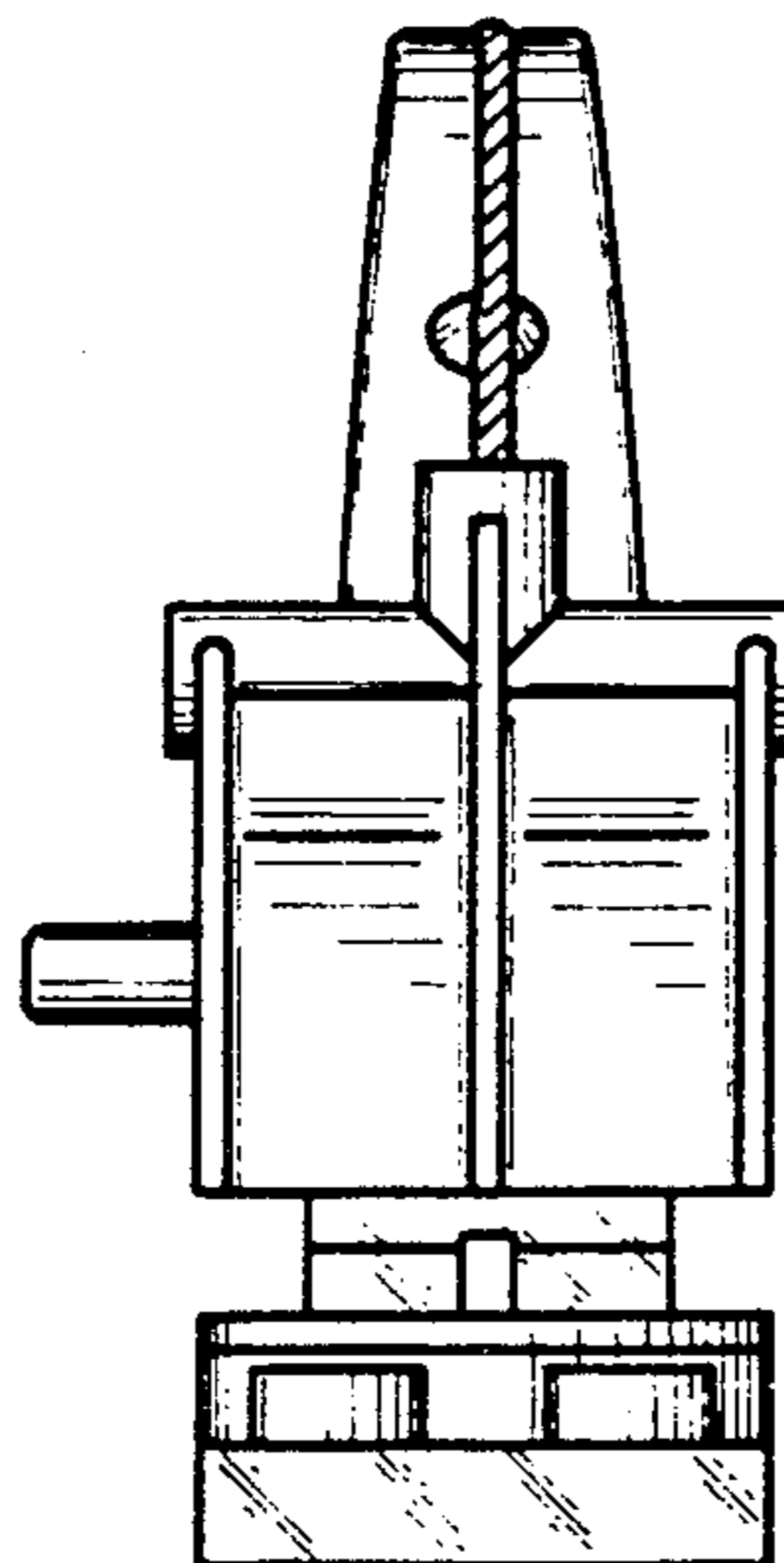


Fig. 7

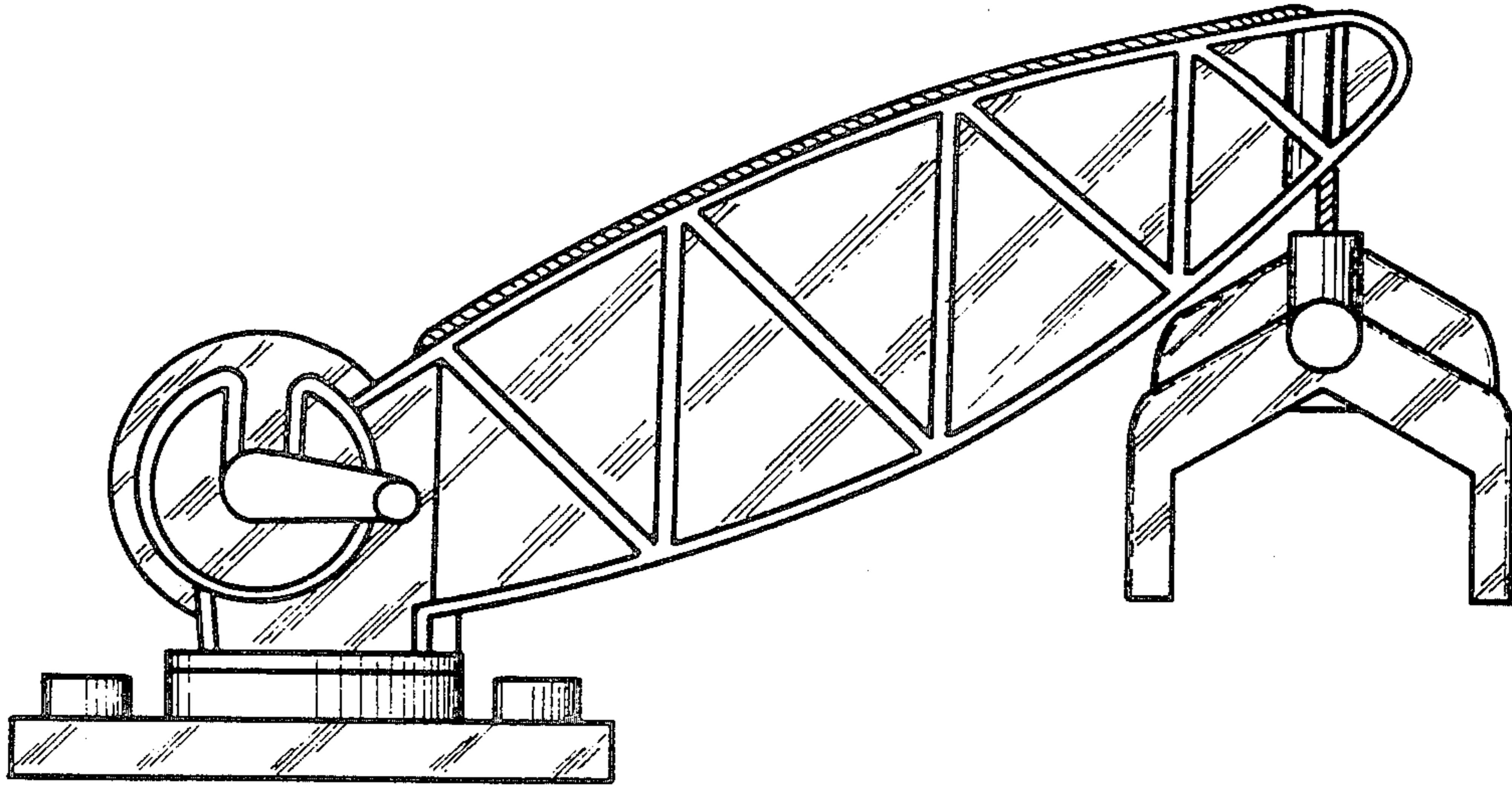


Fig. 4

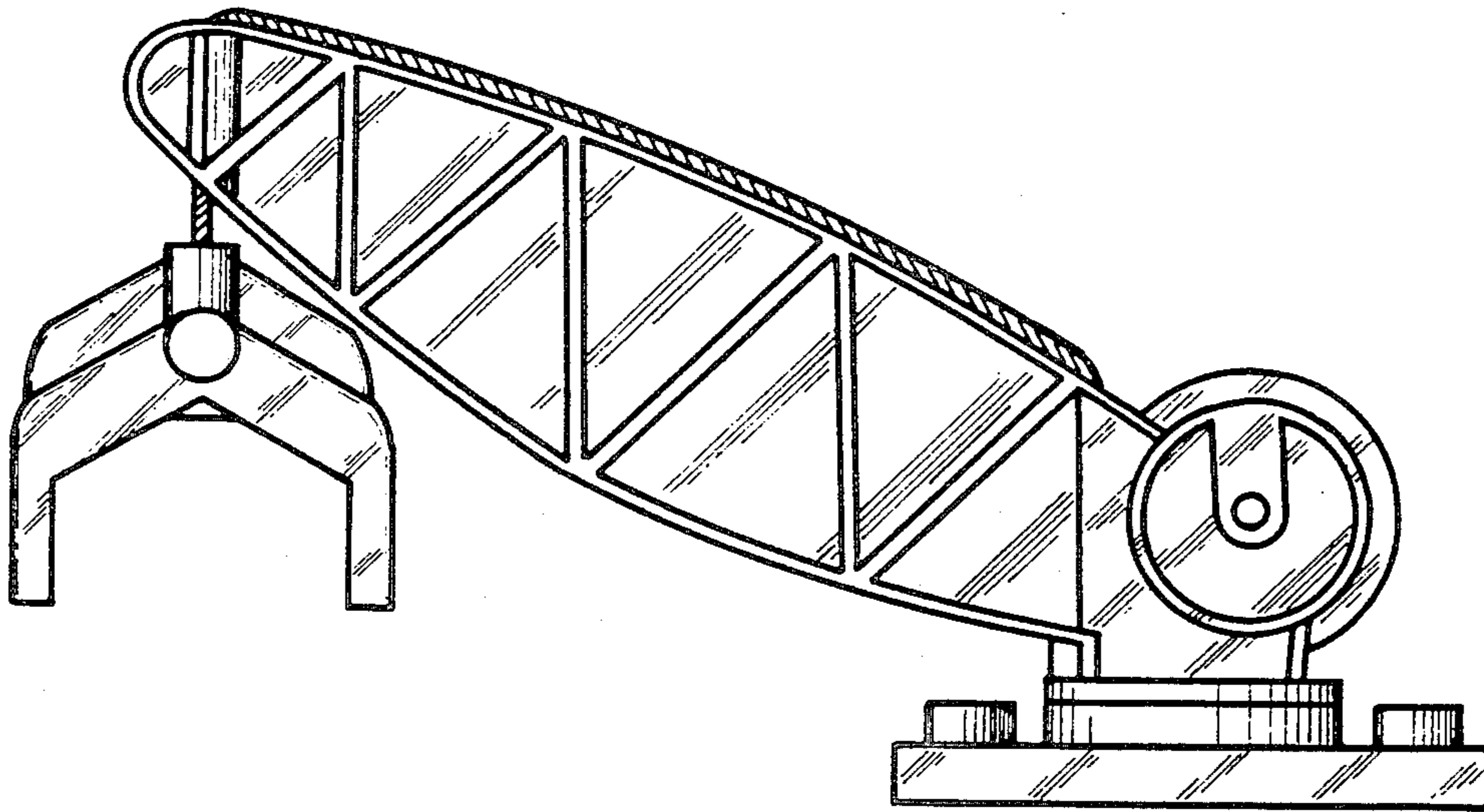


Fig. 3