

[54] PUZZLE TOY

3,233,362 2/1966 Chapman 446/408

[76] Inventor: Edward Holman, 624 Colonial Arms Rd., Union, N.J. 07083

[**] Term: 14 Years

[21] Appl. No.: 462,348

[22] Filed: Jan. 31, 1983

[52] U.S. Cl. D21/104; D21/64

[58] Field of Search D21/104, 105, 107, 108, D21/64, 65, 59, 146; 446/71, 118, 124, 408; 273/153 R, 153 S, 156

[56] References Cited

U.S. PATENT DOCUMENTS

D. 51,924	4/1918	Jarrell	D21/64
D. 213,385	2/1969	Molenaar	D21/108
660,684	10/1900	Holder	D21/64
2,757,479	8/1956	Brennan et al.	446/117

OTHER PUBLICATIONS

Children's Design Center Catalog, 1979, p. 7, Item "L".

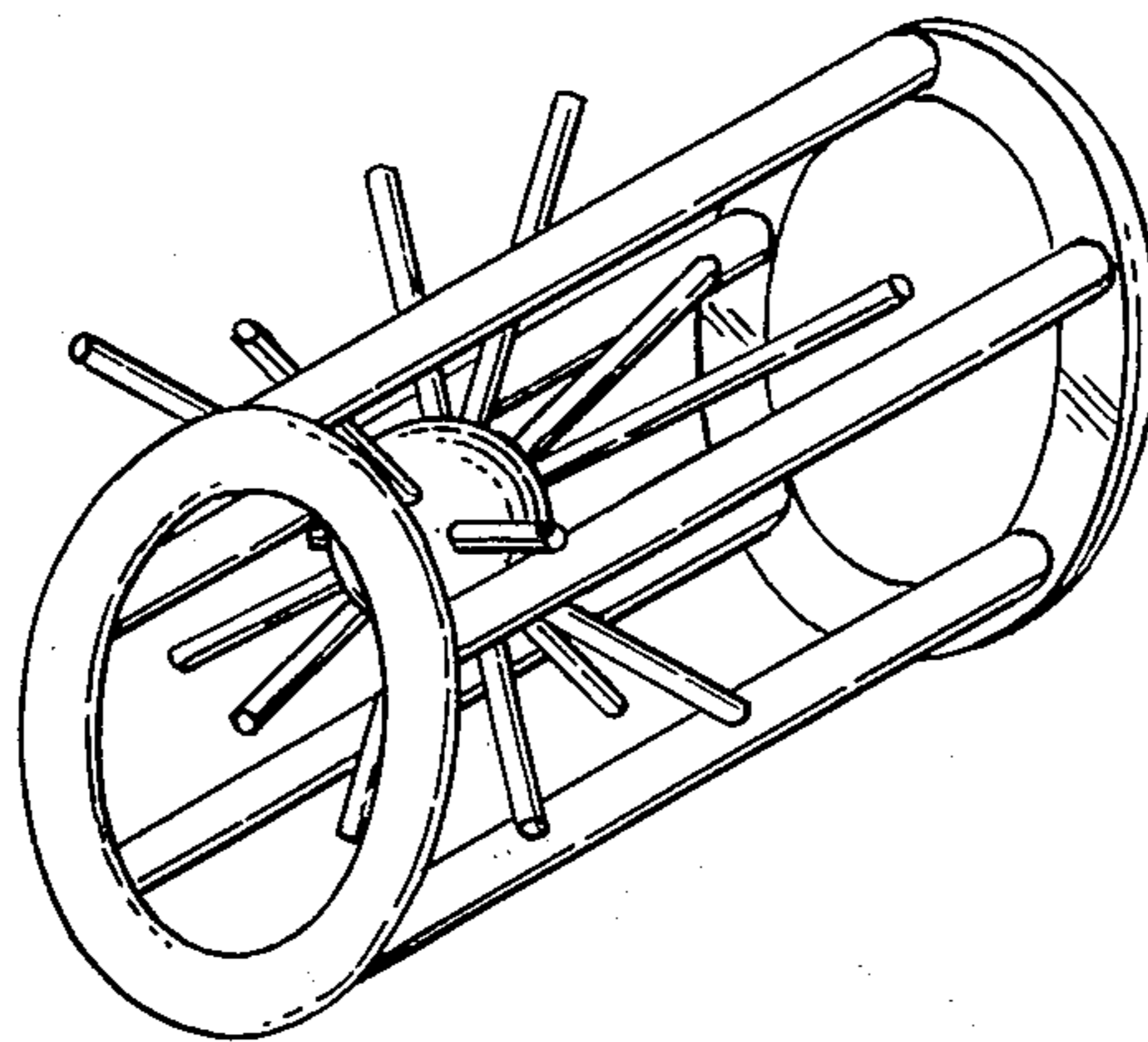
Primary Examiner—Charles A. Rademaker
Attorney, Agent, or Firm—Daniel H. Bobis

[57] CLAIM

The ornamental design for a puzzle toy, substantially as shown.

DESCRIPTION

FIG. 1 is a front elevational view of a puzzle toy showing my new design;
FIG. 2 is a rear elevational view thereof;
FIG. 3 is a top plan view thereof;
FIG. 4 is a bottom plan view thereof;
FIG. 5 is a left end elevational view thereof;
FIG. 6 is a right end elevational view thereof; and,
FIG. 7 is a perspective view thereof.



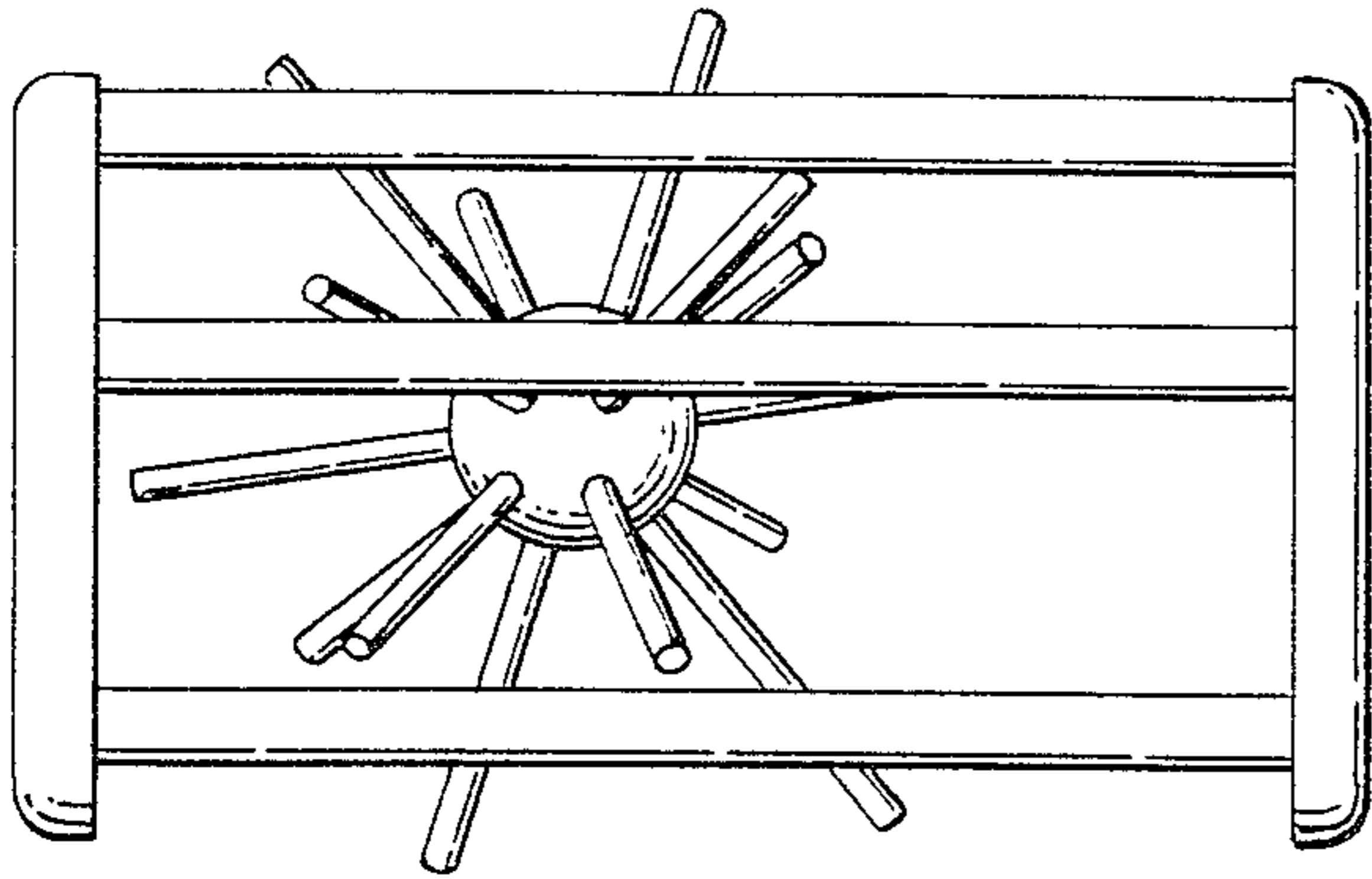


FIG. 1

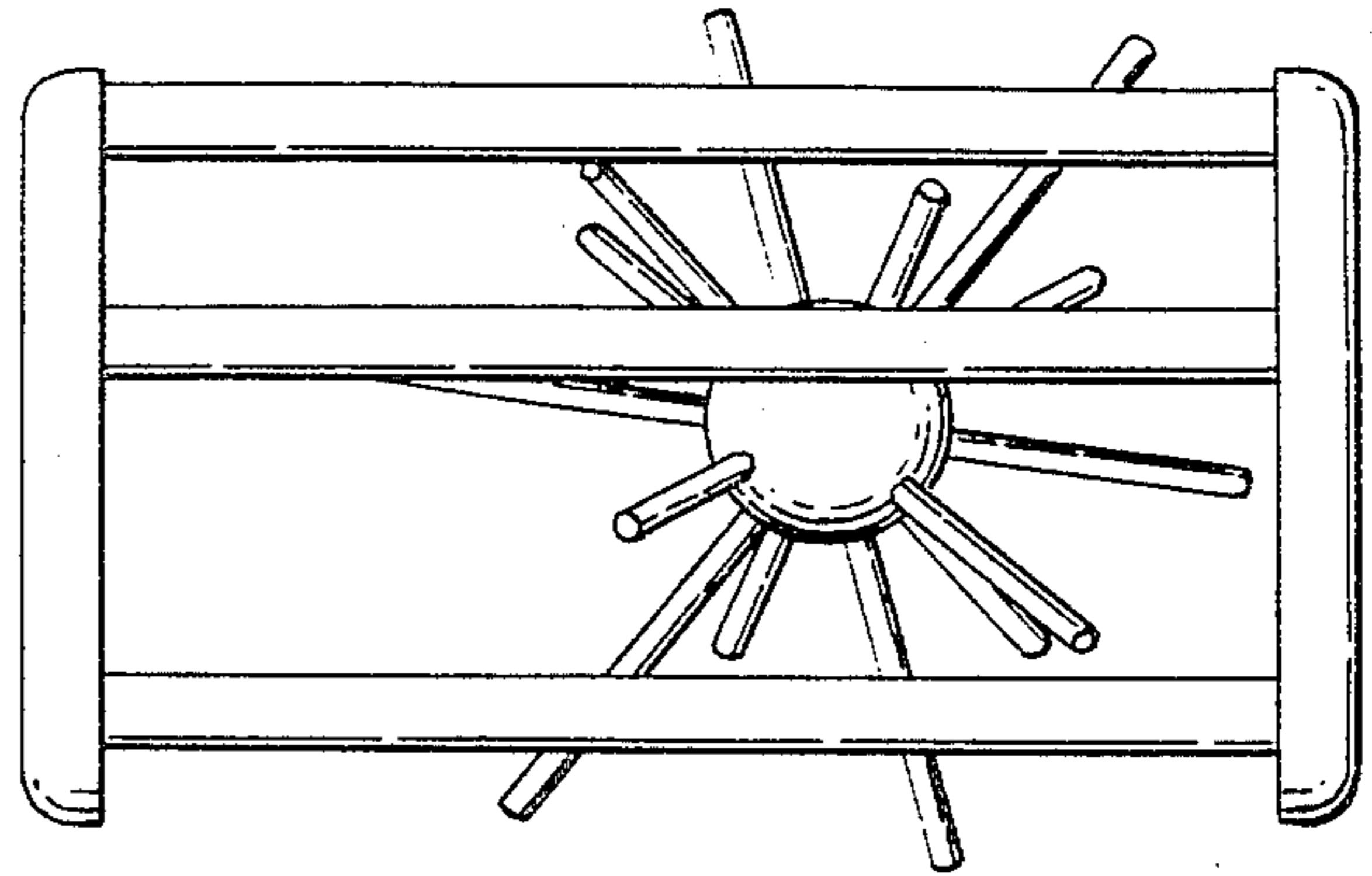


FIG. 2

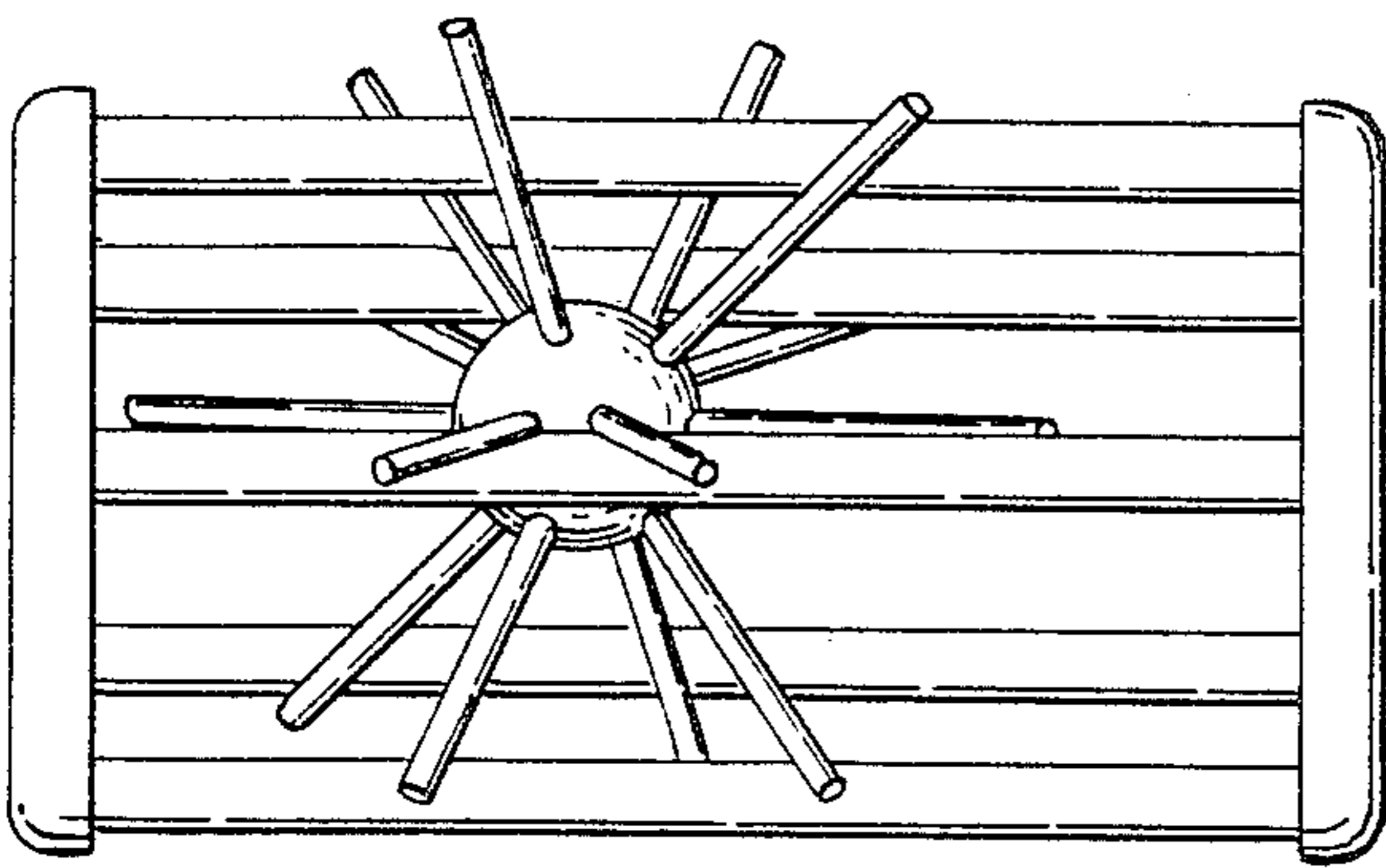


FIG. 3

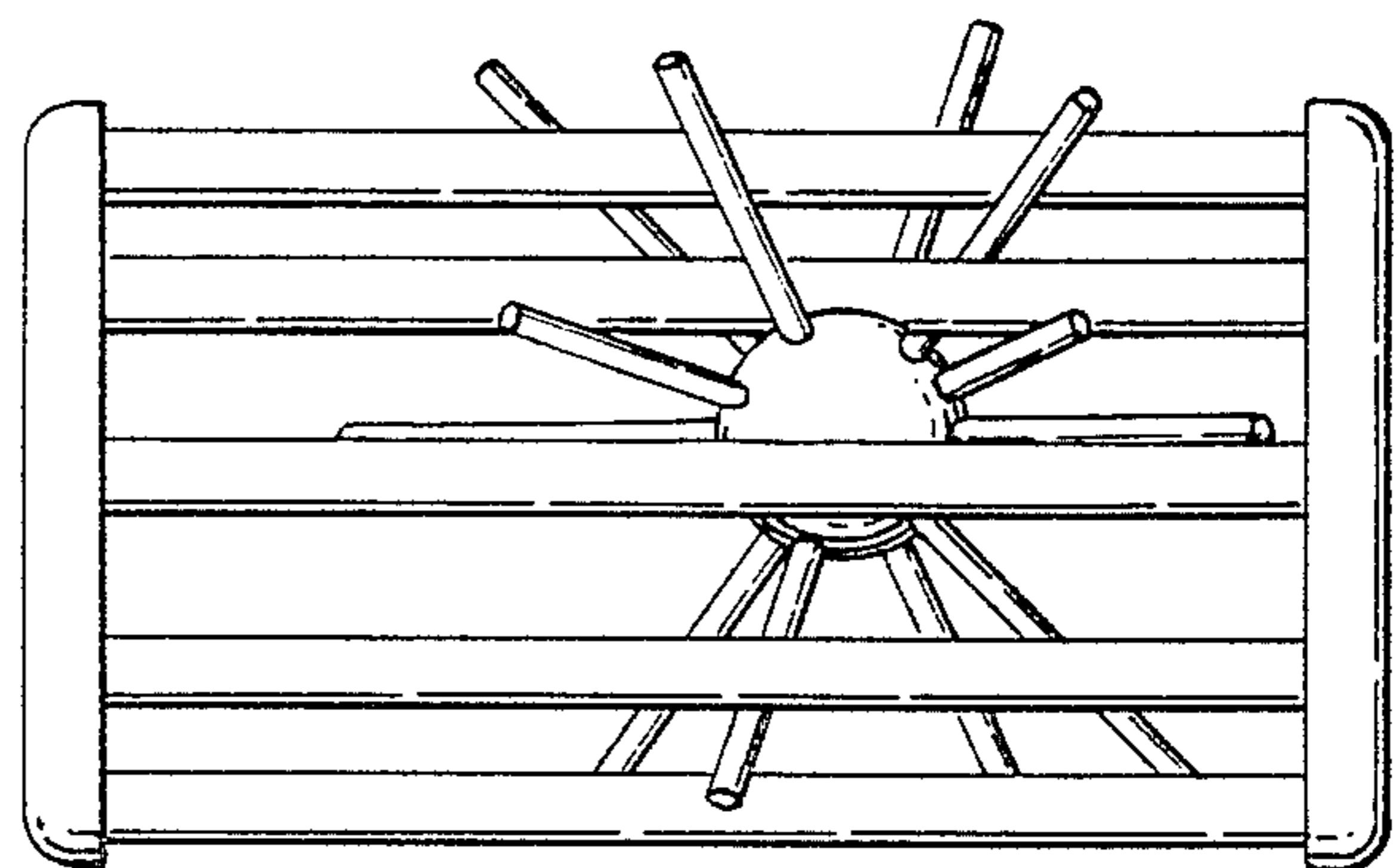


FIG. 4

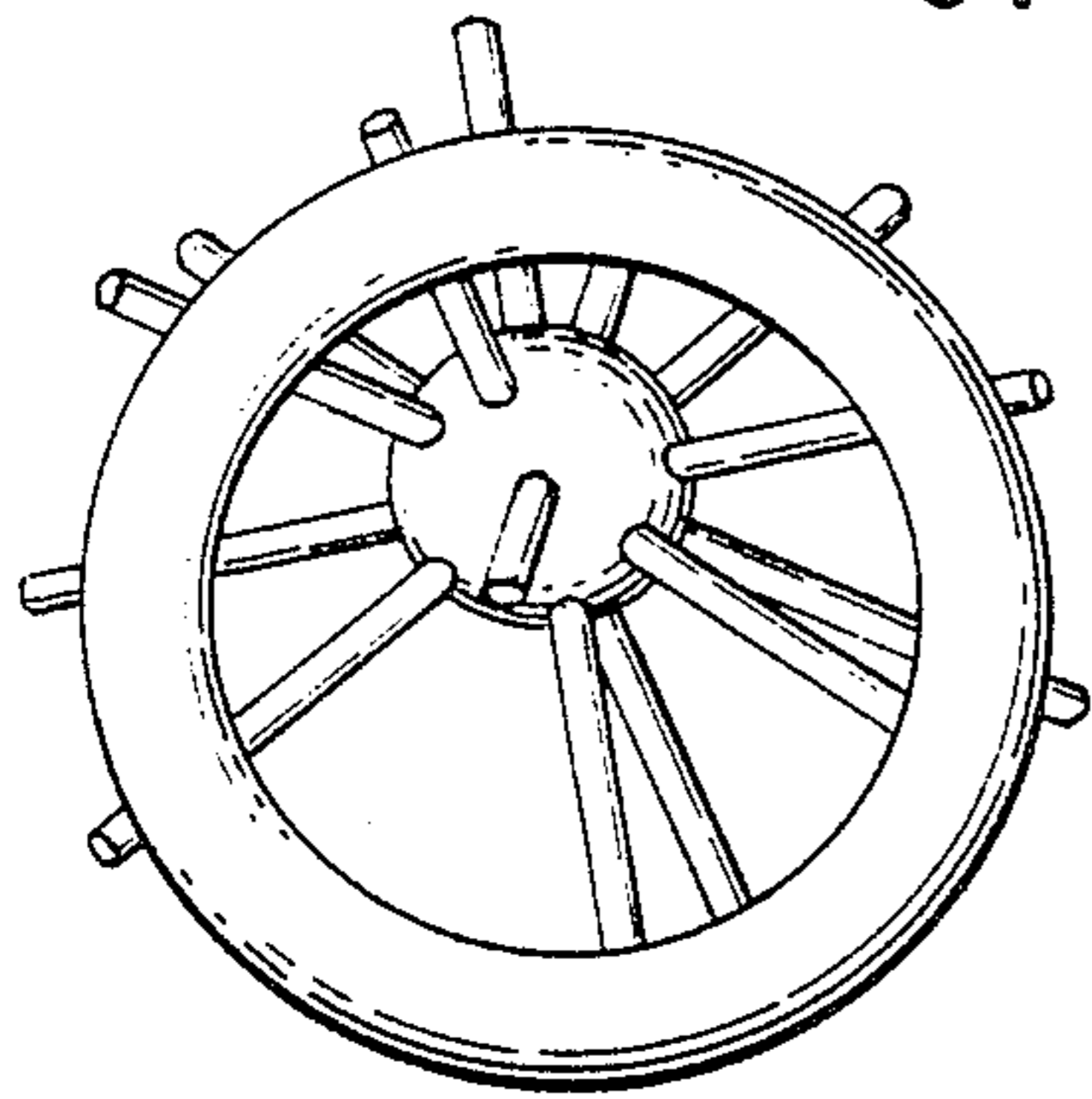


FIG. 5

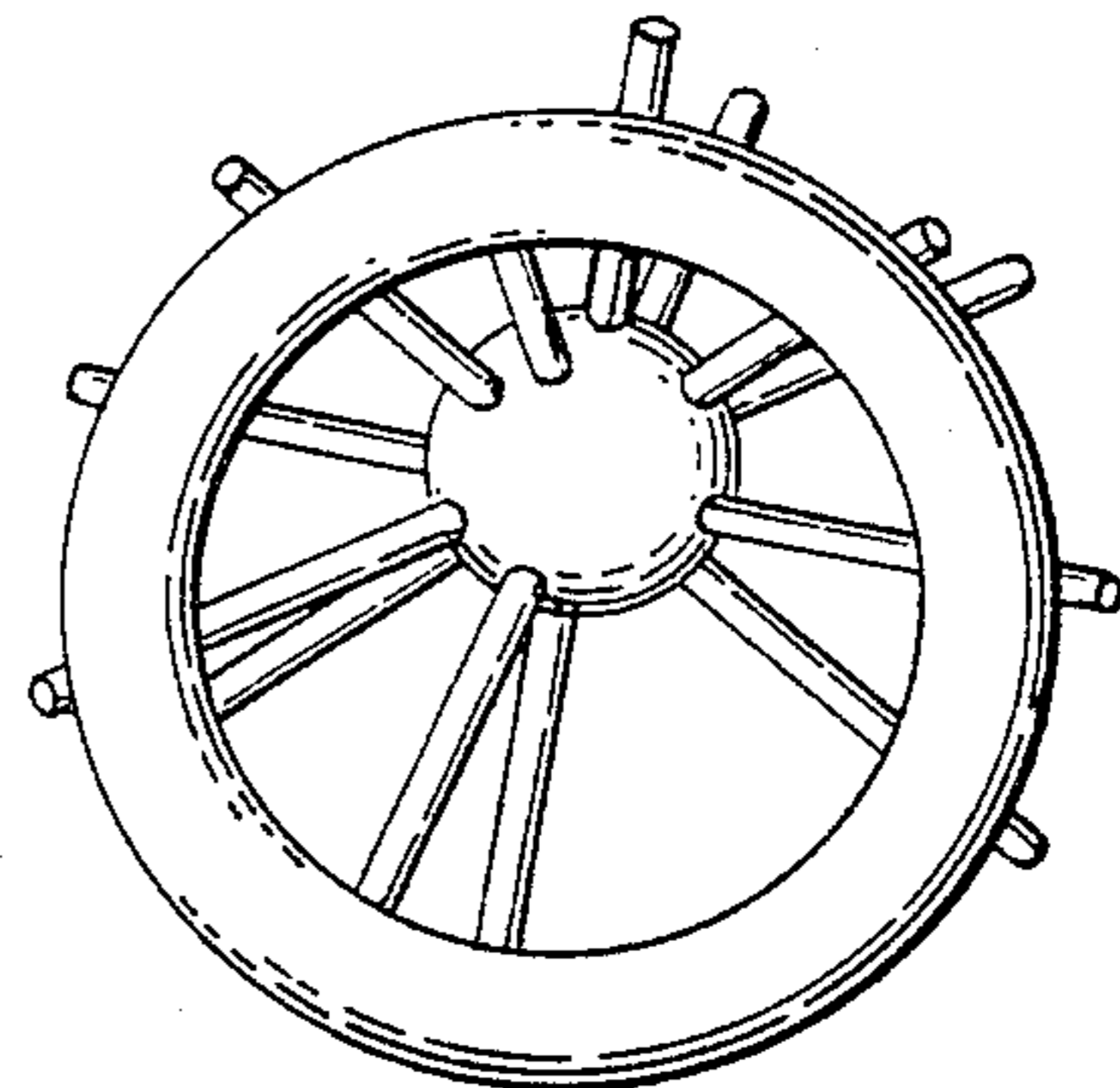


FIG. 6

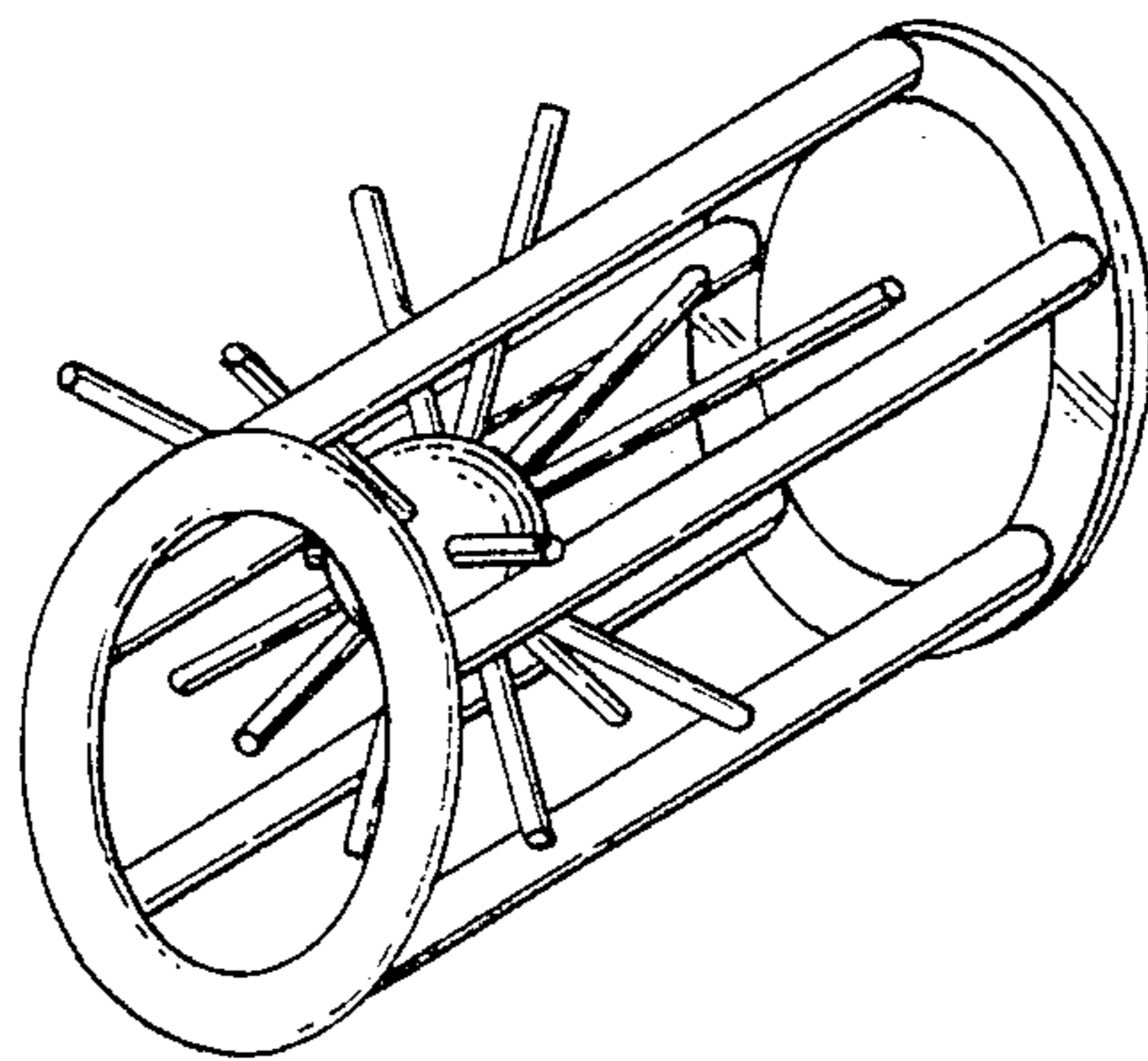


FIG. 7