

[54] **DRAWING TOY**

[75] Inventors: **Melvin Kennedy**, New York, N.Y.;  
**Dietmar Nagel**, Chester, N.J.; **Avi Arad**, Westport, Conn.

[73] Assignee: **Nagel/Kennedy & Associates**, New York, N.Y.

[\*\*] Term: **14 Years**

[21] Appl. No.: **431,737**

[22] Filed: **Sep. 30, 1982**

[52] U.S. Cl. .... **D21/59**

[58] Field of Search ..... **D21/59; D19/37, 35, D19/40, 41; D10/65; 434/81, 90, 85**

[56] **References Cited**

**U.S. PATENT DOCUMENTS**

D. 250,491 12/1978 **Ogawa** ..... **D21/59**

D. 257,994 1/1981 **Kroll** ..... **D21/59**  
D. 262,728 1/1982 **Kroll** ..... **D21/59**  
D. 263,158 2/1982 **Craig** ..... **D21/59**  
D. 265,572 7/1982 **Bredemeier et al.** ..... **D21/59**

*Primary Examiner*—**Charles A. Rademaker**  
*Attorney, Agent, or Firm*—**Amster, Rothstein & Engelberg**

[57] **CLAIM**

The ornamental design for a drawing toy, substantially as shown and described.

**DESCRIPTION**

FIG. 1 is a perspective view of a drawing toy showing our new design;  
FIG. 2 is a top plan view thereof;  
FIG. 3 is a side elevational view thereof;  
FIG. 4 is a front elevational view thereof;  
FIG. 5 is a side elevational view thereof; and  
FIG. 6 is a bottom plan view thereof.

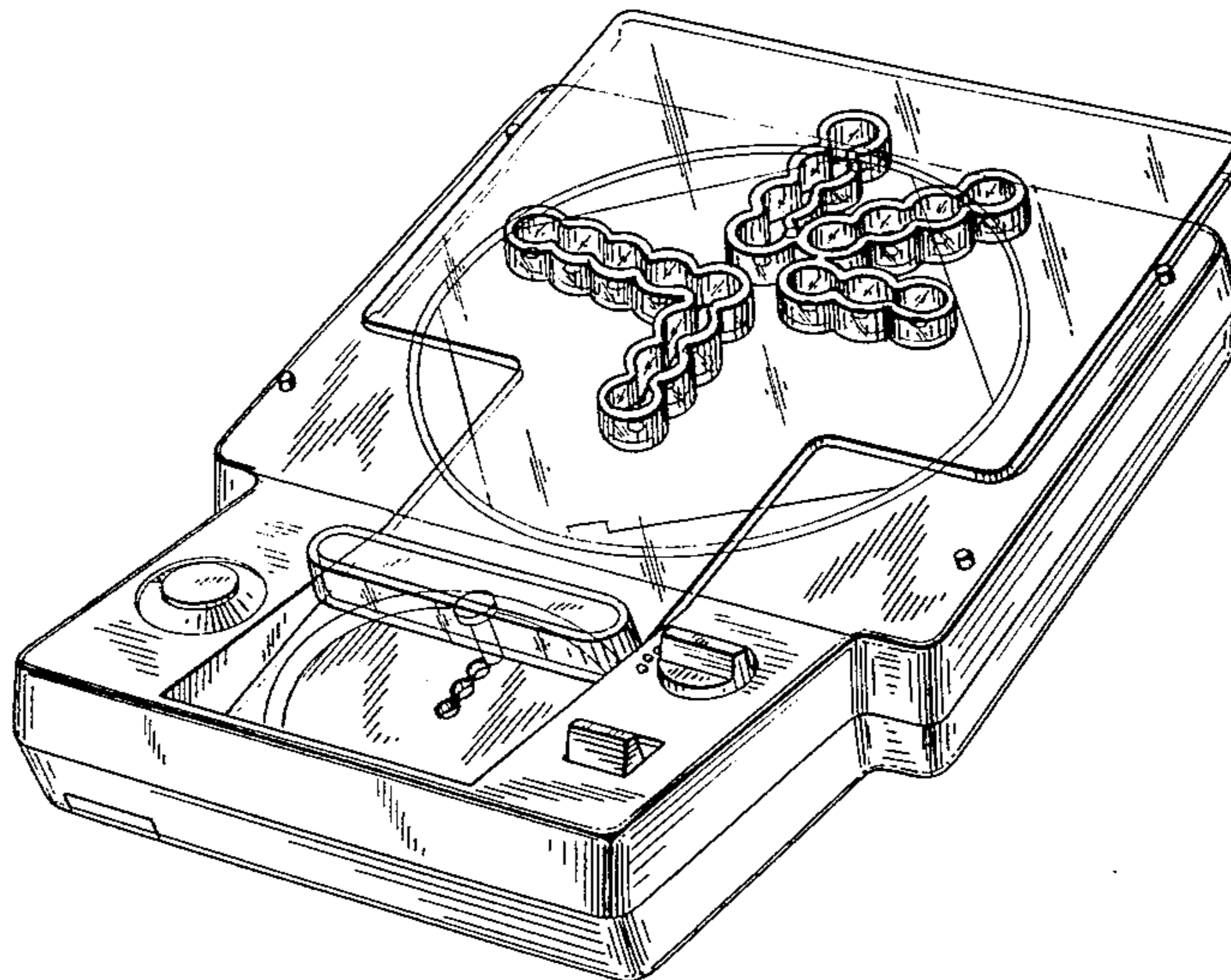


FIG. 1

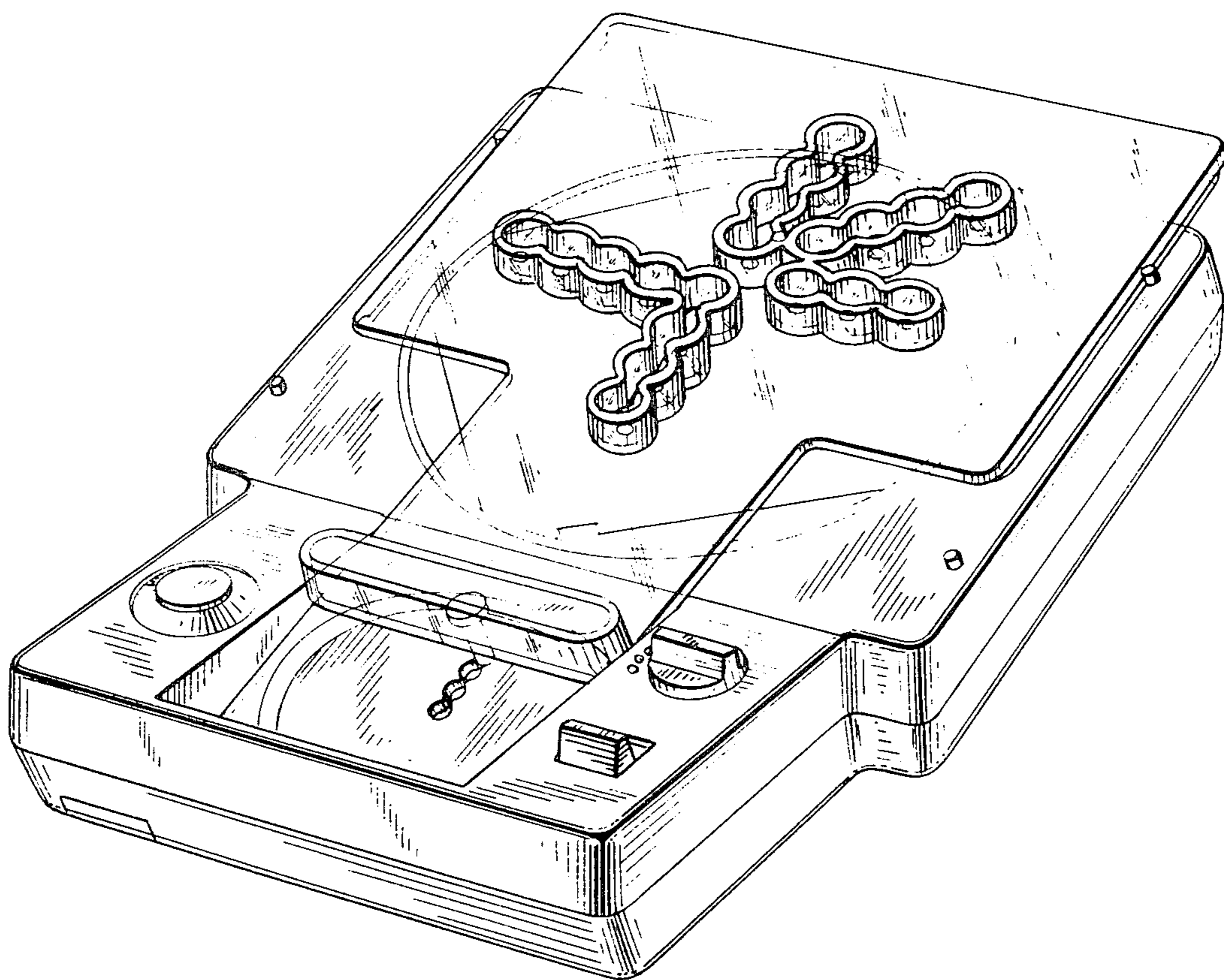


FIG. 2

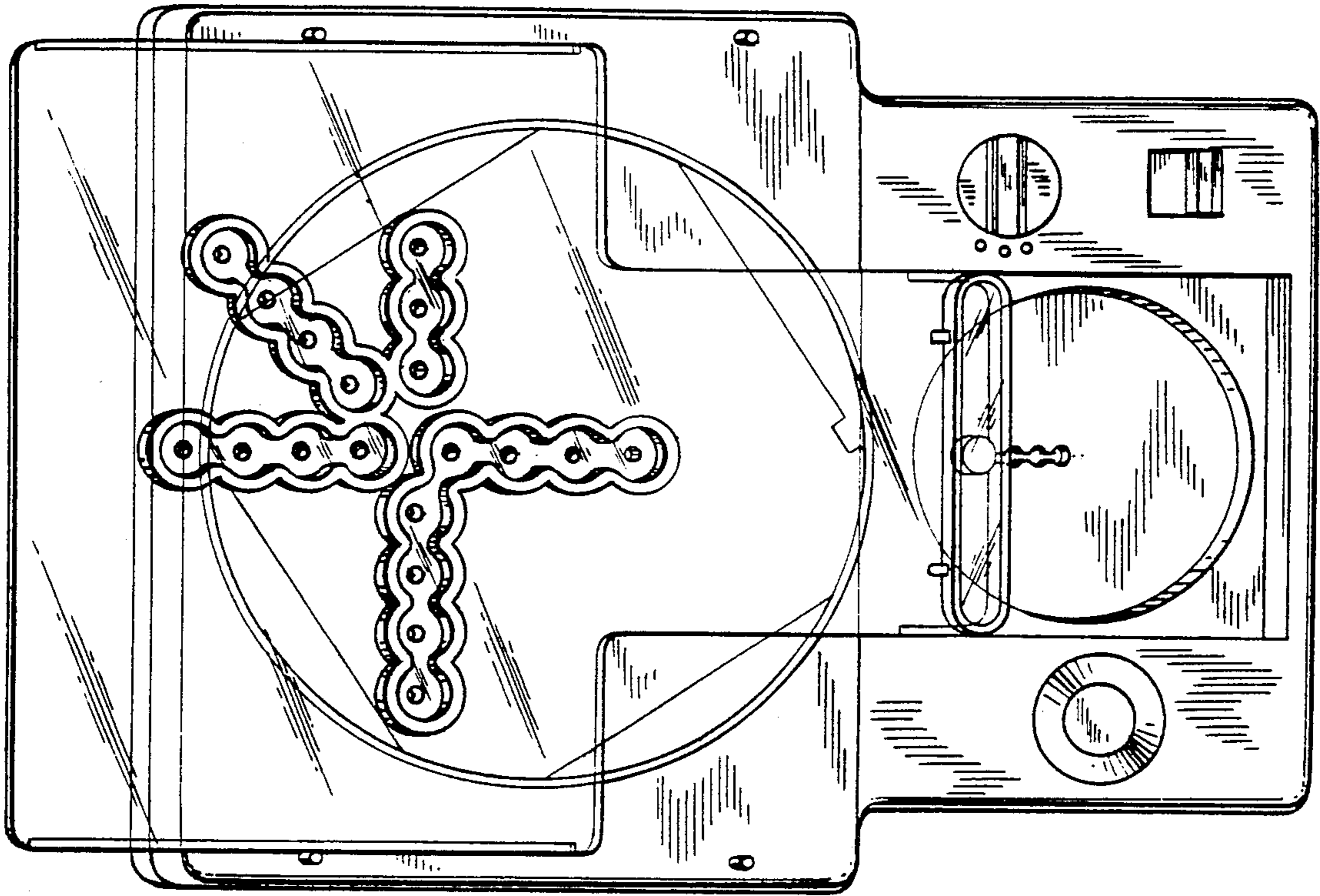


FIG. 3

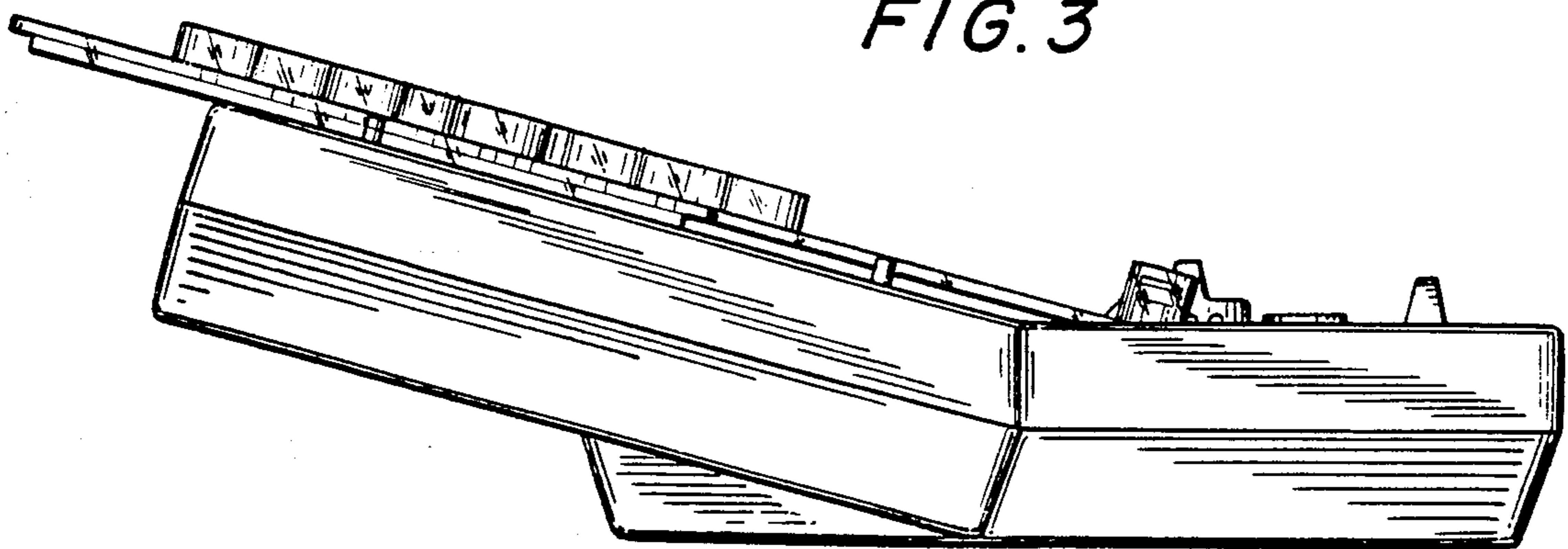


FIG. 4

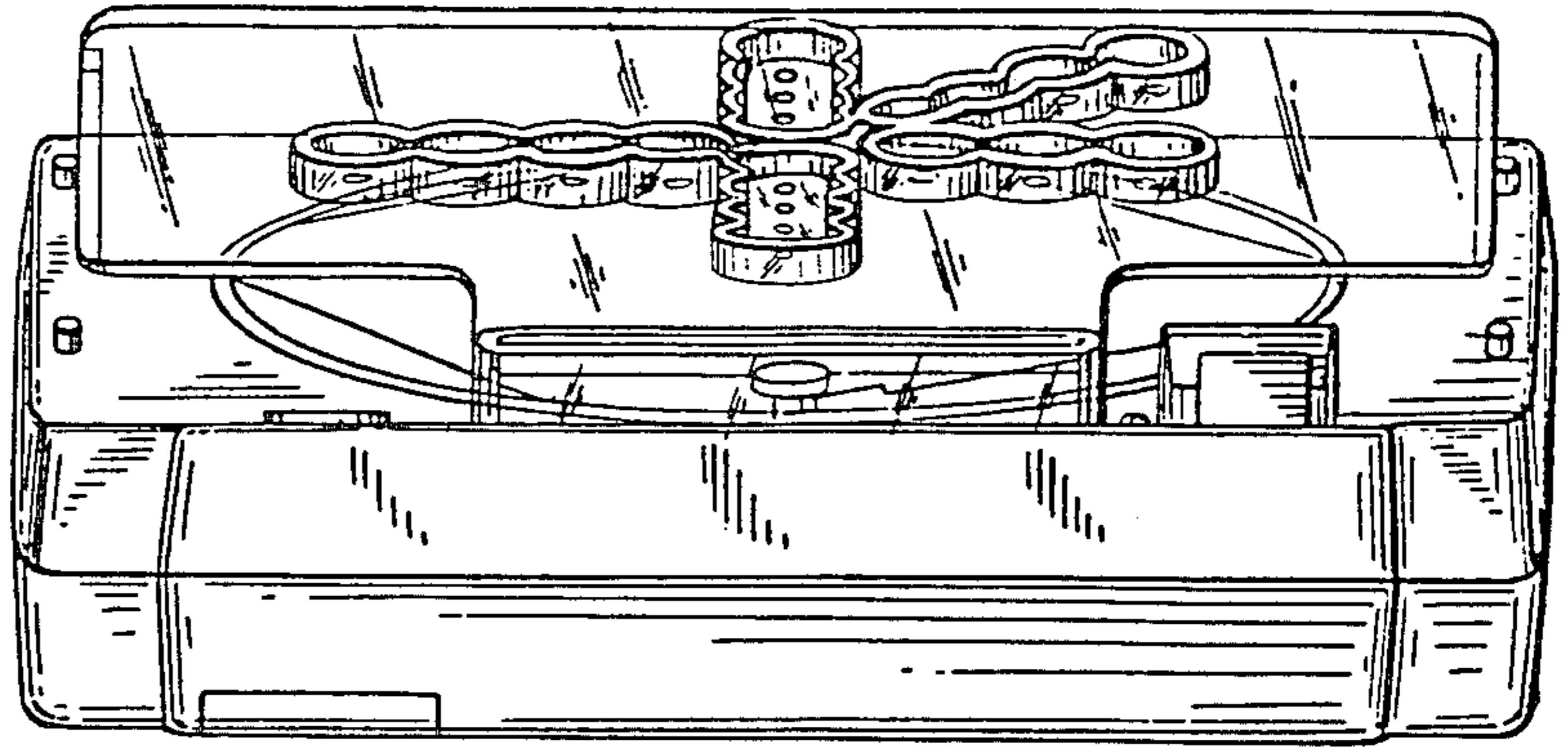


FIG. 5

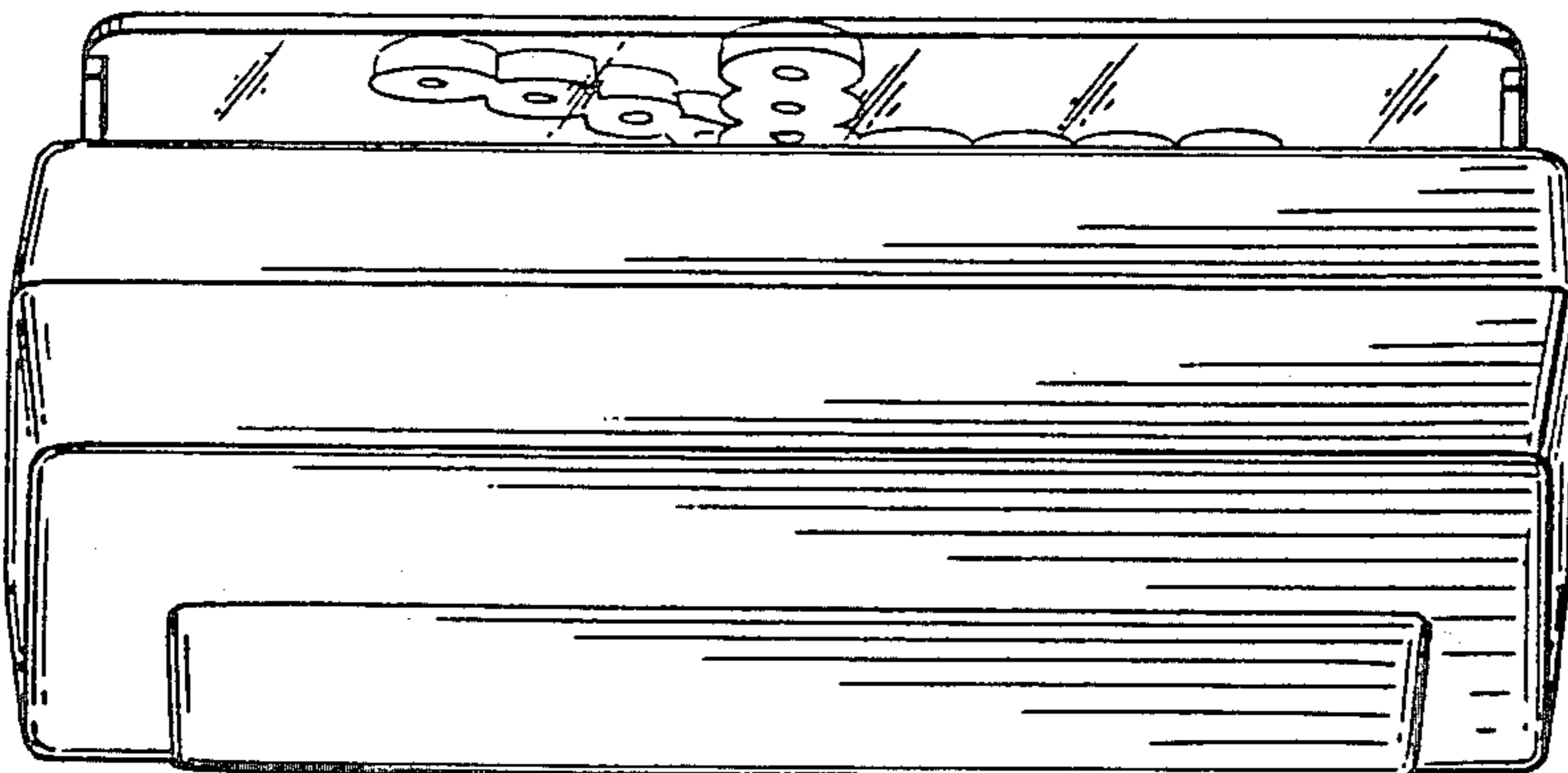


FIG. 6

