

[54] DISPLAY DEVICE

4,420,234 12/1983 Dolejsi ..... 40/463 X

[75] Inventor: Hugo K. Krop, Amsterdam, Netherlands

[73] Assignee: Text Lite BV, Amsterdam, Netherlands

[\*\*] Term: 14 Years

[21] Appl. No.: 401,730

[22] Filed: Jul. 26, 1982

[52] U.S. Cl. .... D20/10

[58] Field of Search ..... D20/10; 40/446-452, 40/463; 340/768

[56] References Cited

U.S. PATENT DOCUMENTS

3,374,565	3/1968	Woolfolk	.....	40/447
3,389,389	6/1968	Miner	.....	340/768
3,566,388	2/1971	Andrews et al.	.....	340/768
3,651,511	3/1972	Andrews et al.	.....	340/768 X

OTHER PUBLICATIONS

Visual Merchandising-Dec. 1981-p. 38—Sell-A-Vision Display.

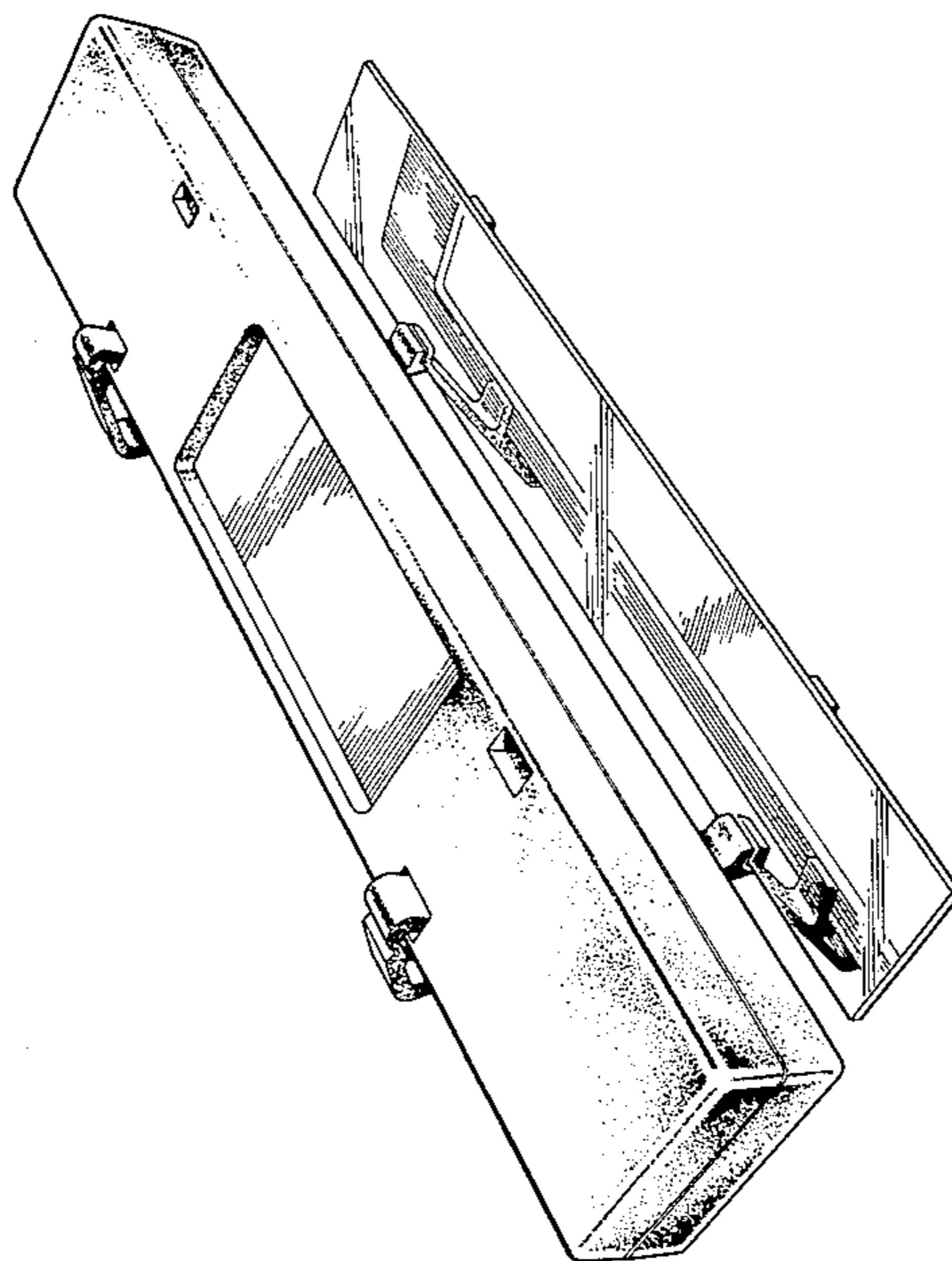
Primary Examiner—Catherine E. Kemper  
Attorney, Agent, or Firm—Majestic, Gallagher, Parsons & Siebert

[57] CLAIM

The ornamental design for a display device, substantially as shown and described.

DESCRIPTION

FIG. 1 is a rear perspective view of a display device showing my new design.  
FIG. 2 is a left side elevational view thereof.  
FIG. 3 is a right side elevational view thereof.  
FIG. 4 is a front sectional view taken along lines I—I of FIG. 2.  
FIG. 5 is a front elevational view thereof.  
FIG. 6 is a bottom view thereof.



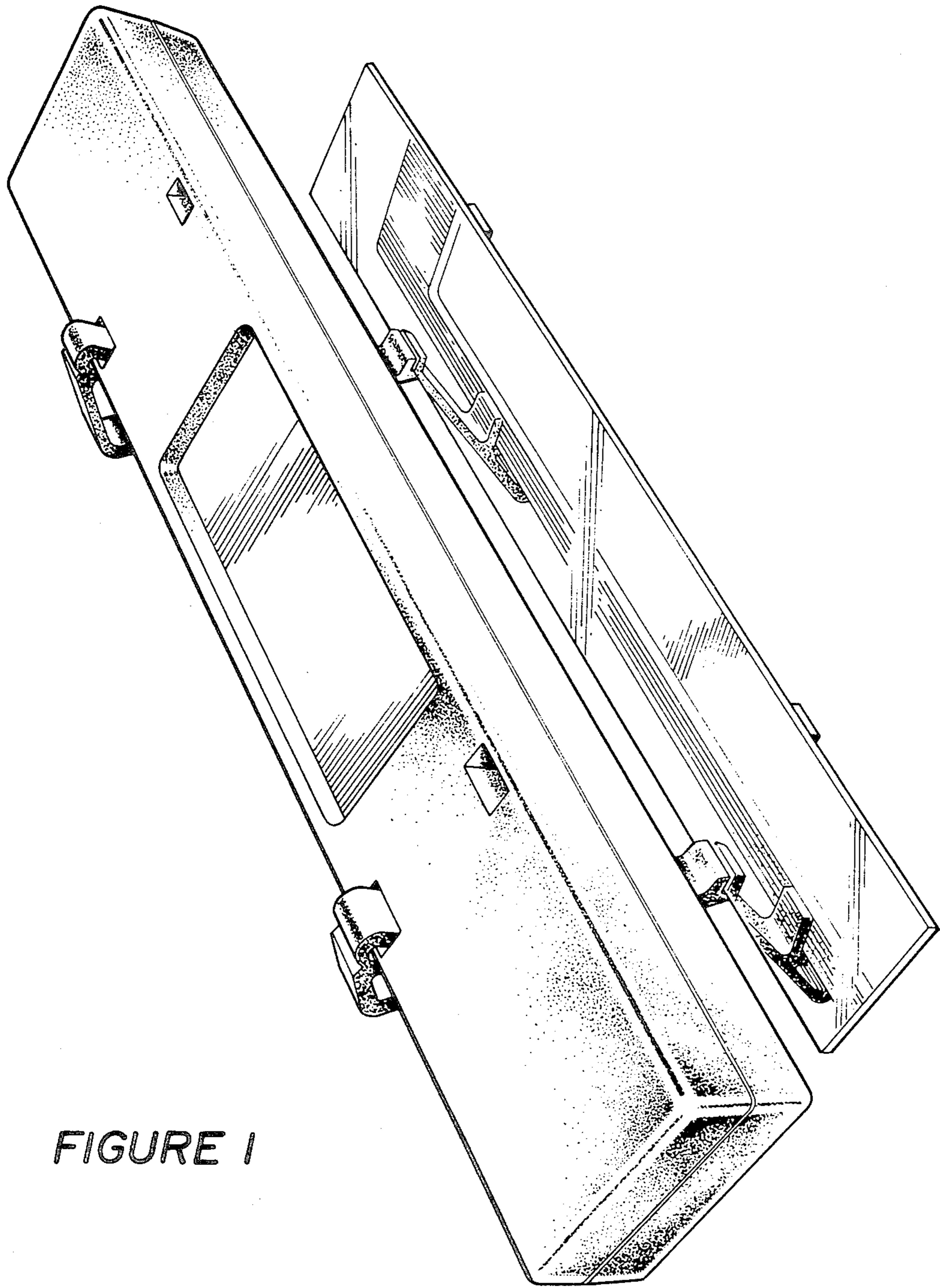


FIGURE 1

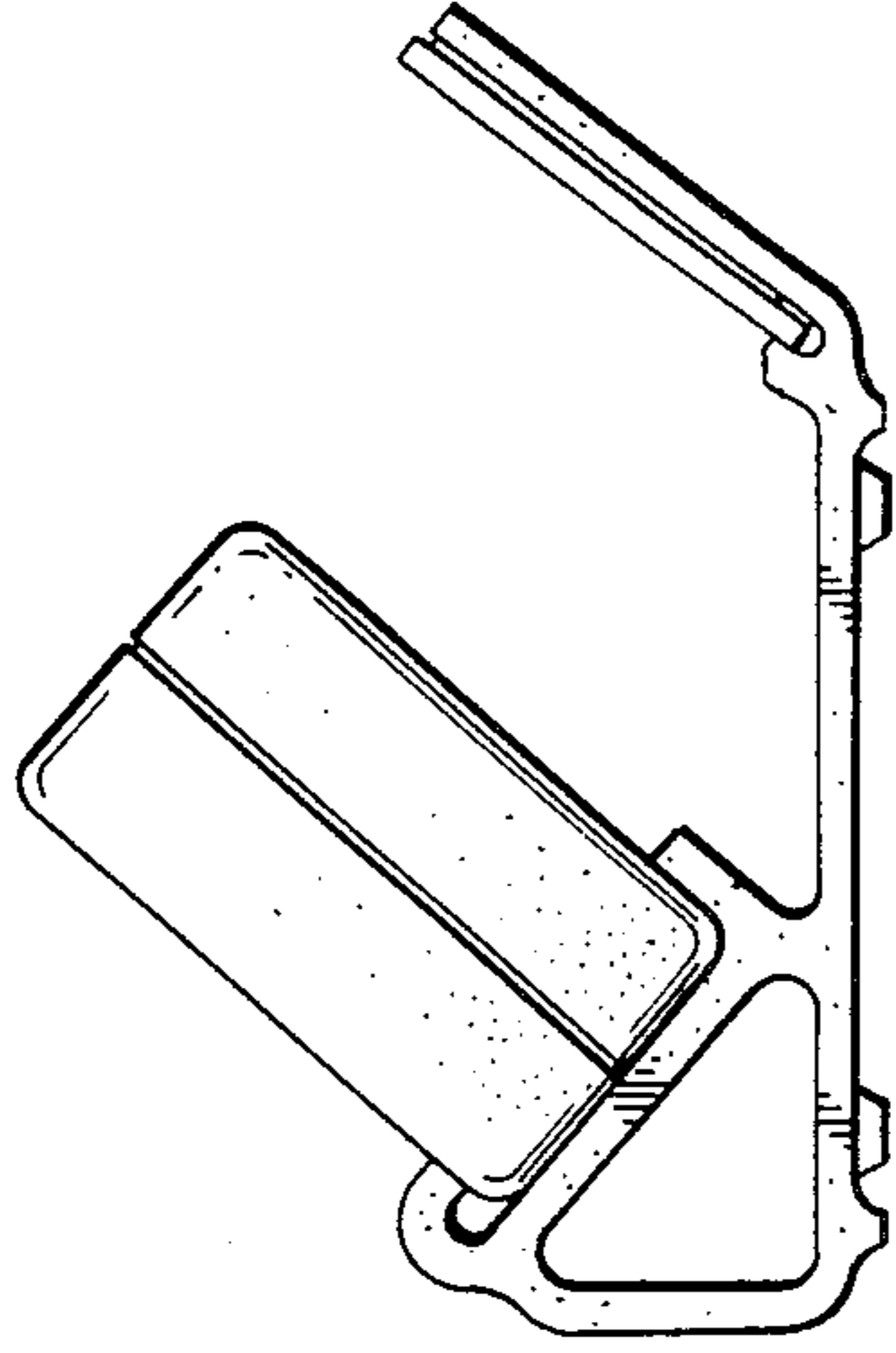


FIGURE 3

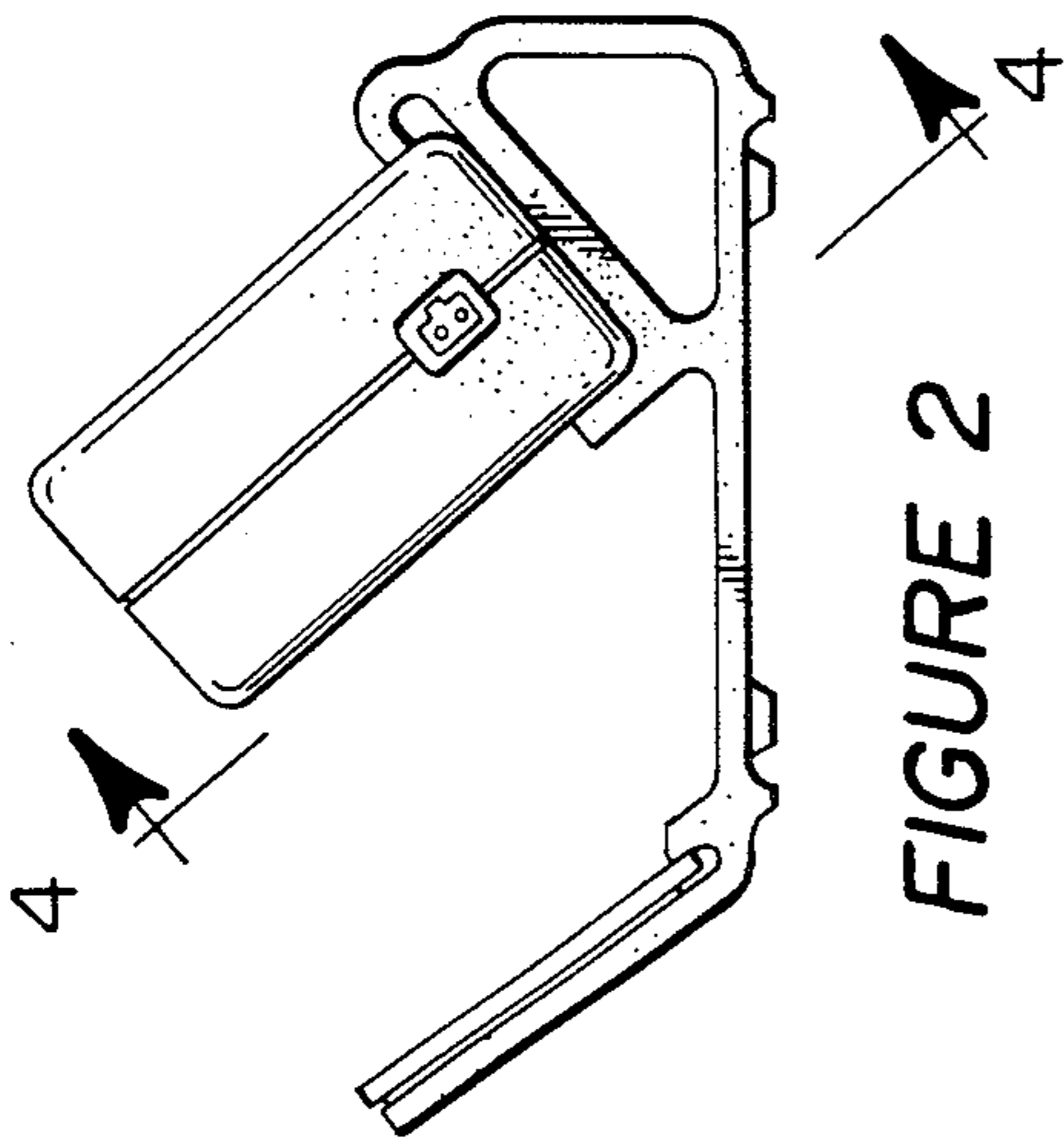


FIGURE 2

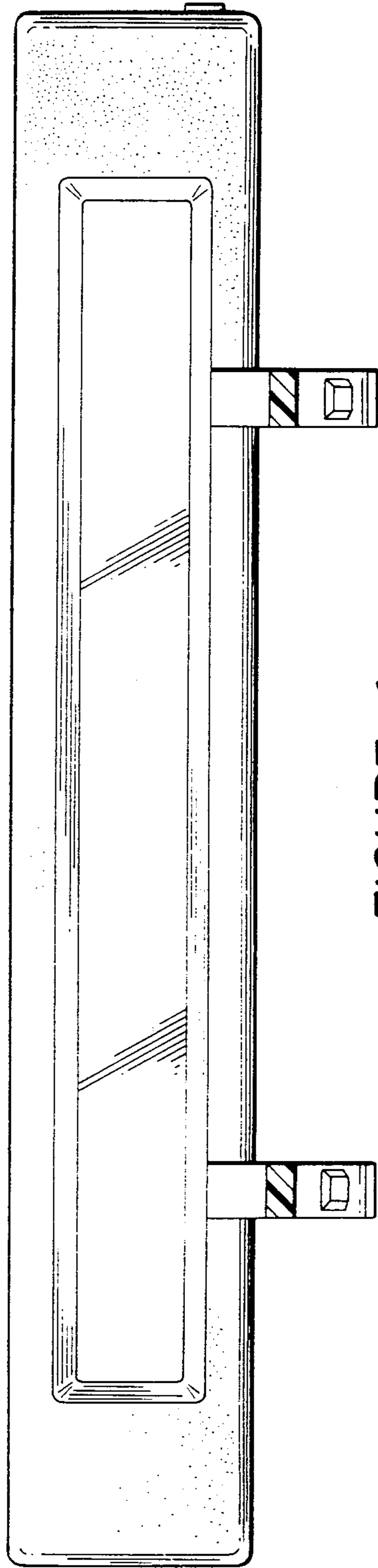


FIGURE 4

FIGURE 5

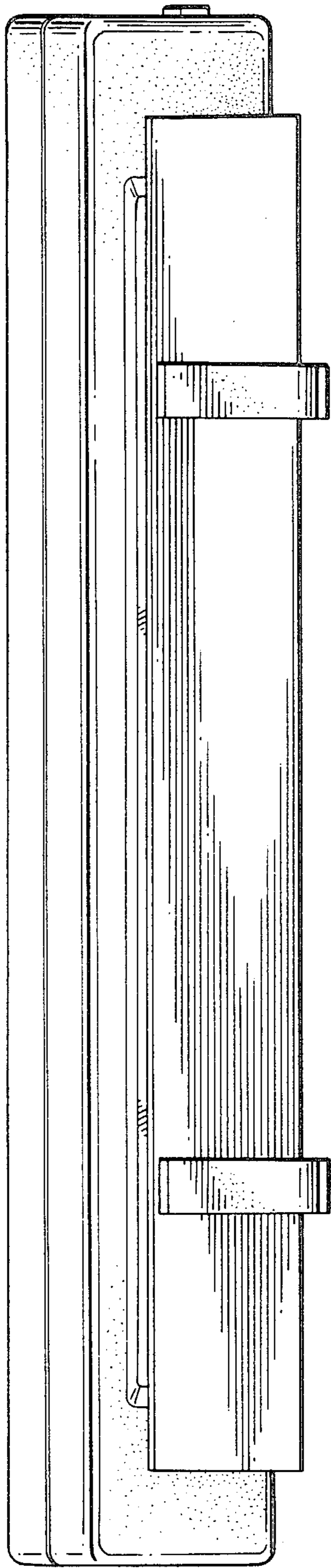


FIGURE 6

