

[54] COVERED SWIVEL CARD FILE

4,079,531 3/1978 Norris et al. .... D19/76

[75] Inventors: Robert W. Burton, Franklin Lakes; Joseph C. Crowley, Jr., Summit; Richard A. Davi, Glenwood, all of N.J.; Albrecht Goertz, New York, N.Y.

Primary Examiner—George P. Word  
Attorney, Agent, or Firm—Robert E. Burns; Emmanuel J. Lobato; Bruce L. Adams

[73] Assignee: Rolodex Corporation, Secaucus, N.J.

[57] CLAIM

The ornamental design for a covered swivel card file, as shown and described.

[\*\*] Term: 14 Years

DESCRIPTION

[21] Appl. No.: 308,482

FIG. 1 is a front side perspective view of a covered swivel card file showing our new design, the file being shown in closed condition.

[22] Filed: Oct. 5, 1981

[52] U.S. Cl. .... D19/76

FIG. 2 is a front side perspective view thereof with the file shown in open condition.

[58] Field of Search ..... D19/75, 76, 78, 89; 40/377, 379; 211/58

FIG. 3 is a front side perspective view thereof with the file shown in open condition and with cards removed.

[56] References Cited

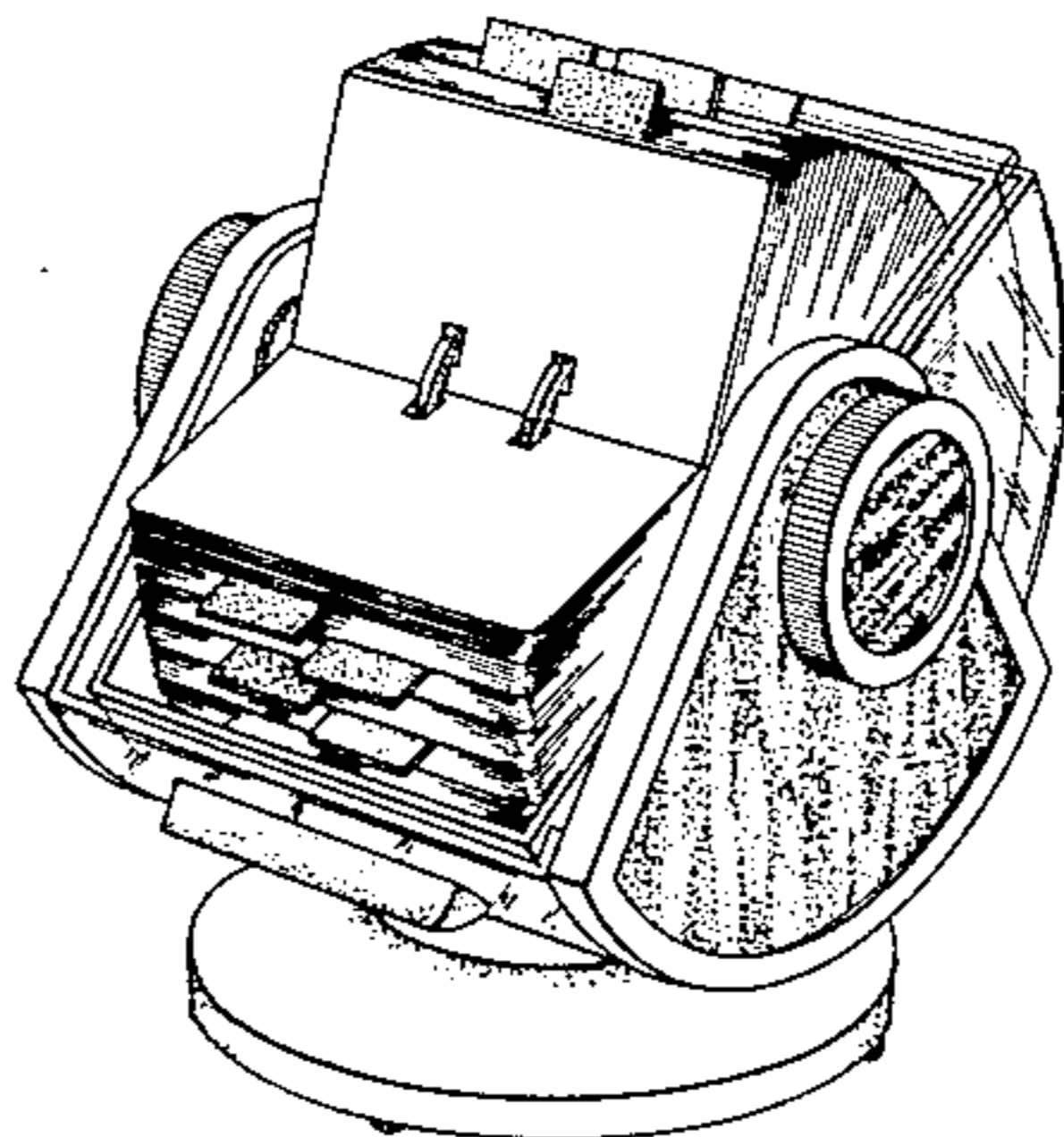
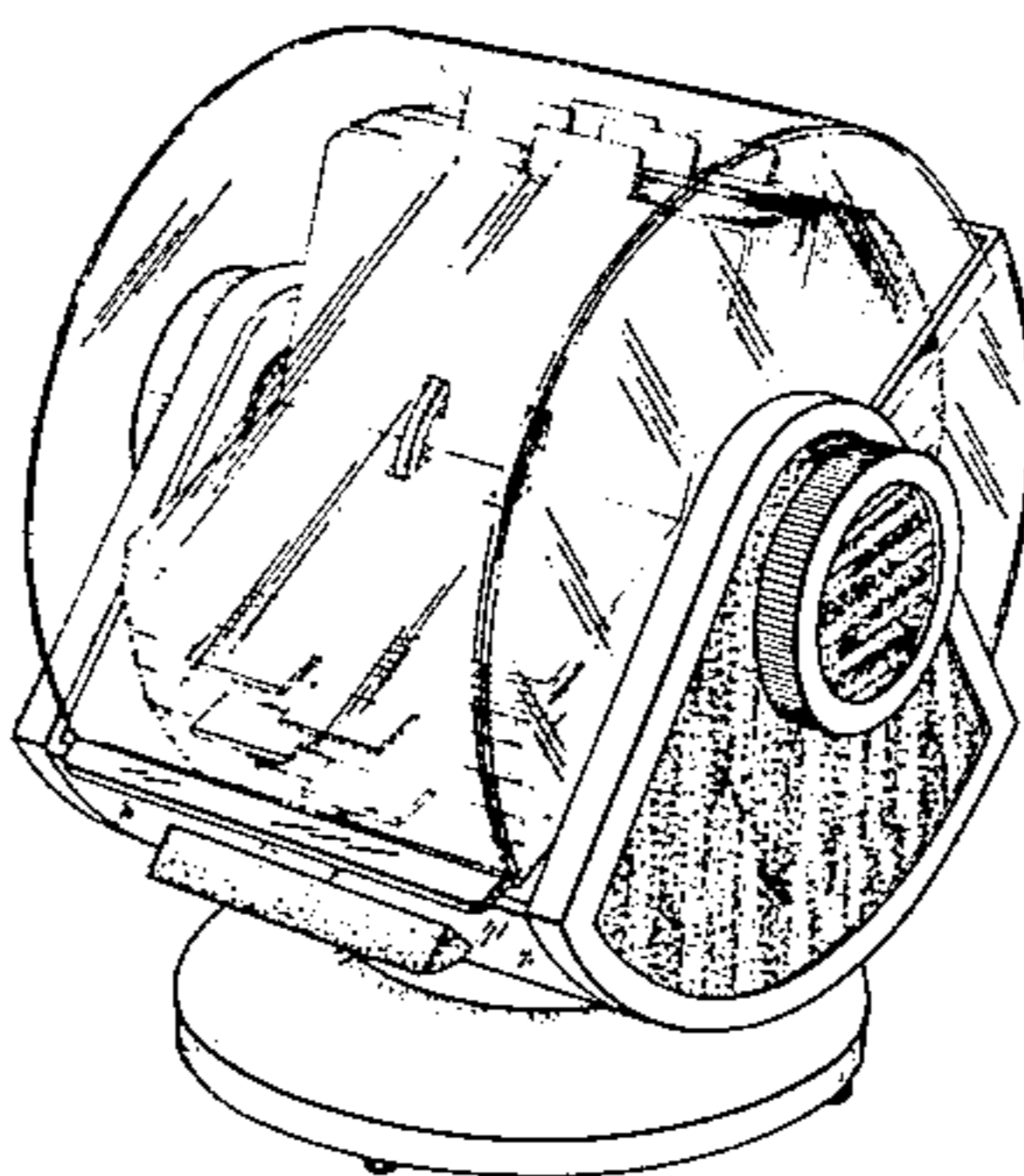
U.S. PATENT DOCUMENTS

D. 231,495 4/1974 Saltz ..... D19/76  
4,035,938 7/1977 Neilsen ..... 40/379

FIG. 4 is a rear side perspective view thereof with the file shown in closed condition, and

FIG. 5 is a bottom plan view thereof.

The card file is characterized in that the casing and cover are at least semitransparent.



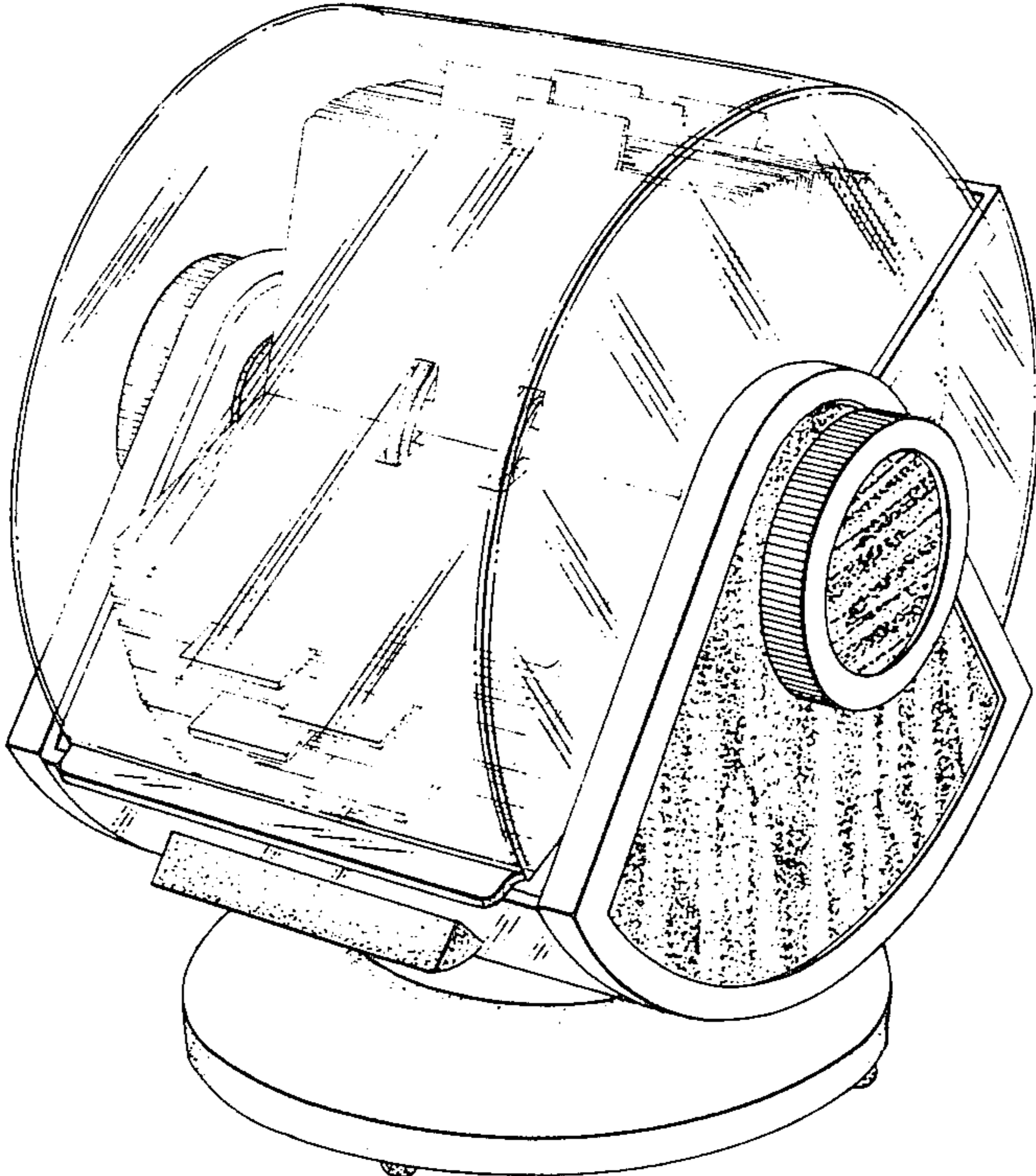


FIG. 1

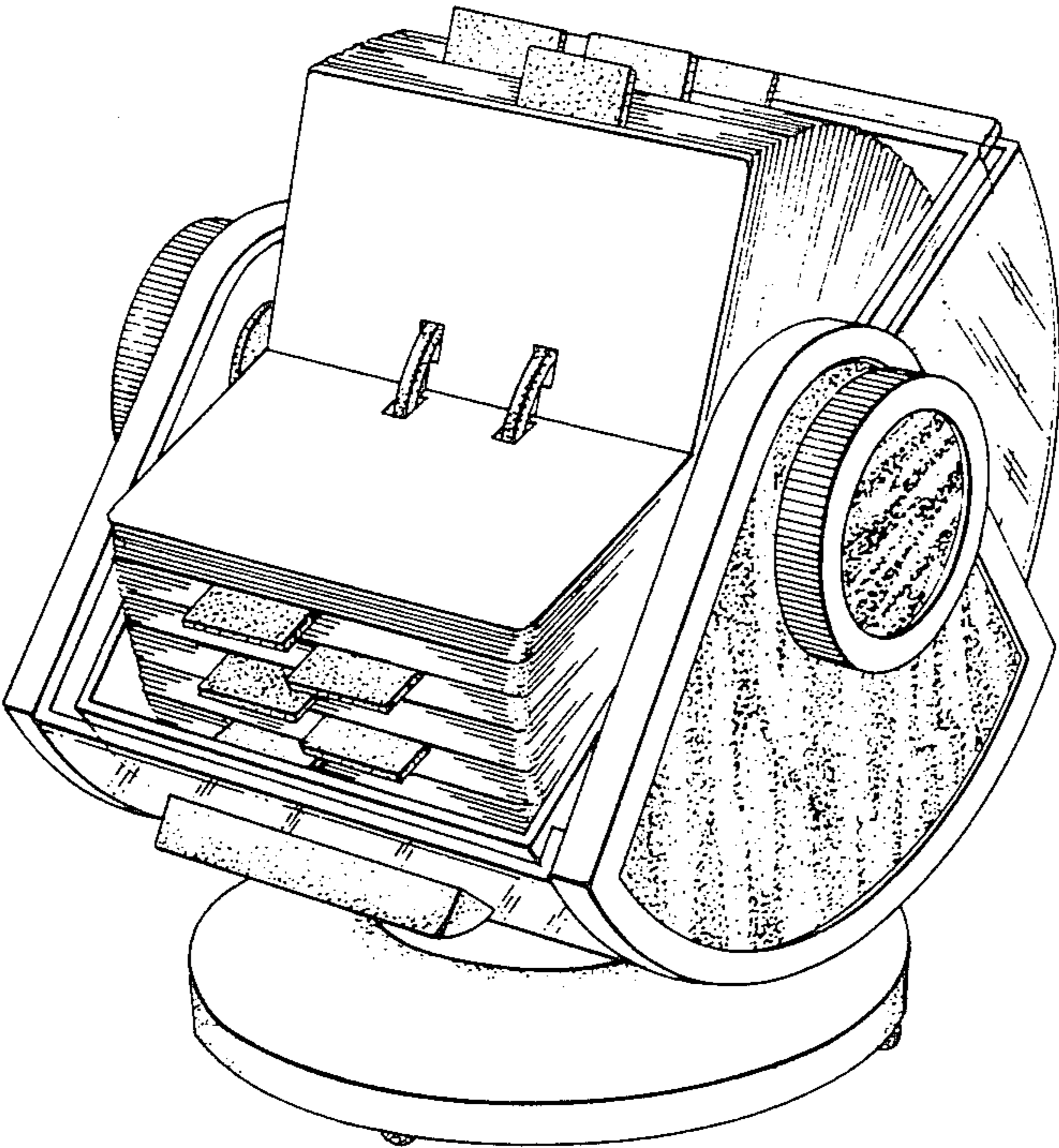
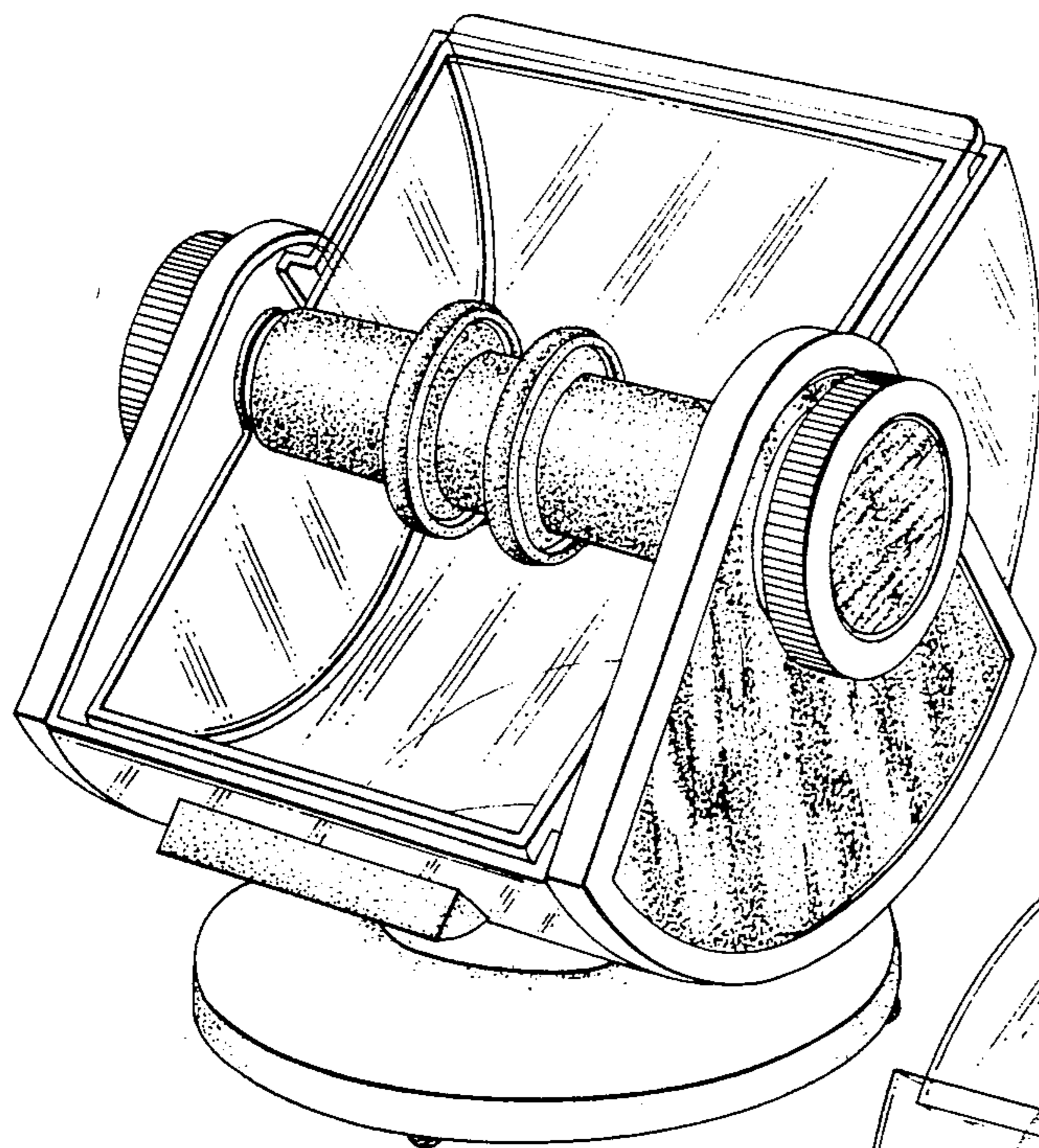
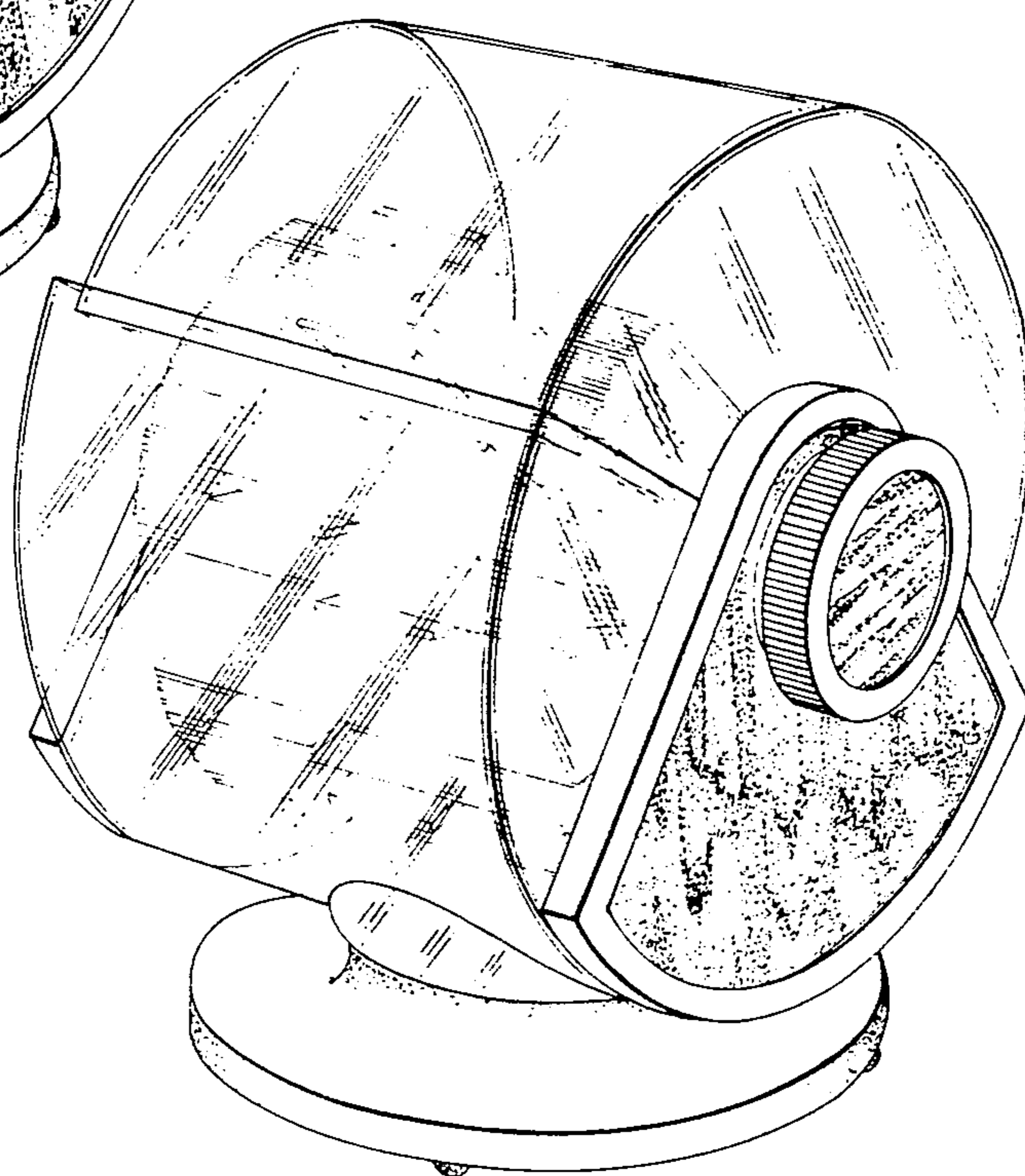


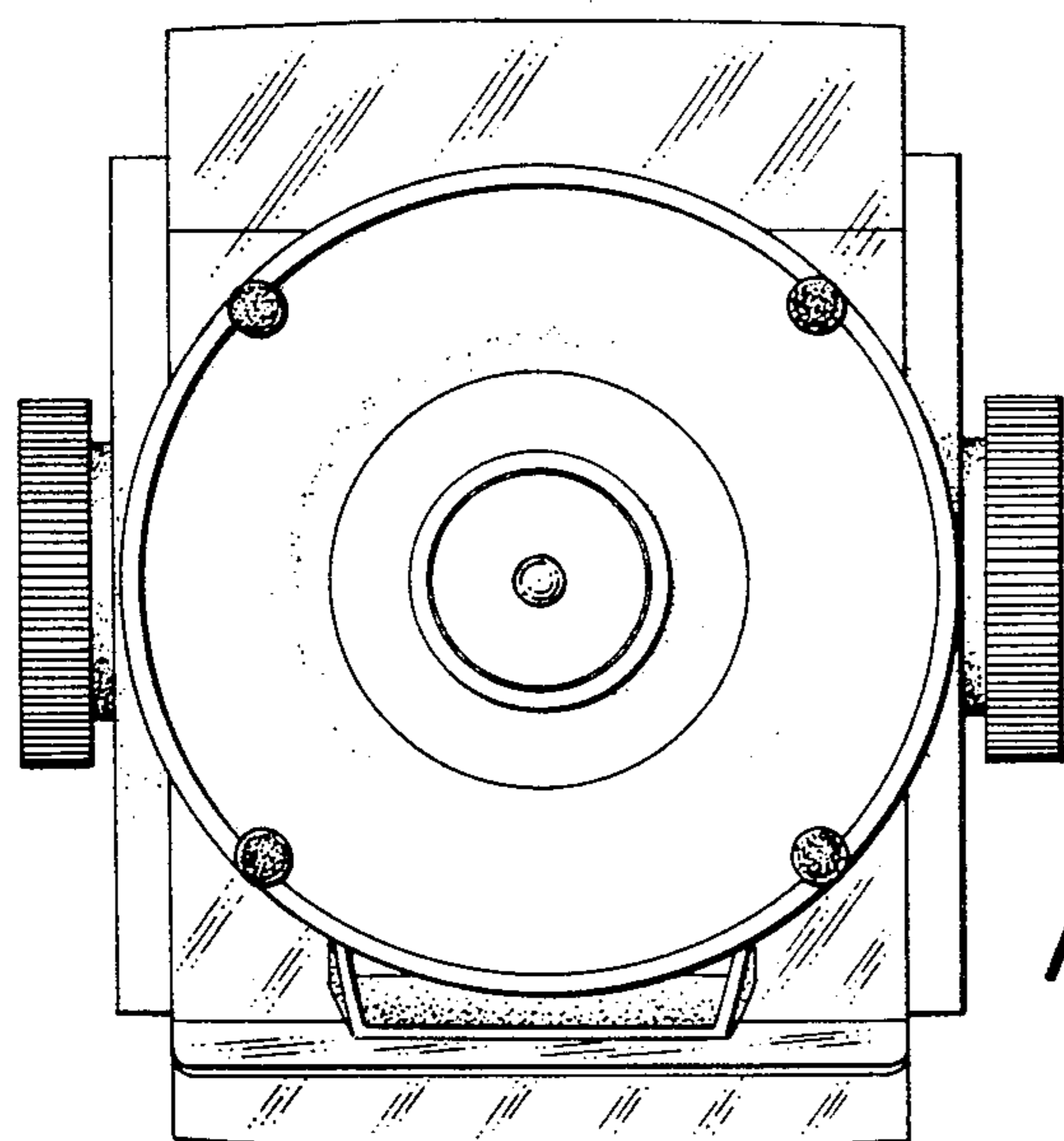
FIG. 2



*FIG. 3*



*FIG. 4*



*FIG. 5*