

[54] PRINTER

[75] Inventor: Junichi Sakamoto, Osaka, Japan

[73] Assignee: Sharp Corporation, Osaka, Japan

[**] Term: 14 Years

[21] Appl. No.: 436,297

[22] Filed: Oct. 25, 1982

[30] Foreign Application Priority Data

| | | |
|----------------------|-------|--|
| Apr. 27, 1982 [JP] | Japan | 57-18581 |
| [52] U.S. Cl. | | D14/111 |
| [58] Field of Search | | D14/100-116; D18/13, 23; 400/691, 693 |

[56] References Cited
PUBLICATIONS

Computer Design, 6-1979, p. 150, Dataroyal IPS® 7000 120/200 Printer.

Radio Shack TRS-80® Microcomputer Catalog, ©1979, p. 17, TRS-80 Line Printer III.

Primary Examiner—Susan J. Lucas
Attorney, Agent, or Firm—Flehr, Hohbach, Test, Albritton & Herbert

[57] CLAIM

The ornamental design for a printer, as shown and described.

DESCRIPTION

FIG. 1 is a top plan view of the printer showing my new design;

FIG. 2 is a bottom plan view thereof;

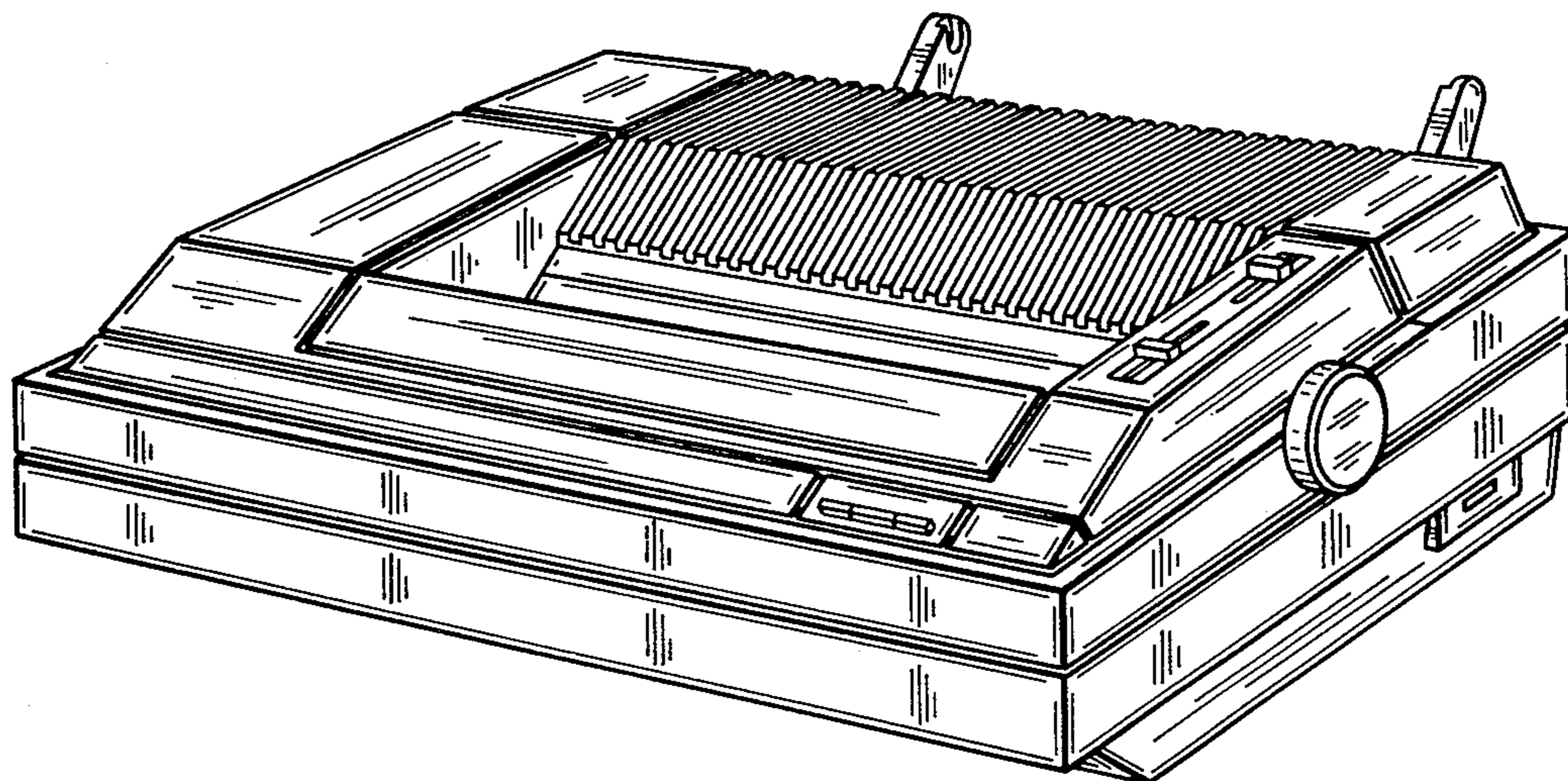
FIG. 3 is a front elevational view thereof;

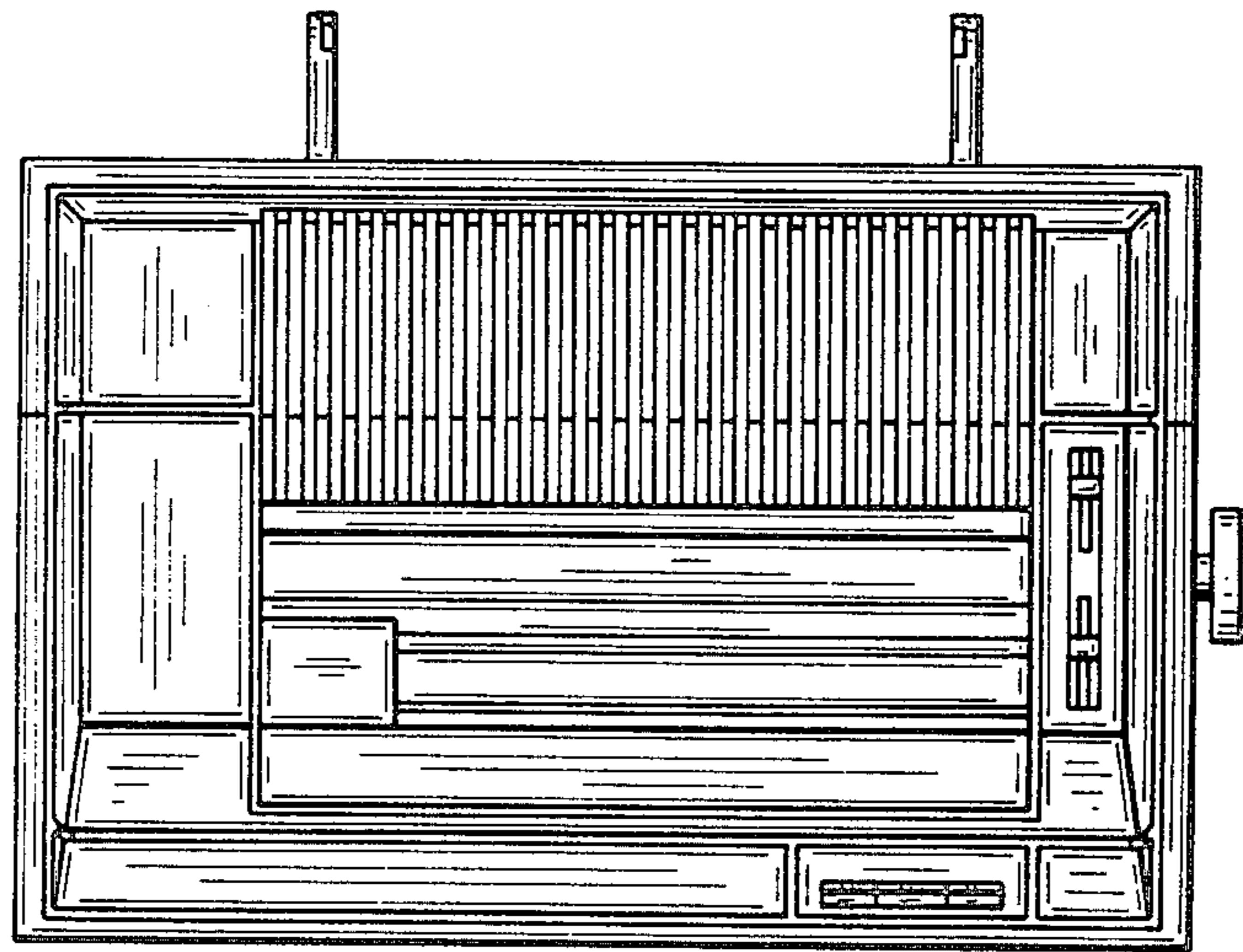
FIG. 4 is a rear elevational view thereof;

FIG. 5 is a right side elevational view thereof;

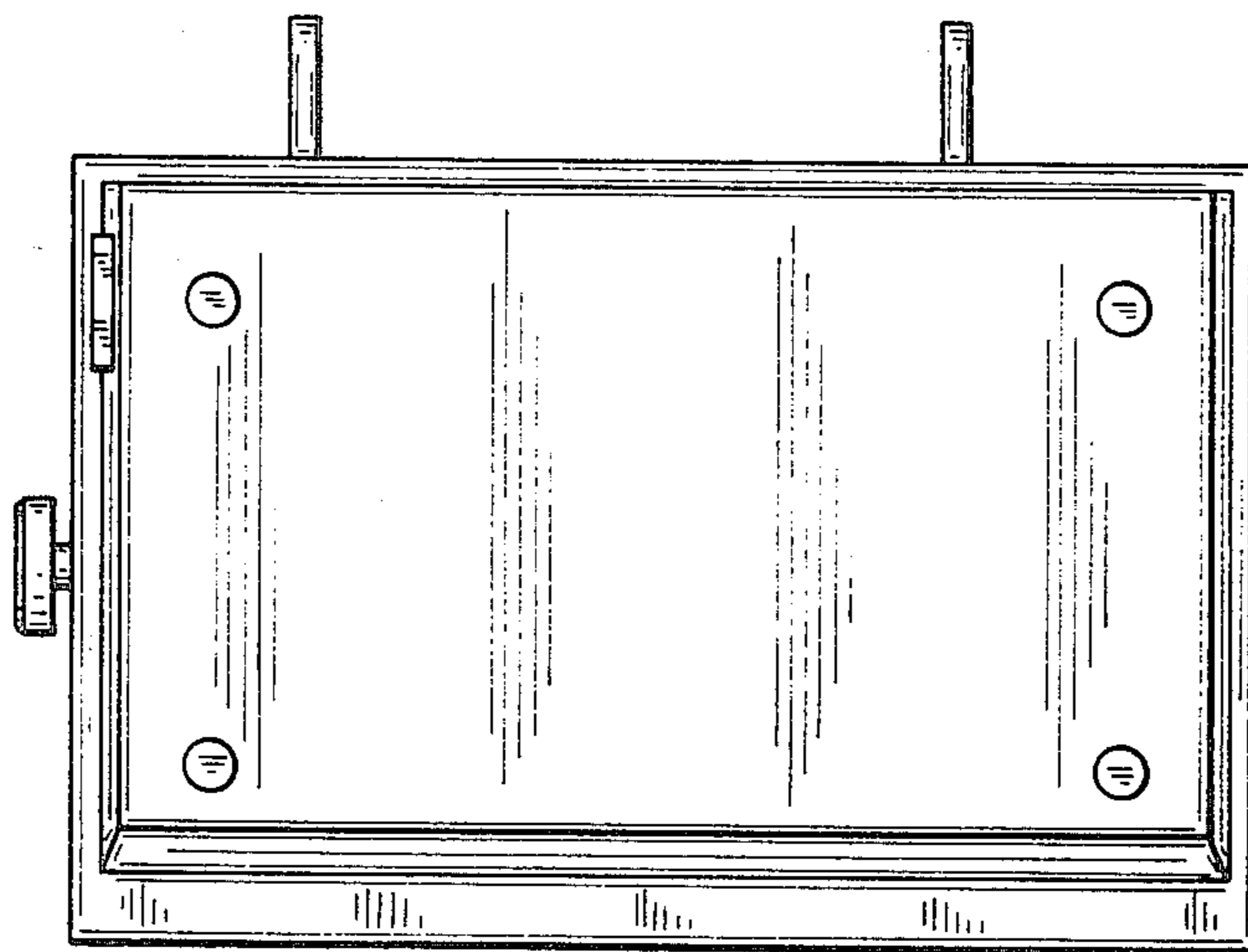
FIG. 6 is a left side elevational view thereof; and

FIG. 7 is a perspective view thereof.

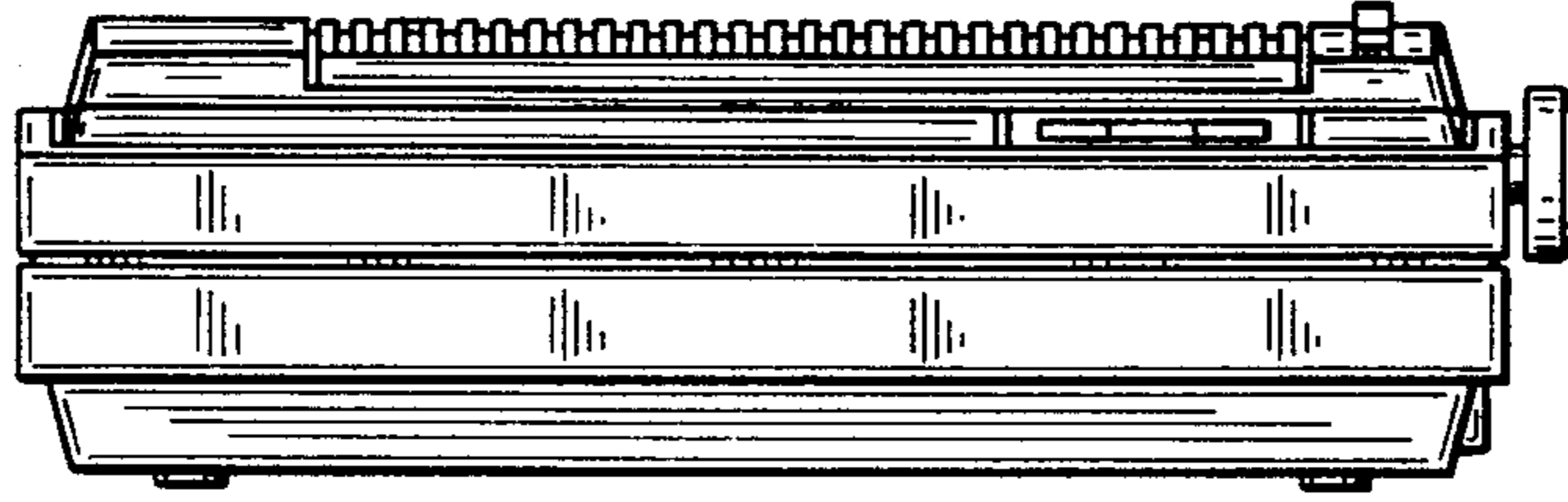




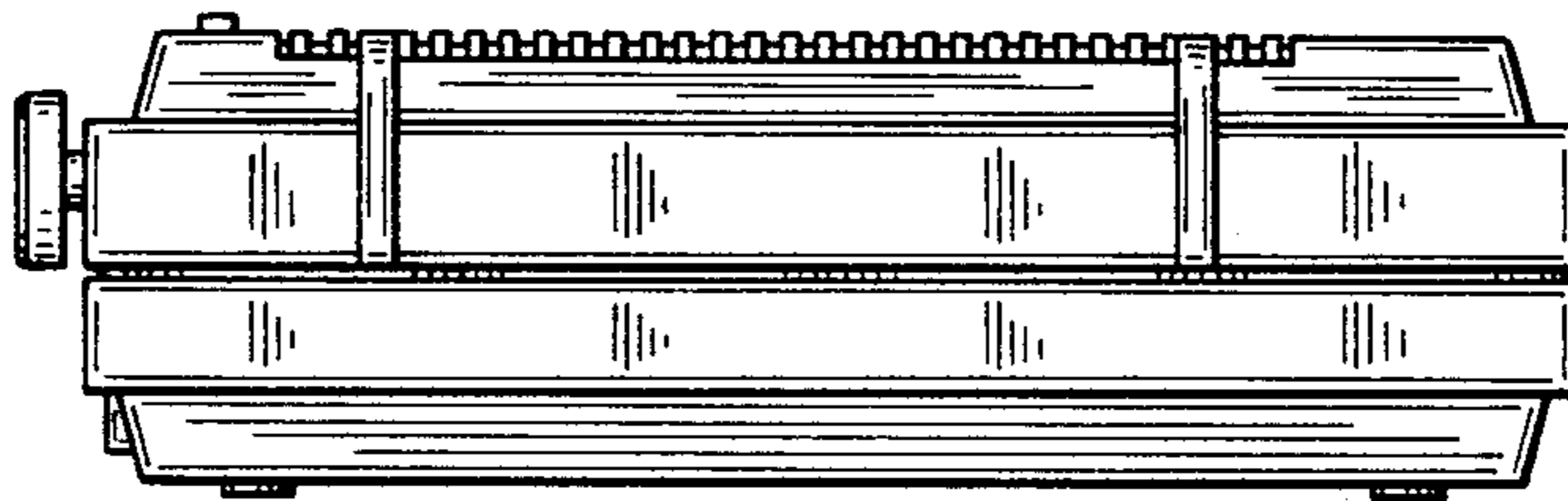
FIG_1



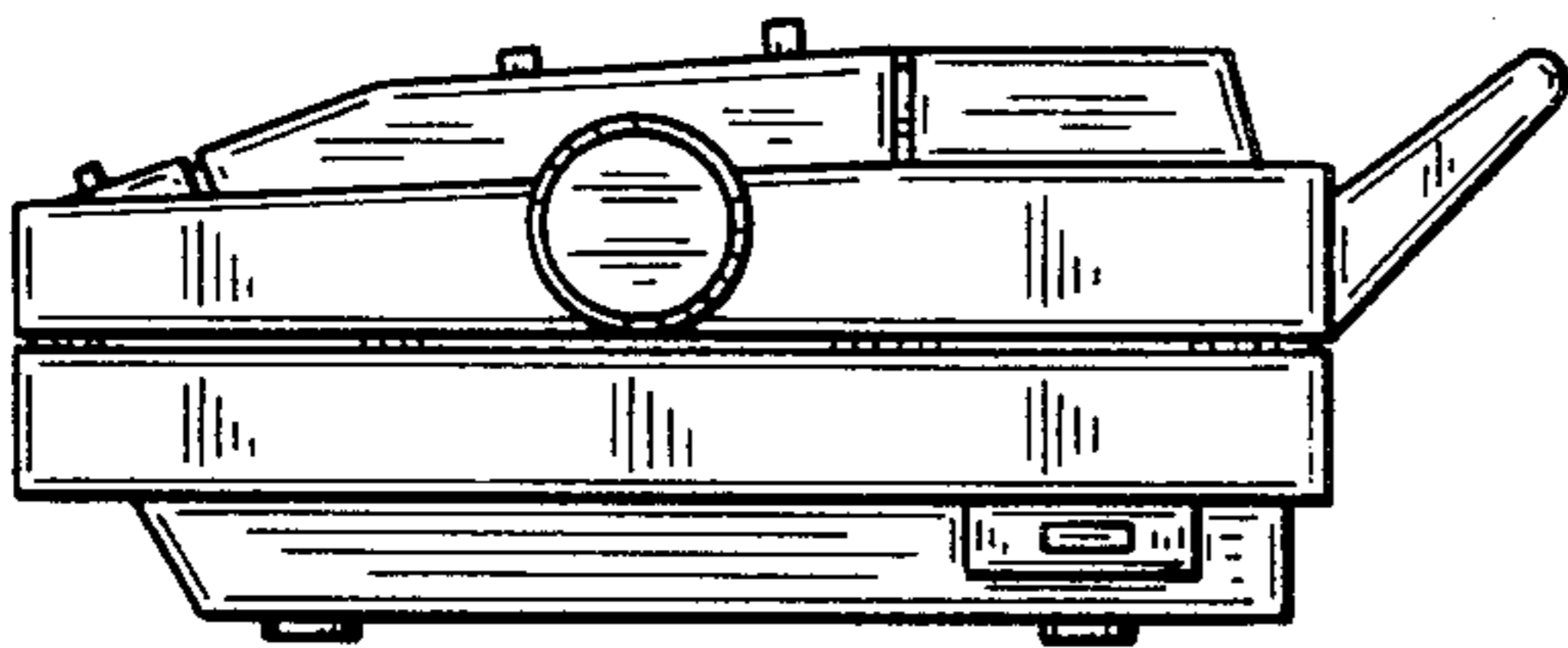
FIG_2



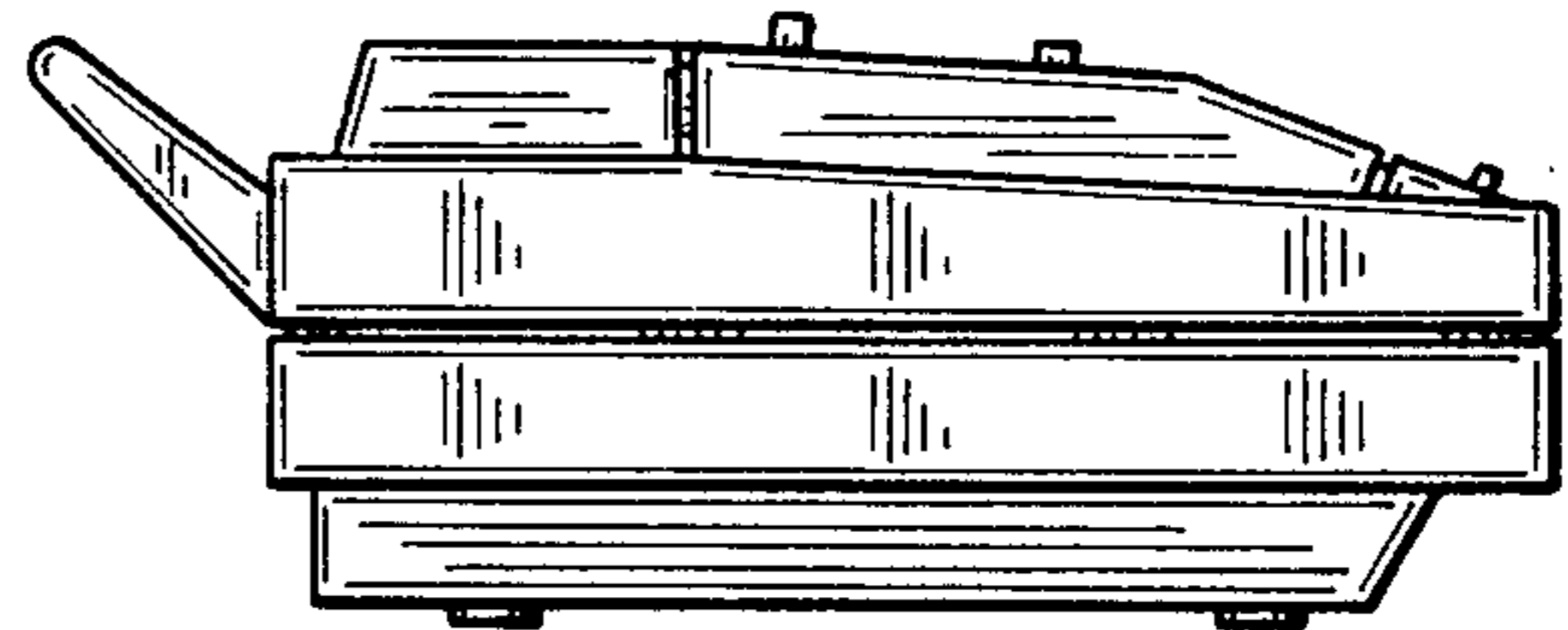
FIG_3



FIG_4



FIG_5



FIG_6

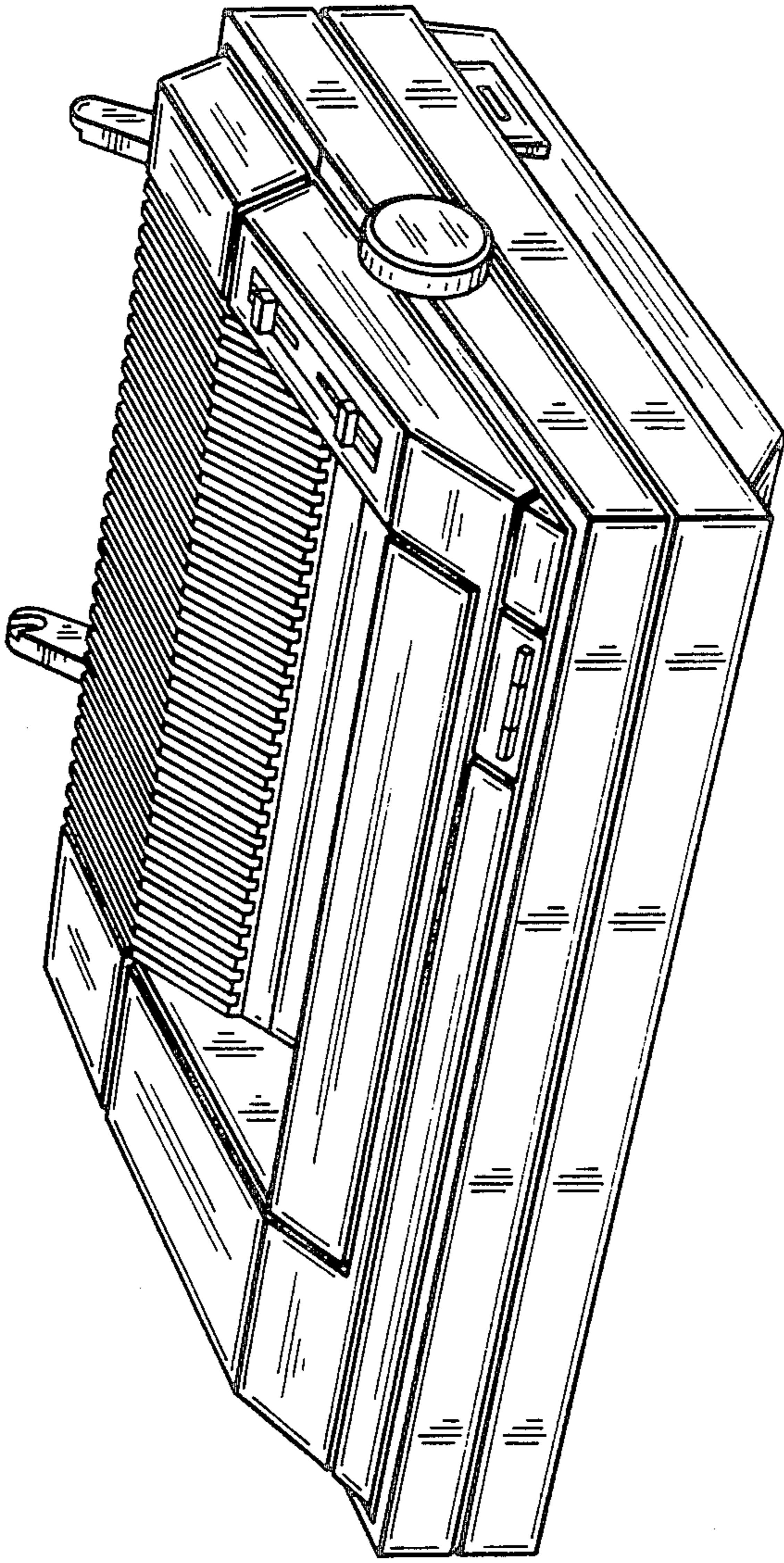


FIG-7