

[54] TERMINAL PIN

[75] Inventor: Trevor Armistead, Ulverston, England

[73] Assignee: Oxley Developments Company Limited, London, England

[**] Term: 14 Years

[21] Appl. No.: 421,708

[22] Filed: Sep. 22, 1982

[30] Foreign Application Priority Data

Mar. 26, 1982 [GB] United Kingdom 1005829

[52] U.S. Cl. D13/24

[58] Field of Search D13/24; 339/17 C, 17 R, 339/252 R, 252 P

[56] References Cited

U.S. PATENT DOCUMENTS

- 1,114,366 10/1914 Knauff 339/252 R X
- 3,391,567 7/1968 Gregory 339/252 P X
- 3,403,373 9/1968 Dereymaeker et al. 339/252 P

FOREIGN PATENT DOCUMENTS

- 603260 9/1934 Fed. Rep. of Germany ... 339/252 R
- 598213 9/1925 France 339/252 R

Primary Examiner—Susan J. Lucas
Attorney, Agent, or Firm—Beveridge, De Grandi & Weilacher

[57] CLAIM

The ornamental design for a terminal pin, as shown and described.

DESCRIPTION

FIG. 1 is a perspective view of a terminal pin showing my new design;
 FIG. 2 is a perspective view from the opposite end thereof;
 FIG. 3 is a side elevational view thereof, the opposite side being identical;
 FIG. 4 is an elevational view thereof as seen from the right end of FIG. 3;
 FIG. 5 is an elevational view as seen from the left end of FIG. 3.

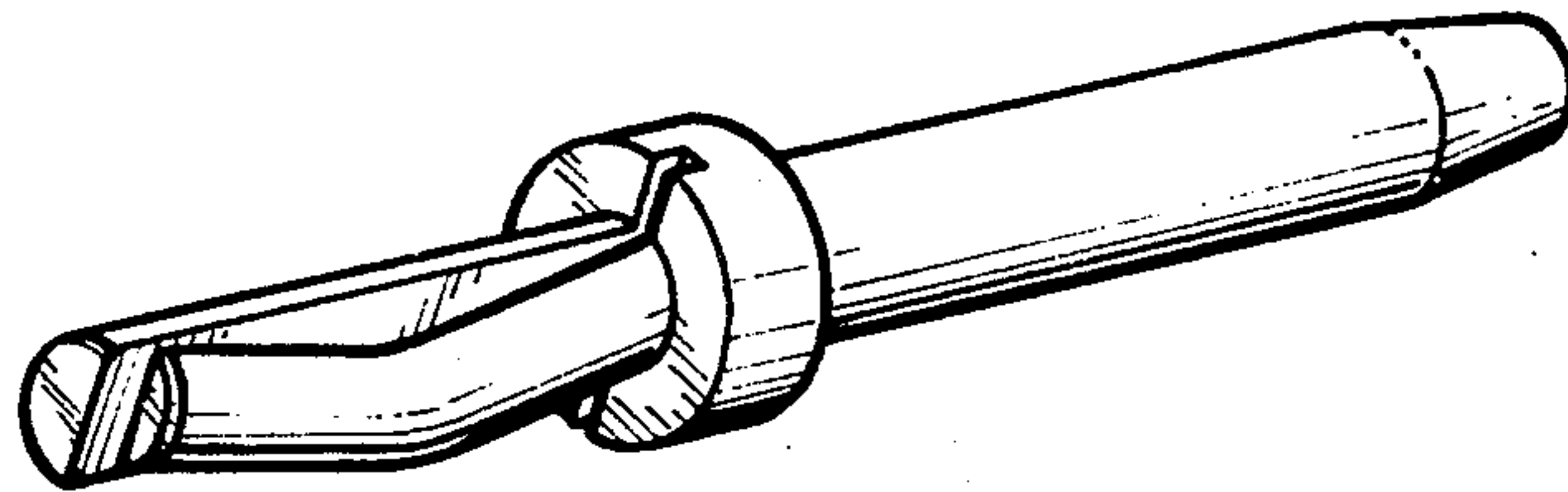


FIG. 1

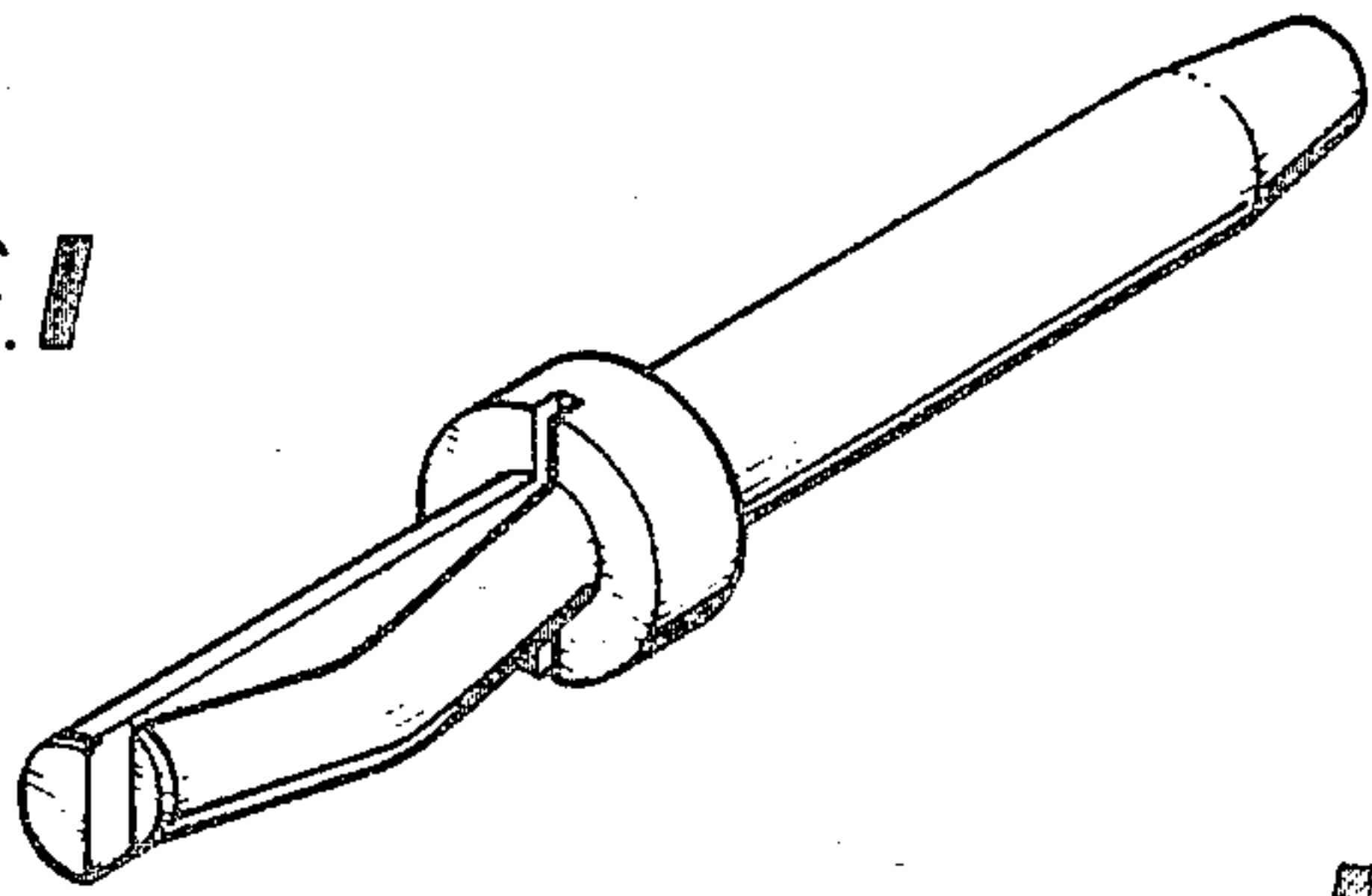


FIG. 2

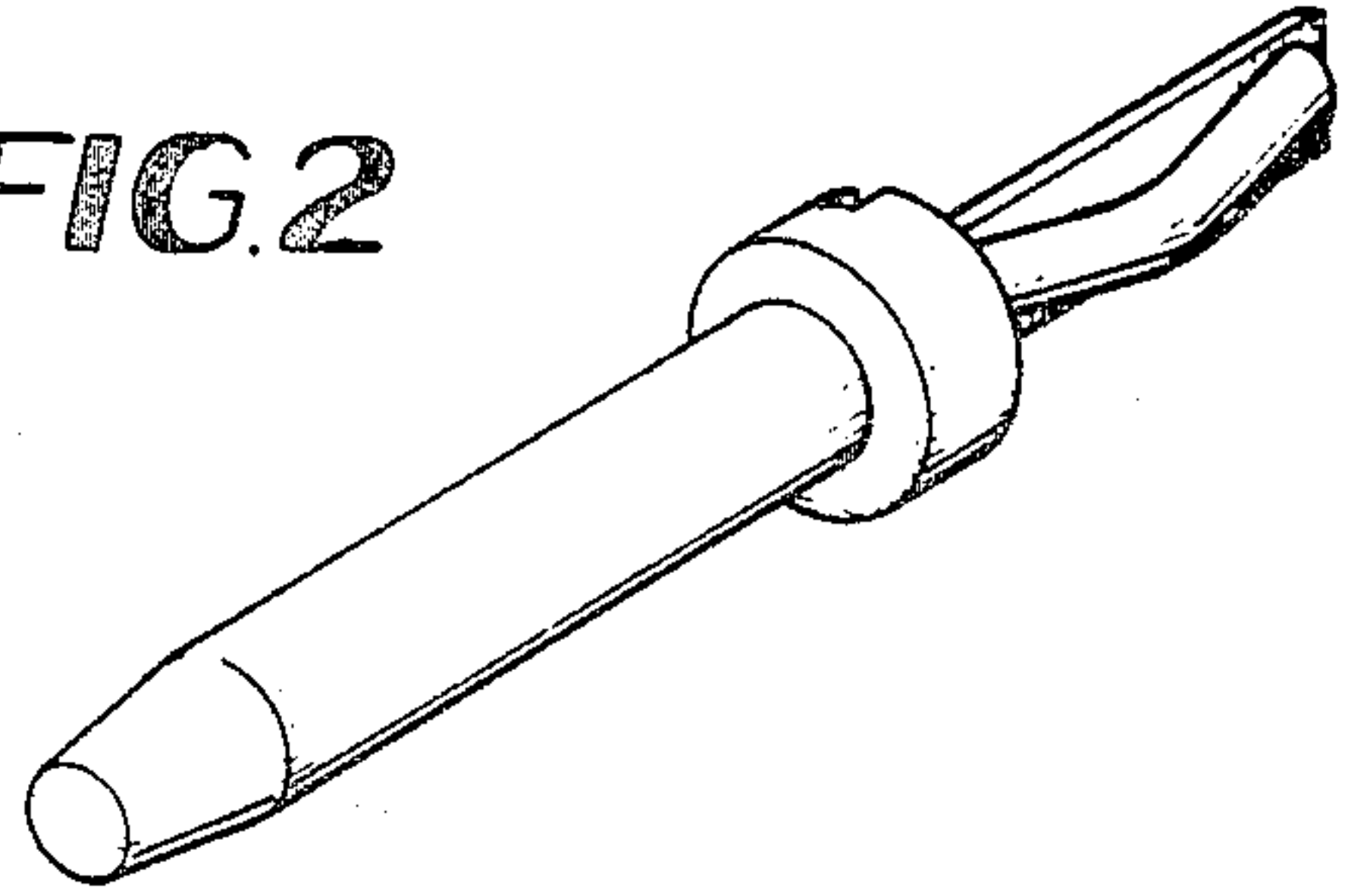


FIG. 3

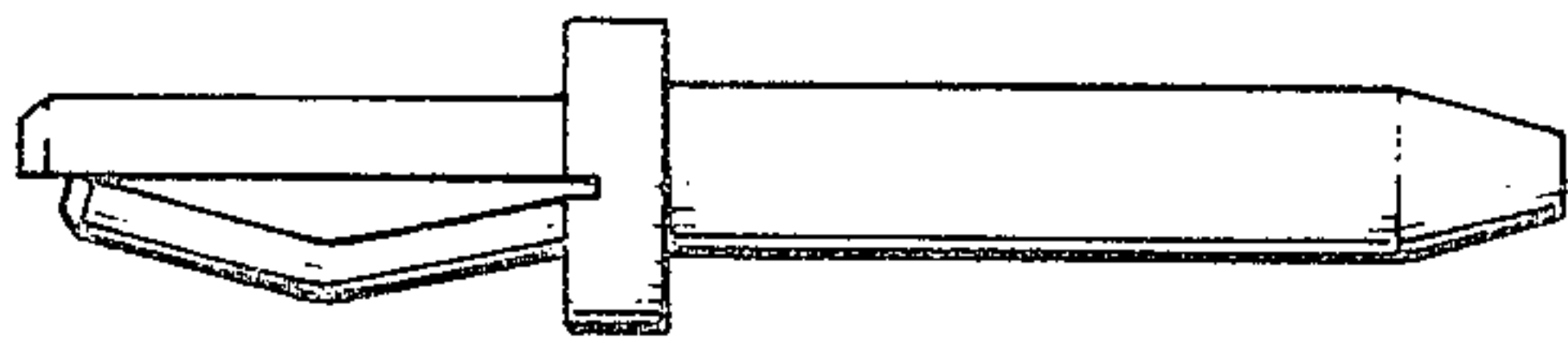


FIG. 4

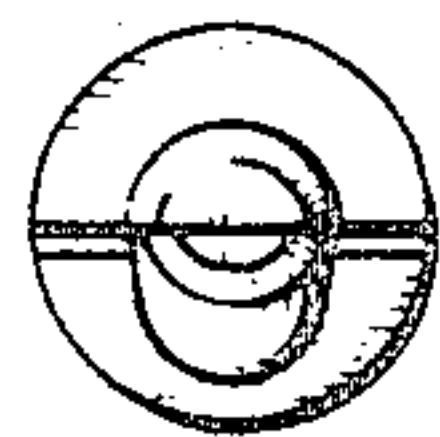
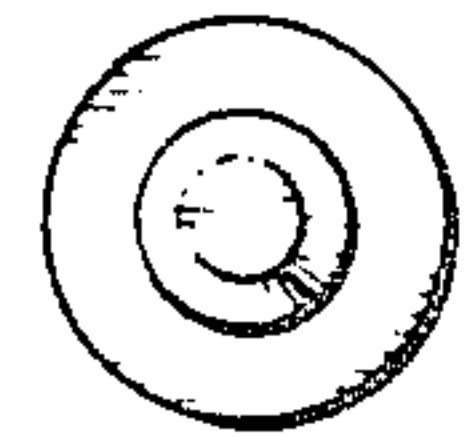


FIG. 5