

[54] REGISTRATION PLATE MOUNTING FOR AUTOMOBILE

[75] Inventors: Claus Luthe, Munich; Boyke Boyer, Seefeld, both of Fed. Rep. of Germany

[73] Assignee: Bayerische Motoren Werke A.G., Munich, Fed. Rep. of Germany

[**] Term: 14 Years

[21] Appl. No.: 473,730

[22] Filed: Mar. 9, 1983

[30] Foreign Application Priority Data

Sep. 10, 1982 [DE] Fed. Rep. of Germany ... MR 13154

[52] U.S. Cl. D12/193

[58] Field of Search D12/193; 40/200, 202, 40/209

[56] References Cited

U.S. PATENT DOCUMENTS

2,092,960	9/1937	Dupuis	40/200
2,194,042	3/1940	Wyatt	40/200
4,314,417	2/1982	Cain	40/209

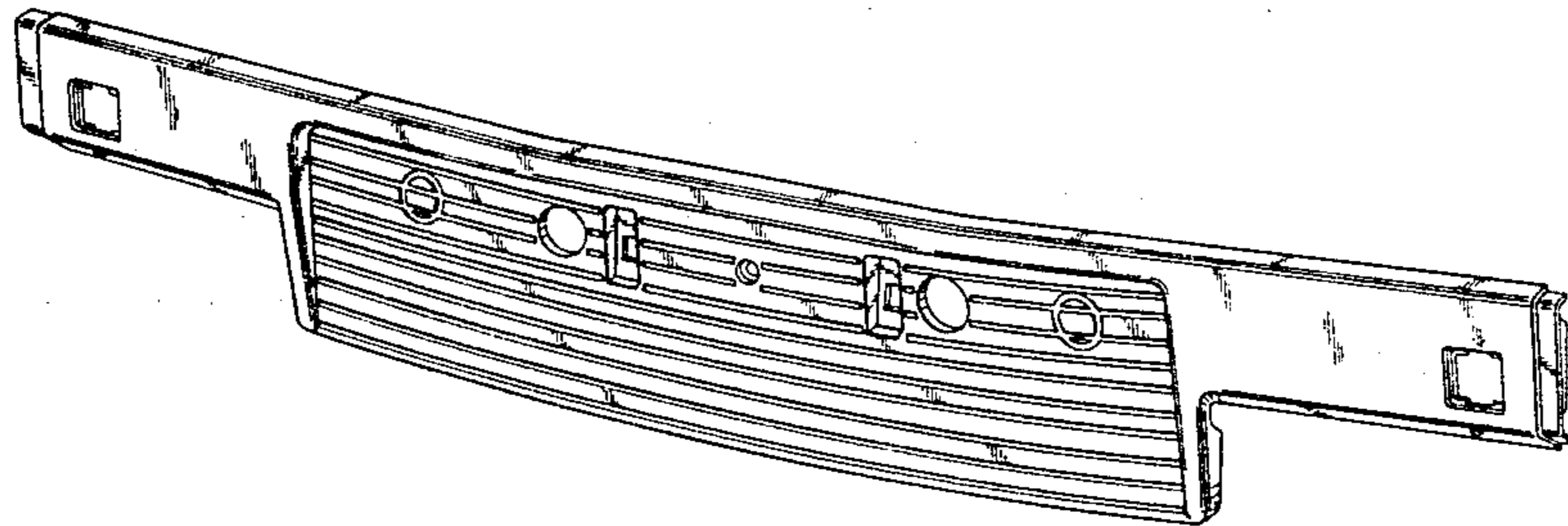
Primary Examiner—James M. Gandy
Attorney, Agent, or Firm—Craig & Burns

[57] CLAIM

The ornamental design for a registration plate mounting for automobile, as shown and described.

DESCRIPTION

FIG. 1 is a perspective view from the front, one side and above of the registration plate mounting for automobile embodying our novel design;
FIG. 2 is a front elevational view thereof;
FIG. 3 is an elevational view from one side thereof;
FIG. 4 is an elevational view from the other side thereof;
FIG. 5 is a rear elevational view thereof;
FIG. 6 is a top plan view thereof; and
FIG. 7 is a bottom plan view thereof.



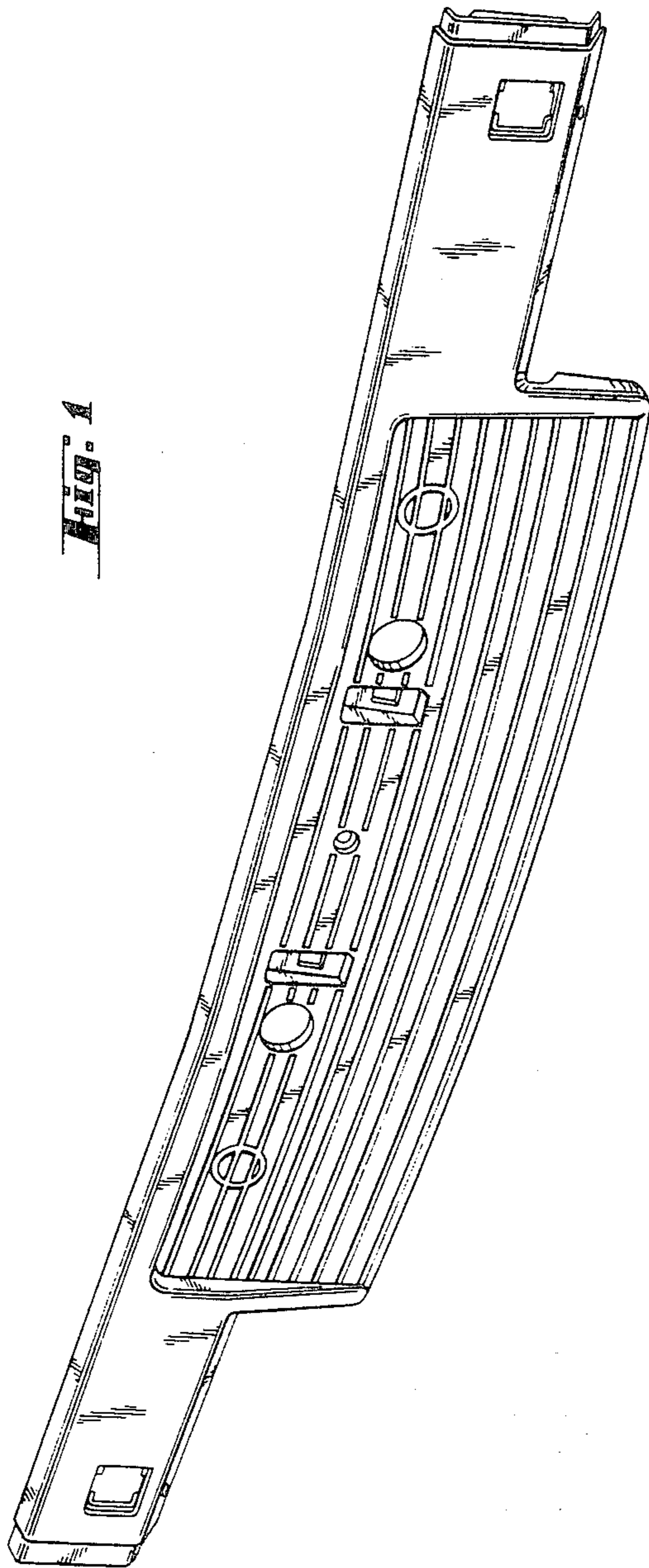


Fig. 2

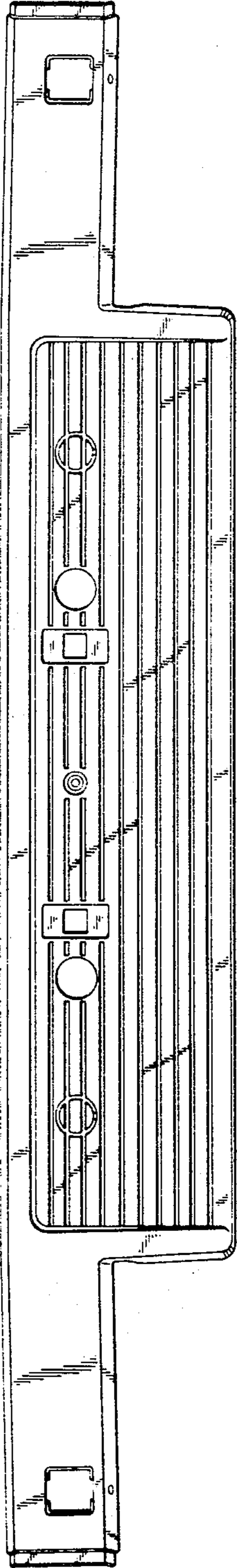


Fig. 4

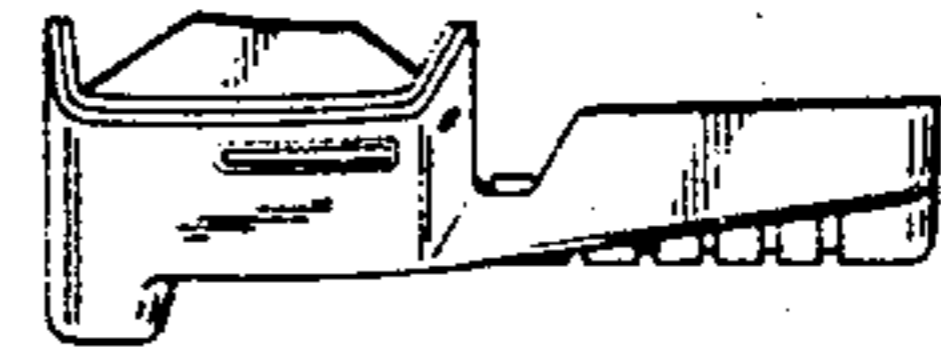


Fig. 3

