

[54] PALLET NUT

[75] Inventor: Paul Rossi, New York, N.Y.

[73] Assignee: Coats & Clark, Inc., Stamford, Conn.

[**] Term: 14 Years

[21] Appl. No.: 457,633

[22] Filed: Jan. 13, 1983

[52] U.S. Cl. D8/397

[58] Field of Search 108/51.1, 56.3; D34/38; D8/382, 397, 399; 411/181, 180

[56] References Cited

U.S. PATENT DOCUMENTS

- 1,112,525 10/1914 Darling 411/181
- 3,750,525 8/1973 Waters 411/181

OTHER PUBLICATIONS

Tinnerman Products Flash Bulletin No. 372, 6/23/65, Fastener C46216, lower left side of page.

TRW Flyer Teenut Fasteners, Hex Base Pallet Nut, bottom center of page.

Gripco Fasteners Catalog No. 171B, p. 6, Toplock Flange & Washer Nut, bottom left side of page.

Primary Examiner—James M. Gandy

Attorney, Agent, or Firm—Burgess, Ryan and Wayne

[57] CLAIM

The ornamental design for a pallet nut, as shown and described.

DESCRIPTION

FIG. 1 is a perspective view showing my pallet nut; FIG. 2 is a side elevation view thereof on a reduced scale, the pallet nut being symmetrical about its central longitudinal axis;

FIG. 3 is a top plan view thereof on a reduced scale; and FIG. 4 is a bottom plan view thereof on a reduced scale.

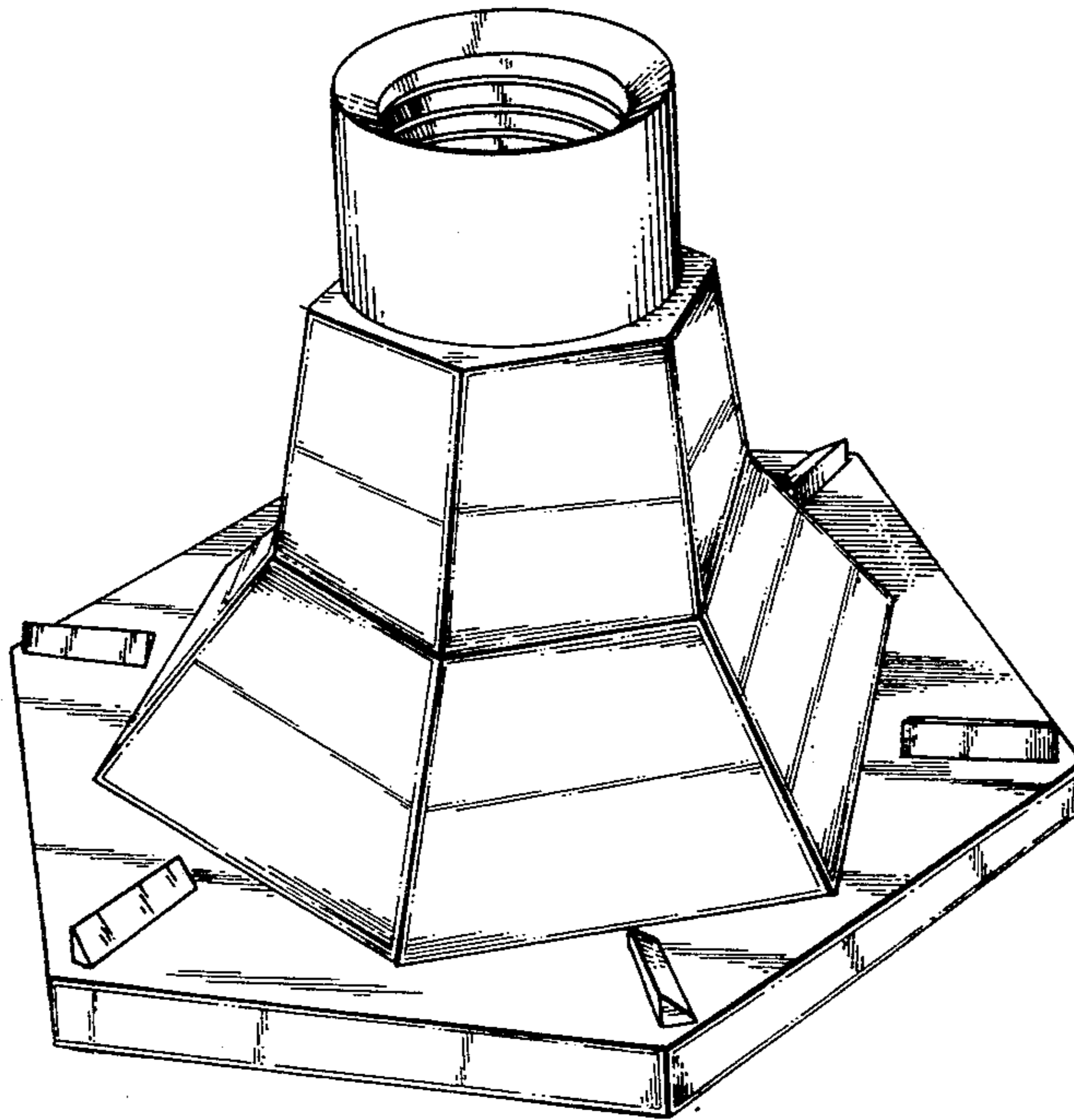


FIG. 1

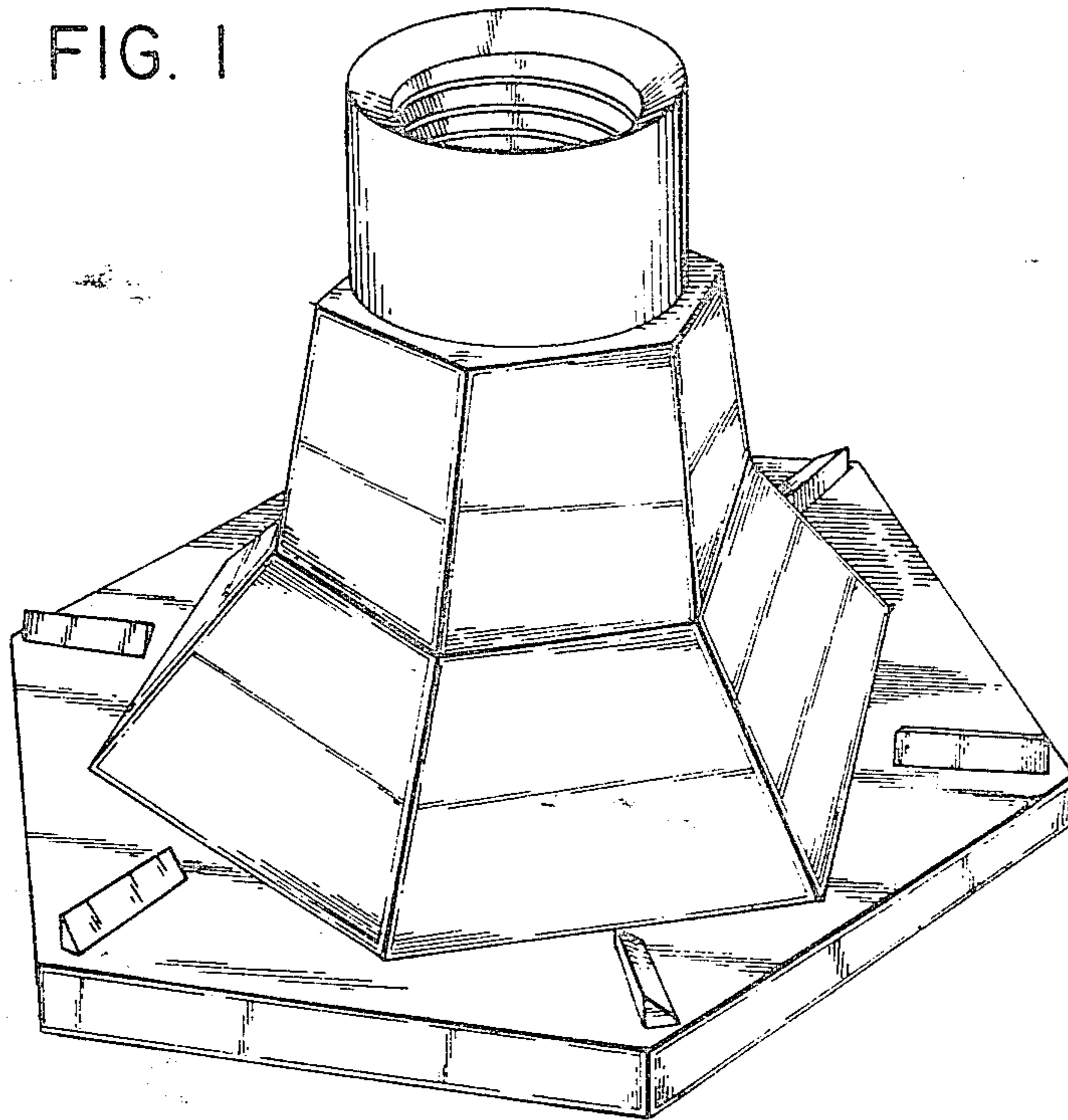


FIG. 2

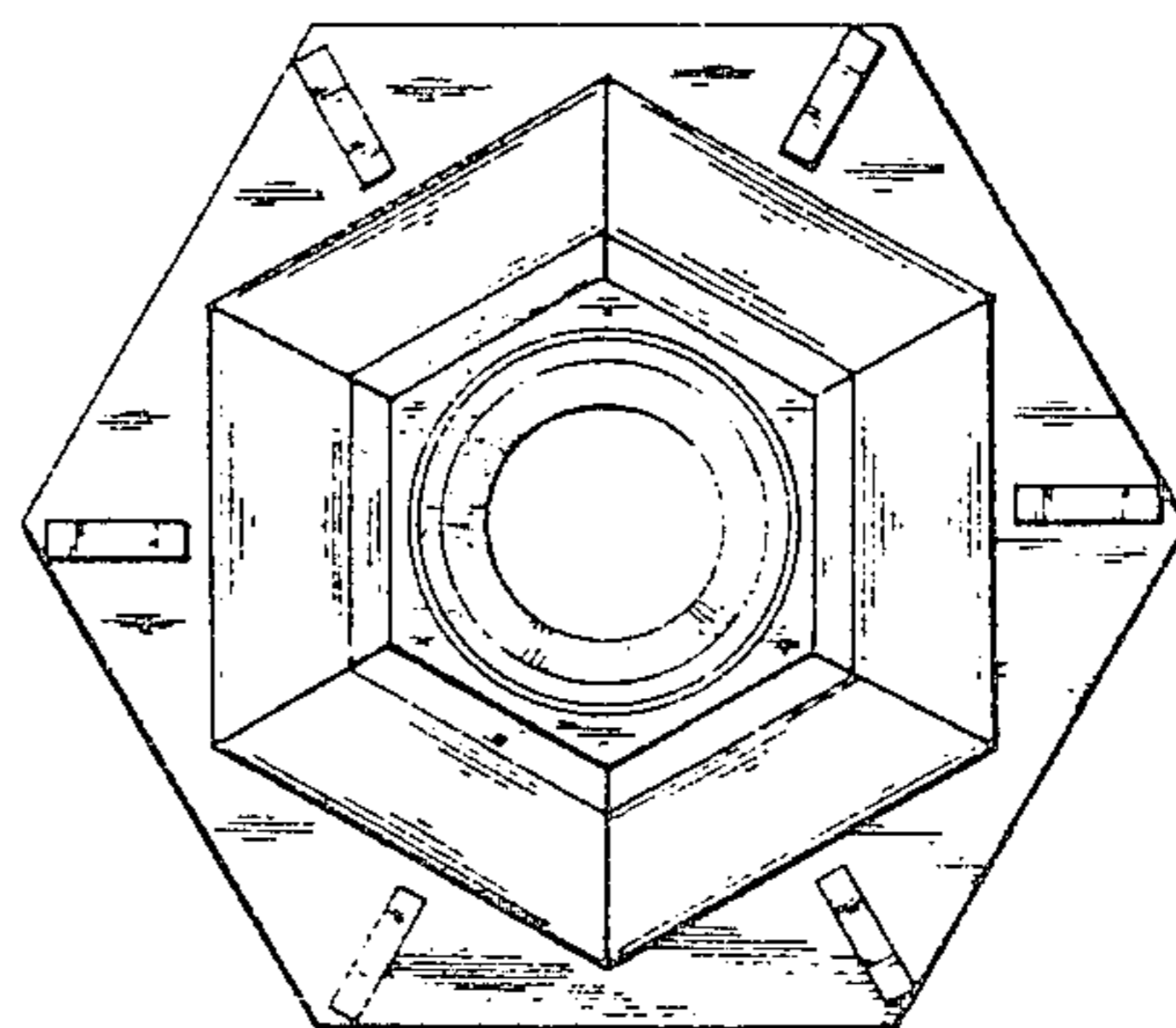
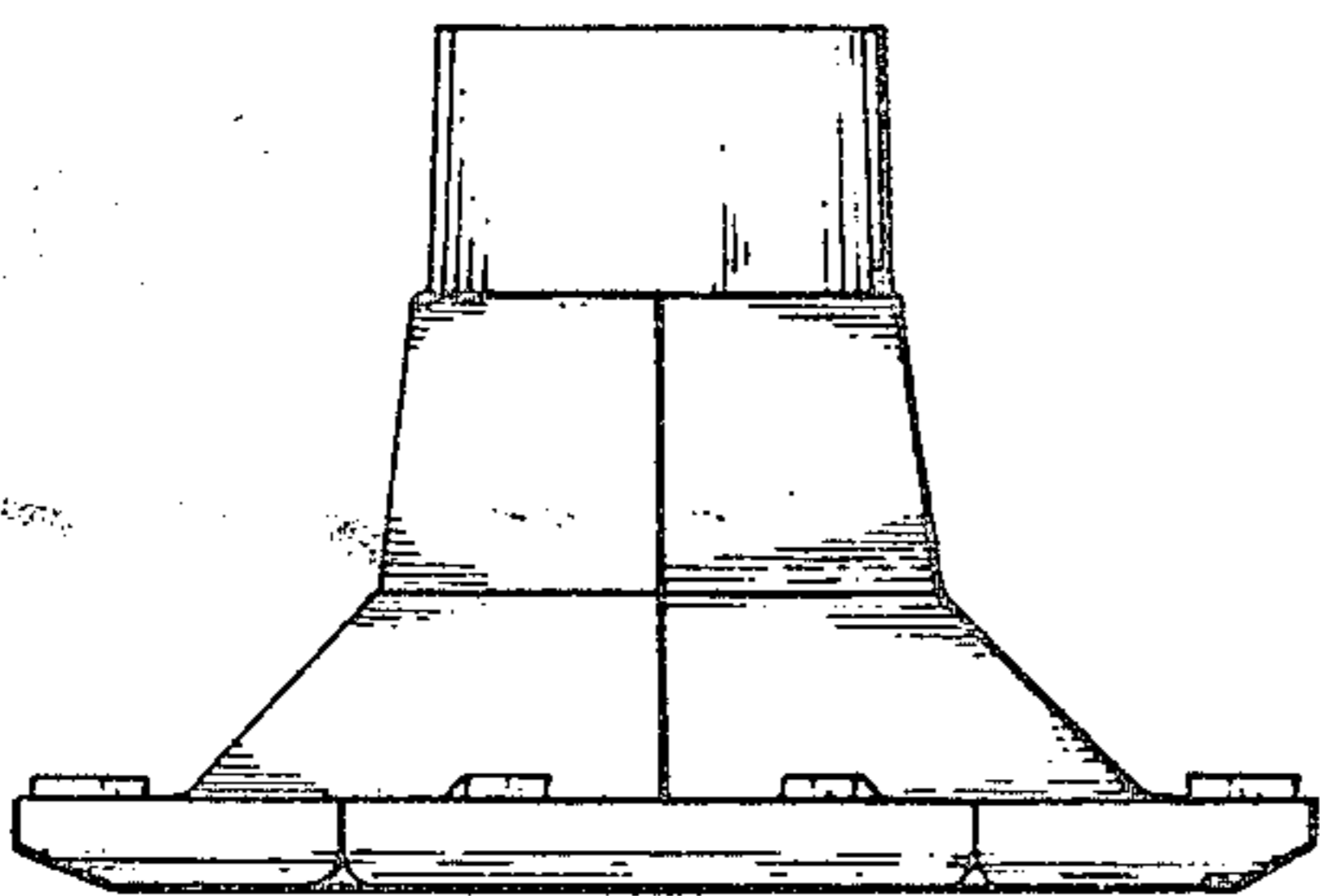


FIG. 3

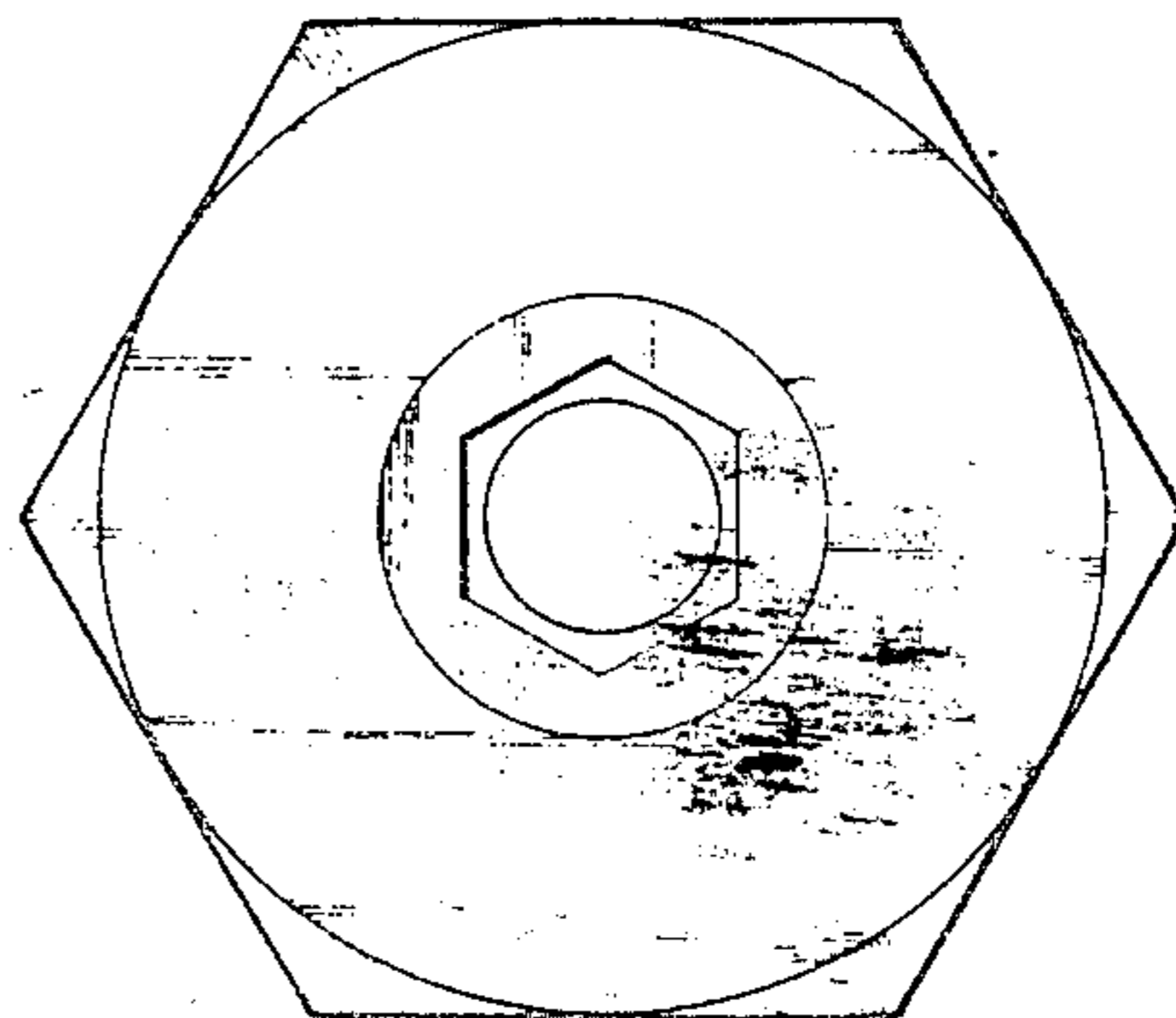


FIG. 4