

[54] **SHARPENING APPARATUS**
[75] **Inventor: Louis N. Graves, Anoka, Minn.**
[73] **Assignee: Louis N. Graves Company, Inc., Anoka, Minn.**
[**] **Term: 14 Years**
[21] **Appl. No.: 490,775**
[22] **Filed: May 2, 1983**
[52] **U.S. Cl. D8/91; D8/93**
[58] **Field of Search D8/62, 63, 90-94; 51/80 BS, 205 WG, 214; 76/82, 82.2, 84, 86, 88; 30/138**

1,134,359 4/1915 Walker 76/82
2,030,161 2/1936 Von Der Lippen 76/86
2,565,353 8/1951 Chester 76/86

Primary Examiner—Susan J. Lucas
Assistant Examiner—Clare E. Heflin
Attorney, Agent, or Firm—Burd, Bartz & Gutenkauf

[57] **CLAIM**

The ornamental design for a sharpening apparatus, substantially as shown and described.

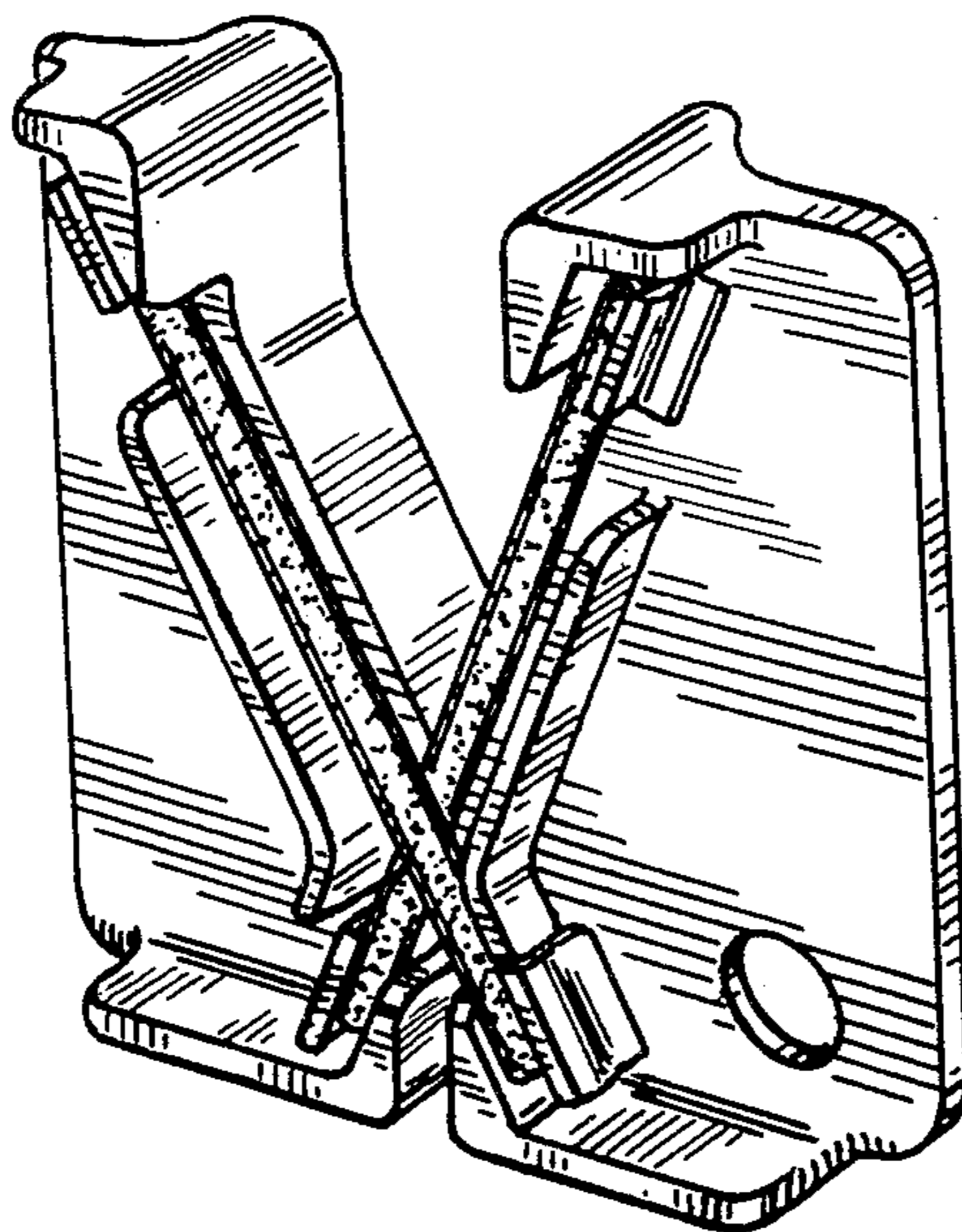
DESCRIPTION

FIG. 1 is a rear perspective view of the sharpening apparatus showing my new design;
FIG. 2 is a rear elevational view thereof;
FIG. 3 is a front elevational view thereof;
FIG. 4 is a left side elevational view thereof;
FIG. 5 is a right side elevational view thereof;
FIG. 6 is a top plan view thereof;
FIG. 7 is a bottom plan view thereof.

[56] **References Cited**

U.S. PATENT DOCUMENTS

D. 266,393 10/1982 Mayer et al. D8/93
1,041,631 10/1912 Johnson 76/86



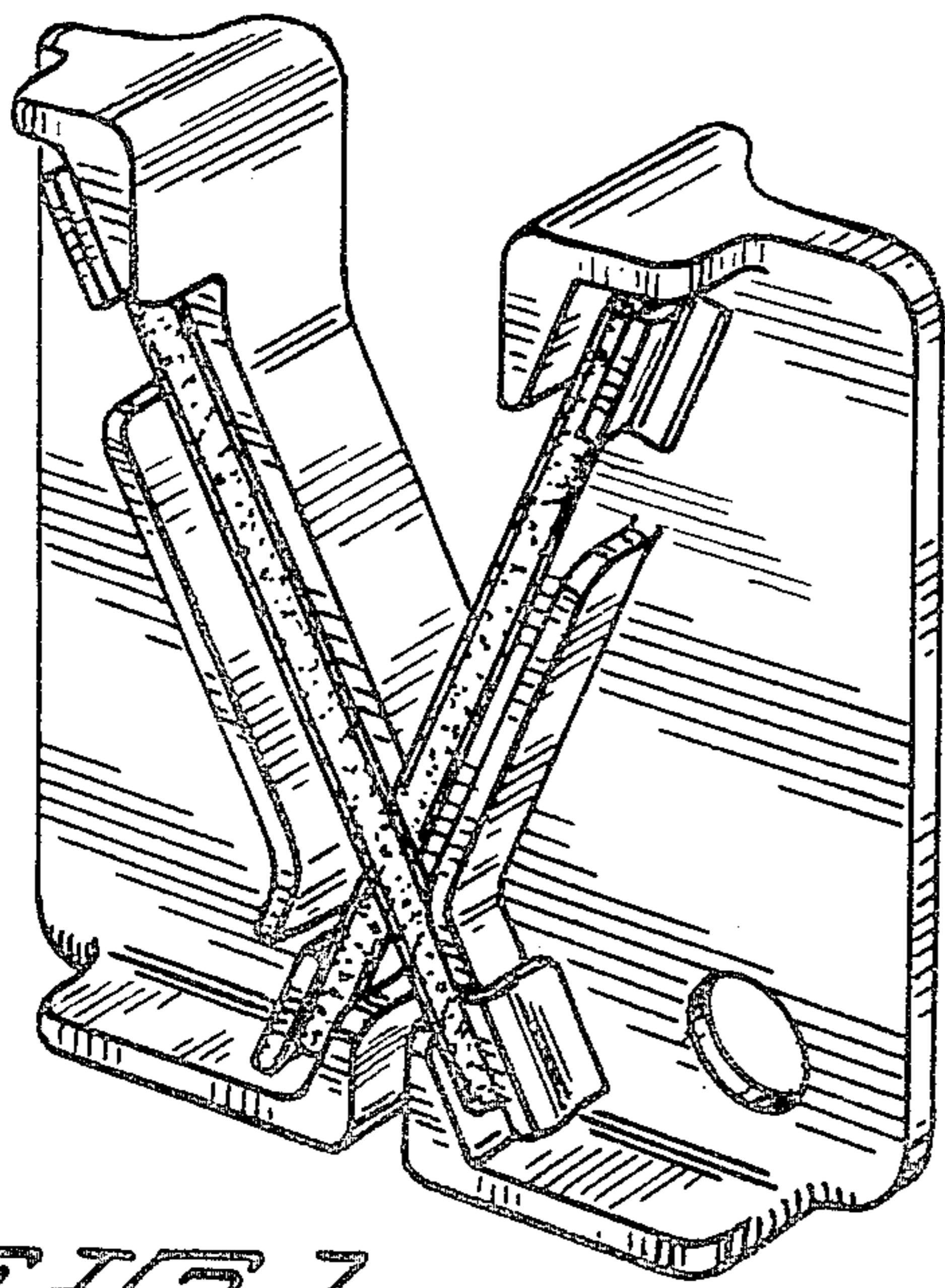


FIG. 1

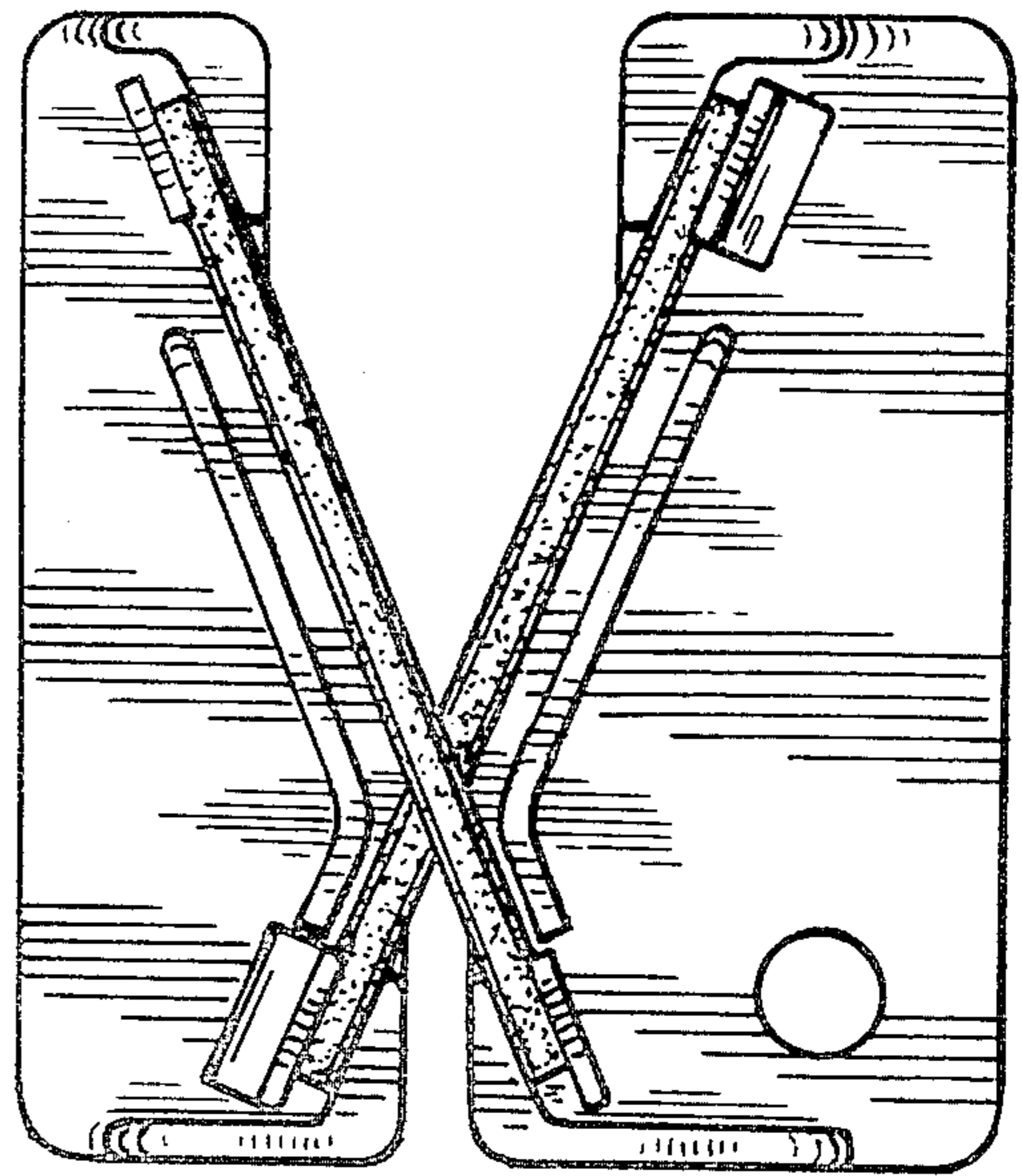


FIG. 2

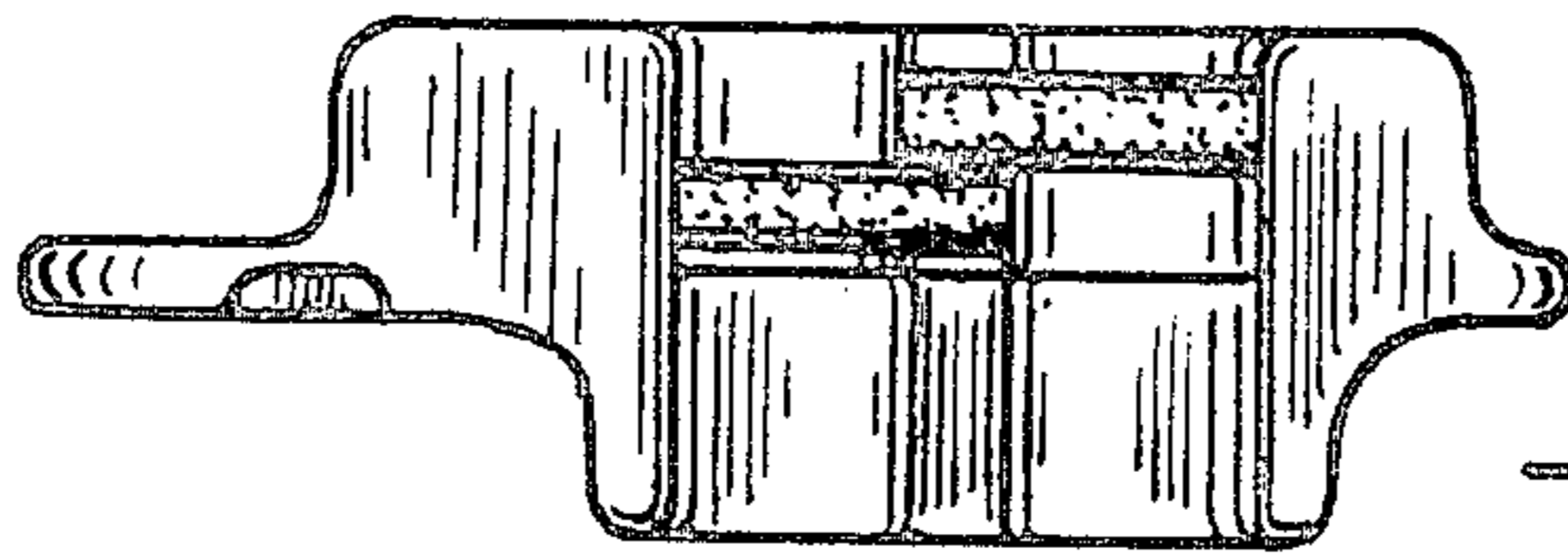


FIG. 6

FIG. 3

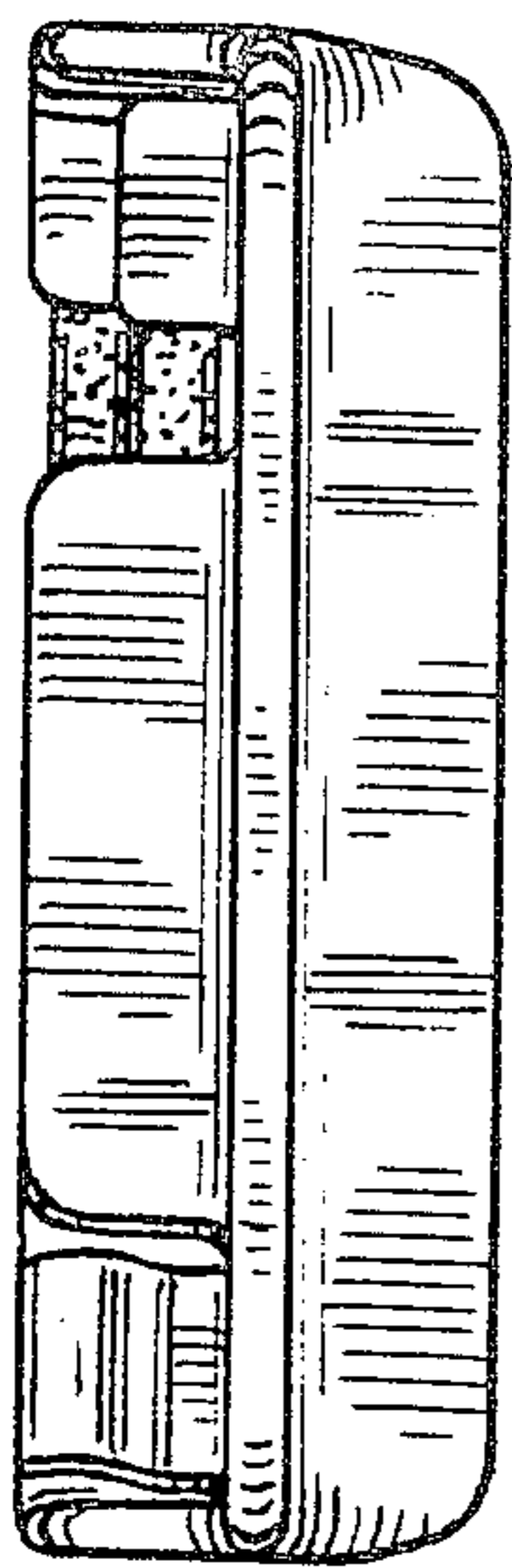


FIG. 4

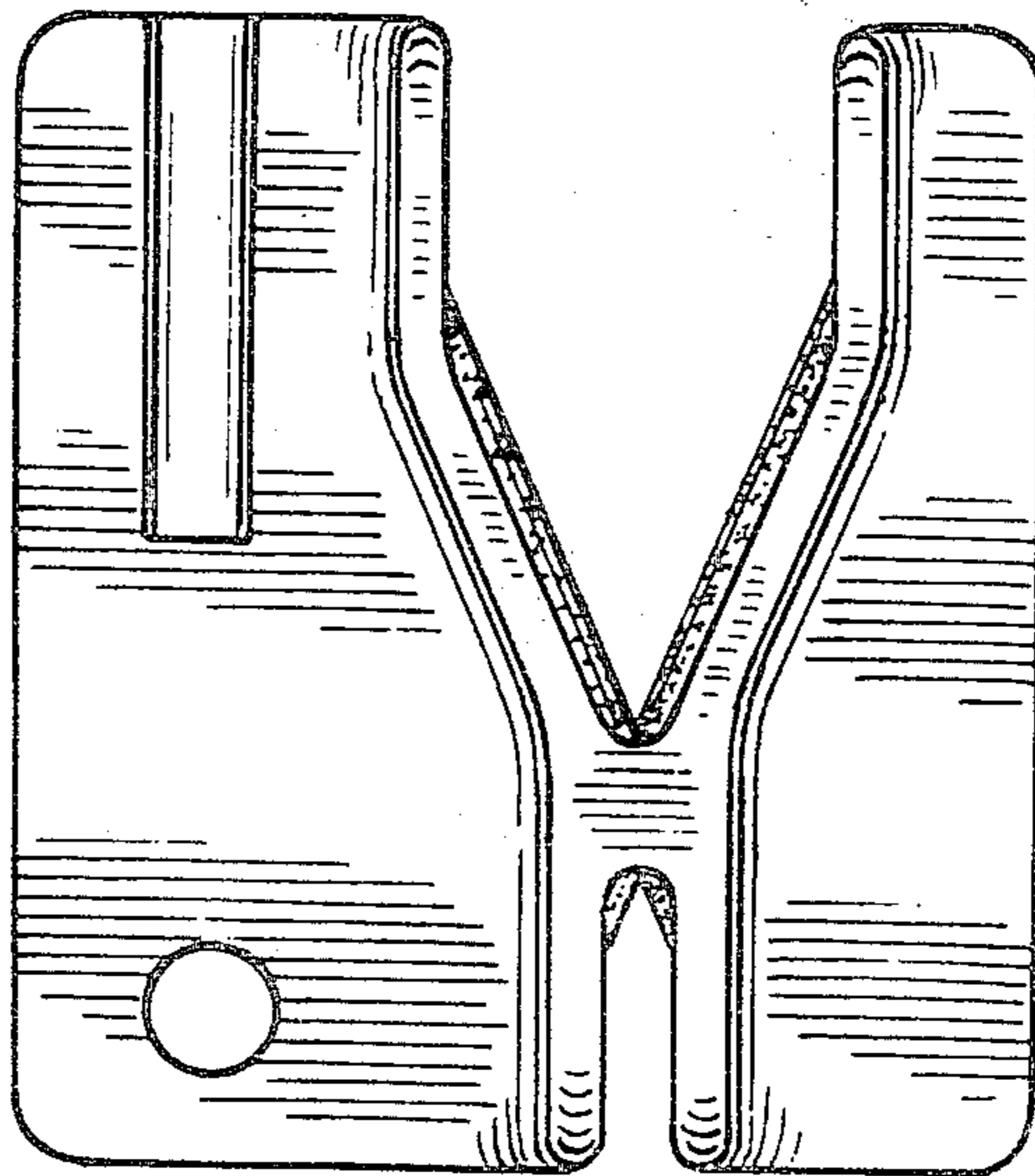


FIG. 5

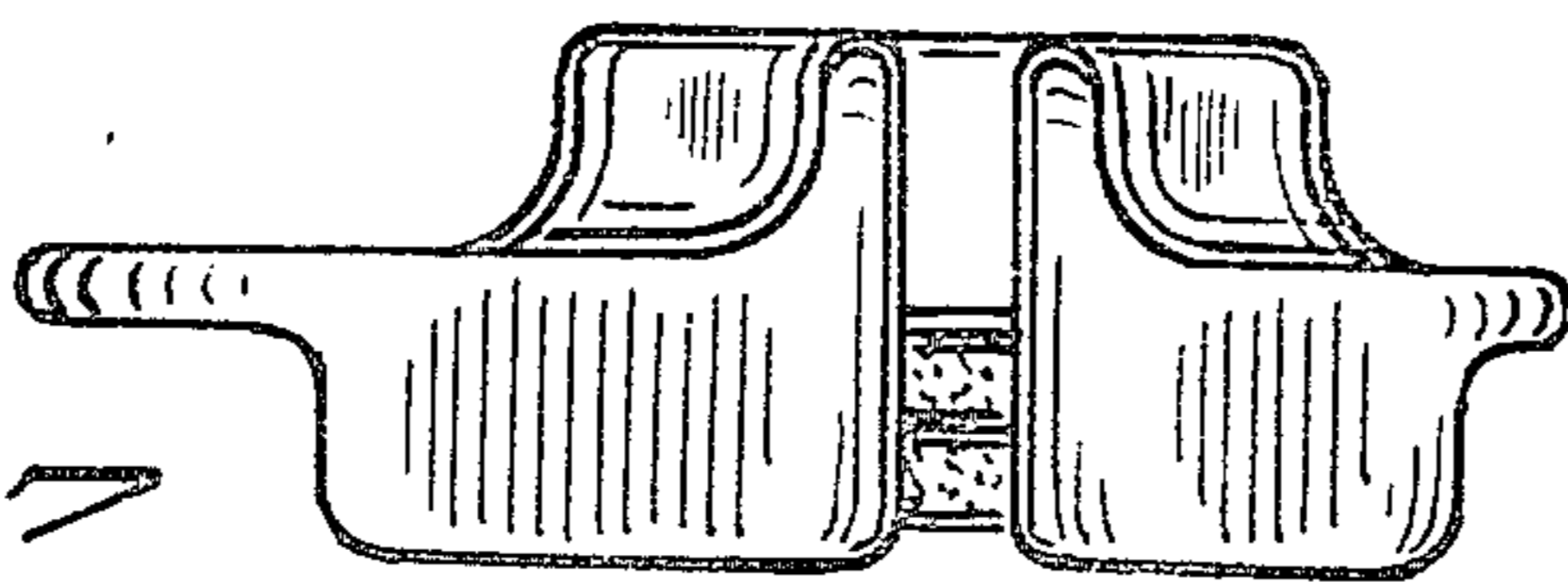


FIG. 7