

[54] POT COVER

[75] Inventor: Henry L. Foley, Chatham, Ill.

[73] Assignee: Bunn-O-Matic Corporation, Springfield, Ill.

[\*\*] Term: 14 Years

[21] Appl. No.: 470,312

[22] Filed: Feb. 28, 1983

[52] U.S. Cl. .... D7/391

[58] Field of Search ..... D7/391, 392, 397, 399, D7/317, 322; 222/567, 570

[56] References Cited

U.S. PATENT DOCUMENTS

D. 43,350	12/1912	Baron	.....	D7/317
D. 110,140	6/1938	Gamble	.....	D7/392
D. 247,211	2/1978	Young	.....	D7/392
D. 258,712	3/1981	Jacobson	.....	D7/317
1,814,083	7/1931	Flautt	.....	222/567
3,120,912	2/1964	Mount et al.	.....	D7/317 X
3,817,430	6/1974	Borin	.....	D7/317 X

FOREIGN PATENT DOCUMENTS

980907 5/1951 France ..... 222/570

OTHER PUBLICATIONS

HFD Oct. 1, 1984 p. 52, Ever Fresh Coffee System.

Primary Examiner—Bernard Ansher

Assistant Examiner—Linda Titolo

Attorney, Agent, or Firm—Lockwood, Alex, FitzGibbon & Cummings

[57] CLAIM

The ornamental design for a pot cover, as shown and described.

DESCRIPTION

FIG. 1 is a right side perspective view of a pot cover showing my new design; the broken lines showing the pot are shown for illustrative purposes only;

FIG. 2 is a top plan view thereof;

FIG. 3 is a bottom plan view thereof;

FIG. 4 is a right side elevational view thereof;

FIG. 5 is a front elevational view thereof; and

FIG. 6 is a rear elevational view thereof.

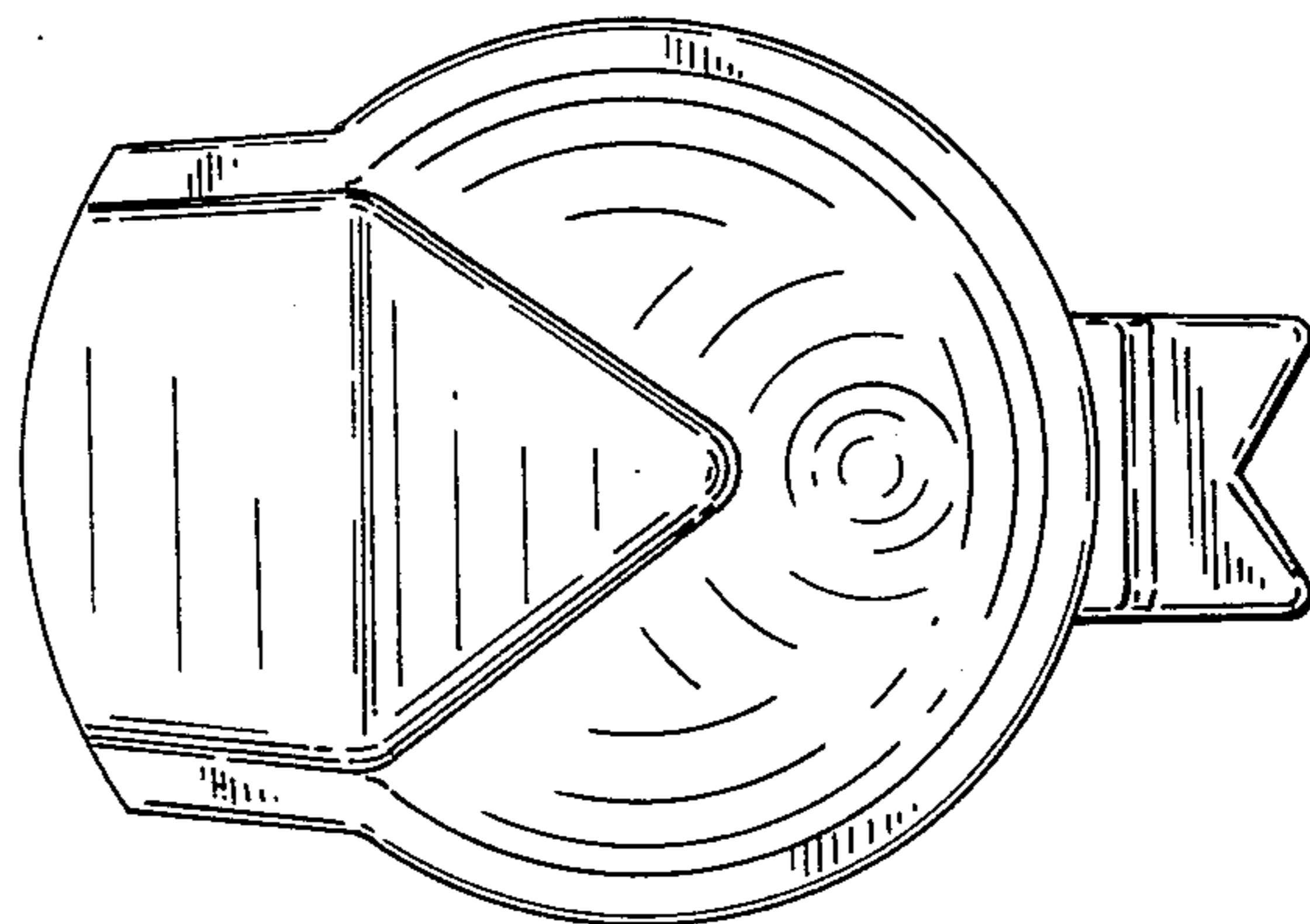
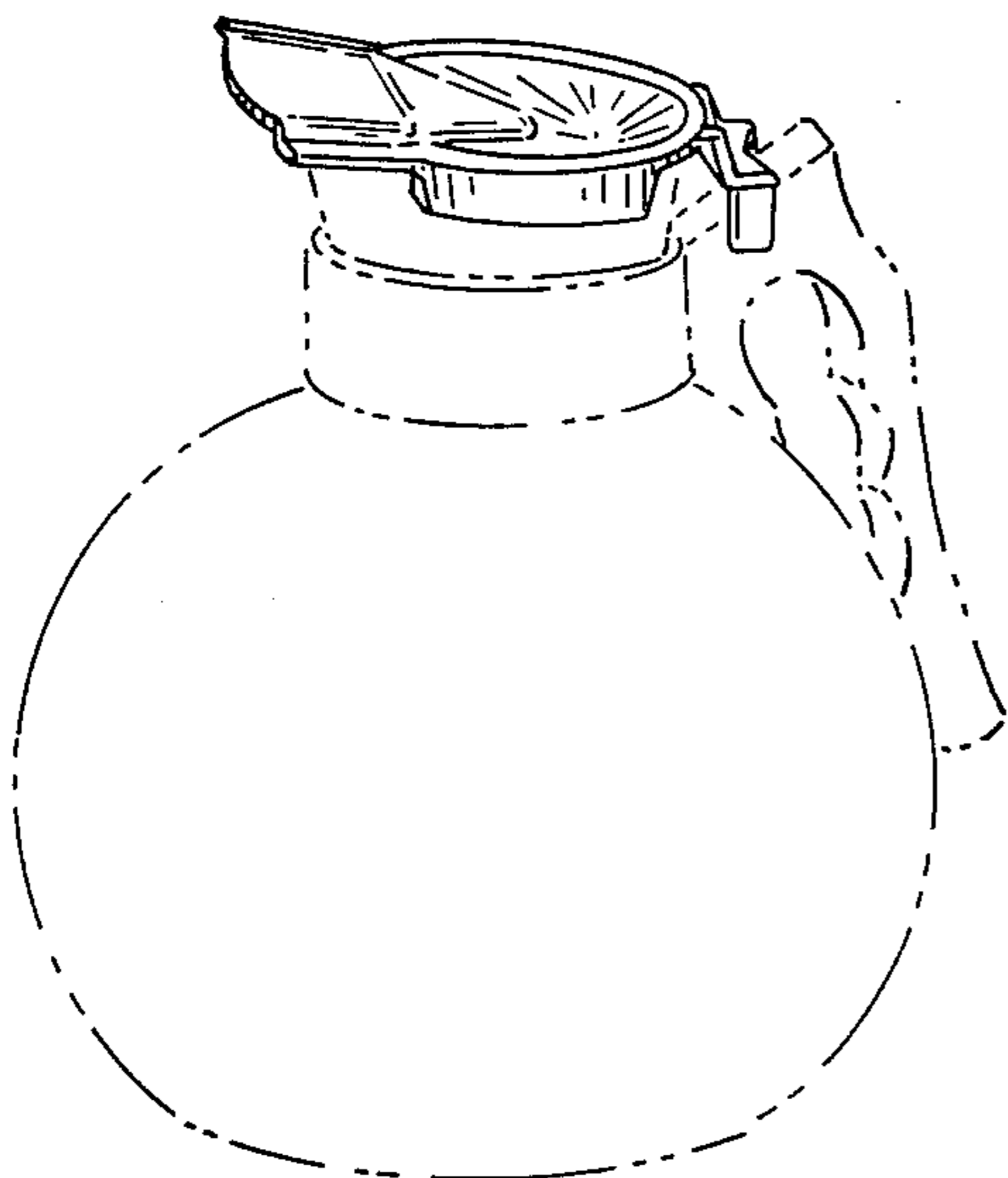


FIG. 1

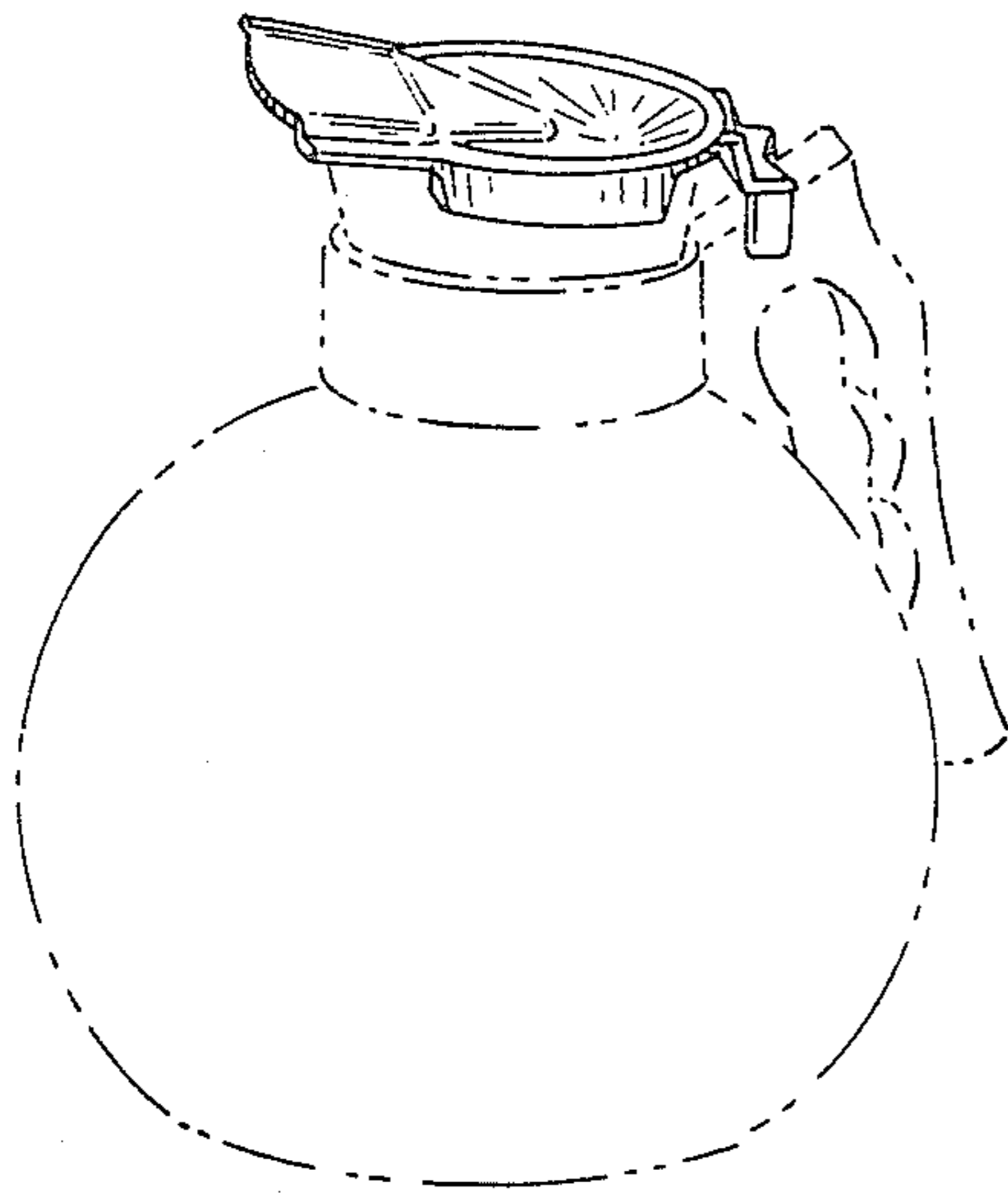


FIG. 2

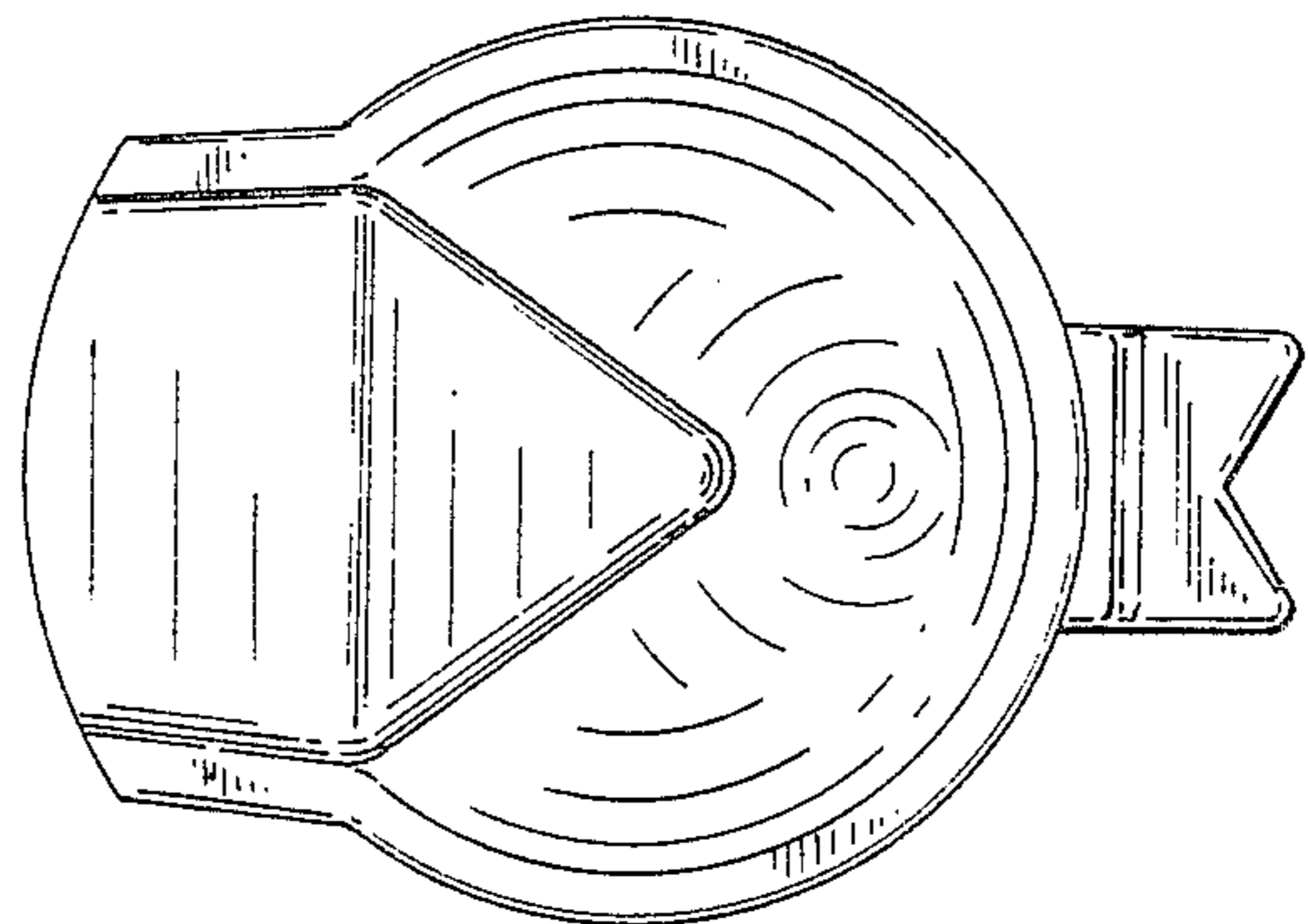


FIG. 3

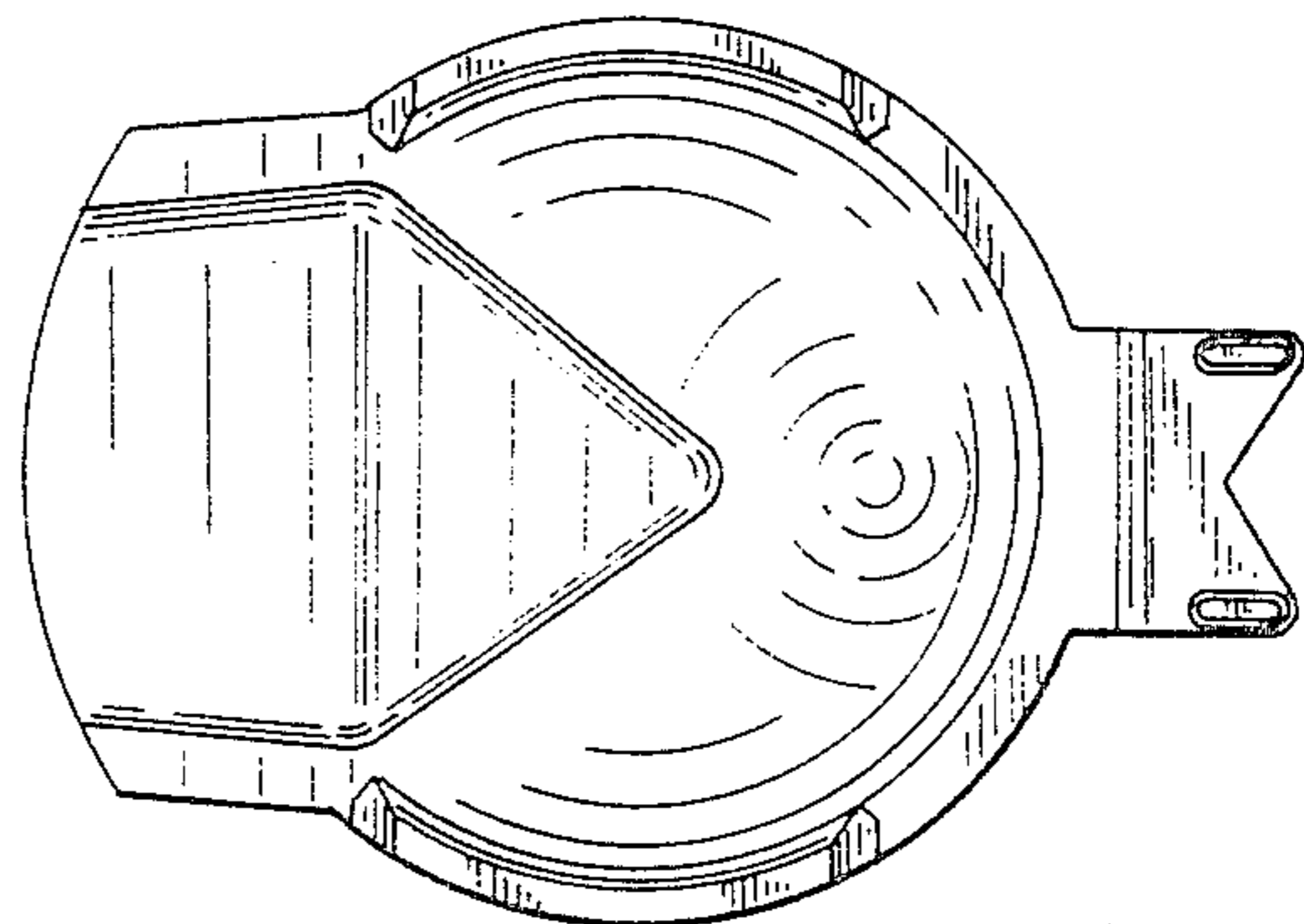


FIG. 5

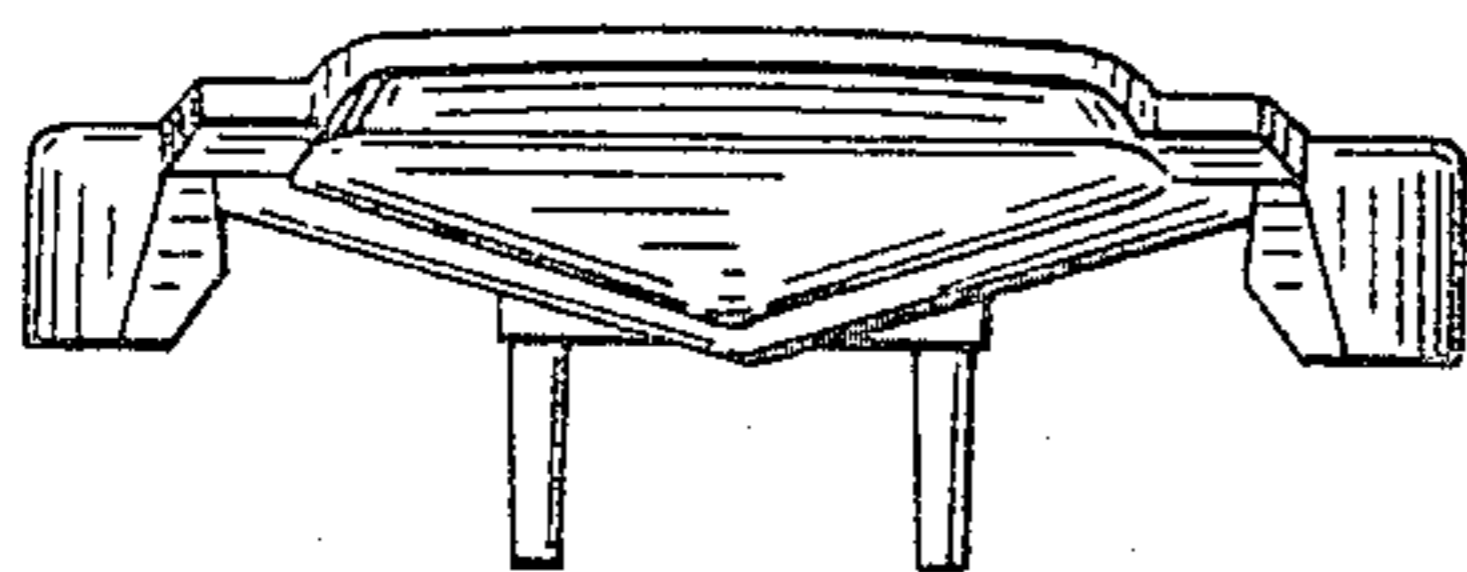


FIG. 4

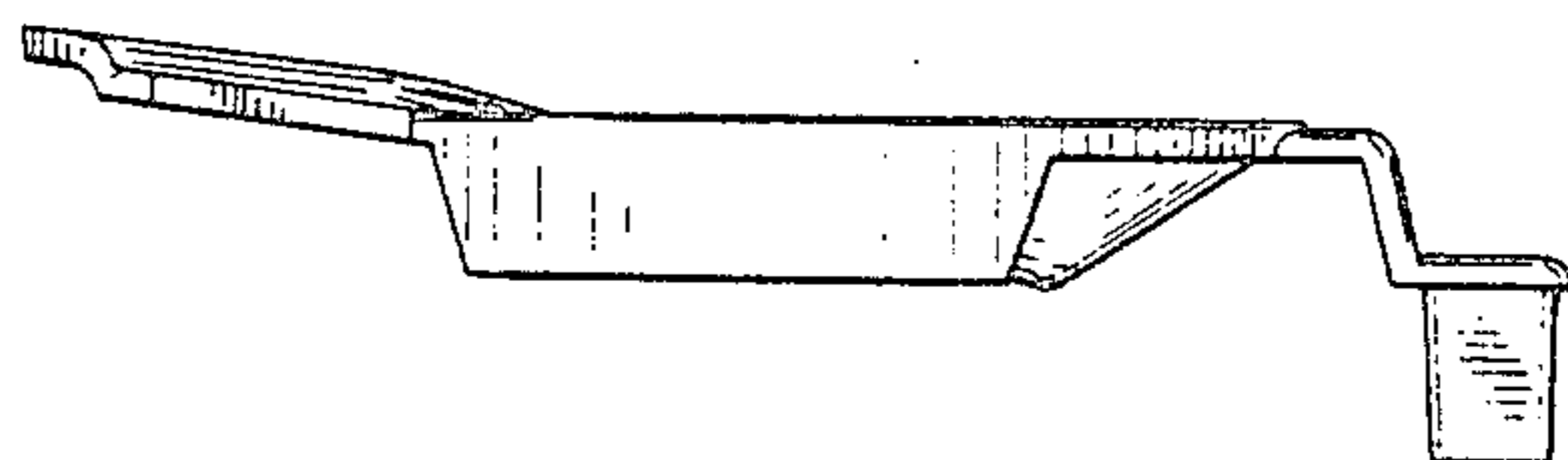


FIG. 6

