

[54] CANDY DISPENSER

1,540,389 6/1925 Felton ..... 221/265  
2,694,480 11/1954 Mason ..... 221/265

[75] Inventors: Jeffrey D. Breslow, Highland Park;  
Donald A. Rosenwinkel; John V.  
Zaruba, both of Chicago, all of Ill.

[73] Assignee: Marvin Glass & Associates, Chicago,  
Ill.

[\*\*] Term: 14 Years

[21] Appl. No.: 407,993

[22] Filed: Jun. 13, 1982

[52] U.S. Cl. .... D7/76; D20/3;  
D21/148

[58] Field of Search ..... D7/76, 301; D20/7, 3;  
D21/148; D14/53; 194/63; 221/265, 266, 24;  
222/362

[56] References Cited

U.S. PATENT DOCUMENTS

D. 41,790	9/1911	Amsler	.....	D20/7
D. 75,002	5/1928	Benge	.....	D7/301
D. 158,529	5/1950	Tarrson	.....	D20/7
D. 262,024	11/1981	Thomas	.....	D14/53
1,405,753	2/1922	Bush	.....	222/362

OTHER PUBLICATIONS

HFD-Retailing Home Furnishings, 5-1982 p. 8 PAC-MAN Ad mentions 1980 Date.  
Wall Street Journal p. 25 3-82 PAC-MAN.  
Giftware Business Aug. 1982, p. 47 PAC-MAN Phone.  
Jewelers' Circular-Keystone Apr.-1982 Pac-Man Jewelry.

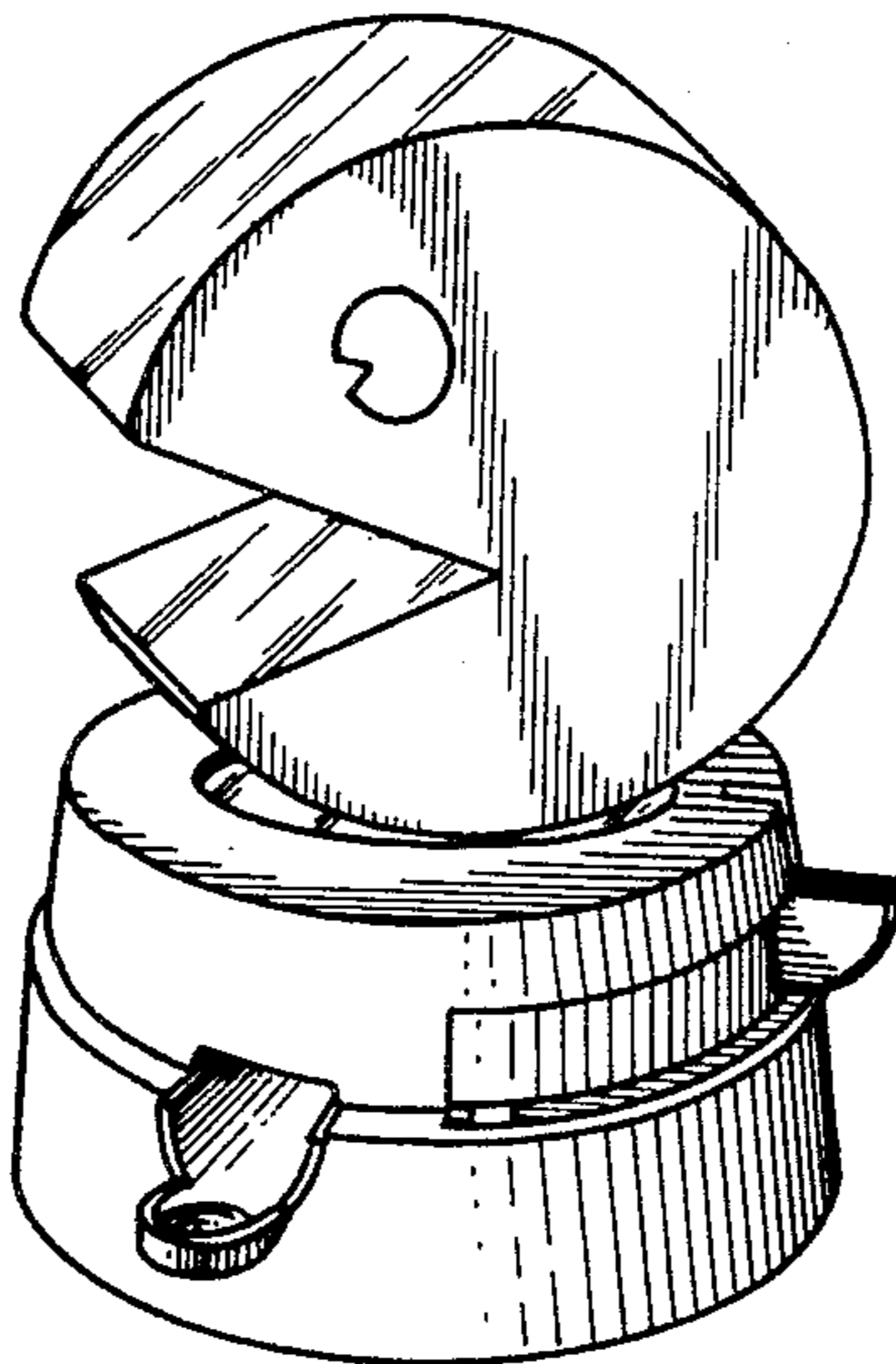
Primary Examiner—Bernard Ansher  
Assistant Examiner—Linda Titolo

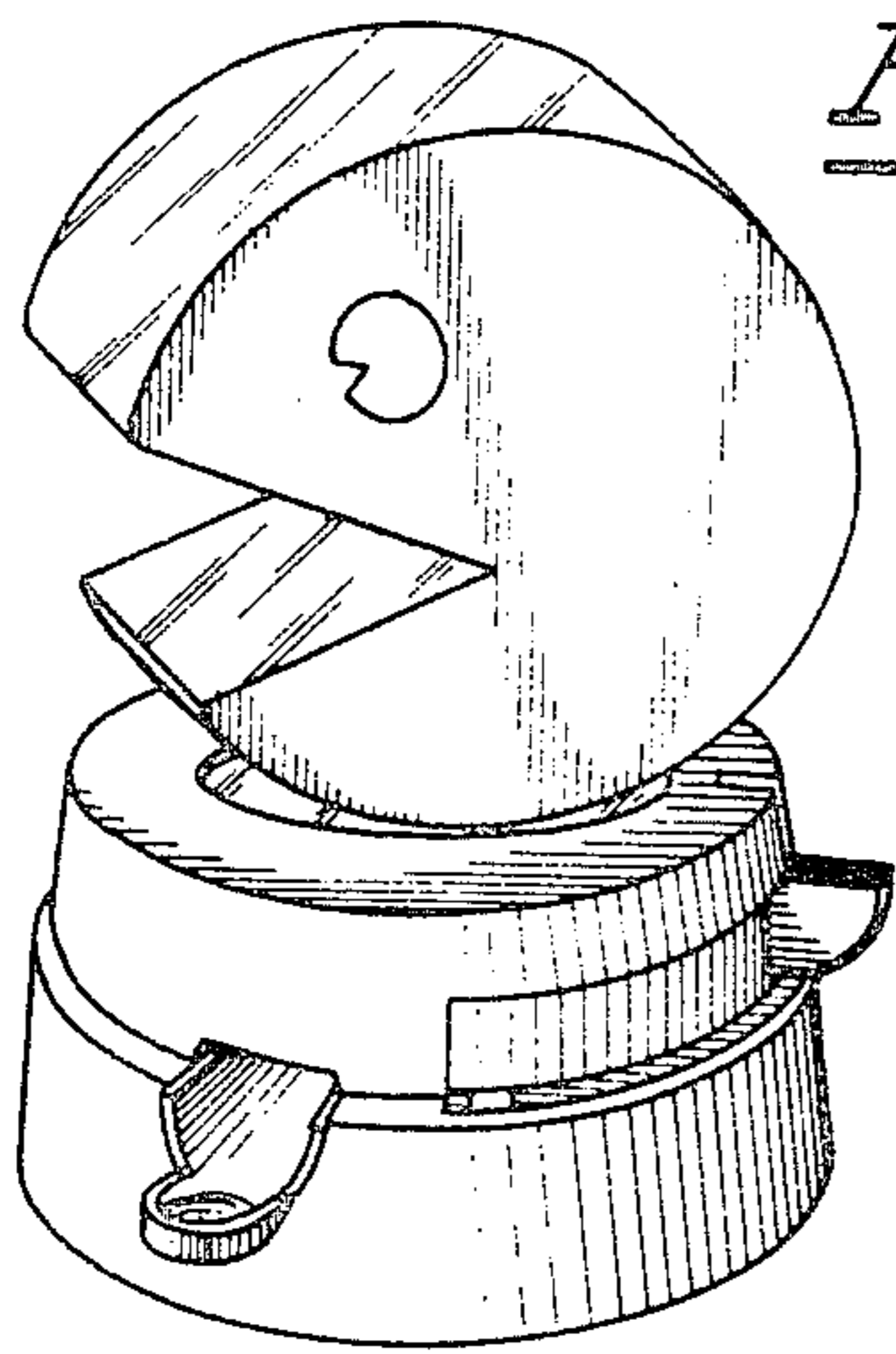
[57] CLAIM

The ornamental design for a candy dispenser, substantially as shown.

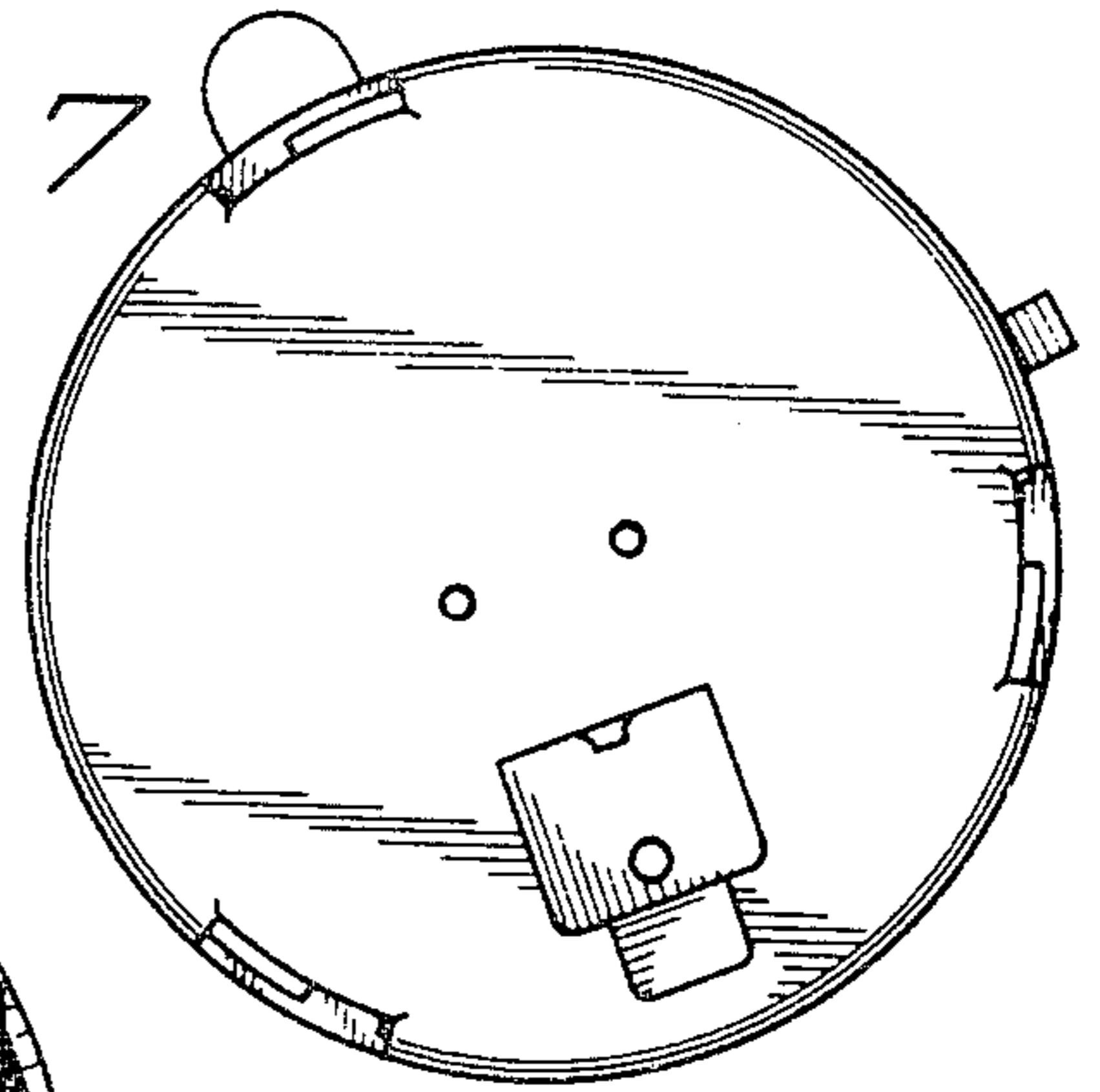
DESCRIPTION

FIG. 1 is a front perspective view of a candy dispenser showing our new design;  
FIG. 2 is a front elevational view thereof;  
FIG. 3 is a left side elevational view thereof;  
FIG. 4 is a rear elevational view thereof;  
FIG. 5 is a right side elevational view thereof;  
FIG. 6 is a top plan view thereof; and  
FIG. 7 is a bottom plan view thereof.

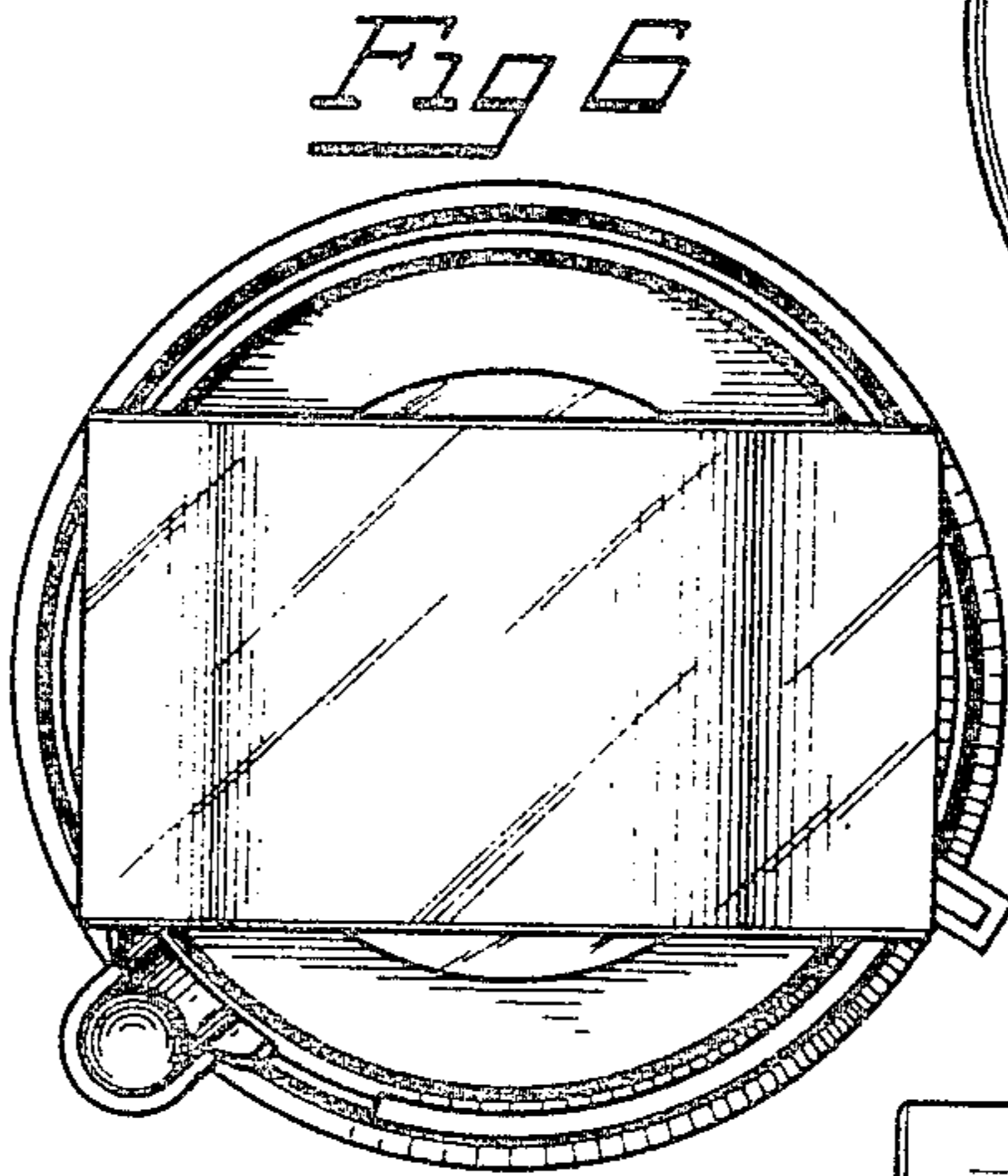




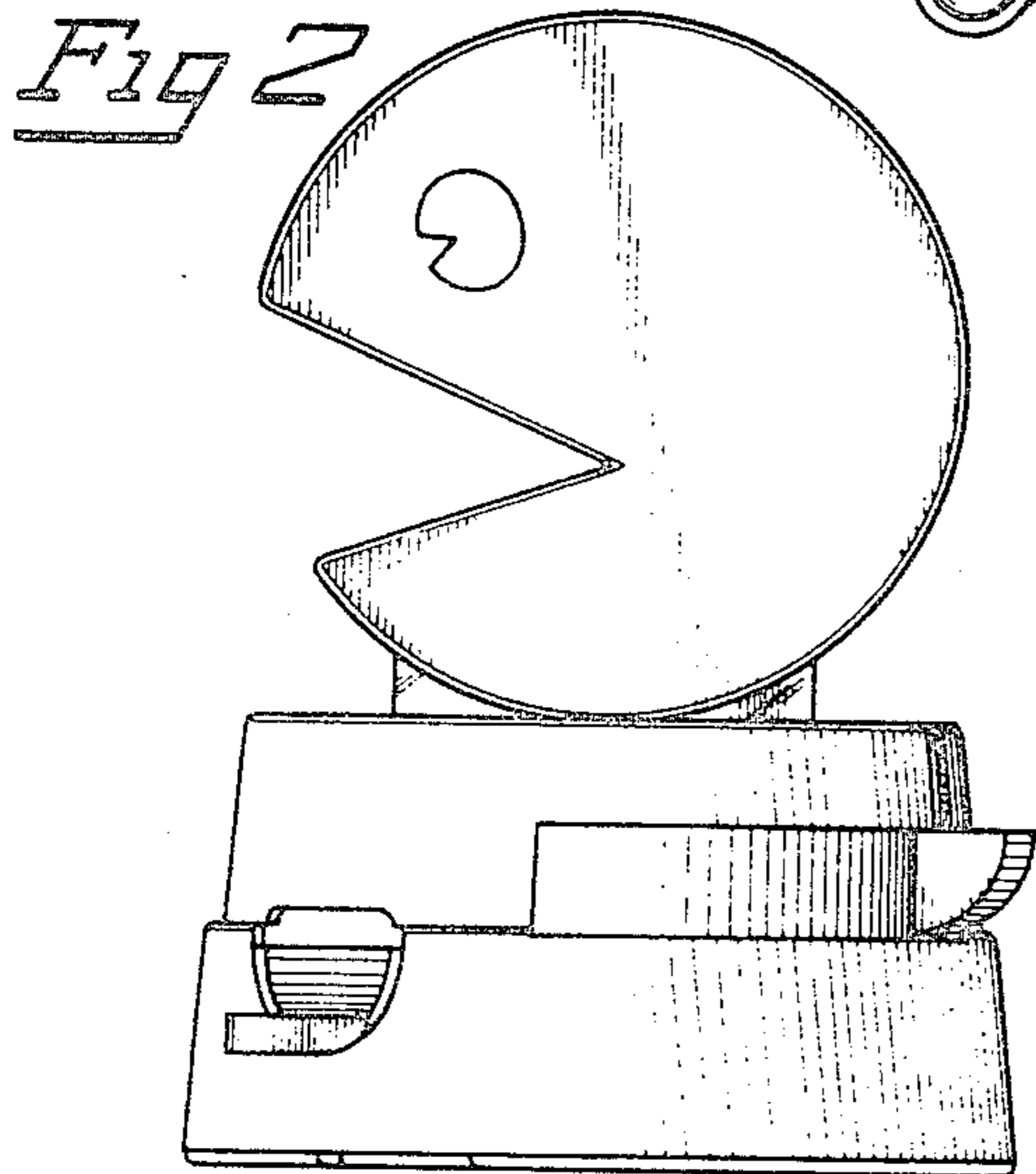
*Fig 1*



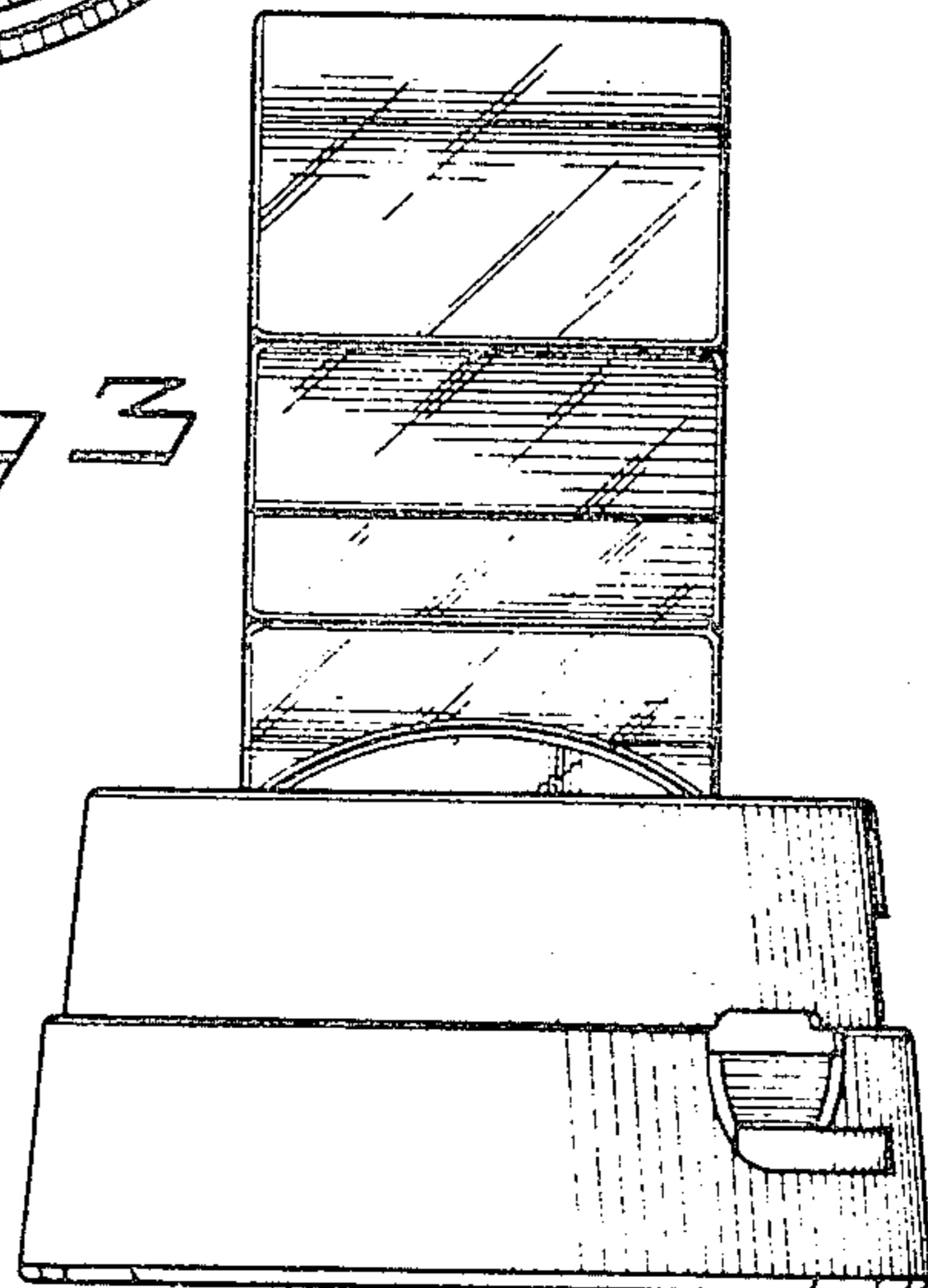
*Fig 7*



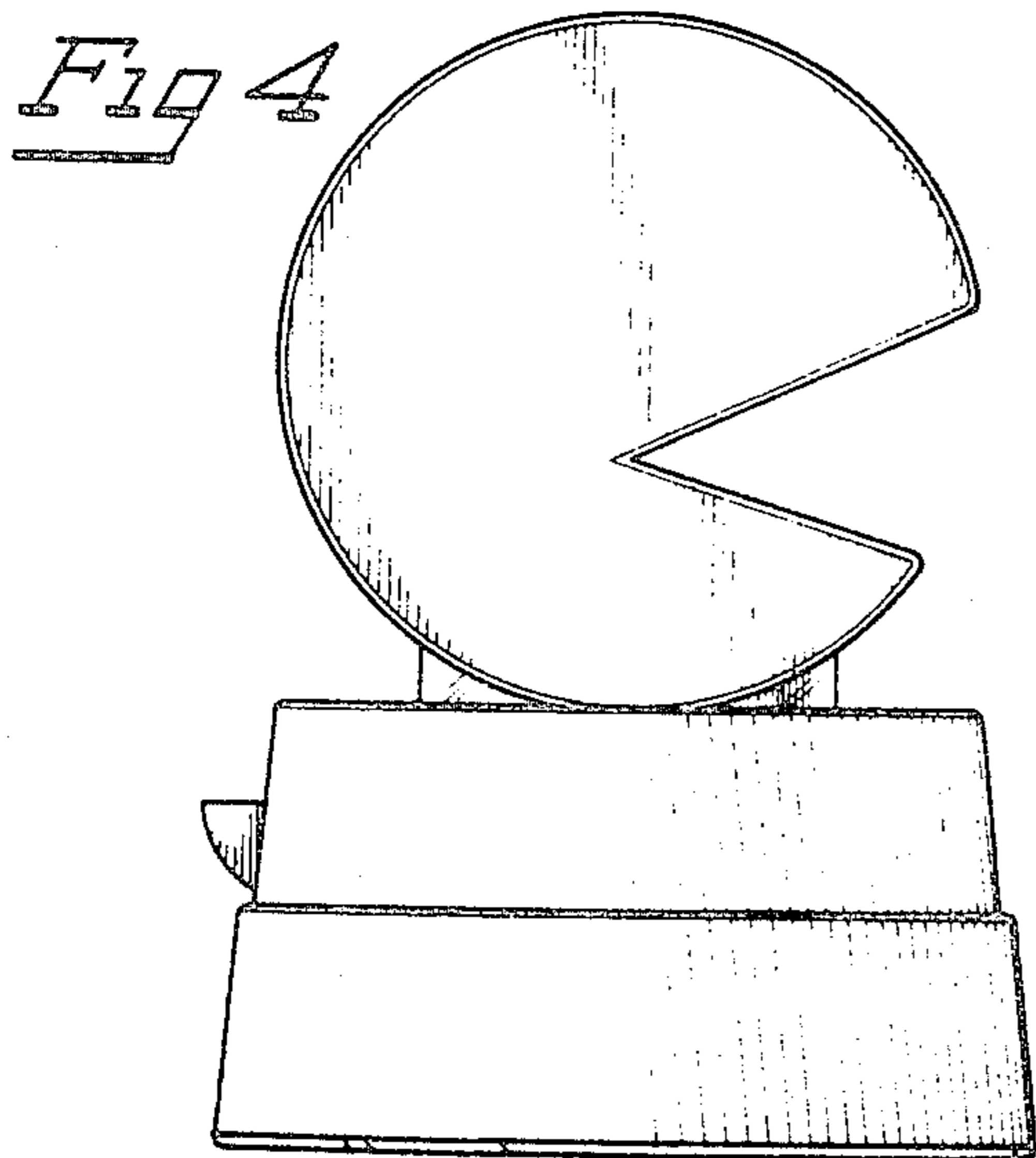
*Fig 6*



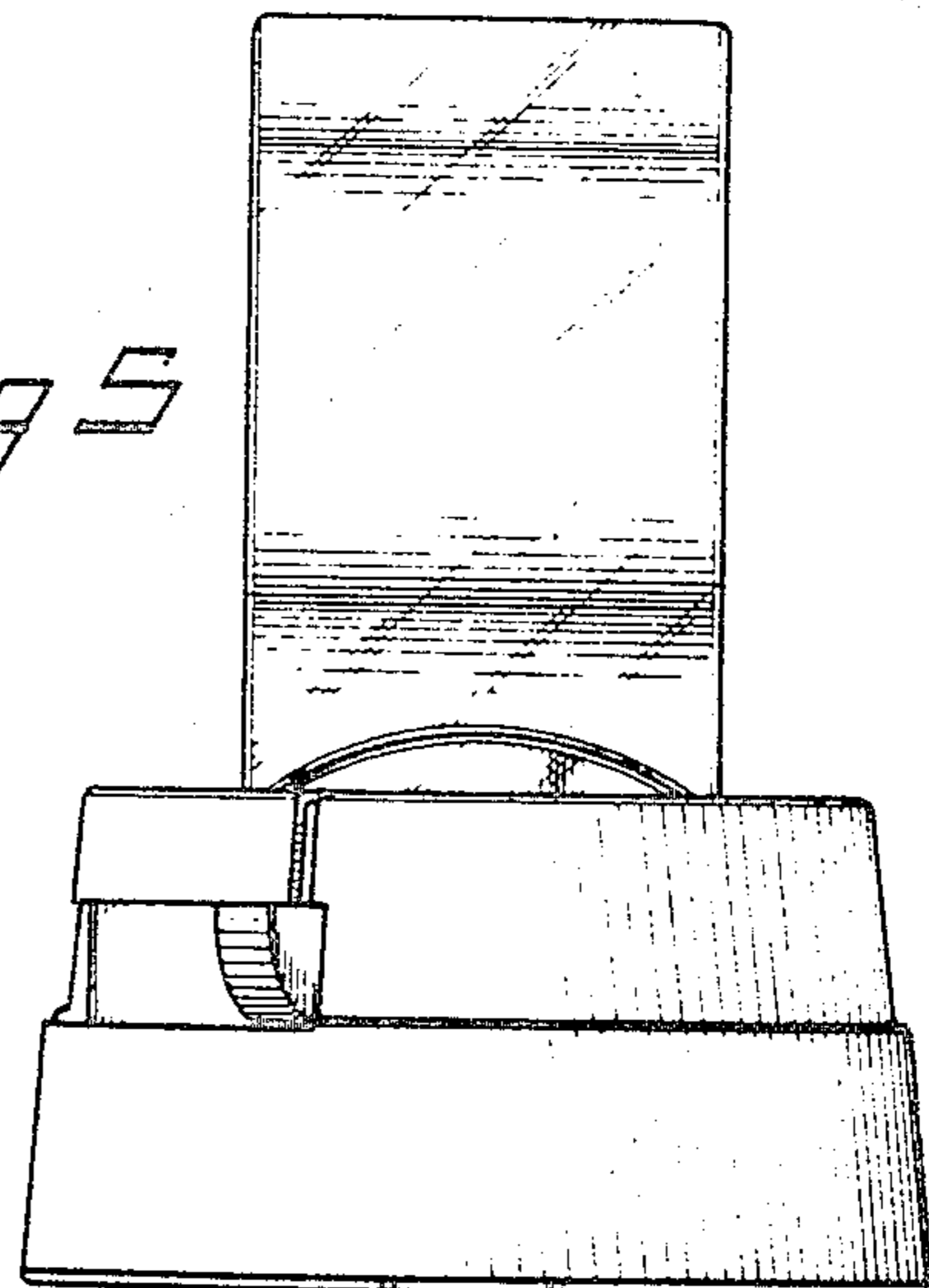
*Fig 2*



*Fig 3*



*Fig 4*



*Fig 5*