

[54] **TABLE OR THE LIKE**

[75] **Inventor: Peter K. Bayly, Kangaroo Ground, Australia**

[73] **Assignee: Roplas Pty. Ltd., Collingwood, Australia**

[**] **Term: 14 Years**

[21] **Appl. No.: 477,829**

[22] **Filed: Mar. 22, 1983**

[30] **Foreign Application Priority Data**

Oct. 8, 1982 [AU] Australia 1791/82

[52] **U.S. Cl. D6/484; D6/487**

[58] **Field of Search D6/449, 477, 478, 479, D6/480, 484, 485, 487**

[56] **References Cited**

U.S. PATENT DOCUMENTS

D. 151,780 11/1948 Low D6/487 X

D. 152,686 2/1949 Guild et al. D6/480 X

D. 214,672 7/1969 Ricca D6/487 X

D. 235,953 7/1975 Uyeda D6/487
D. 250,313 11/1978 Miller D6/484
D. 263,774 4/1982 DeConinck D6/487
D. 266,548 10/1982 Huber, Jr. D6/480
3,863,875 2/1975 Olson D6/487 X
4,112,855 9/1978 Colby D6/487 X

OTHER PUBLICATIONS

“Garden Ideas & Outdoor Living” By Better Homes & Garden, ©1970, p. 4, Table in Panel 9.

Primary Examiner—Bruce W. Dunkins
Attorney, Agent, or Firm—Merchant, Gould, Smith, Edell, Welter & Schmidt

[57] **CLAIM**

The ornamental design for a table or the like, as shown and described.

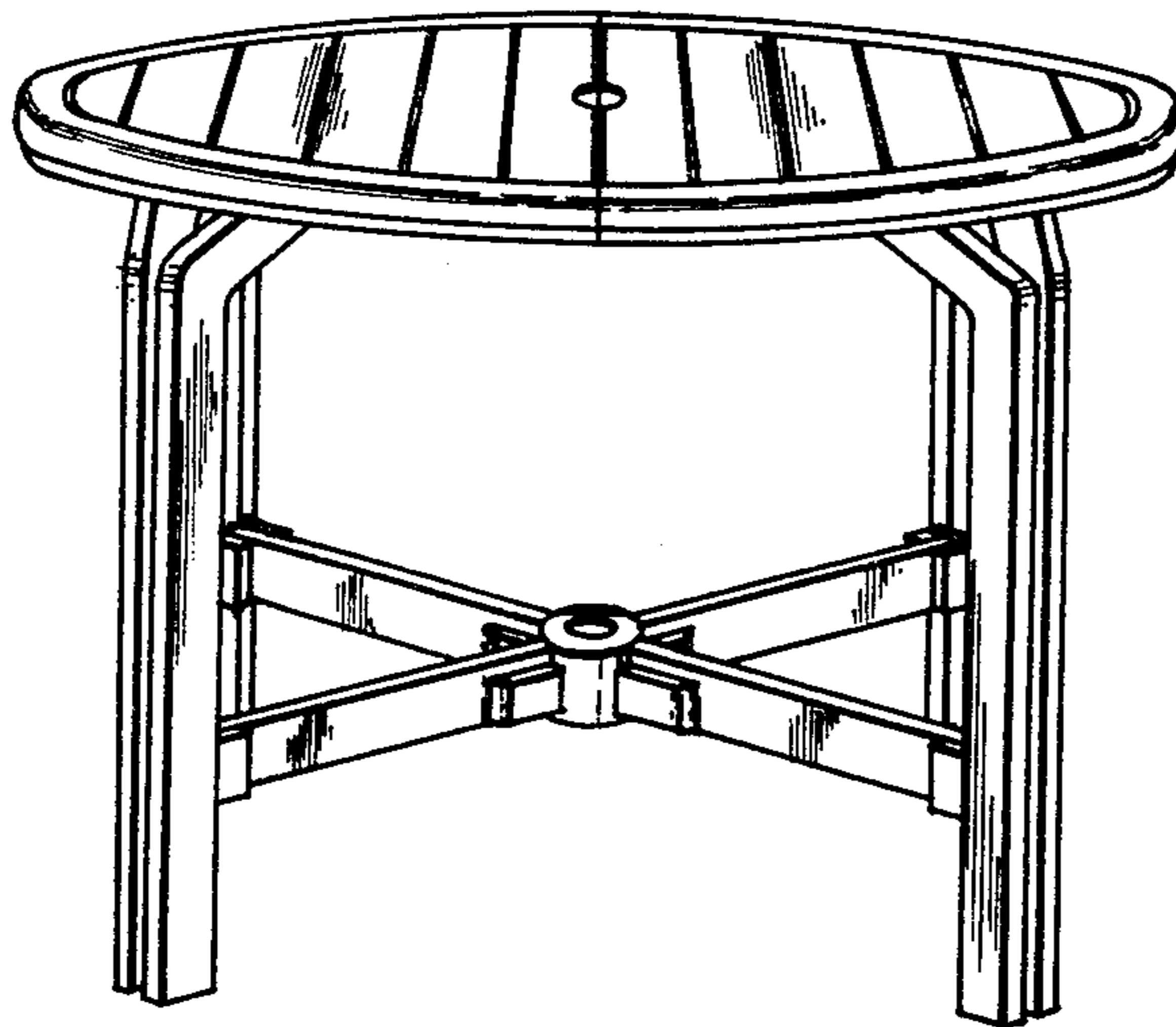
DESCRIPTION

FIG. 1 is a top plan view of a table or the like showing my design;

FIG. 2 is a bottom plan view;

FIG. 3 is a side elevational view; and

FIG. 4 is a perspective view thereof.



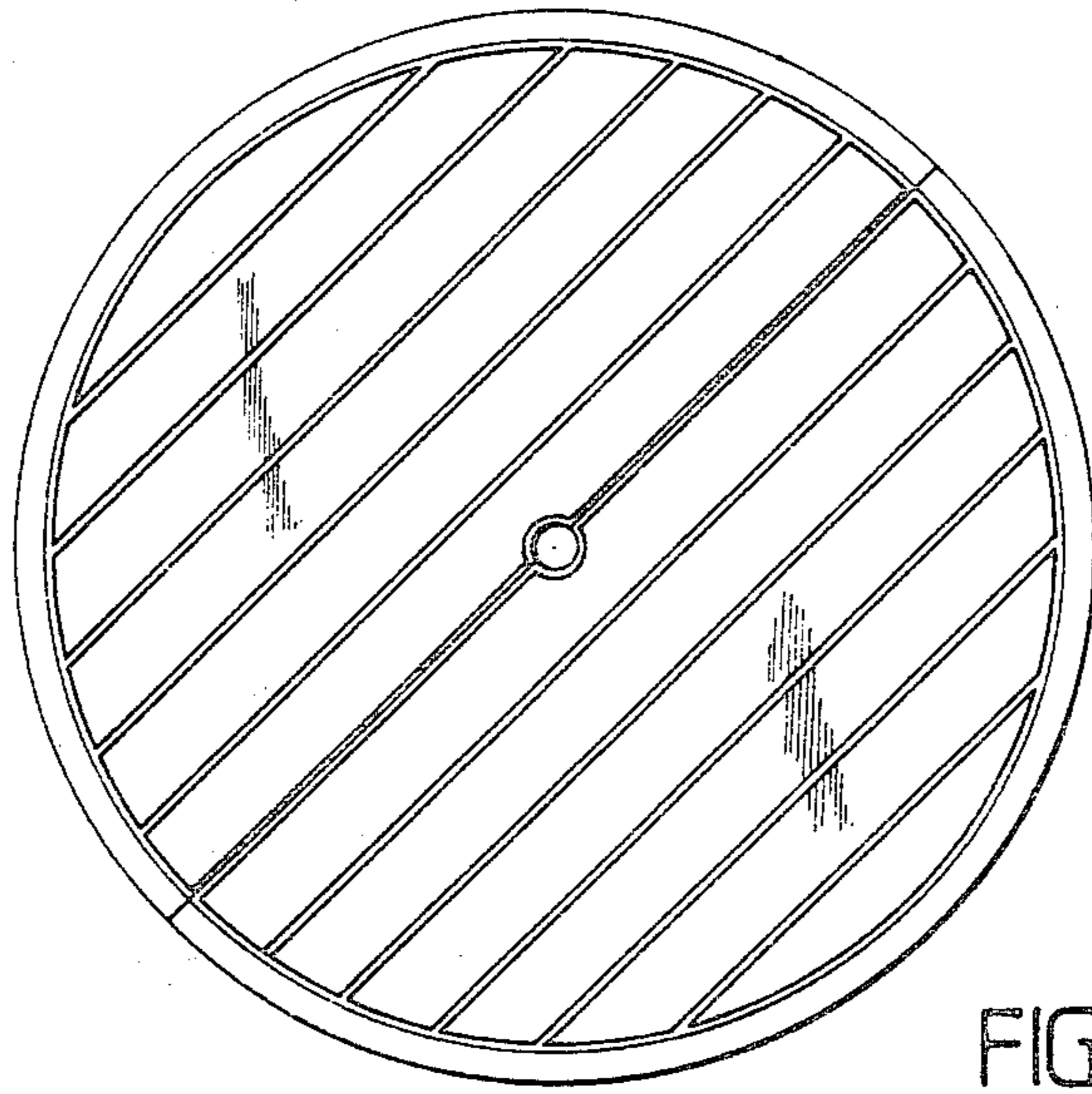


FIG 1

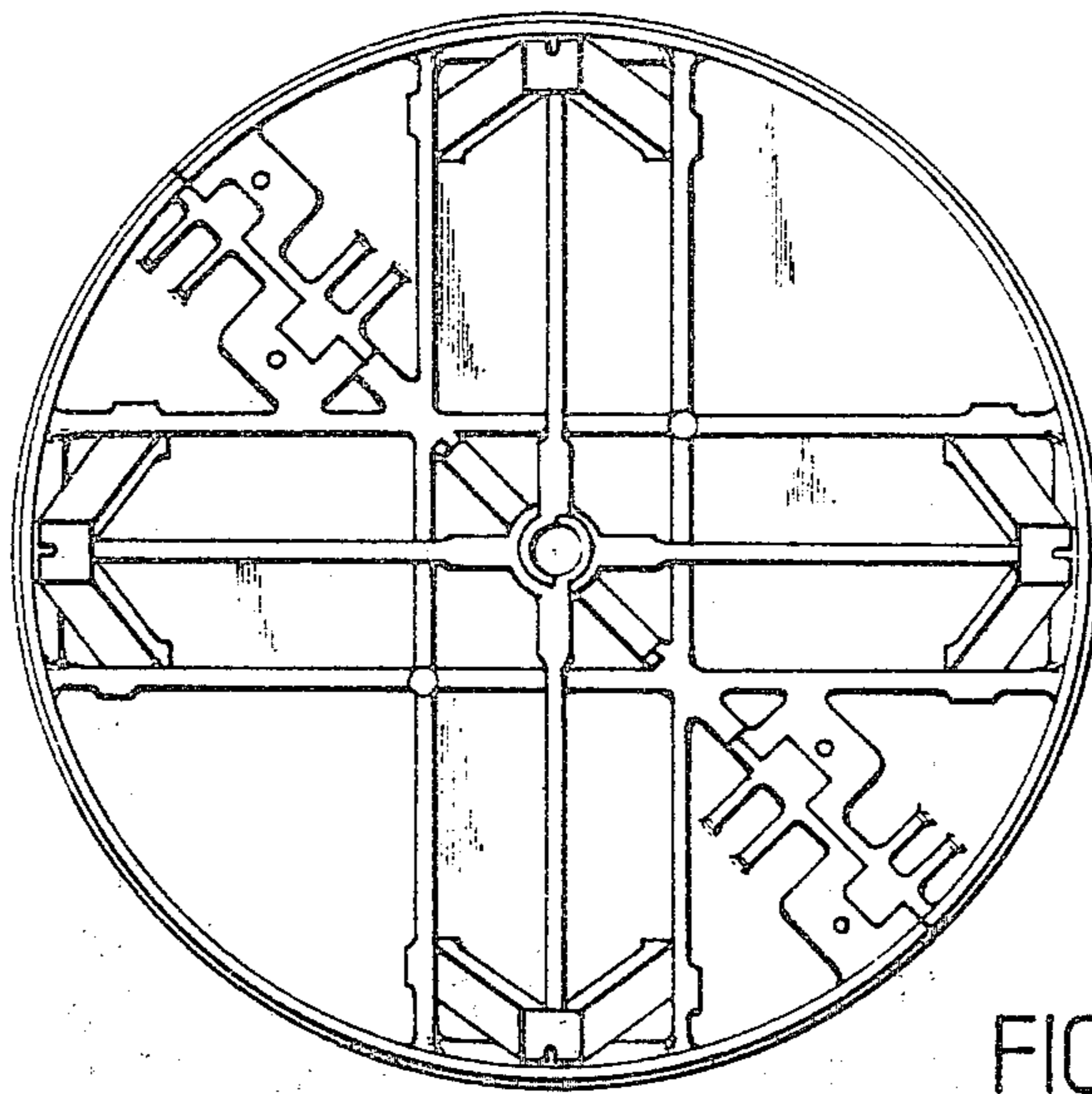


FIG 2

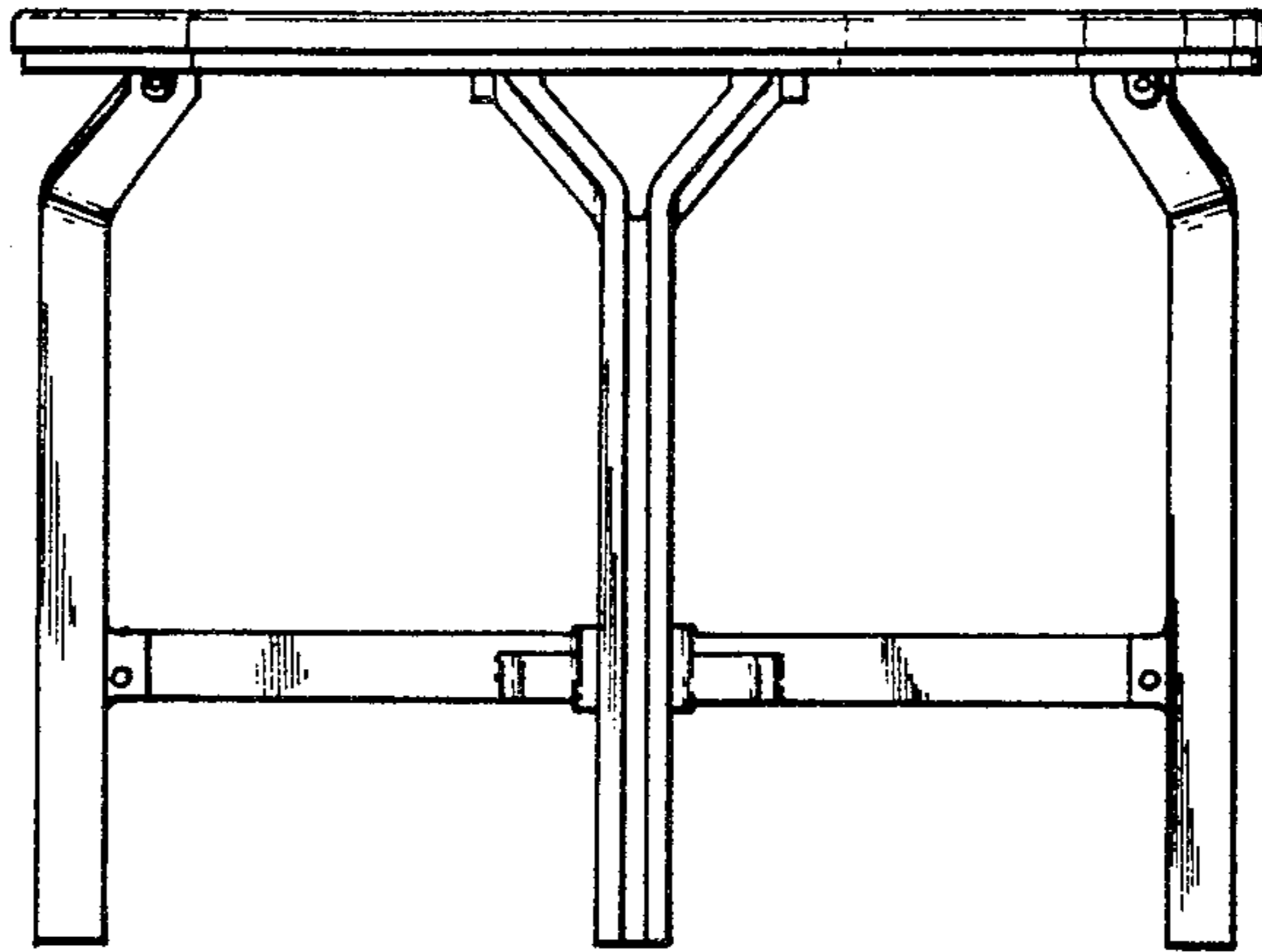


FIG 3

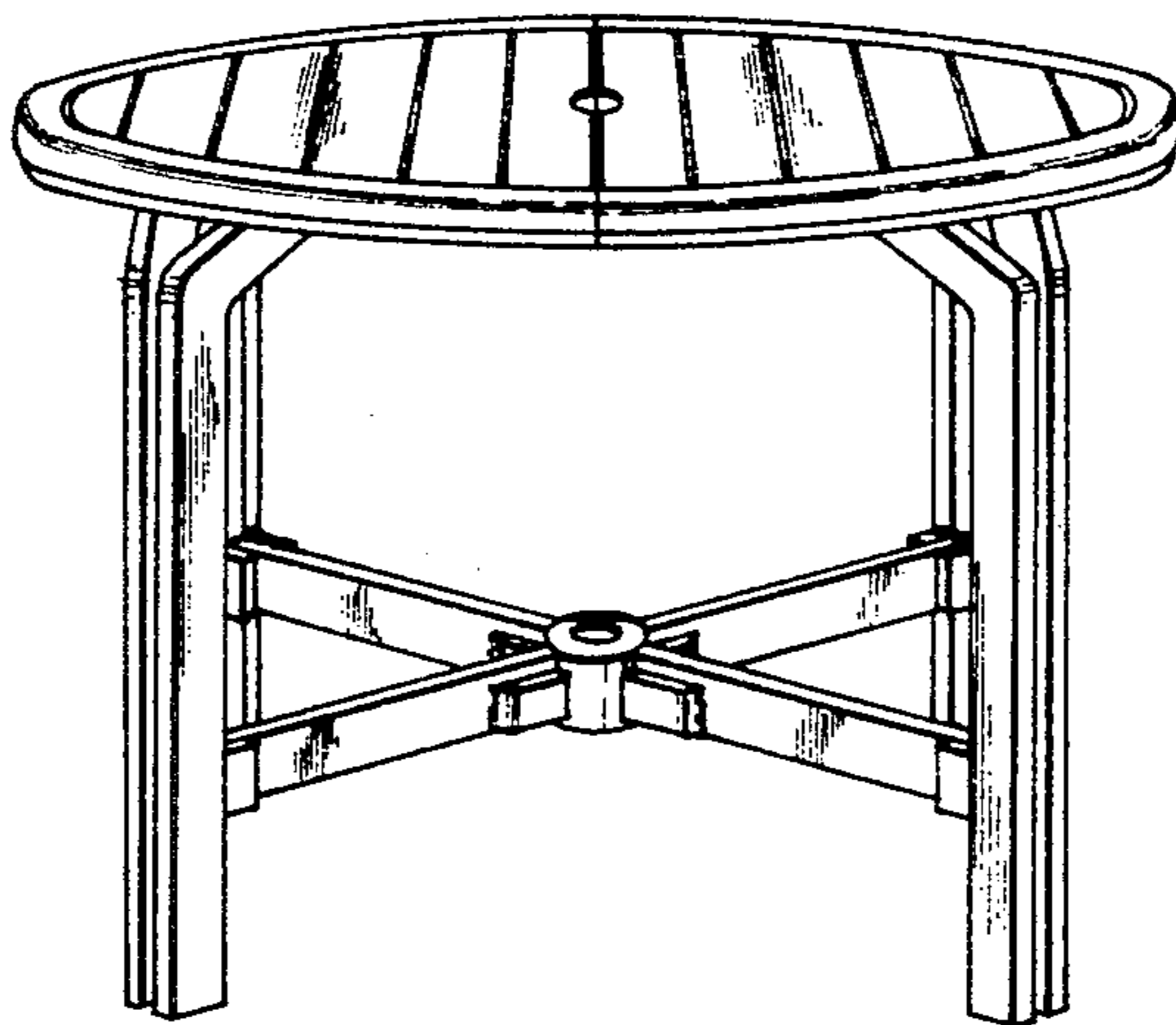


FIG 4