

[54] UTILITY STAND

[75] Inventors: Irwin J. Ferdinand, Glencoe; Milton C. Handler, Northbrook; Richard Sylvan, Glenview; Herbert Baisch, Palatine, all of Ill.

[73] Assignee: Hirsh Company, Skokie, Ill.

[*] Notice: The portion of the term of this patent subsequent to Jul. 23, 1989 has been disclaimed.

[**] Term: 14 Years

[21] Appl. No.: 537,173

[22] Filed: Sep. 29, 1983

[52] U.S. Cl. D6/477; D6/352

[58] Field of Search D6/432, 477, 479, 350, D6/352, 474; D34/20, 21; 312/286; 108/92, 93, 96, 111, 59

[56] References Cited

U.S. PATENT DOCUMENTS

1,109,765	9/1914	Lampert	108/111
1,549,146	8/1925	Miner	108/111
1,667,913	5/1928	Weston	108/111 X
1,743,863	1/1930	Northrop et al.	108/111 X
2,690,372	9/1954	Kelly	312/286

Primary Examiner—Carmen H. Vales

Attorney, Agent, or Firm—Welsh & Katz, Ltd.

[57] CLAIM

The ornamental design for a utility stand, substantially as shown and described.

DESCRIPTION

FIG. 1 is a perspective view of a utility stand showing our new design;
 FIG. 2 is a front elevational view, the rear view being identical thereto;
 FIG. 3 is a right side elevational view, the left side view being identical thereto;
 FIG. 4 is a perspective view of a second embodiment of the utility stand shown in FIG. 1;
 FIG. 5 is a front elevational view of the utility stand of FIG. 4, the rear view being identical thereto;
 FIG. 6 is a right side elevational view of the utility stand of FIG. 4, the left side view being identical thereto;
 FIG. 7 is a perspective view of a third embodiment of the utility stand shown in FIG. 1;
 FIG. 8 is a front elevational view of the utility stand of FIG. 7, the rear view being identical thereto;
 FIG. 9 is a right side elevational view of the utility stand of FIG. 7, the left side view being identical thereto;
 FIG. 10 is a top plan view of each embodiment thereof; and
 FIG. 11 is a bottom plan view of each embodiment thereof.

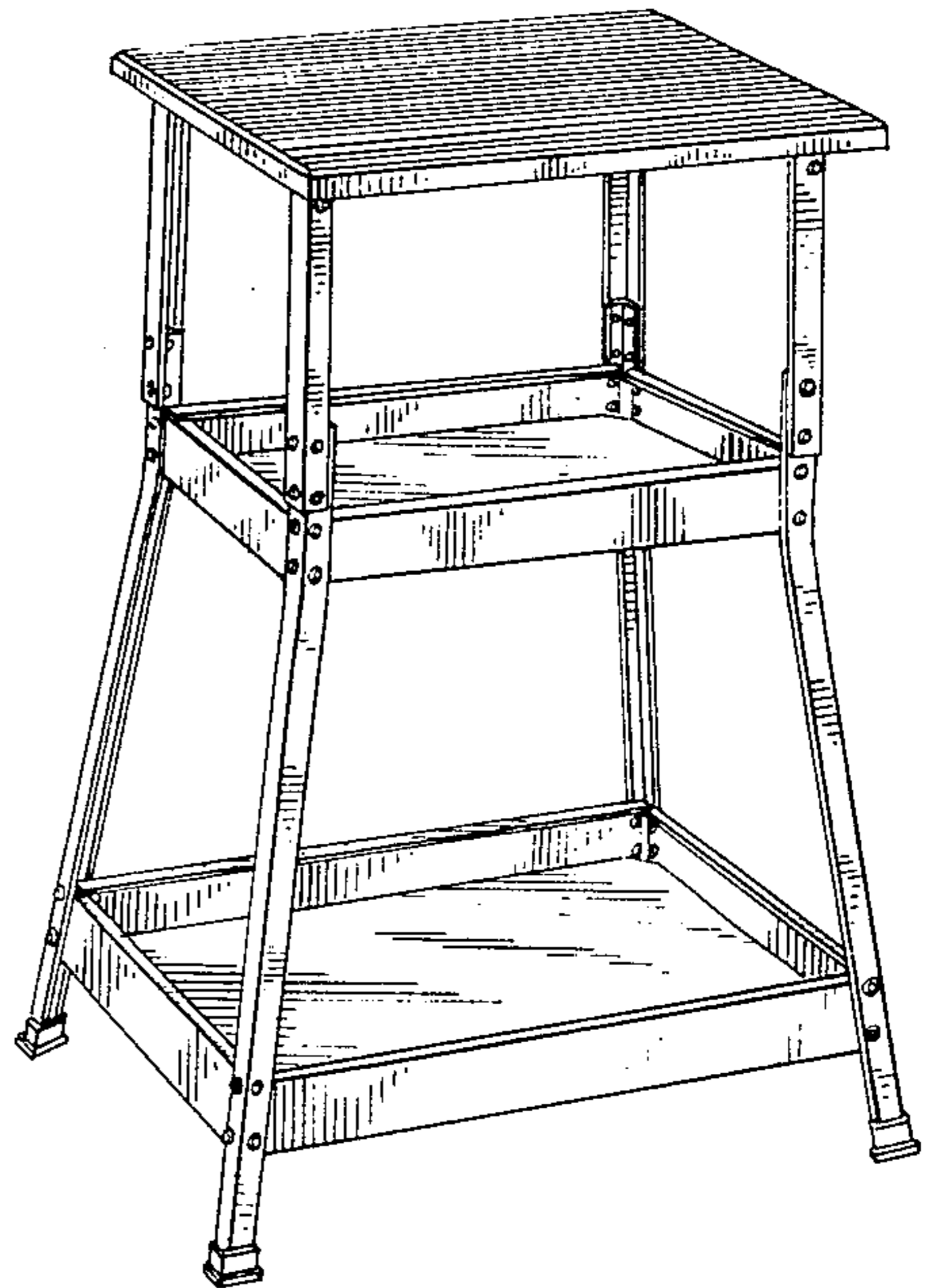
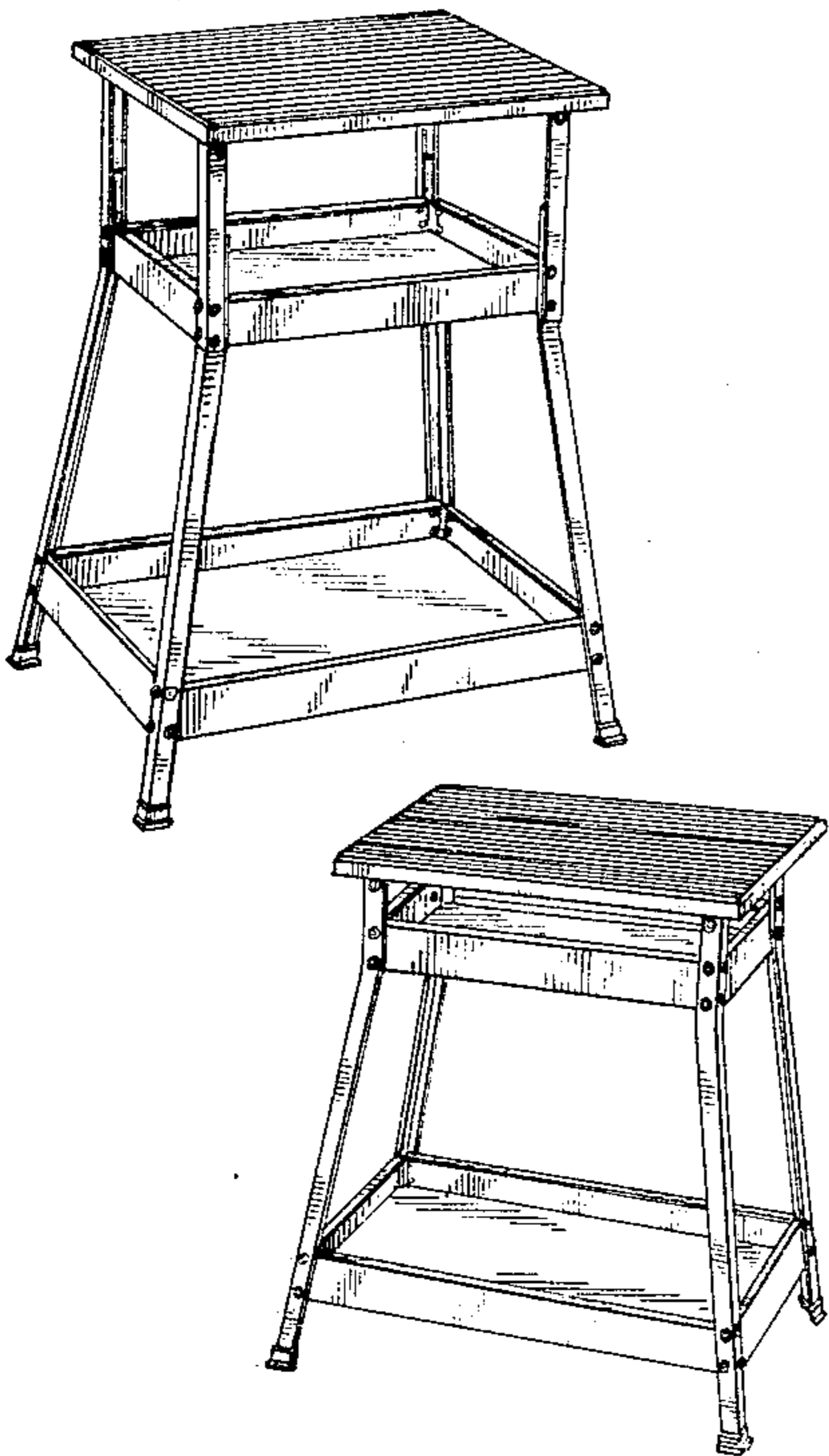


Fig. 1

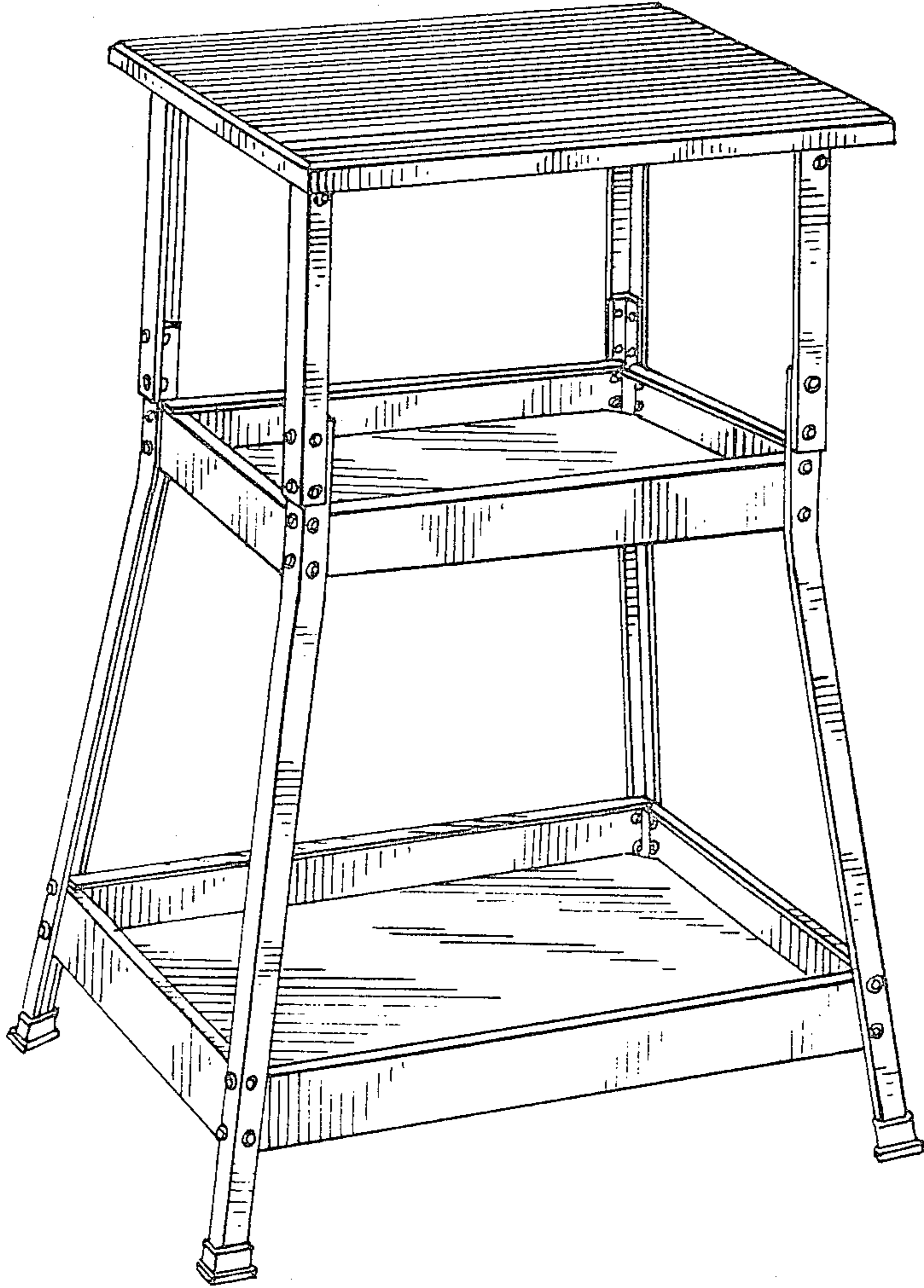


Fig. 2

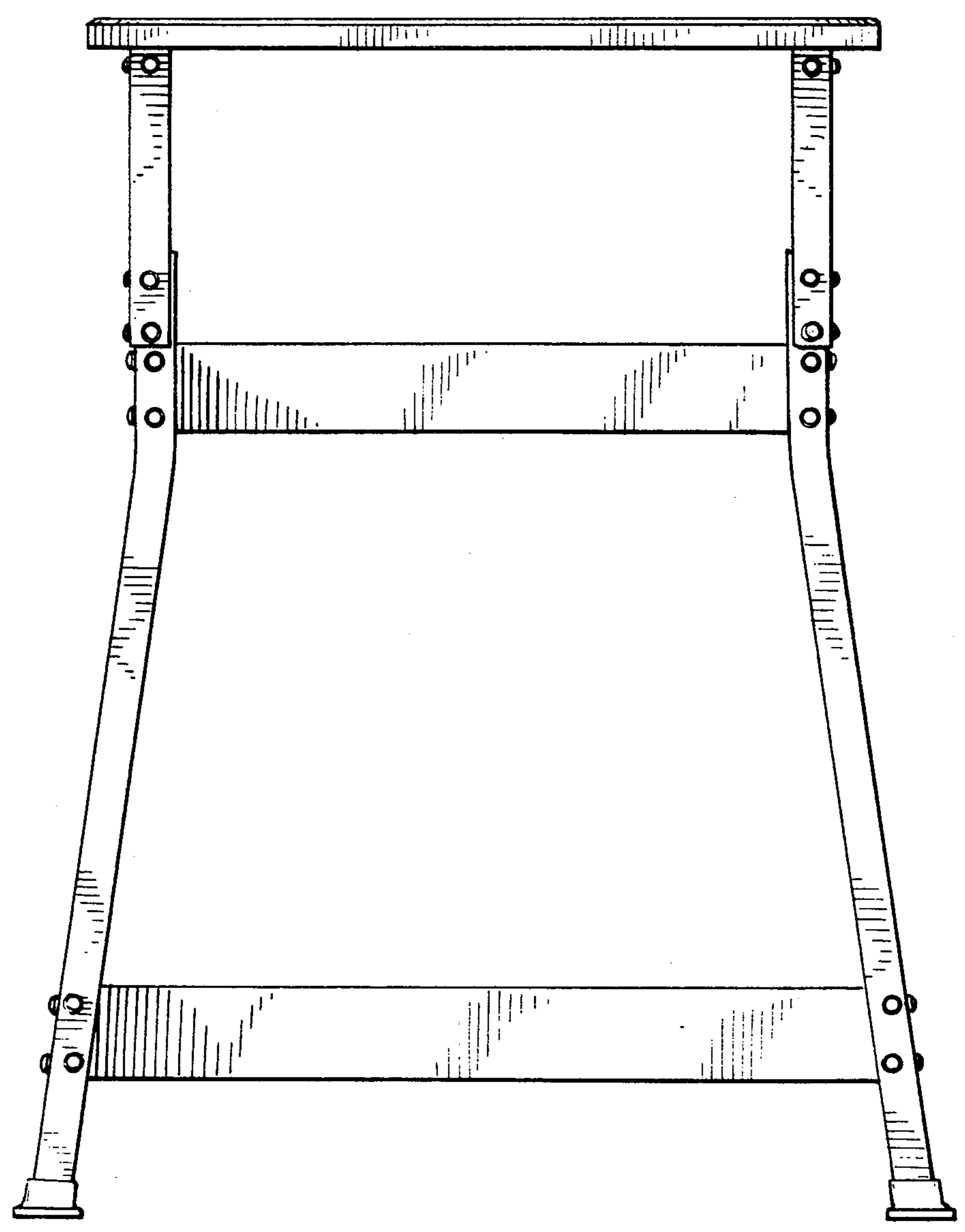


Fig. 3

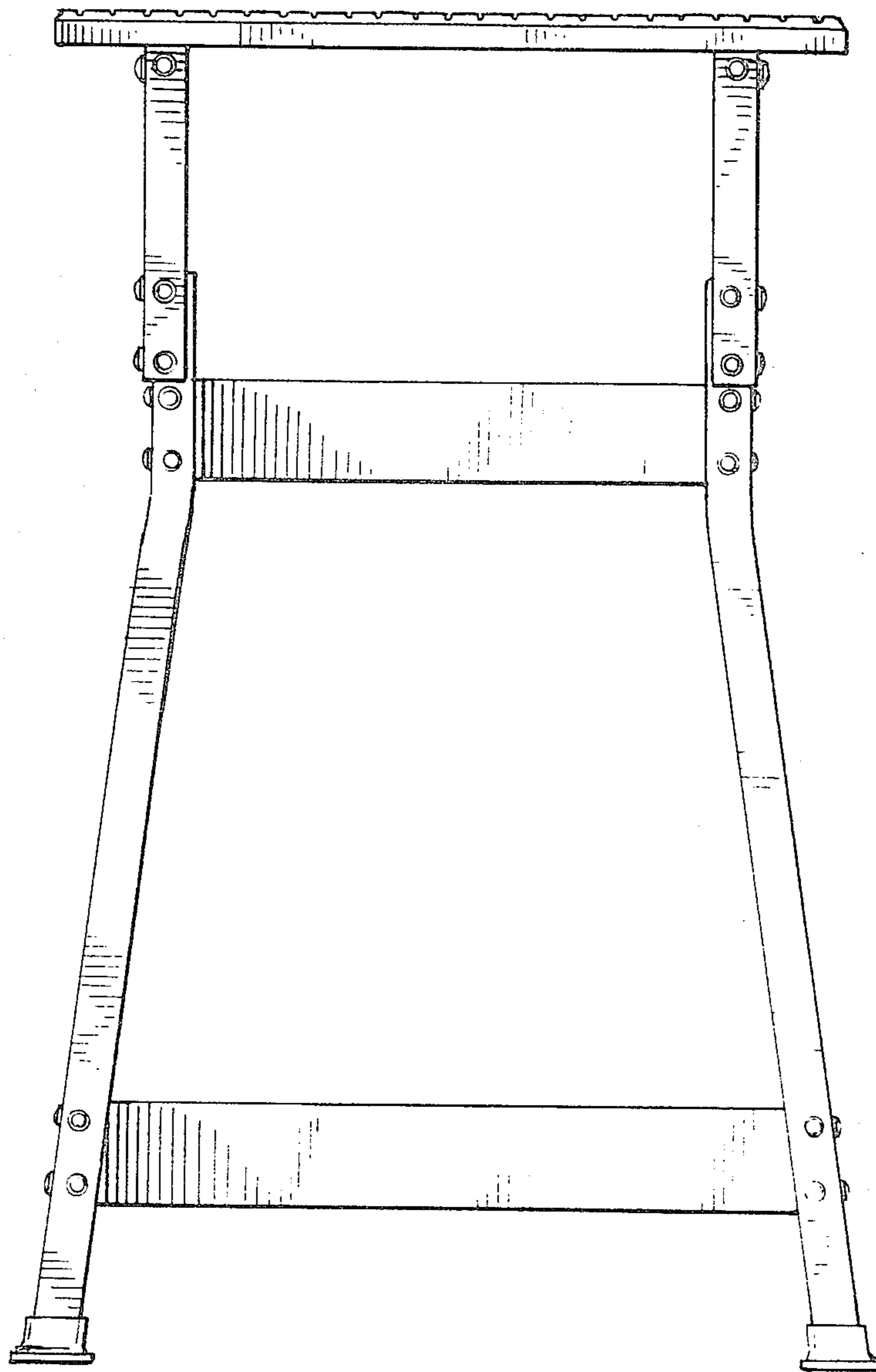


Fig. 4

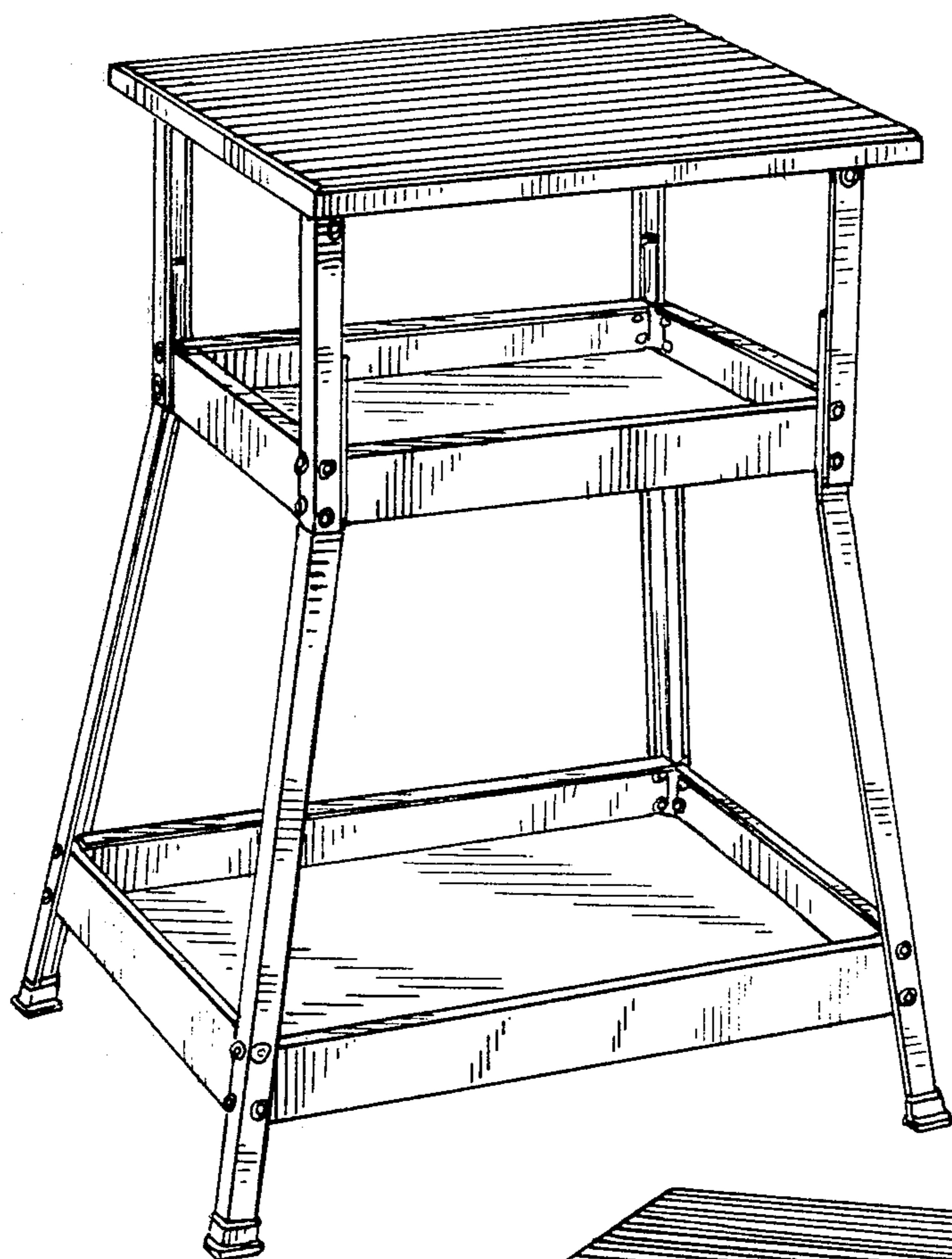


Fig. 7

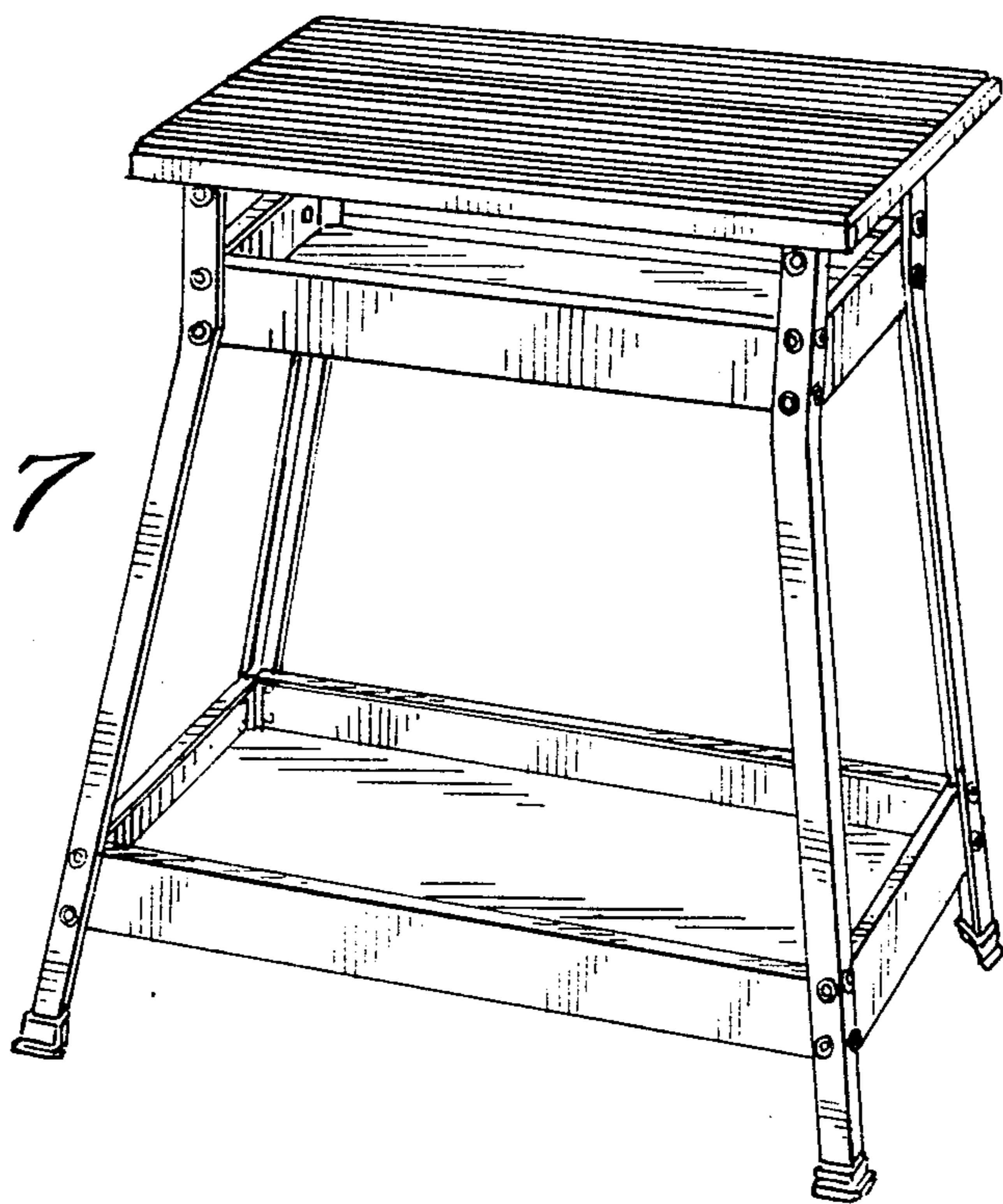


Fig. 5

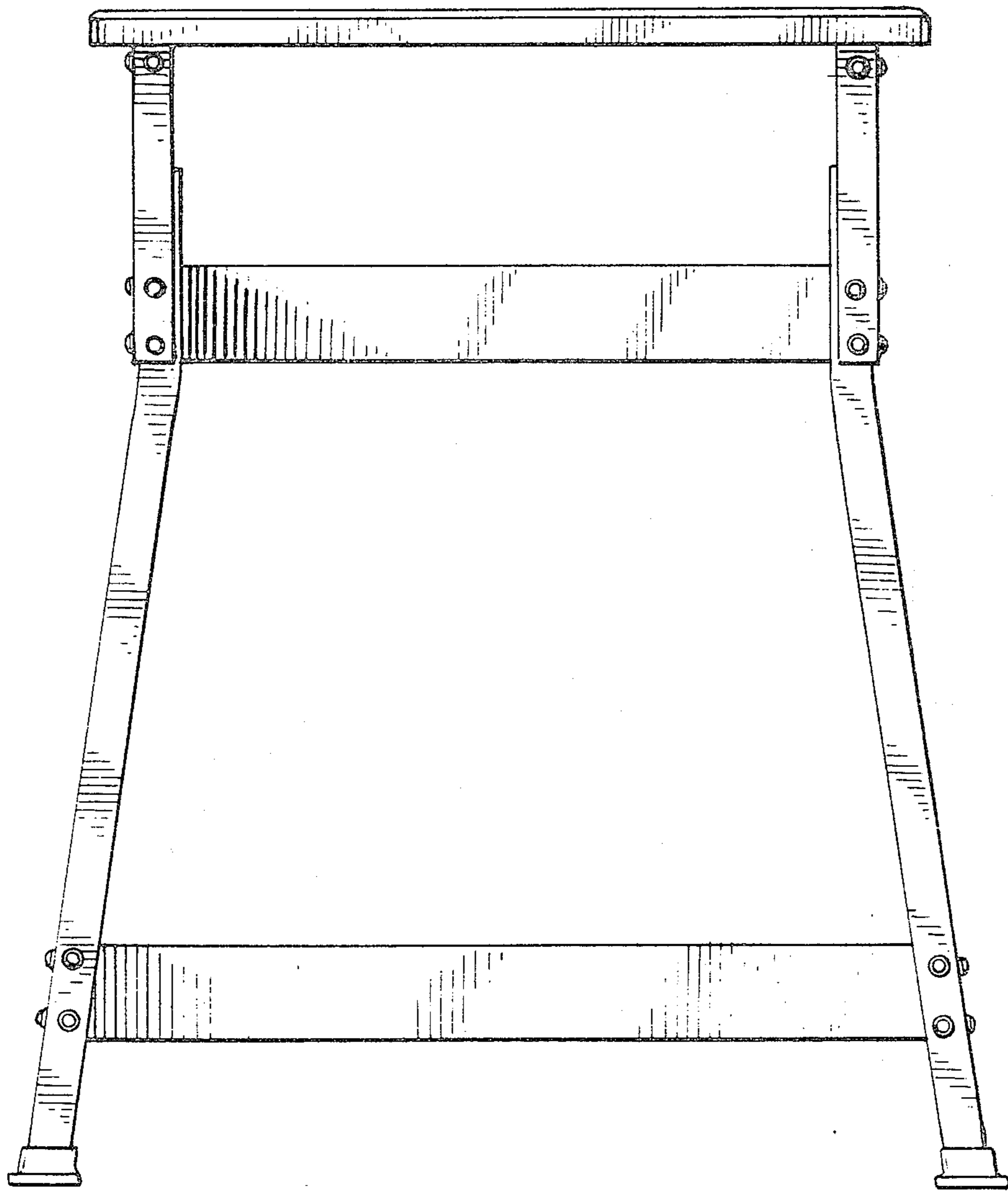


Fig. 6

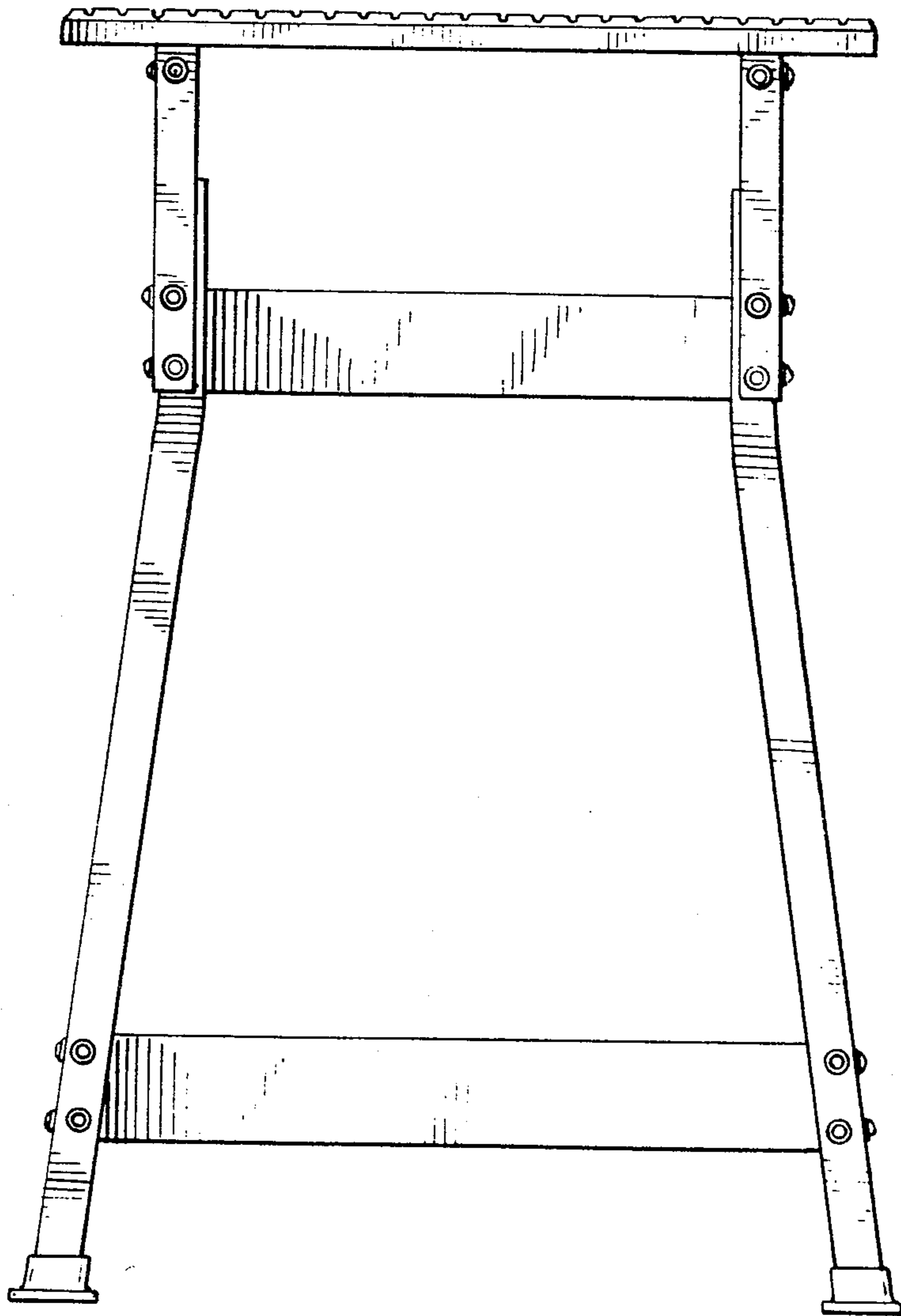


Fig. 8

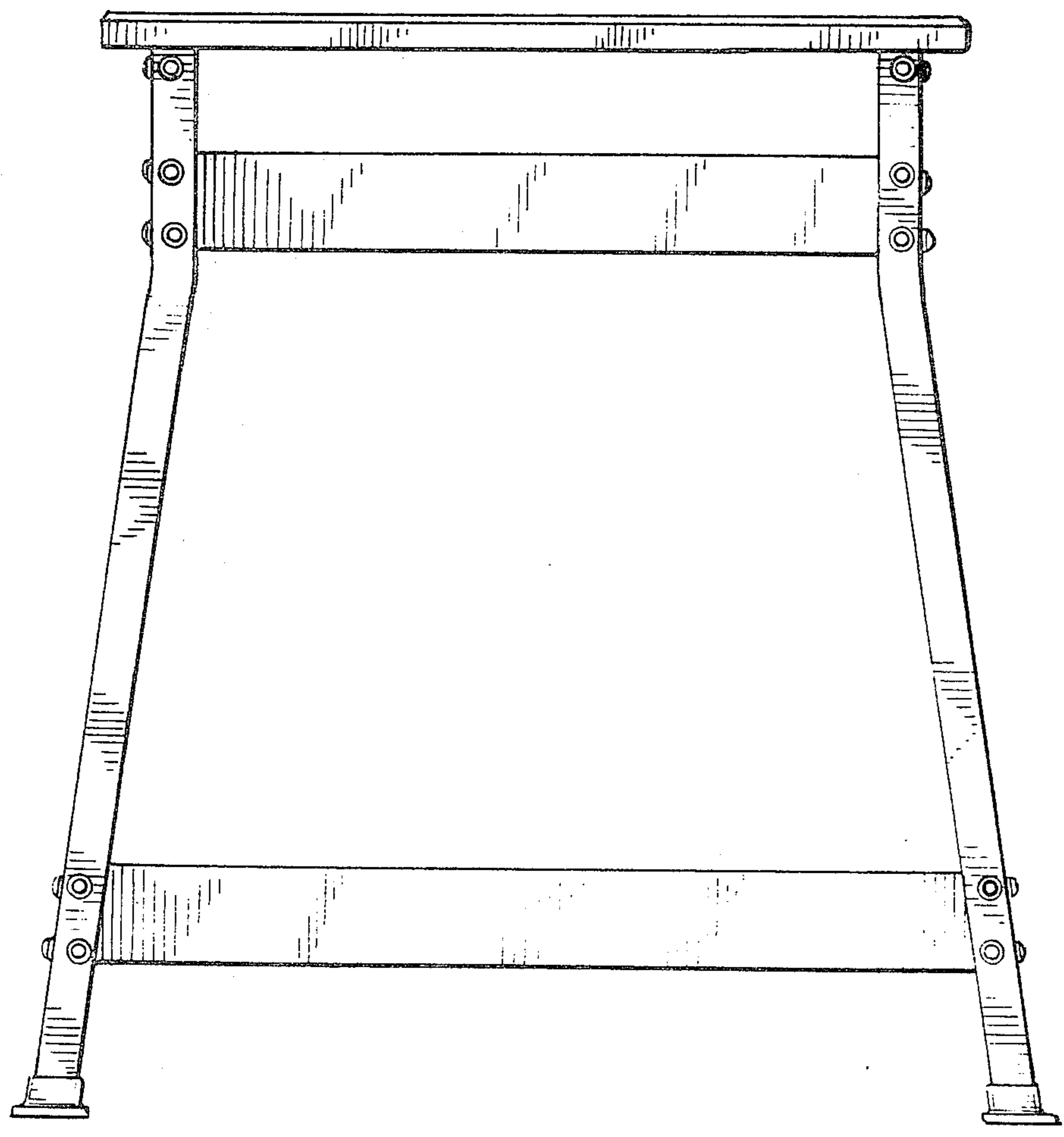


Fig. 9

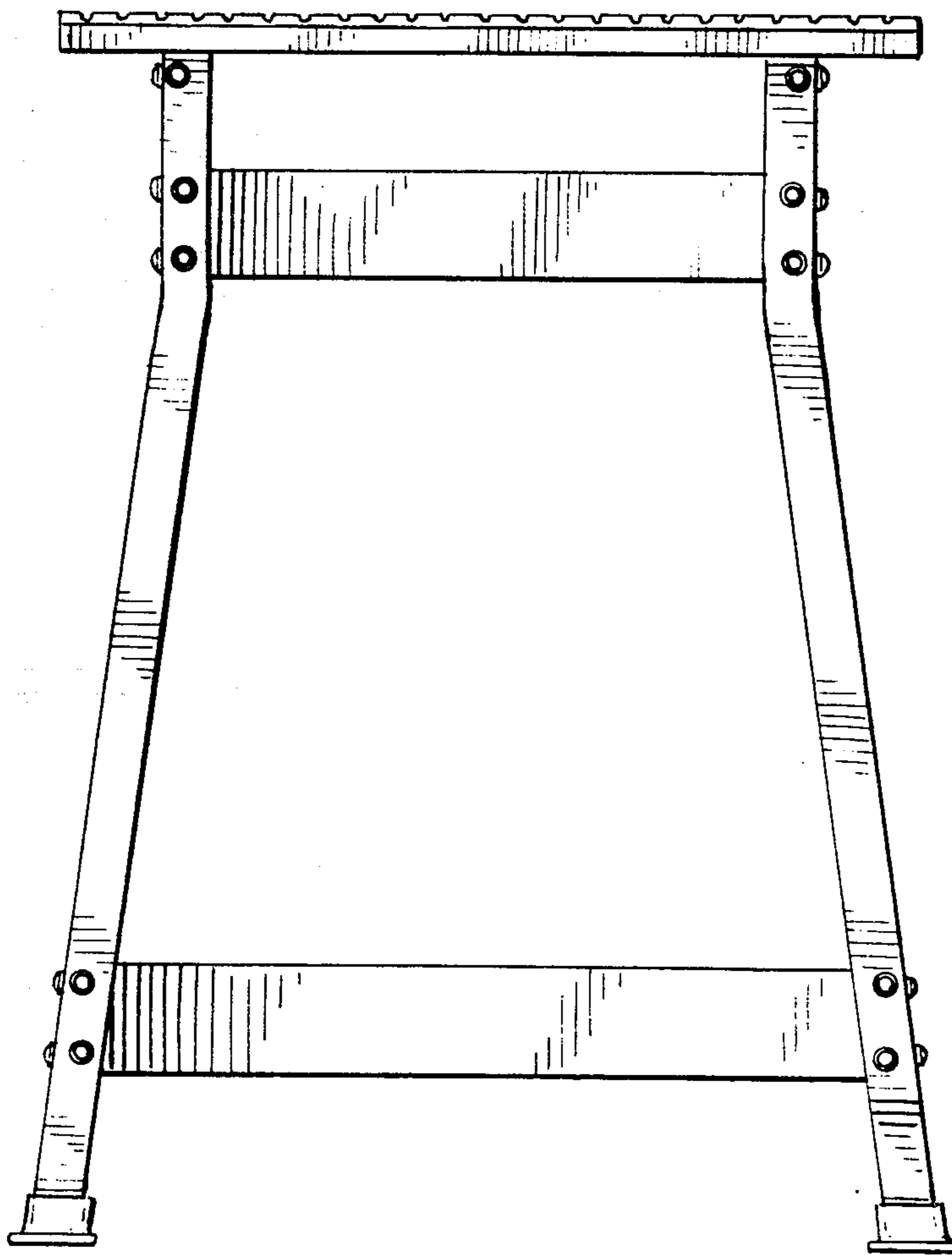


Fig. 10

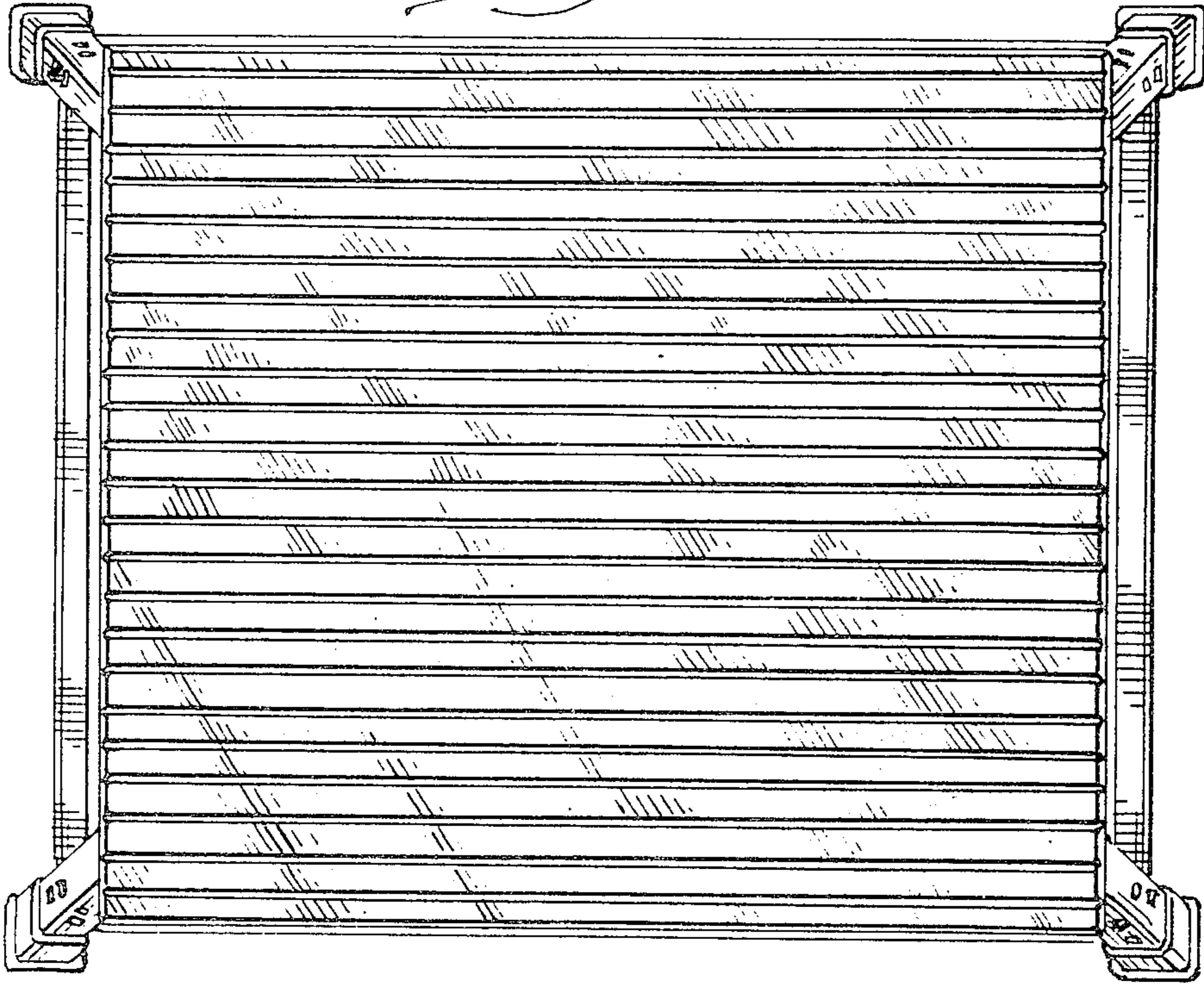


Fig. 11

