

[54] ADJUSTABLE TABLE

[76] Inventor: Gabriella Crespi, Via Montenapoleone, 2 Milan, Italy

[**] Term: 14 Years

[21] Appl. No.: 473,323

[22] Filed: Mar. 8, 1983

[30] Foreign Application Priority Data

Sep. 15, 1982 [IT] Italy 22876/82[U]

[52] U.S. Cl. D6/430; D6/477; D6/479; D6/486

[58] Field of Search D6/430, 429, 431, 449, D6/474, 477, 479, 480, 482, 486, 487, 488

[56] References Cited

U.S. PATENT DOCUMENTS

- D. 228,272 9/1973 Hutchinson D6/488 X
- D. 236,301 8/1975 Mudde D6/486
- D. 261,341 10/1981 Eberle D6/486 X
- D. 268,239 3/1983 Crespi D6/430
- D. 268,240 3/1983 Crespi D6/474 X

OTHER PUBLICATIONS

Knoll Associates Catalog, ©1962, p. 14, Table bottom left.

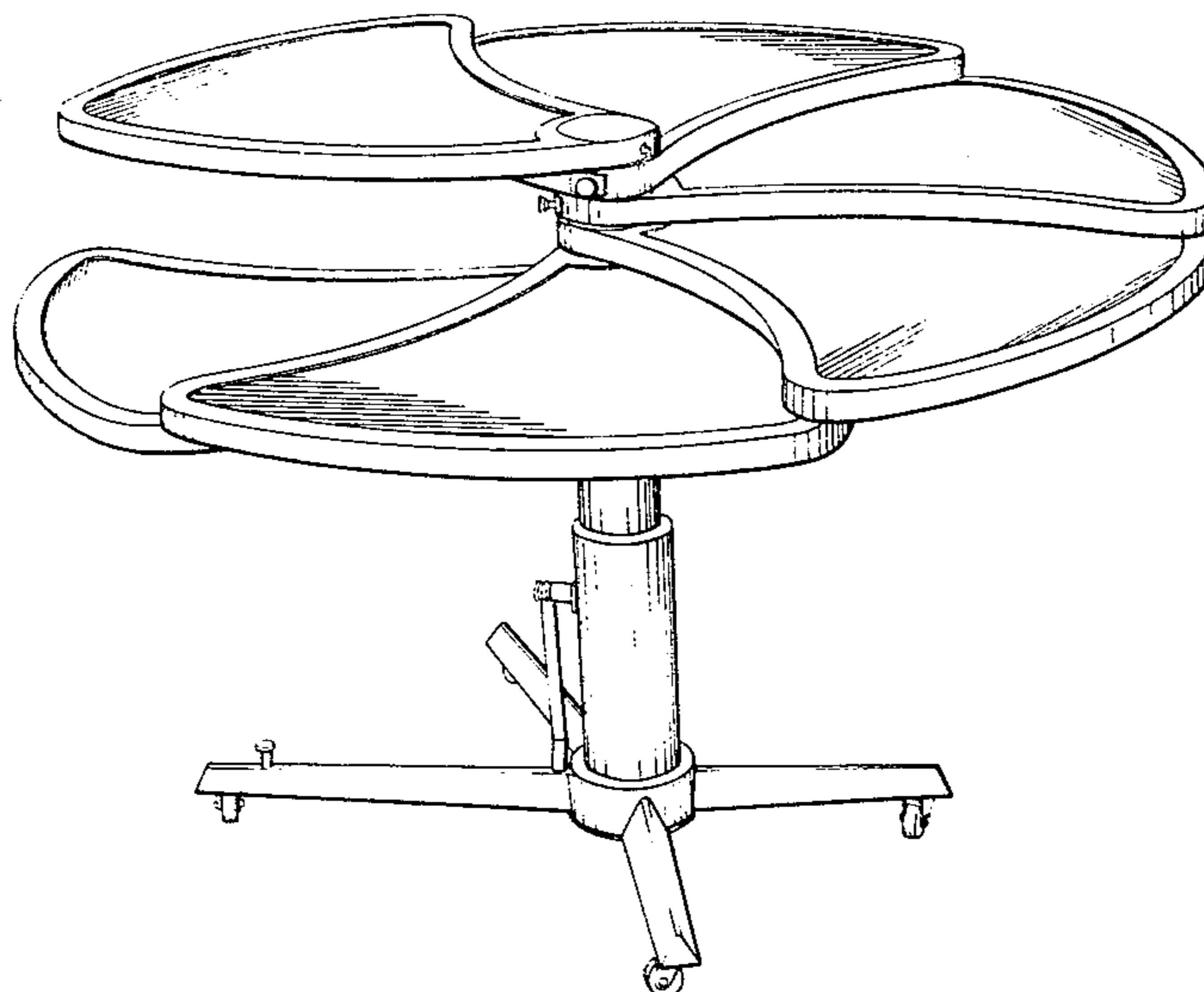
Primary Examiner—Bruce W. Dunkins
Attorney, Agent, or Firm—Holman & Stern

[57] CLAIM

The ornamental design for an adjustable table, as shown.

DESCRIPTION

FIG. 1 is a perspective view of the adjustable table of my design;
 FIG. 2 is a top plan view thereof;
 FIG. 3 is a bottom view of the table;
 FIG. 4 is a front elevational view thereof;
 FIG. 5 is a rear elevational view thereof;
 FIG. 6 is a left side elevational view thereof;
 FIG. 7 is a front perspective view thereof showing the table in a raised position with the superimposed-petal surfaces in one position of opening;
 FIG. 8 is a view similar to FIG. 7 showing the superimposed-petal surfaces in another position;
 FIG. 9 is a perspective view thereof from the opposite side to FIG. 1 showing the table in a raised position with the superimposed-petal surfaces in another position;
 FIG. 10 is a different perspective view thereof showing the table in a raised position with the superimposed-petal surfaces in yet another position;
 FIG. 11 is a different perspective view thereof showing the table in a lowered position with the superimposed-petal surfaces in yet another position;
 FIG. 12 is a still different perspective view thereof showing the table in a lowered position with the superimposed-petal surfaces in yet another position; and
 FIG. 13 is a still different perspective view thereof showing the table in a lowered position with the superimposed-petal surfaces in yet another position.



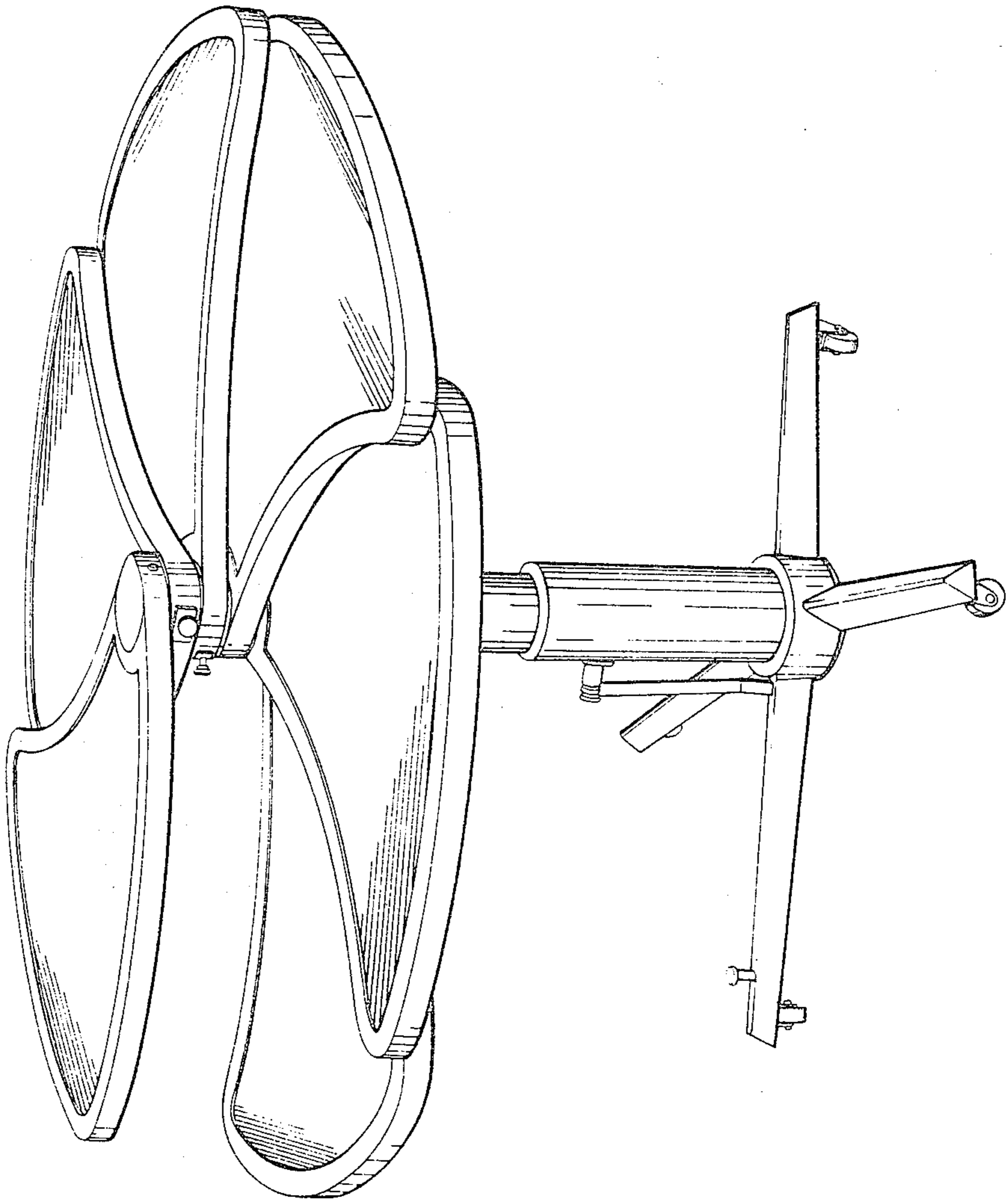


Fig. 1

Fig.2

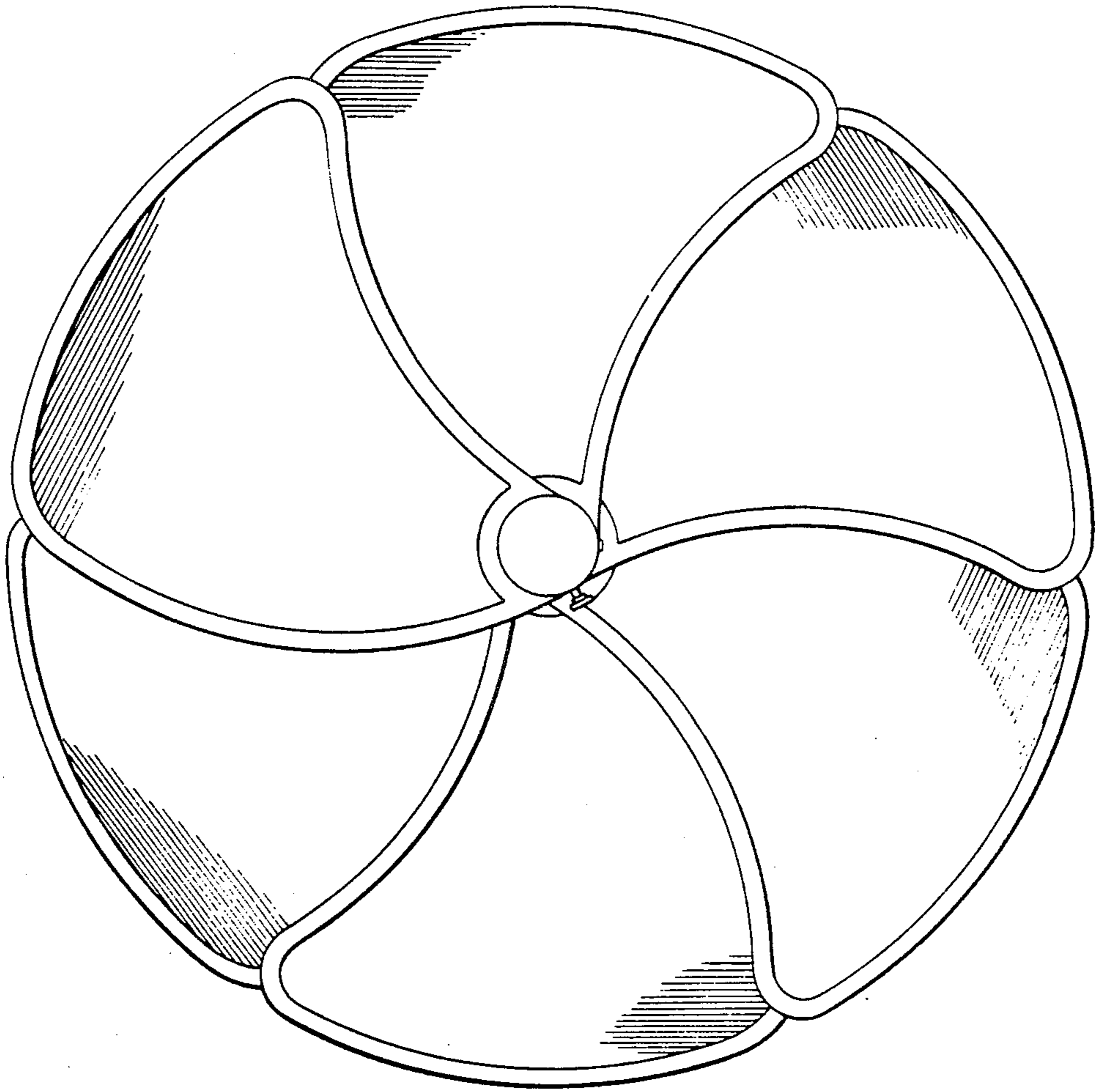
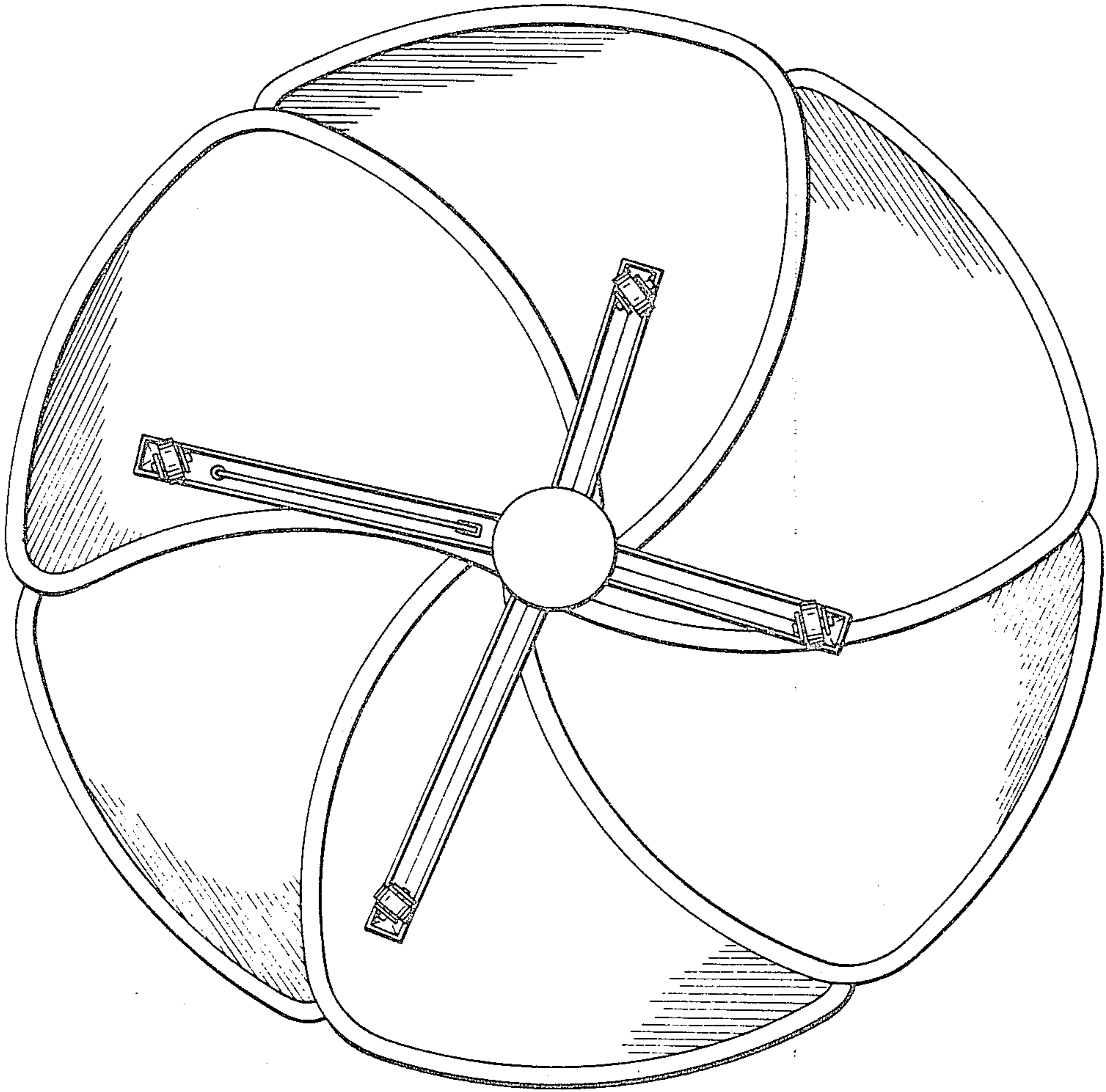


Fig.3



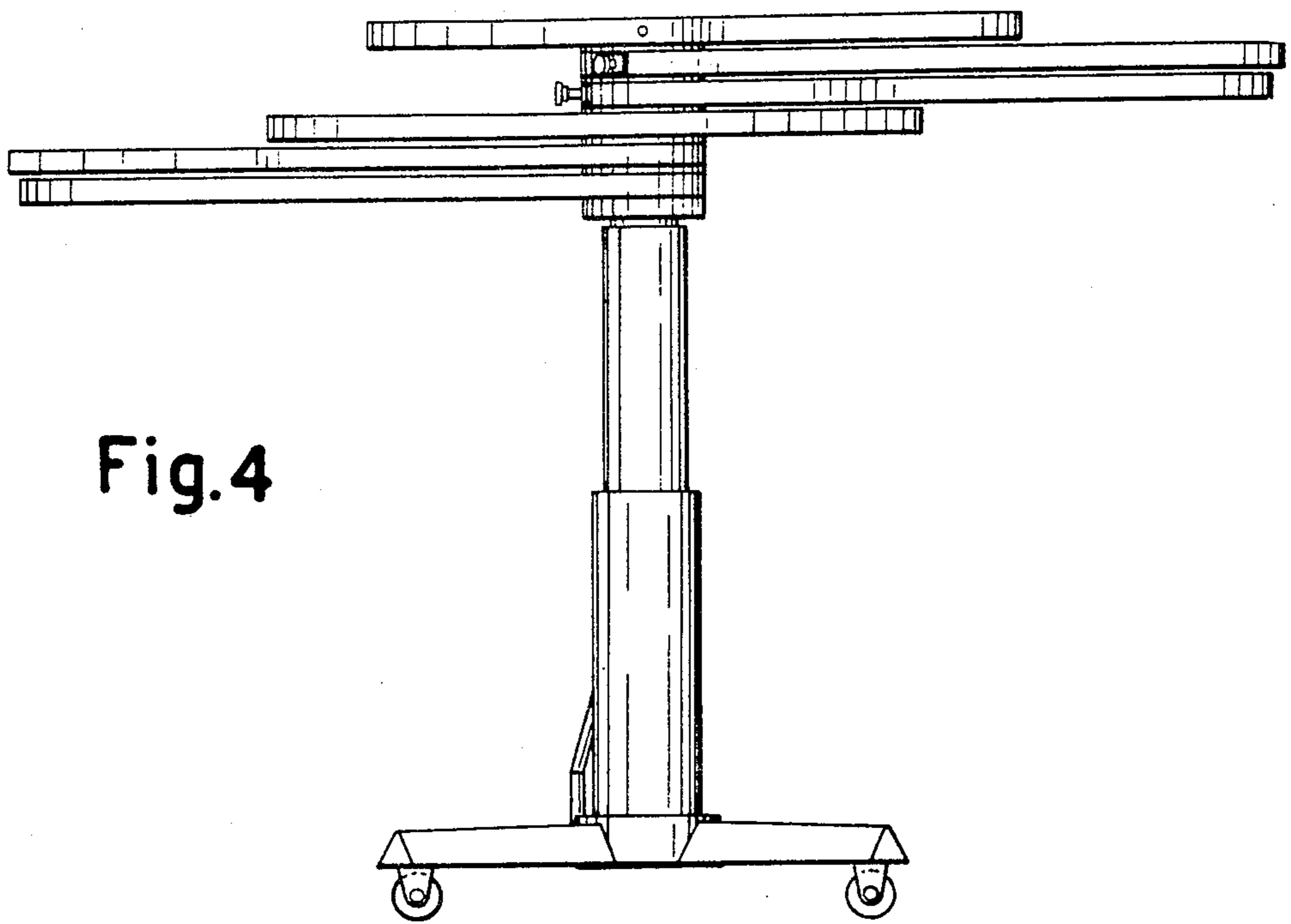


Fig. 4

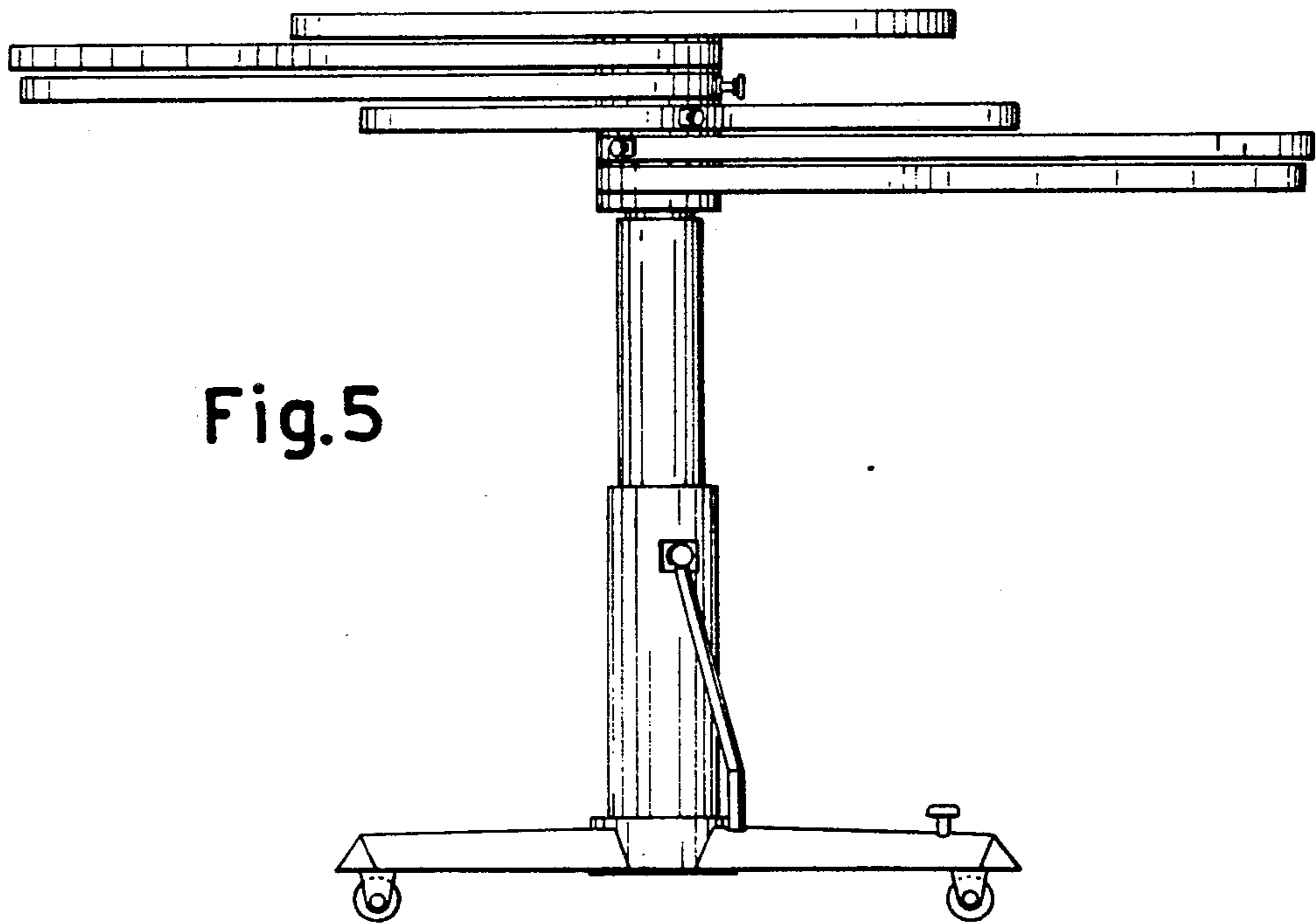


Fig. 5

Fig.6

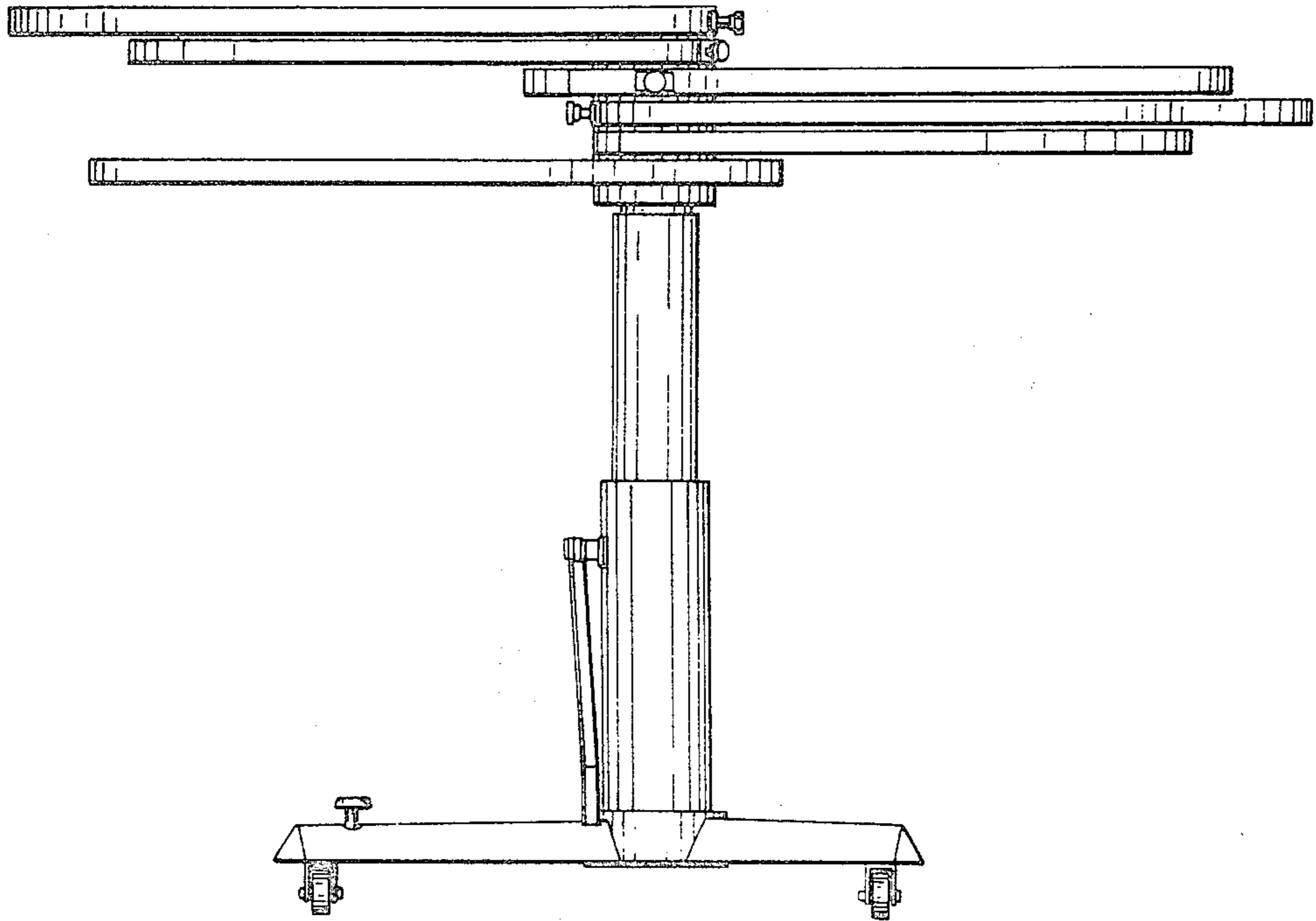
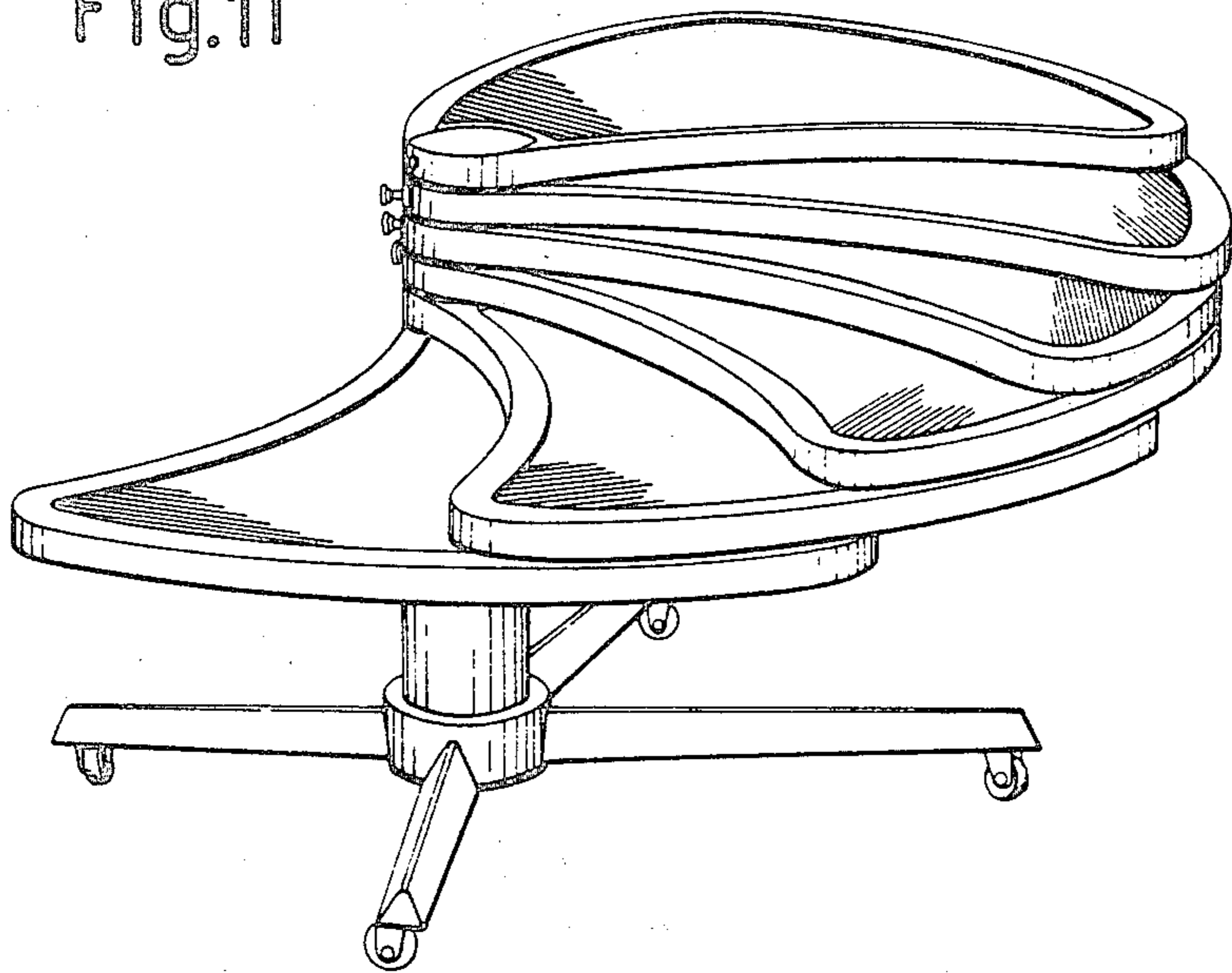


Fig.11



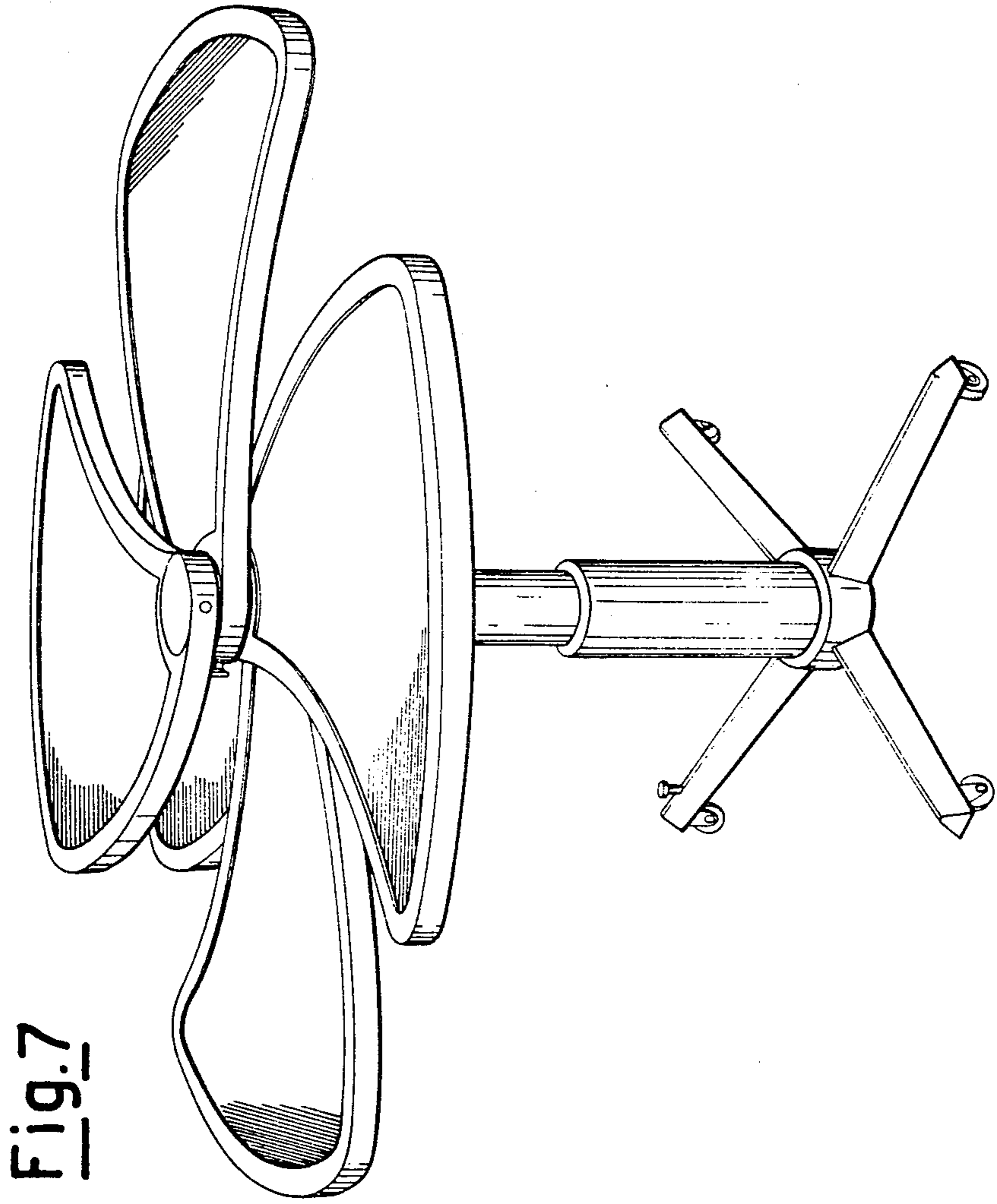


Fig. 7

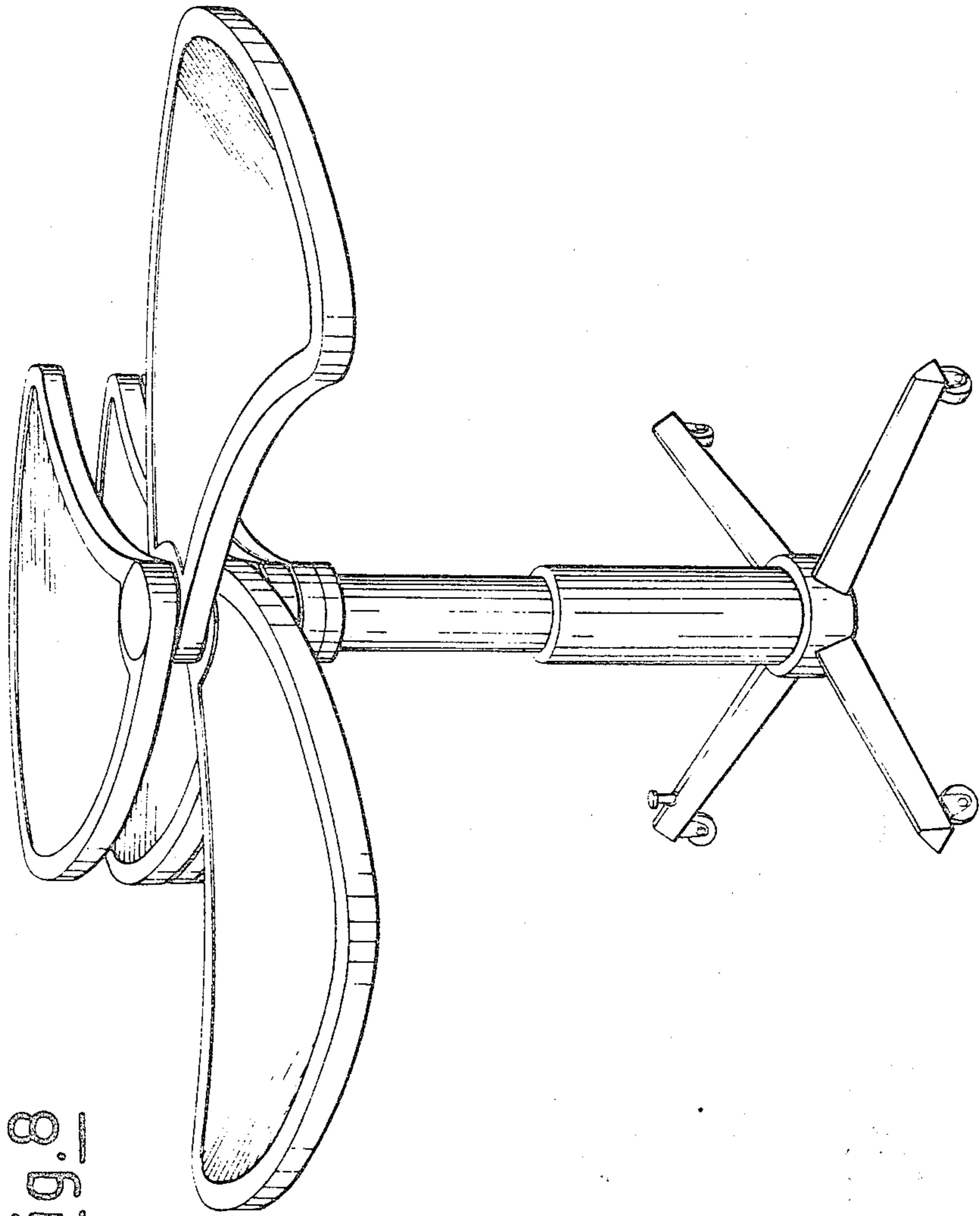


Fig. 8

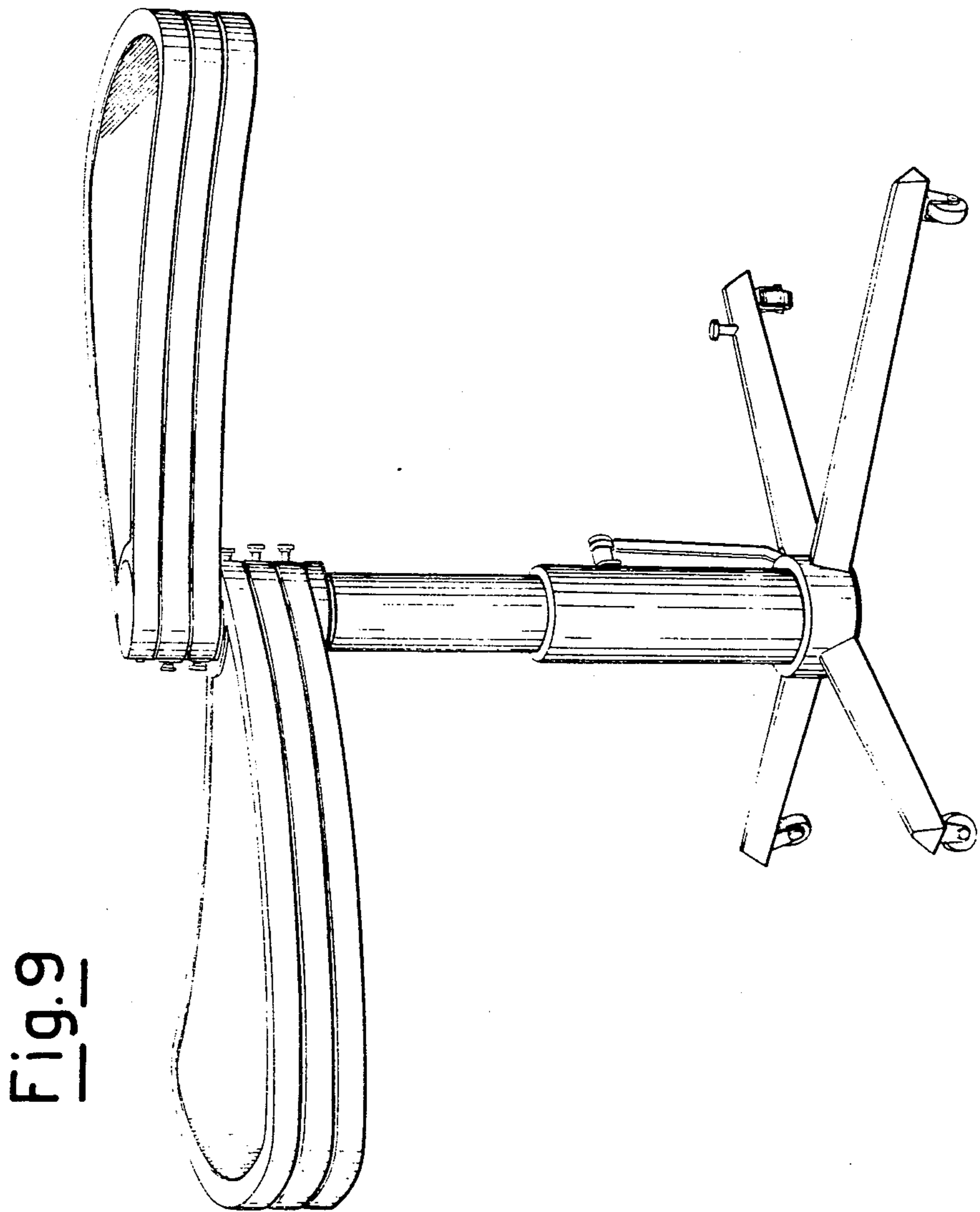


Fig. 10

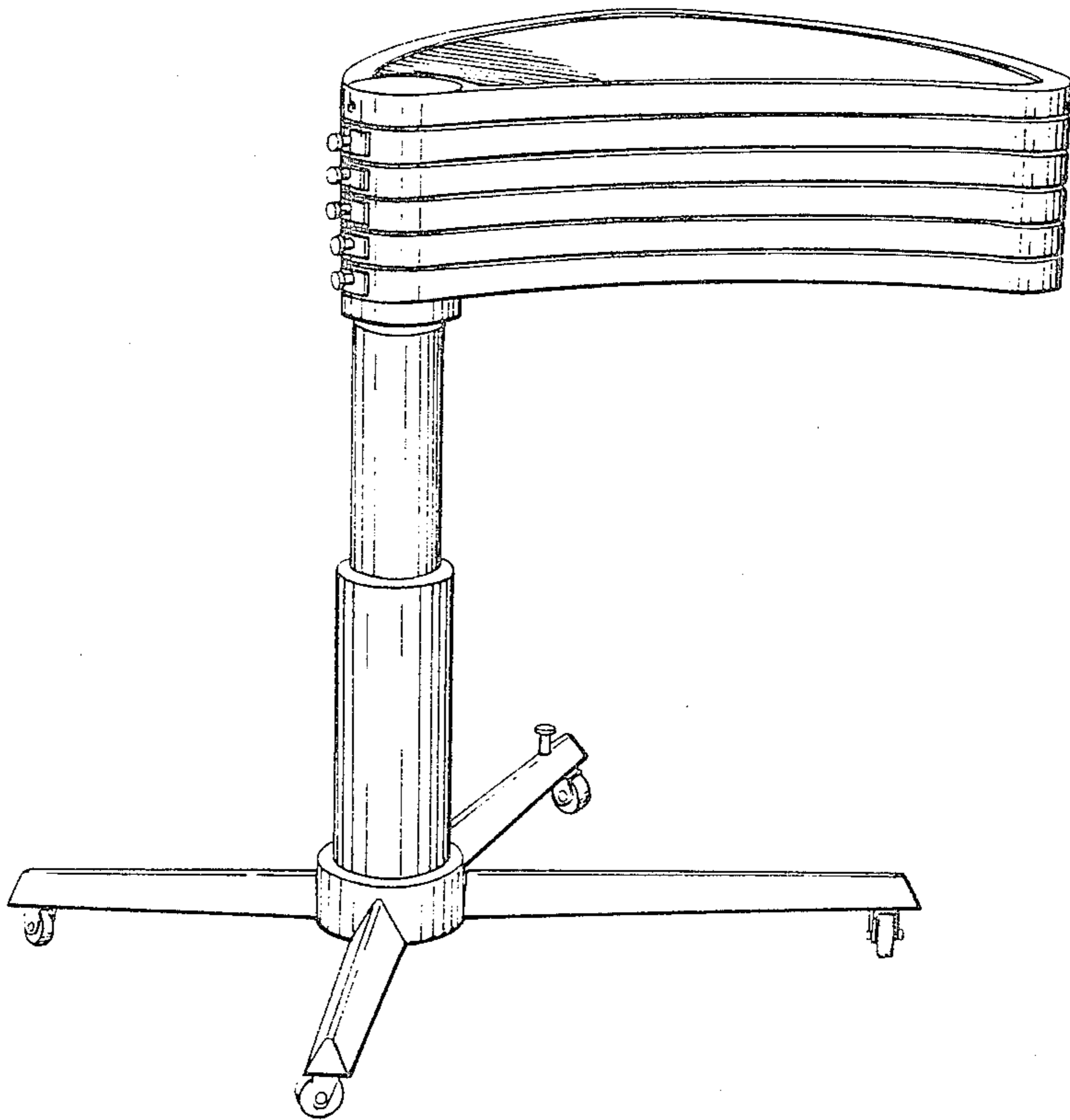


Fig.12

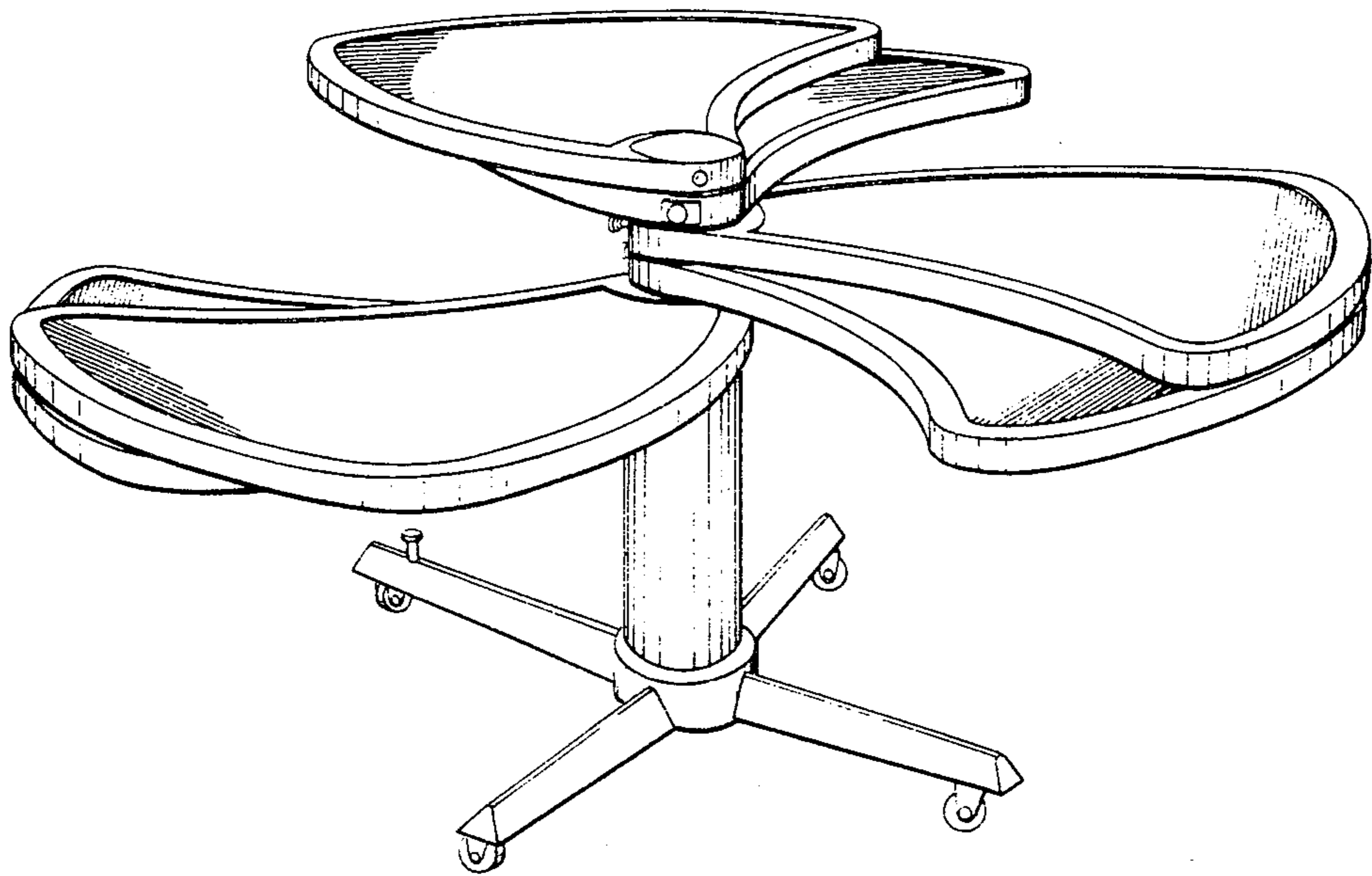


Fig.13

